

US00D968247S

(12) **United States Design Patent** (10) **Patent No.:** **US D968,247 S**
Takagi (45) **Date of Patent:** **** Nov. 1, 2022**

(54) **BANKNOTE COUNTING MACHINES**

G07D 7/2091; G07D 2207/00; G07D 2211/00; G07D 11/50

(71) Applicant: **BILLCON CORPORATION**,
Kawasaki (JP)

See application file for complete search history.

(72) Inventor: **Yoshikazu Takagi**, Kawasaki (JP)

(56) **References Cited**

(73) Assignee: **BILLCON CORPORATION**,
Kawasaki (JP)

U.S. PATENT DOCUMENTS

(**) Term: **15 Years**

- D369,984 S * 5/1996 Larsen G07D 7/17 D10/97
- D457,554 S * 5/2002 Takagi D18/3.3
- 7,817,842 B2 * 10/2010 Mennie G07D 7/17 382/137
- D676,343 S * 2/2013 Shih D10/97
- D676,344 S * 2/2013 Shih D10/97

(21) Appl. No.: **29/700,526**

(22) Filed: **Aug. 2, 2019**

(Continued)

(30) **Foreign Application Priority Data**

Primary Examiner — Antoine Duval Davis

Mar. 14, 2019 (JP) 2019-005392

(74) *Attorney, Agent, or Firm* — Birch, Stewart, Kolasch & Birch, LLP

(51) **LOC (13) Cl.** **10-04**

(57) **CLAIM**

(52) **U.S. Cl.**

The ornamental design for banknote counting machines, as shown and described.

USPC **D10/97; D18/3.3**

(58) **Field of Classification Search**

DESCRIPTION

USPC D10/97; D18/3.1, 3.2, 3.3

CPC G06M 7/00; G07D 7/00; G07D 7/003;

G07D 7/0032; G07D 7/0034; G07D

7/004; G07D 7/0043; G07D 7/0047;

G07D 7/005; G07D 7/0051; G07D

7/0053; G07D 7/0054; G07D 7/0055;

G07D 7/0056; G07D 7/0057; G07D 7/01;

G07D 7/02; G07D 7/023; G07D 7/026;

G07D 7/04; G07D 7/06; G07D 7/08;

G07D 7/10; G07D 7/12; G07D 7/1205;

G07D 7/121; G07D 7/128; G07D 7/14;

G07D 7/15; G07D 7/16; G07D 7/162;

G07D 7/164; G07D 7/17; G07D 7/181;

G07D 7/182; G07D 7/183; G07D 7/184;

G07D 7/185; G07D 7/187; G07D 7/189;

G07D 7/20; G07D 7/2008; G07D 7/2016;

G07D 7/202; G07D 7/2033; G07D

7/2041; G07D 7/205; G07D 7/206; G07D

7/207; G07D 7/2075; G07D 7/2083;

FIG. 1 is a front perspective view of the banknote counting machines;

FIG. 2 is a front elevational view of the banknote counting machines;

FIG. 3 is a rear elevational view of the banknote counting machines;

FIG. 4 is a top plan view of the banknote counting machines;

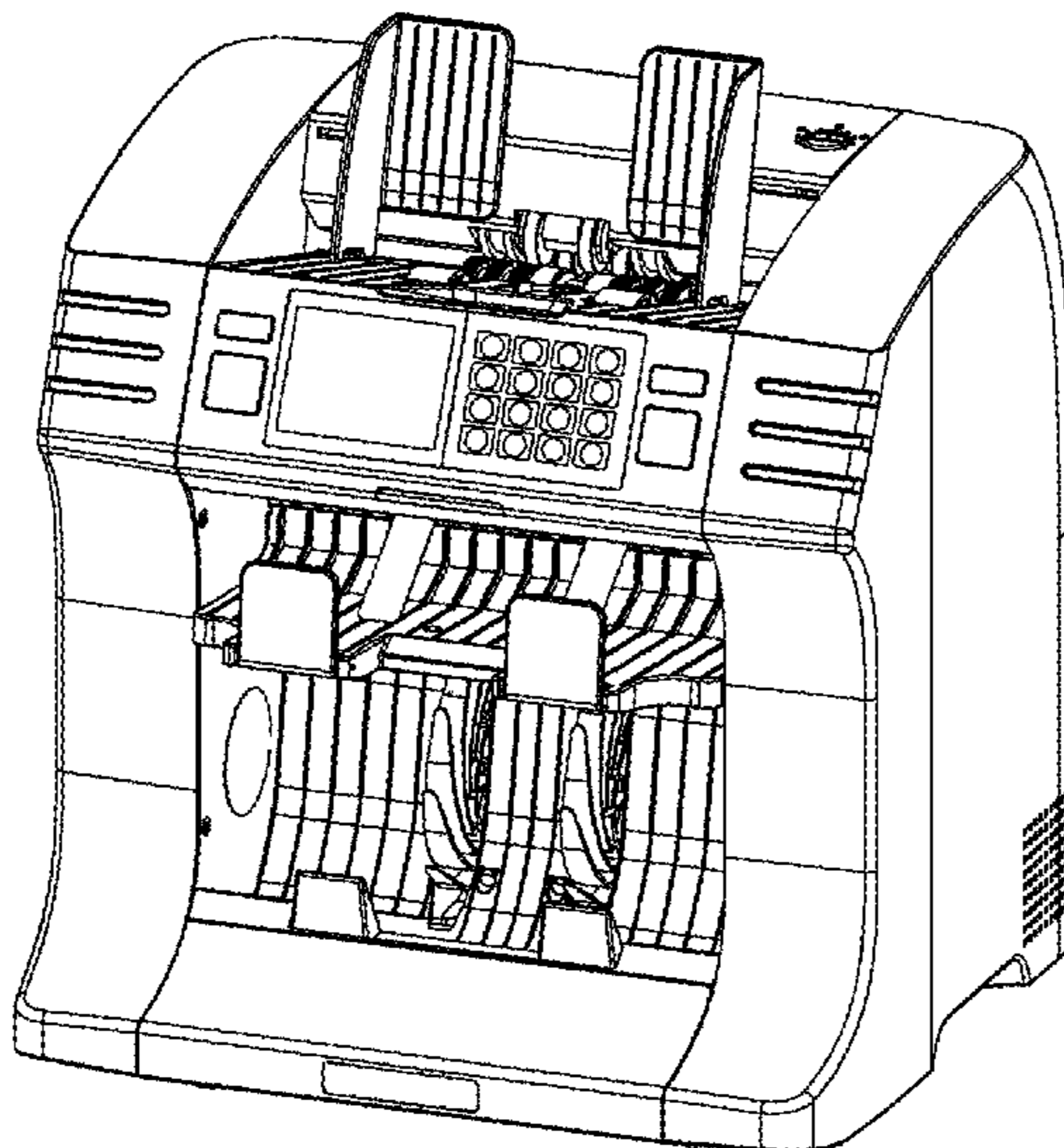
FIG. 5 is a bottom plan view of the banknote counting machines;

FIG. 6 is a right side elevational view of the banknote counting machines; and,

FIG. 7 is a left side elevational view of the banknote counting machines.

The broken line showing of structural features is included for the purpose of illustrating non-claimed subject matter and forms no part of the claimed design.

1 Claim, 6 Drawing Sheets



(56)

References Cited

U.S. PATENT DOCUMENTS

D677,593	S	*	3/2013	Shih	D10/97
D767,668	S	*	9/2016	van Slooten	D18/3.3
D855,103	S	*	7/2019	van Slooten	D10/97
D886,187	S	*	6/2020	Bausback	D18/3.3

* cited by examiner

FIG. 1

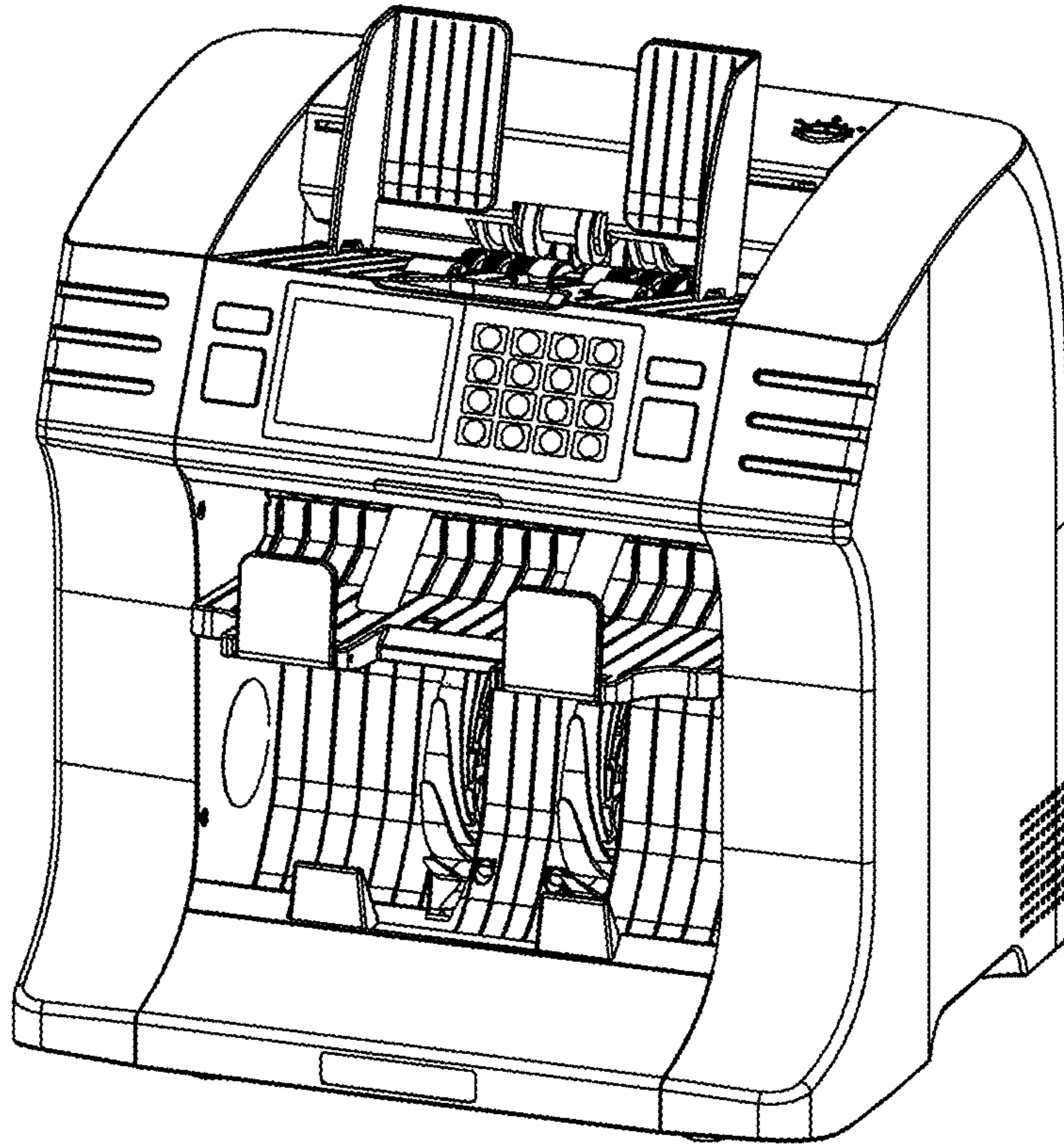
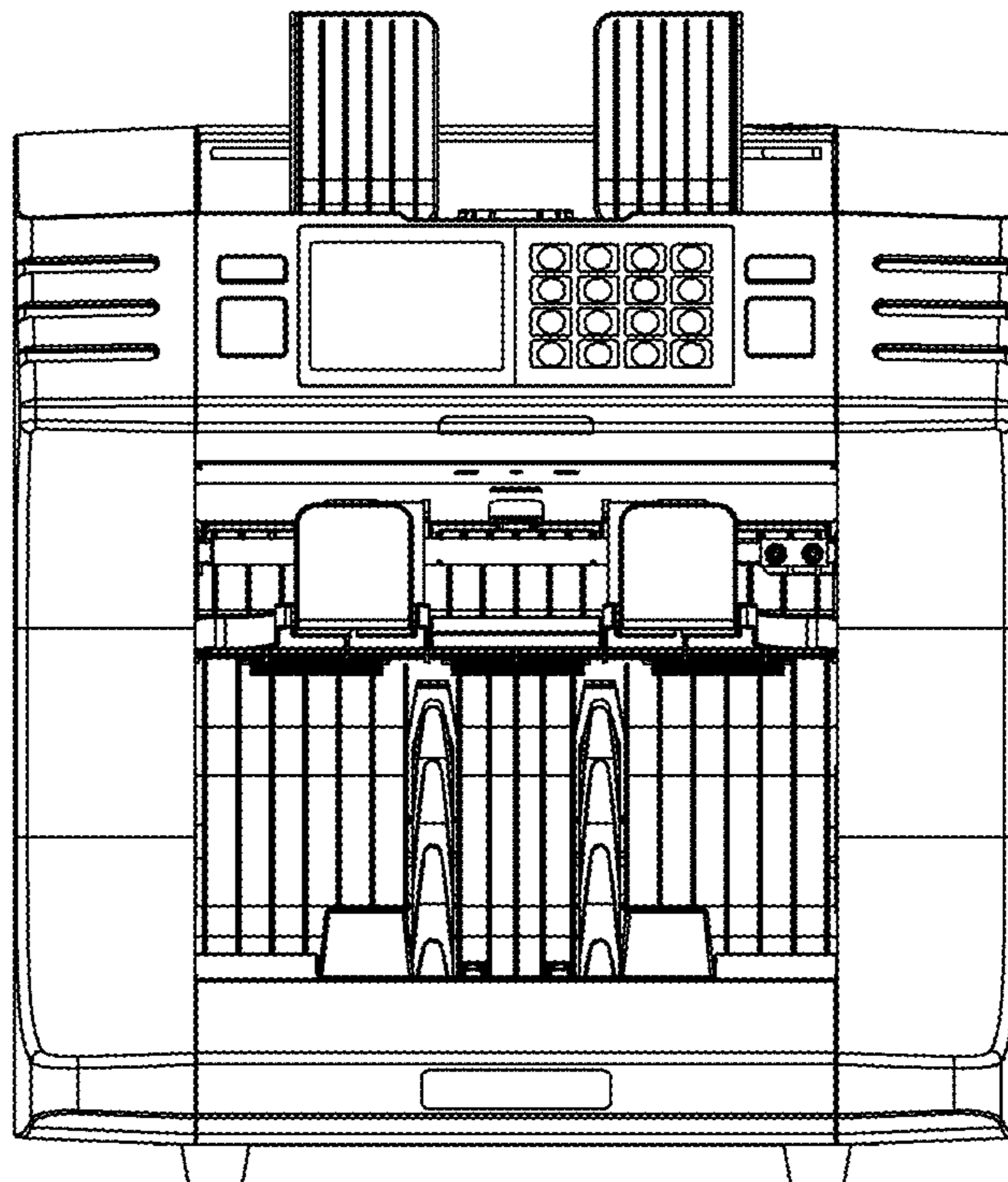


FIG. 2



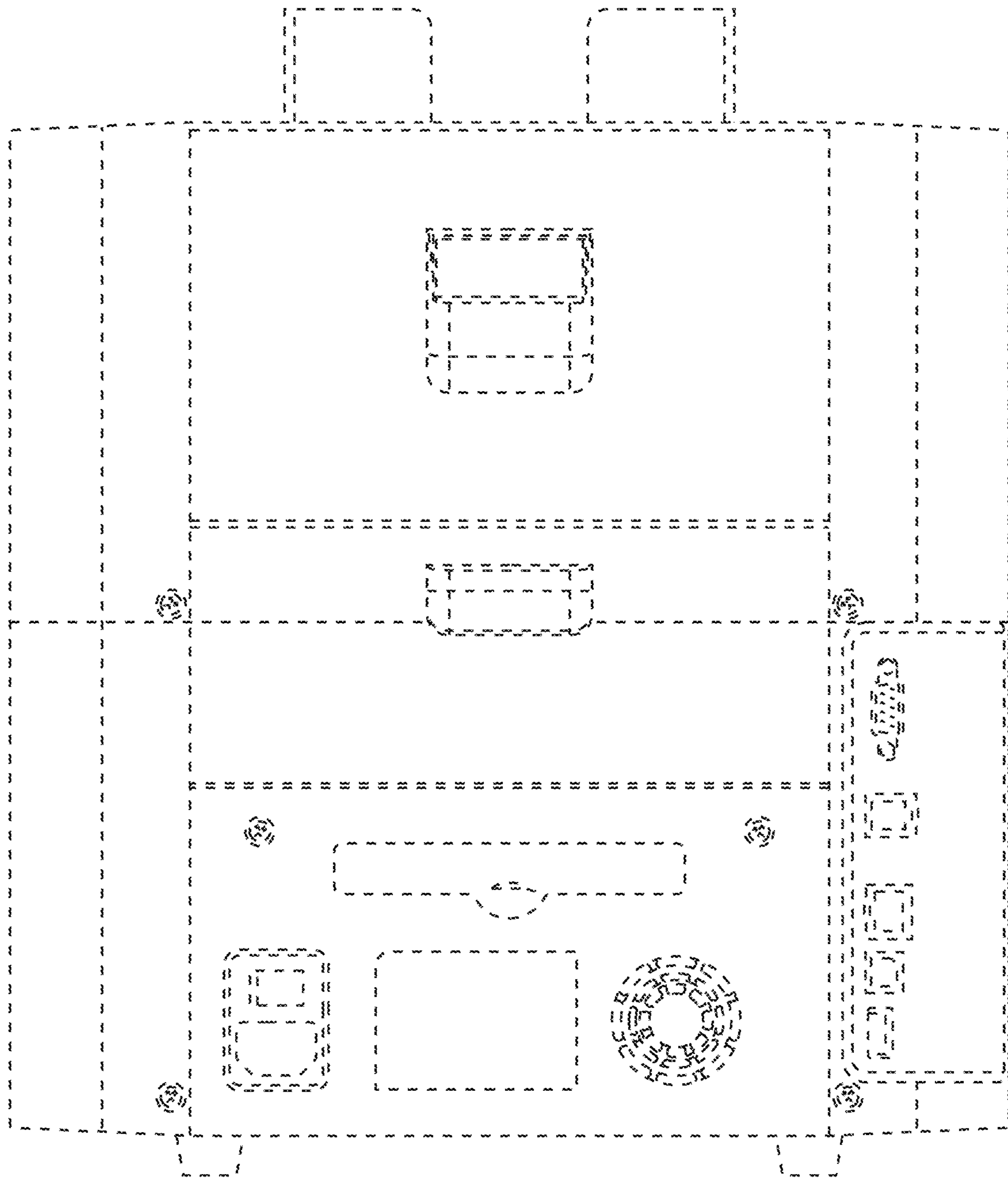
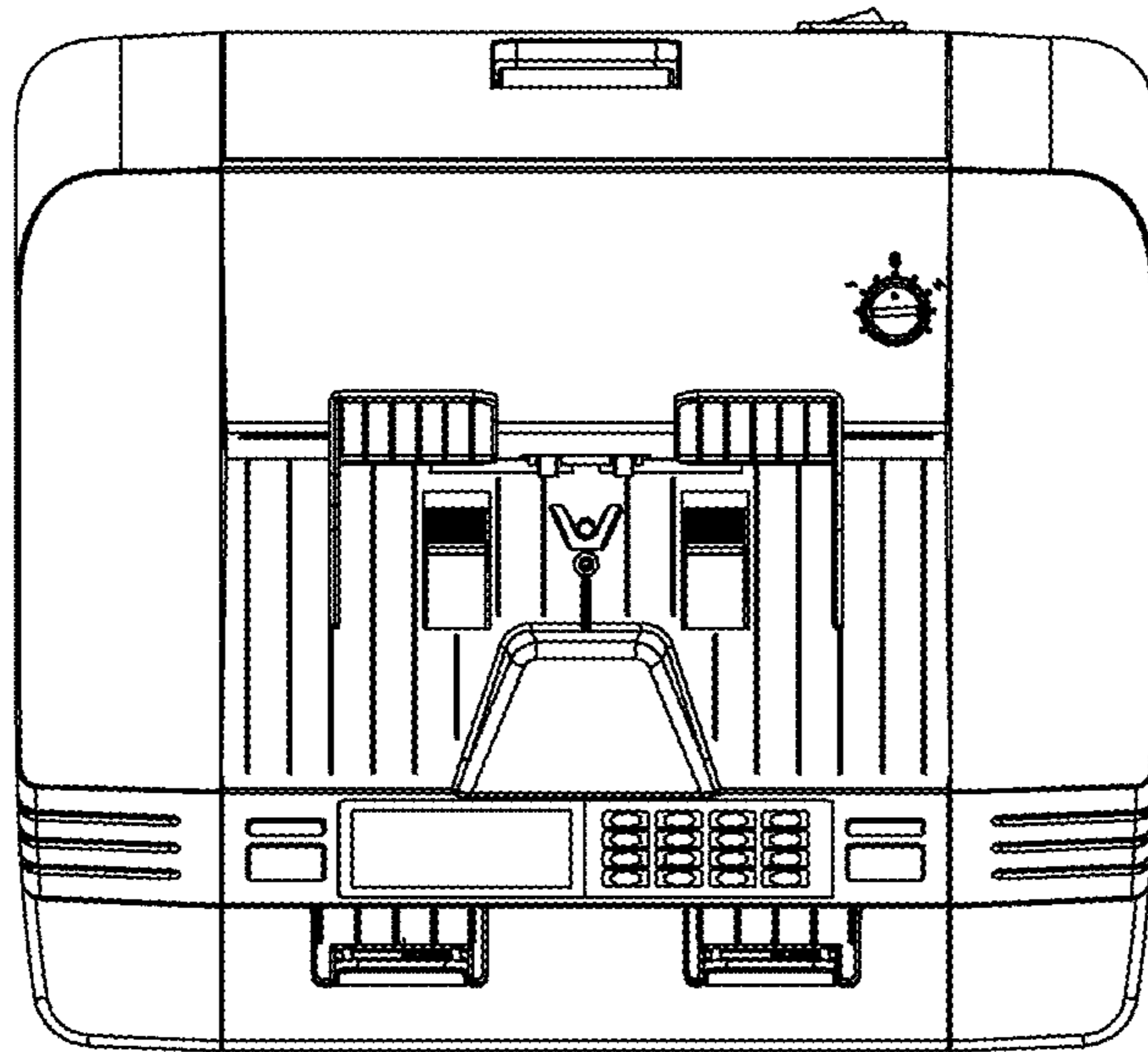


FIG. 3

FIG. 4



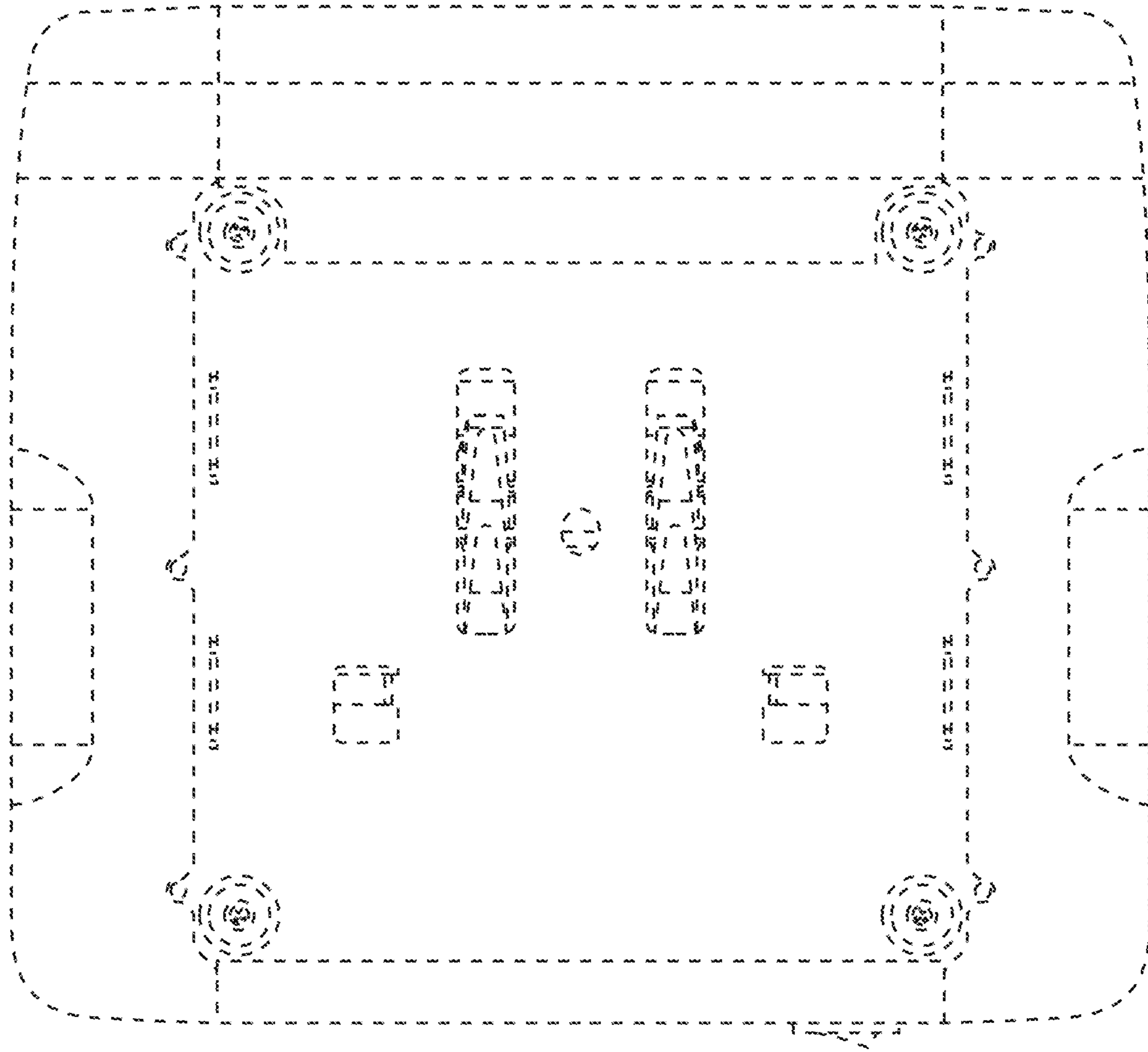


FIG. 5

FIG. 6

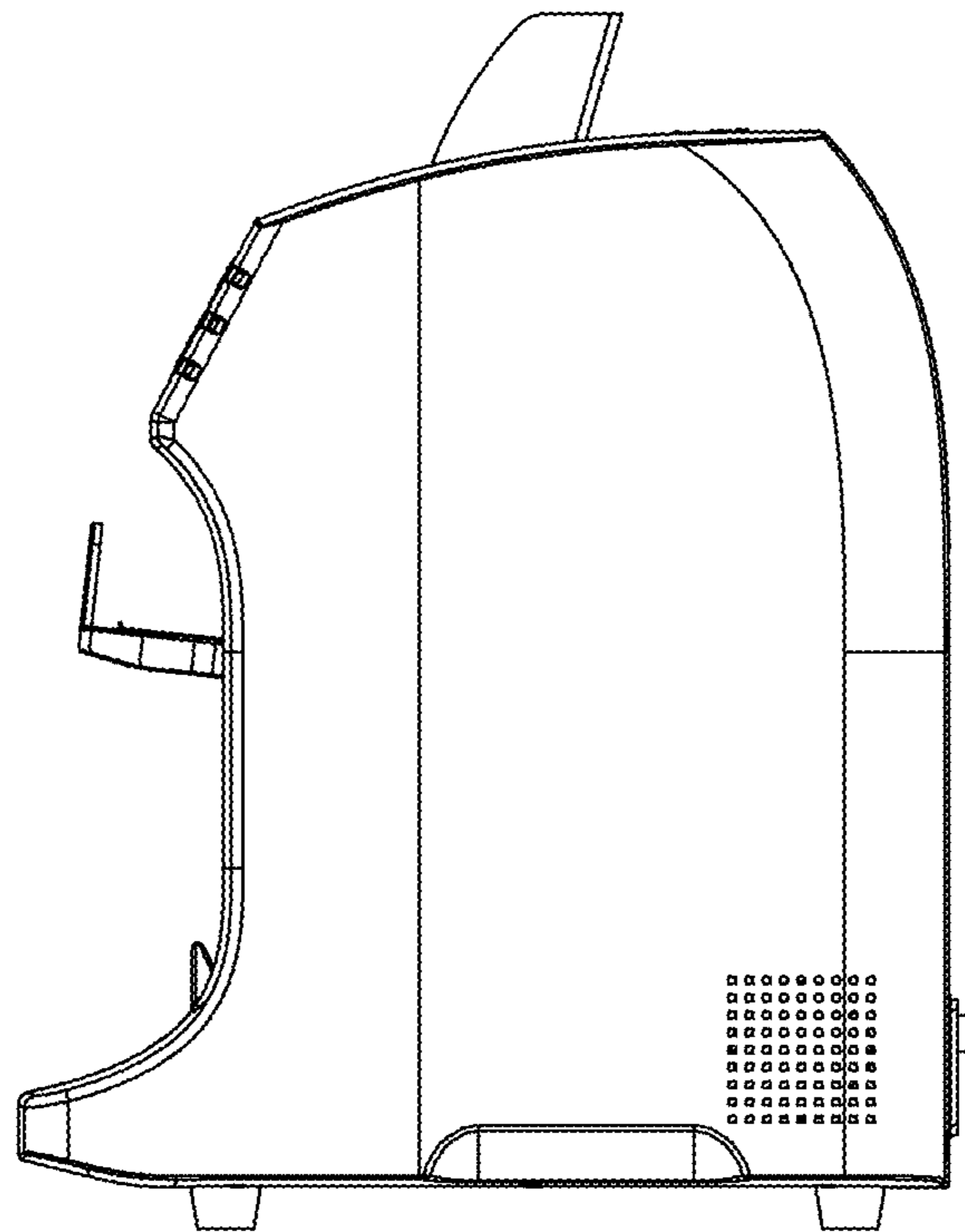


FIG. 7

