



US00D968246S

(12) **United States Design Patent**
Xie

(10) **Patent No.:** **US D968,246 S**

(45) **Date of Patent:** **** Nov. 1, 2022**

(54) **MULTIMETER**

(71) Applicant: **Shenzhen Jiawei Hengxin Technology Co., Ltd**, Shenzhen (CN)

(72) Inventor: **Zuce Xie**, Shenzhen (CN)

(**) Term: **15 Years**

(21) Appl. No.: **29/770,299**

(22) Filed: **Feb. 11, 2021**

(51) **LOC (13) Cl.** **10-04**

(52) **U.S. Cl.**
USPC **D10/78**

(58) **Field of Classification Search**
USPC D10/78
CPC G01R 1/06788; G01R 1/22; G01R 1/04;
G01R 15/125; G01R 15/181; G01R 15/186; G01R 15/12; G01R 15/04; G01R 15/06; G01R 19/2503; G01R 1/20; G01R 1/203; G01R 1/206; G01R 1/24; G01R 1/26; G01R 31/3278; G01D 11/24; G01D 11/245; G01D 11/26; G06F 17/00

See application file for complete search history.

(56) **References Cited**

U.S. PATENT DOCUMENTS

D510,287 S * 10/2005 Chen D10/78
D629,318 S * 12/2010 Disch D10/78

D853,258 S * 7/2019 Xiaohong D10/78
D869,306 S * 12/2019 Brockman D10/78
D926,609 S * 8/2021 Xie D10/78

* cited by examiner

Primary Examiner — Antoine Duval Davis

(74) *Attorney, Agent, or Firm* — Prakash Nama; Global IP Services, PLLC

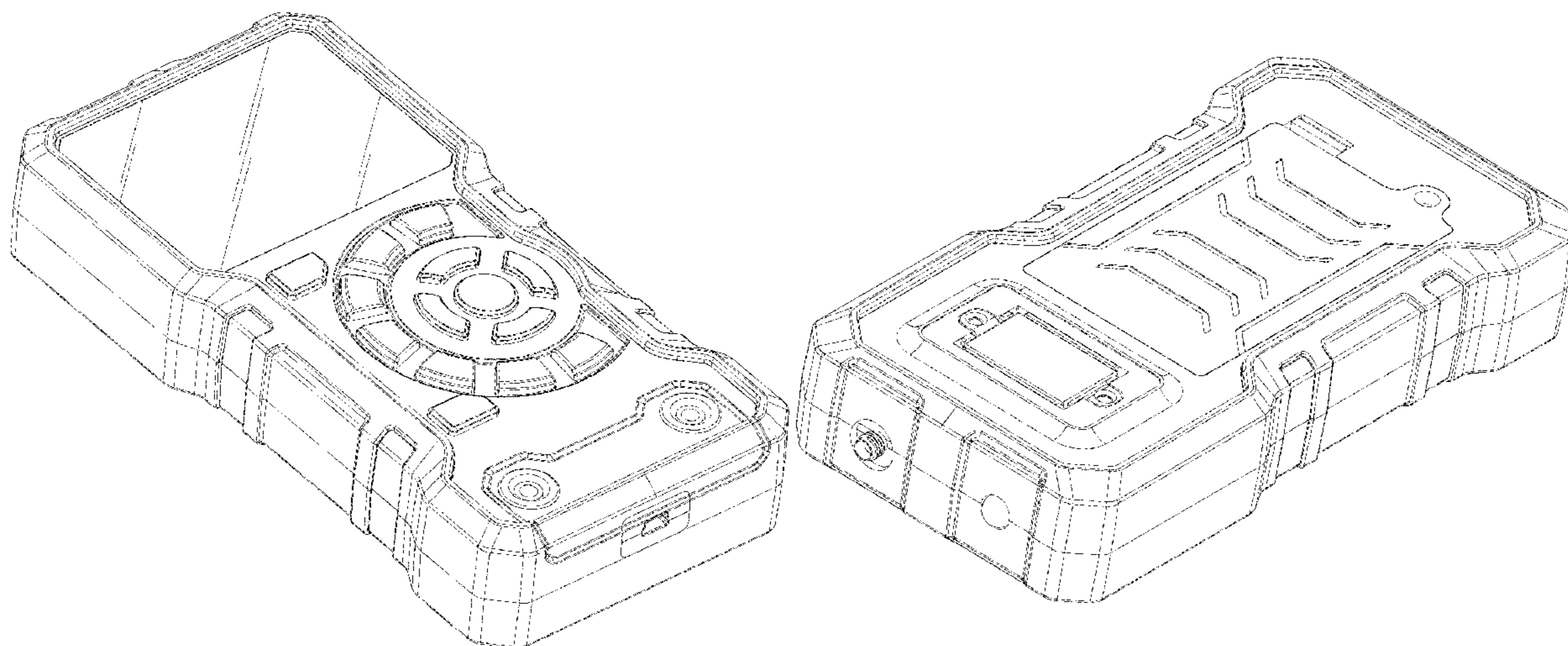
(57) **CLAIM**

The ornamental design for a multimeter, as shown.

DESCRIPTION

FIG. 1 is a front elevational view of a multimeter showing my new design;
FIG. 2 is a rear elevational view thereof;
FIG. 3 is a left side view thereof;
FIG. 4 is a right side view thereof;
FIG. 5 is a top plan view thereof;
FIG. 6 is a bottom plan view thereof;
FIG. 7 is a perspective view thereof; and,
FIG. 8 is another perspective view thereof.

1 Claim, 7 Drawing Sheets



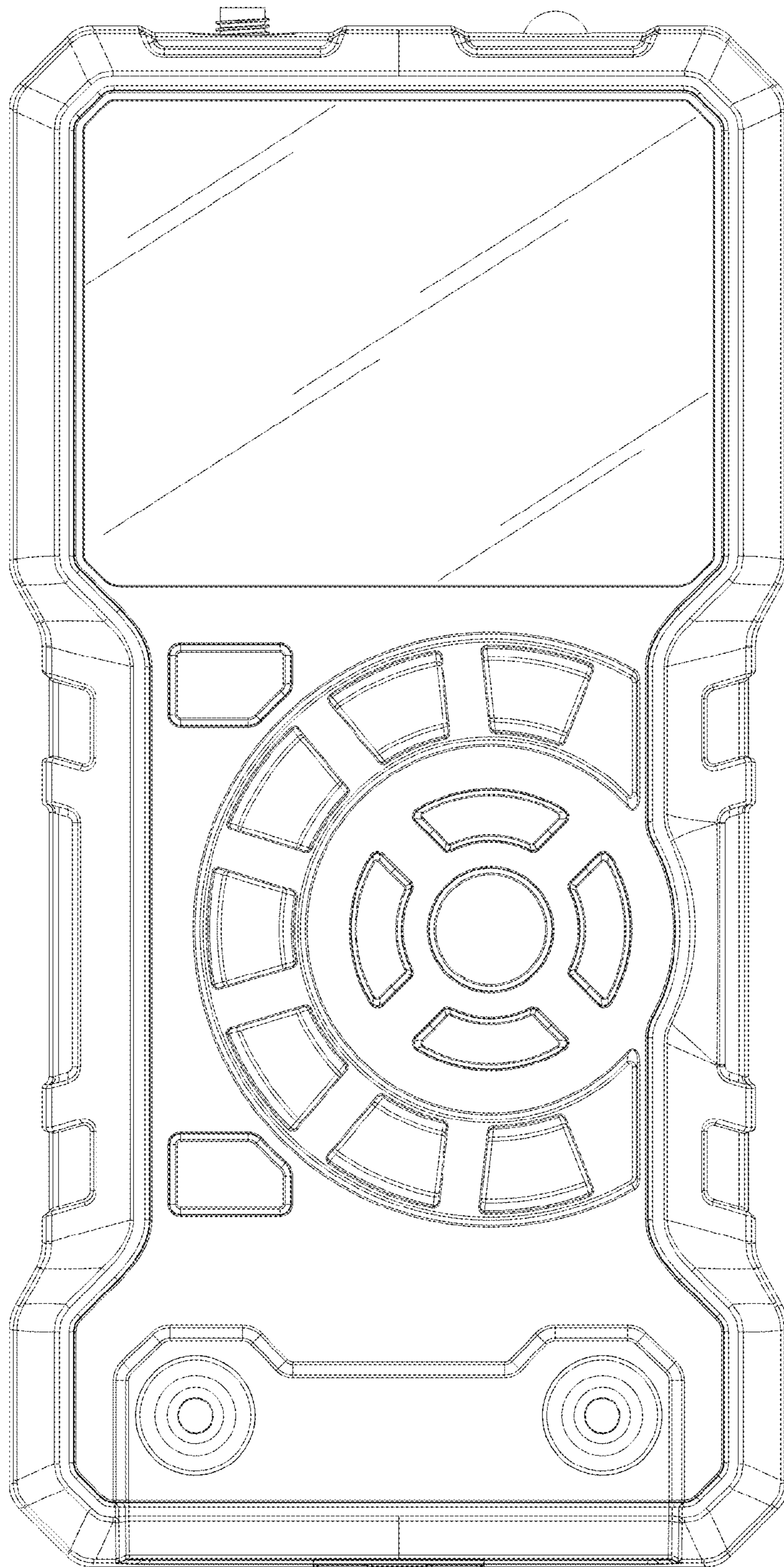


FIG. 1

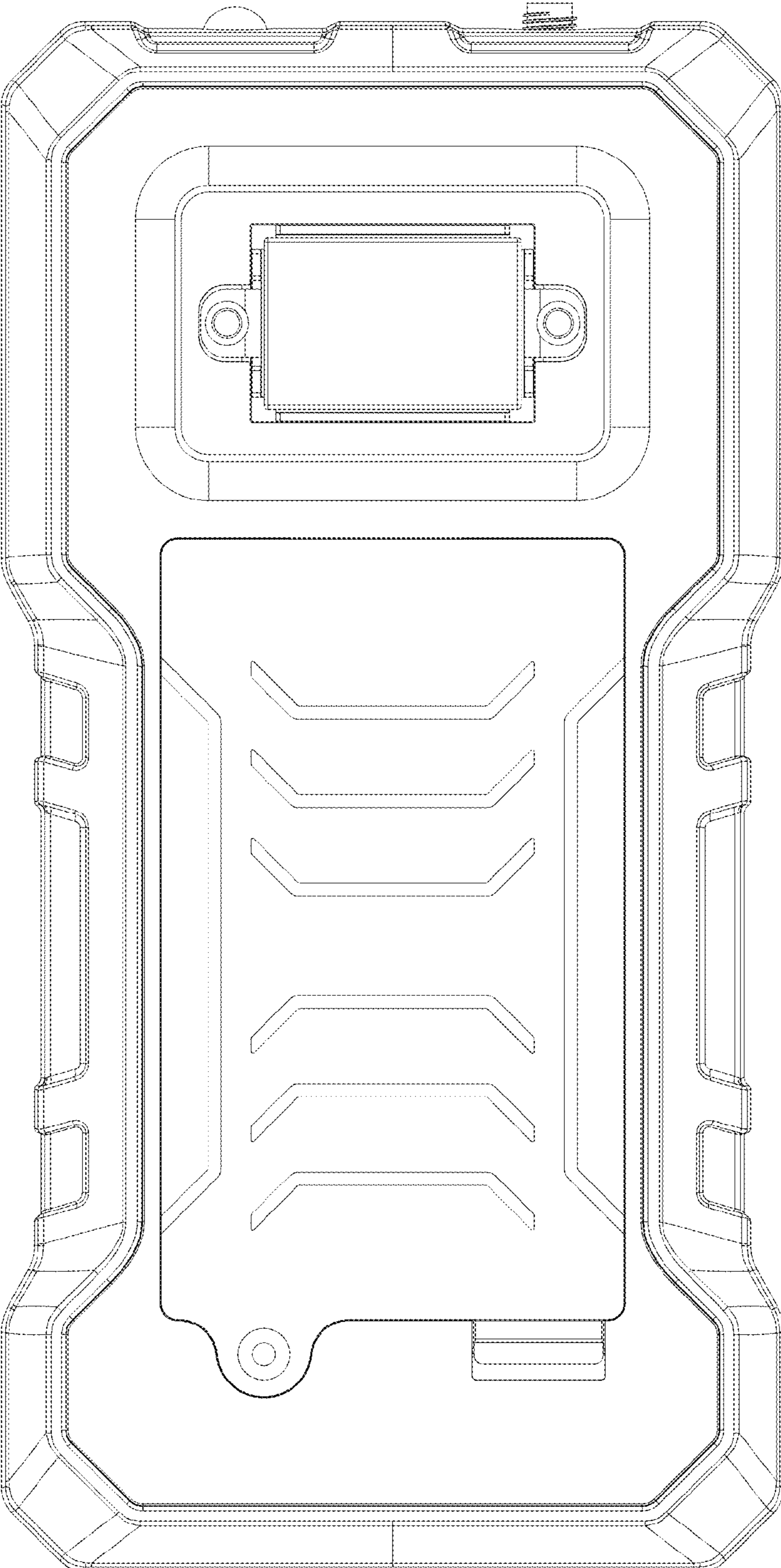


FIG. 2

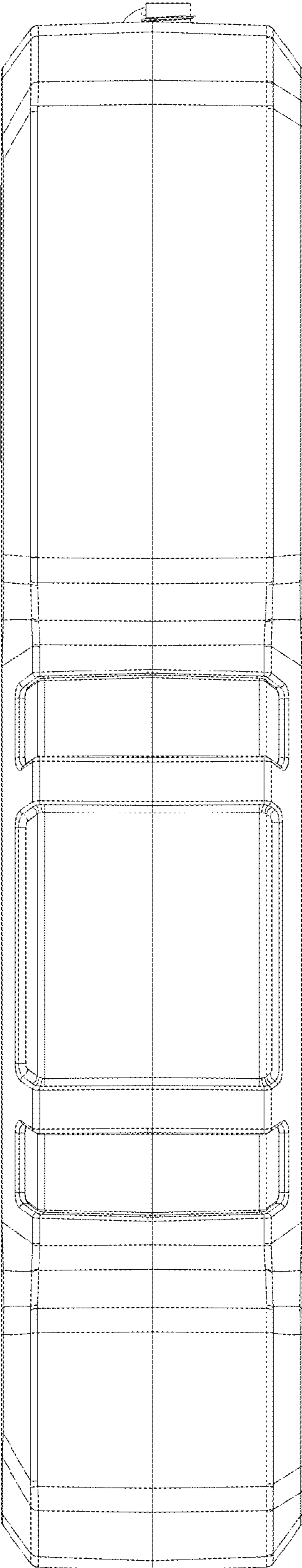


FIG. 3

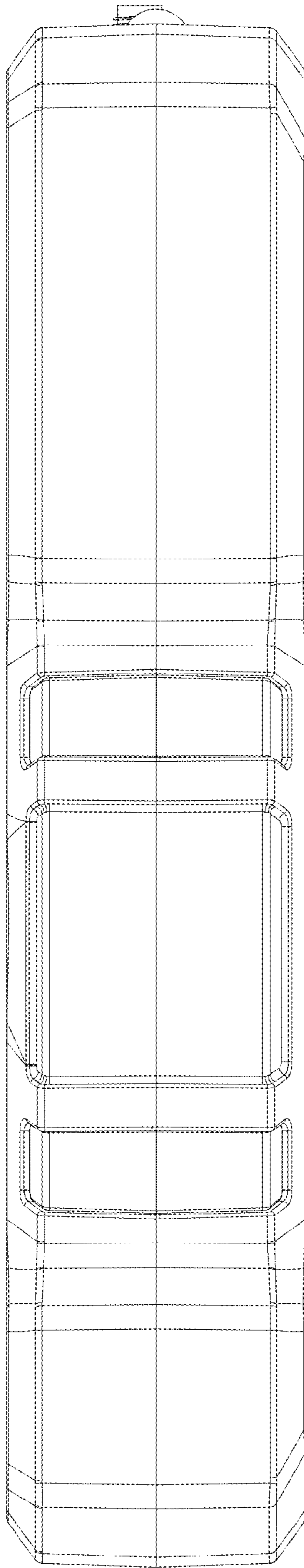


FIG. 4

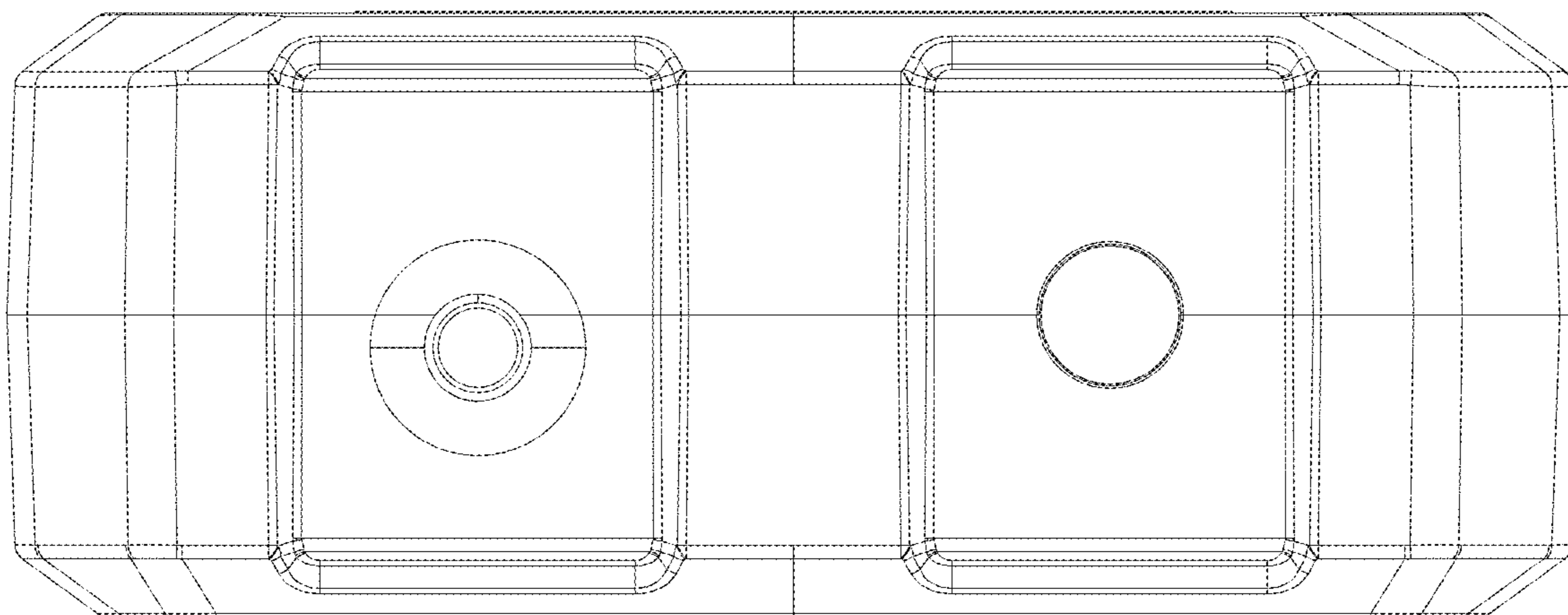


FIG. 5

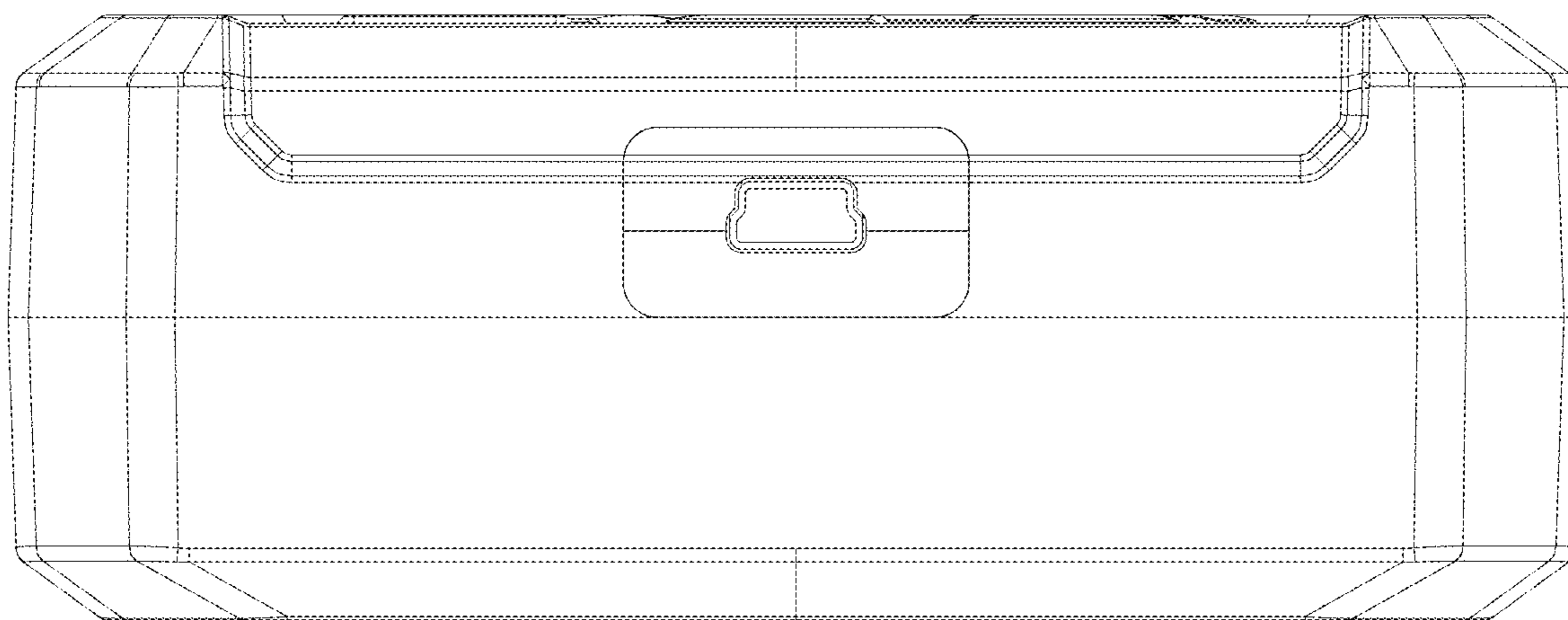


FIG. 6

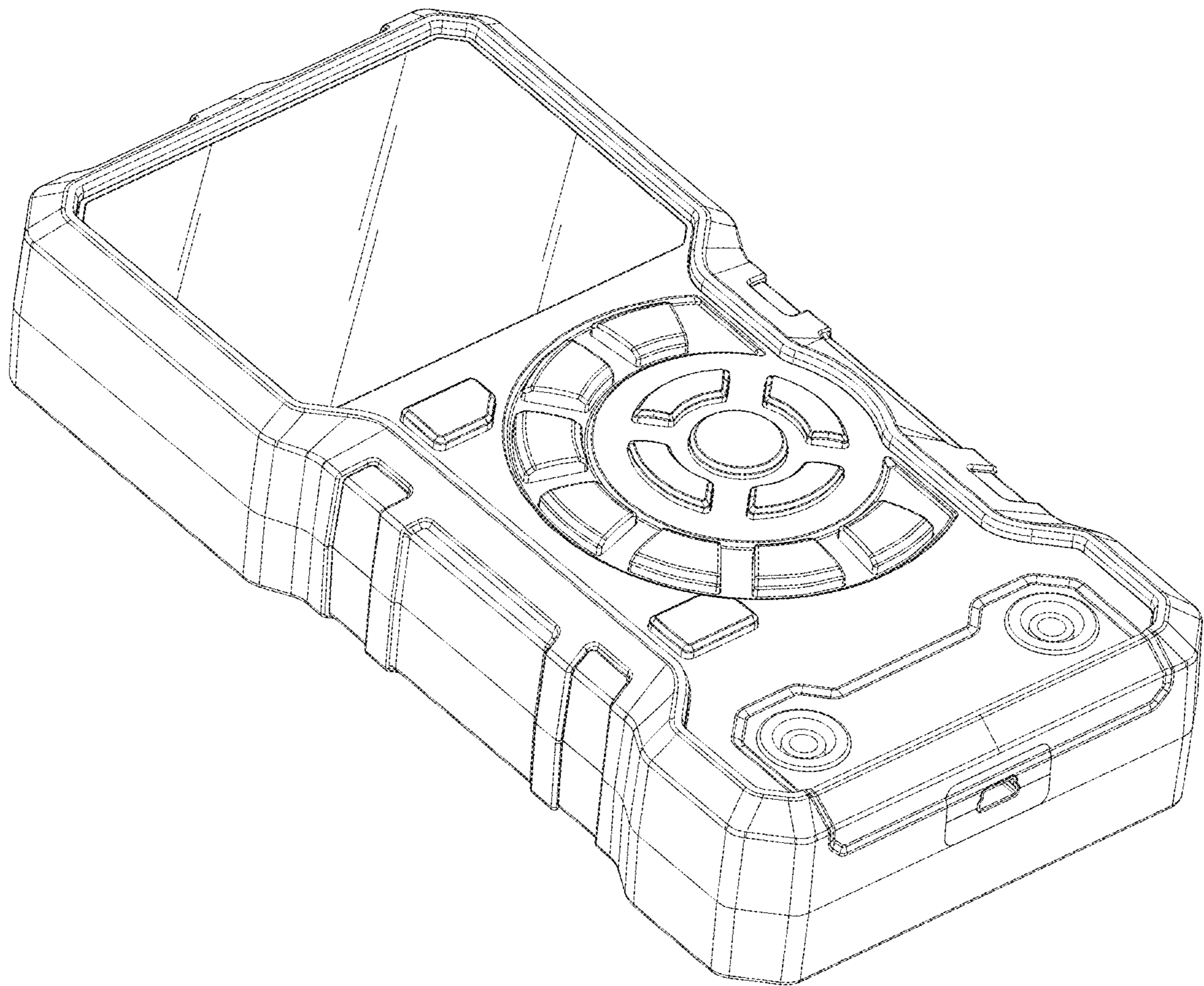


FIG. 7

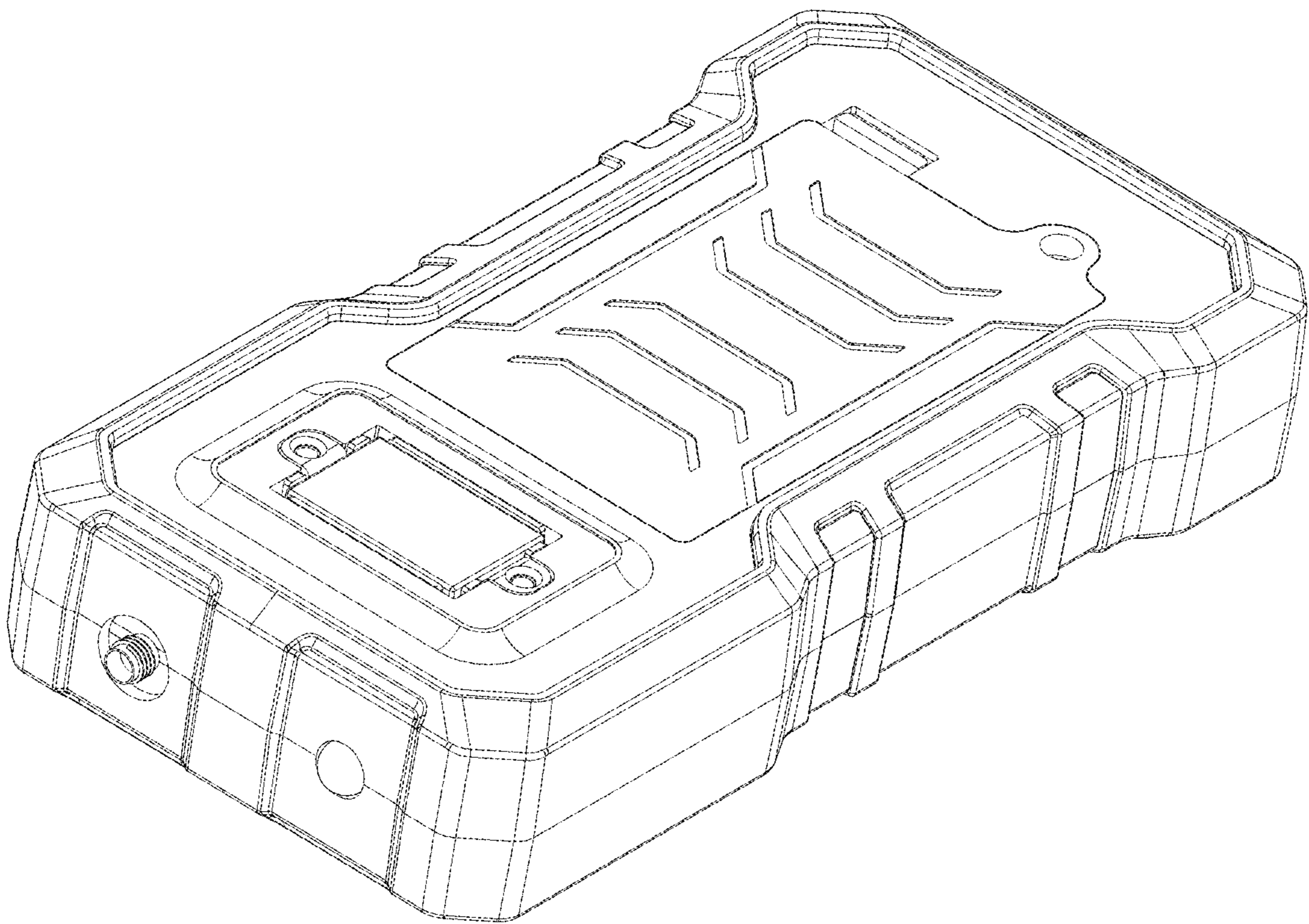


FIG. 8