



US00D968245S

(12) **United States Design Patent**
Yang et al.

(10) **Patent No.:** **US D968,245 S**
(45) **Date of Patent:** **** Nov. 1, 2022**

(54) **SMART MULTIMETER**

(71) Applicant: **Dongguan Habotest Instrument Technology Co., Ltd., Dongguan (CN)**

(72) Inventors: **Xiaofeng Yang, Dongguan (CN);
Fayou Li, Dongguan (CN)**

(73) Assignee: **Dongguan Habotest Instrument Technology Co., Ltd., Dongguan (CN)**

(**) Term: **15 Years**

(21) Appl. No.: **29/763,236**

(22) Filed: **Dec. 22, 2020**

(30) **Foreign Application Priority Data**

Nov. 26, 2020 (CN) 202030722567.6

(51) **LOC (13) Cl.** **10-04**

(52) **U.S. Cl.**
USPC **D10/78**

(58) **Field of Classification Search**
USPC D10/78
CPC G01R 1/06788; G01R 1/22; G01R 1/04;
G01R 15/125; G01R 15/181; G01R
15/186; G01R 15/12; G01R 15/04; G01R
15/06; G01R 19/2503; G01R 1/20; G01R
1/203; G01R 1/206; G01R 1/24; G01R
1/26; G01R 31/3278; G01D 11/24; G01D
11/245; G01D 11/26; G06F 17/00

See application file for complete search history.

(56) **References Cited**

U.S. PATENT DOCUMENTS

D332,227 S * 1/1993 Kaneko D10/78
D501,145 S * 1/2005 Bras D10/78
D939,368 S * 12/2021 Lu D10/78
2018/0108502 A1 * 4/2018 Tan H02J 7/00

* cited by examiner

Primary Examiner — Antoine Duval Davis

(74) *Attorney, Agent, or Firm* — Andrew C. Cheng

(57) **CLAIM**

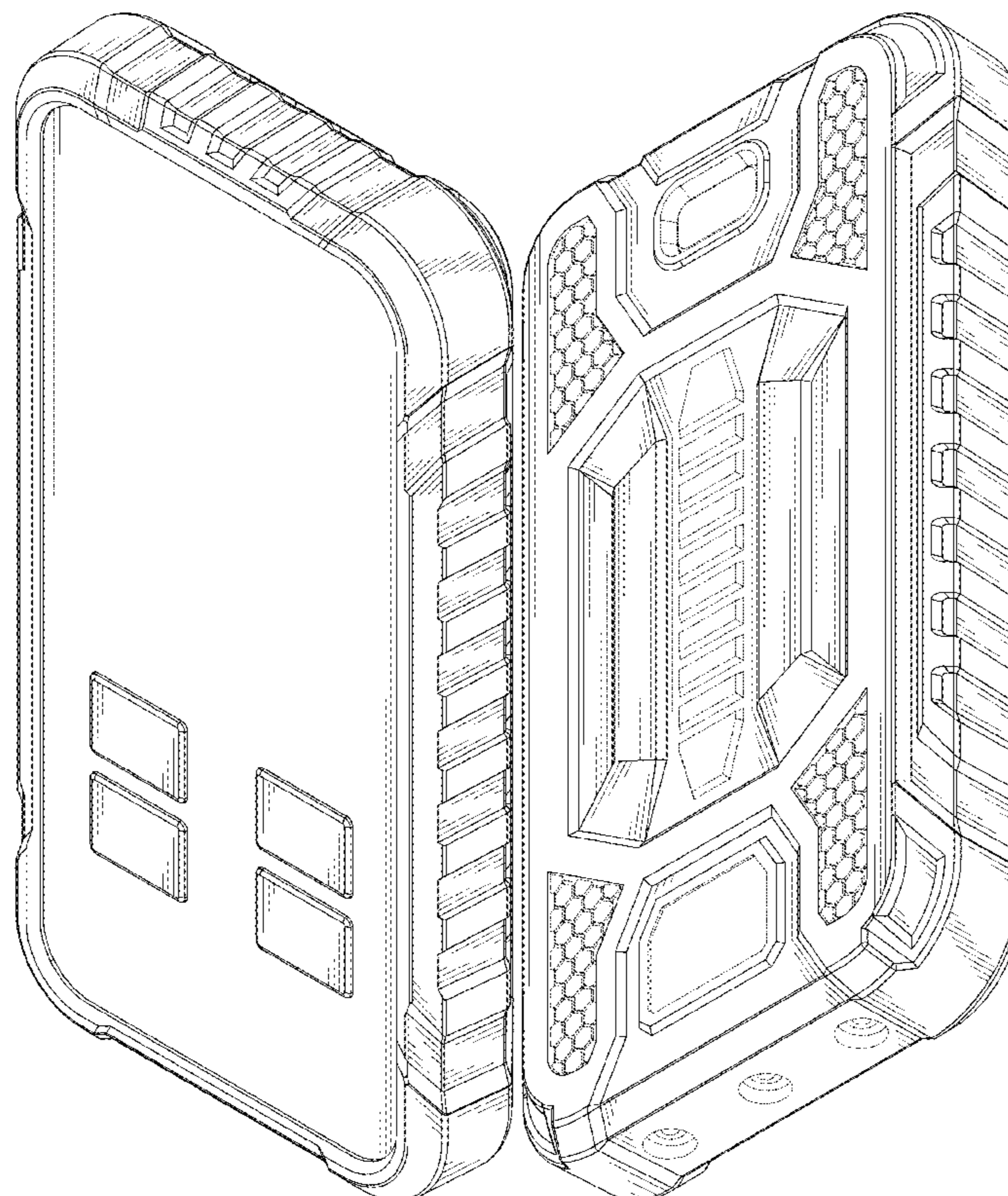
We claim the ornamental design for a smart multimeter, as shown and described.

DESCRIPTION

FIG. 1 is a first perspective view of a smart multimeter showing our new design;
FIG. 2 is a second perspective view of FIG. 1, viewed in another aspect;
FIG. 3 is a front view thereof;
FIG. 4 is a rear view thereof;
FIG. 5 is a left side view thereof;
FIG. 6 is a right side view thereof;
FIG. 7 is a top view thereof; and,
FIG. 8 is a bottom view thereof.

The broken line showing of the environment is for illustrative purposes only and forms no part of the claimed design.

1 Claim, 6 Drawing Sheets



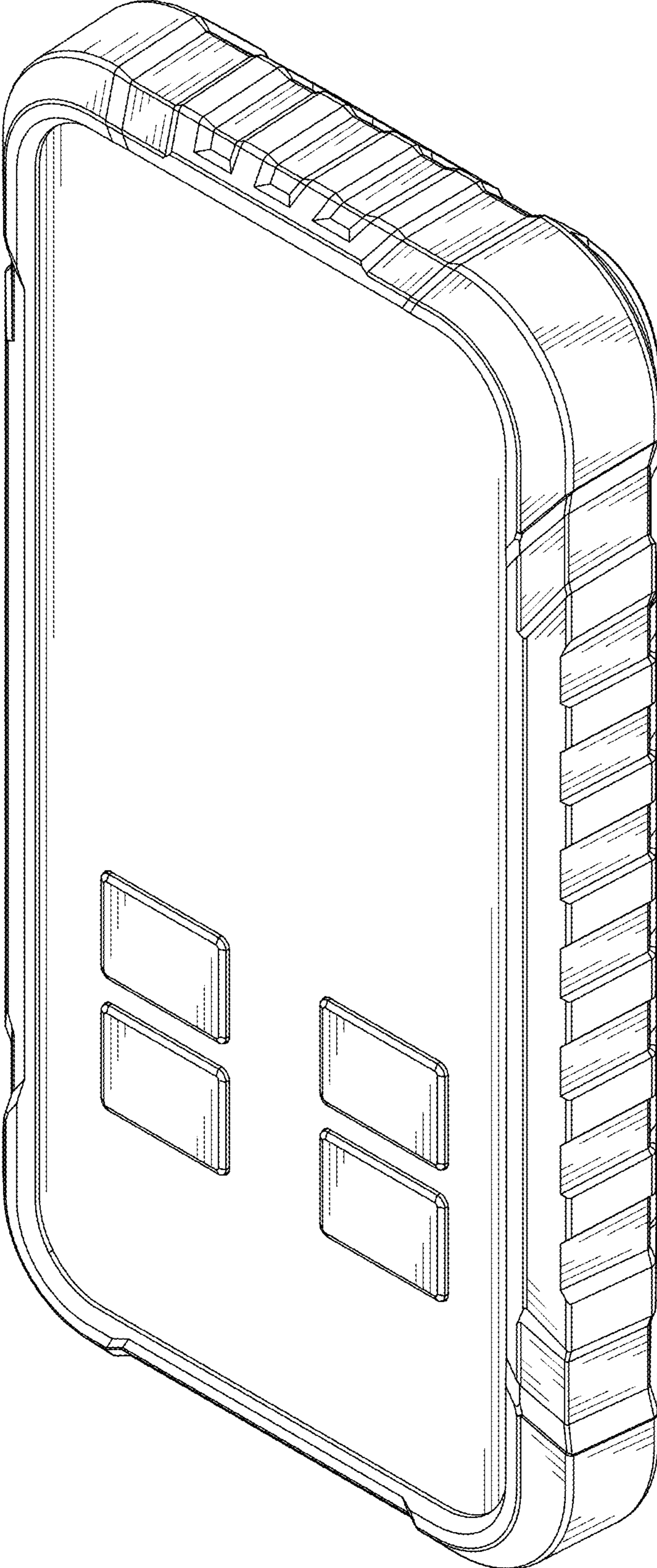


FIG. 1

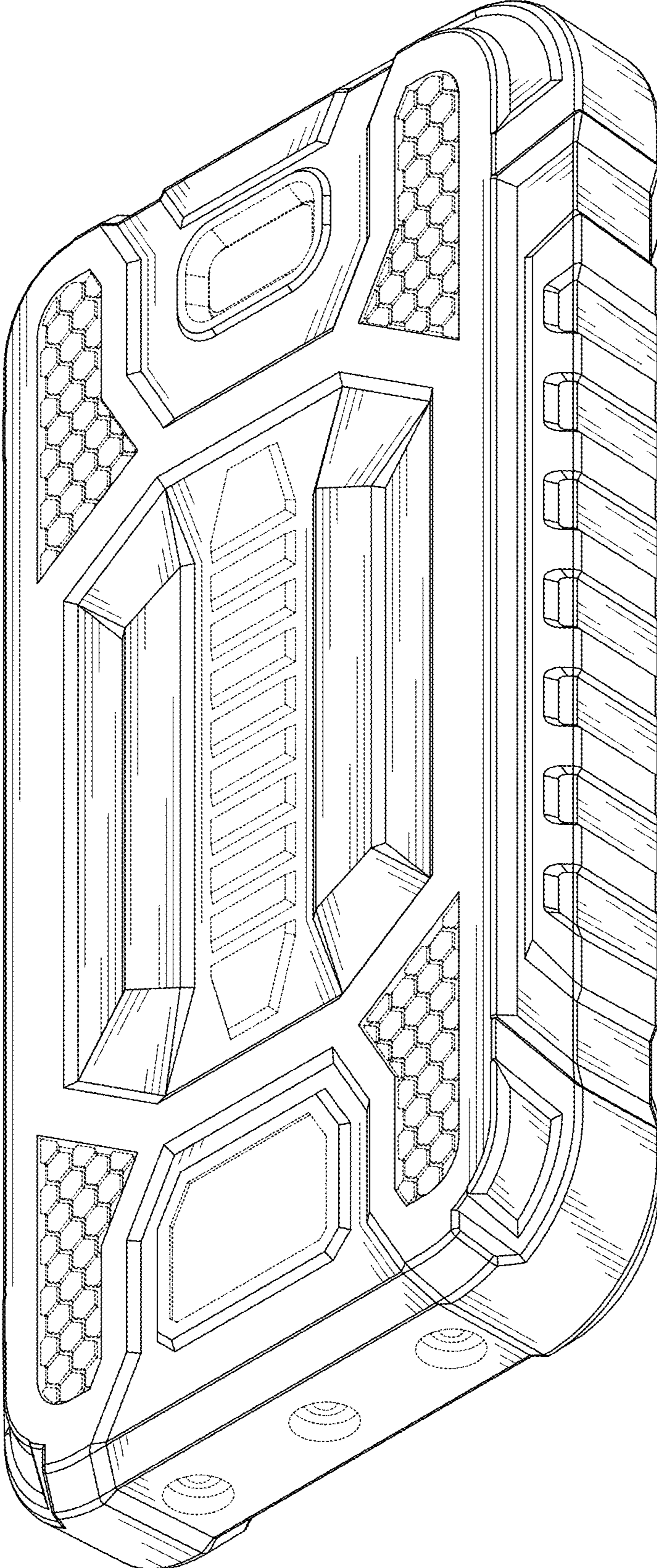


FIG. 2

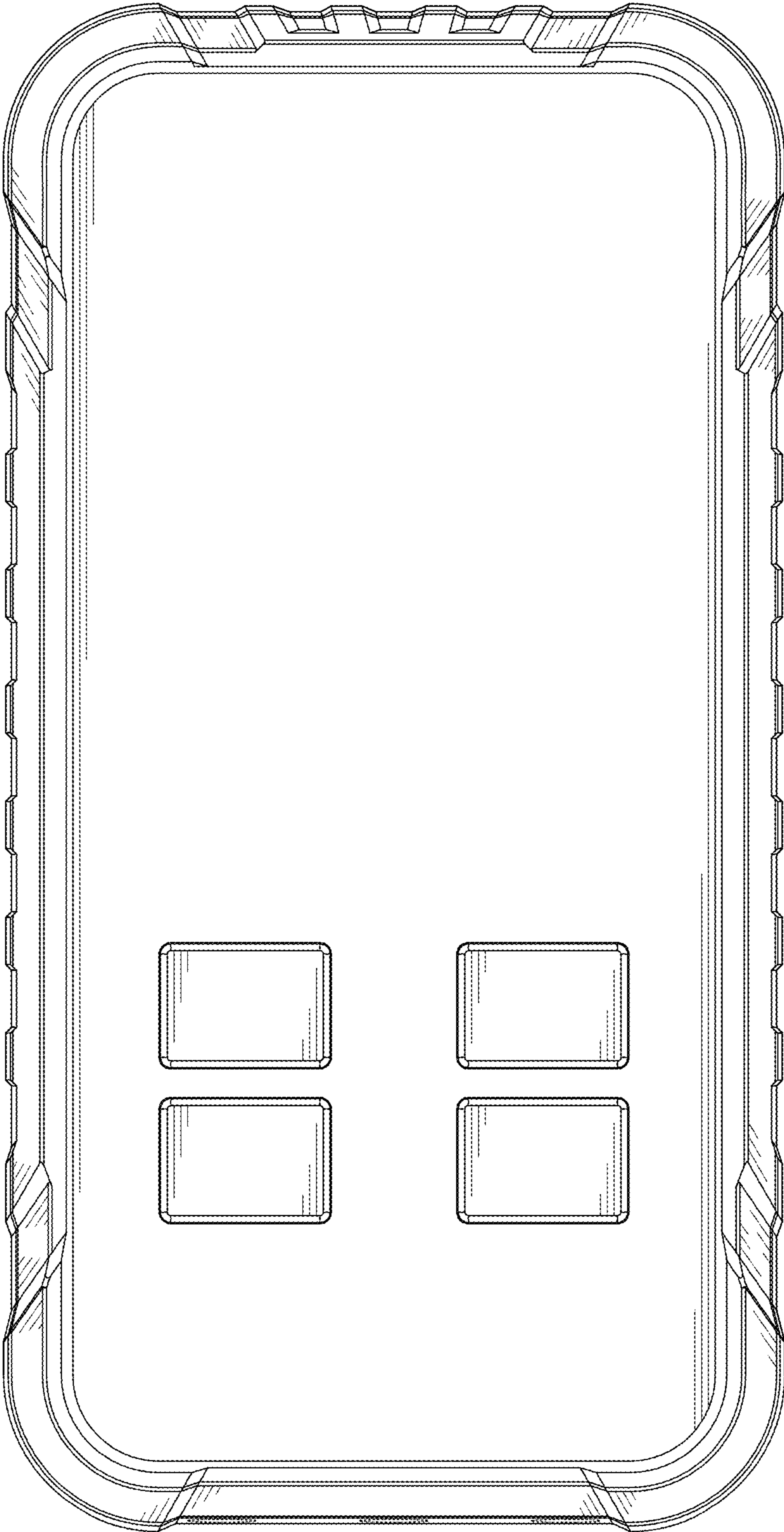


FIG. 3

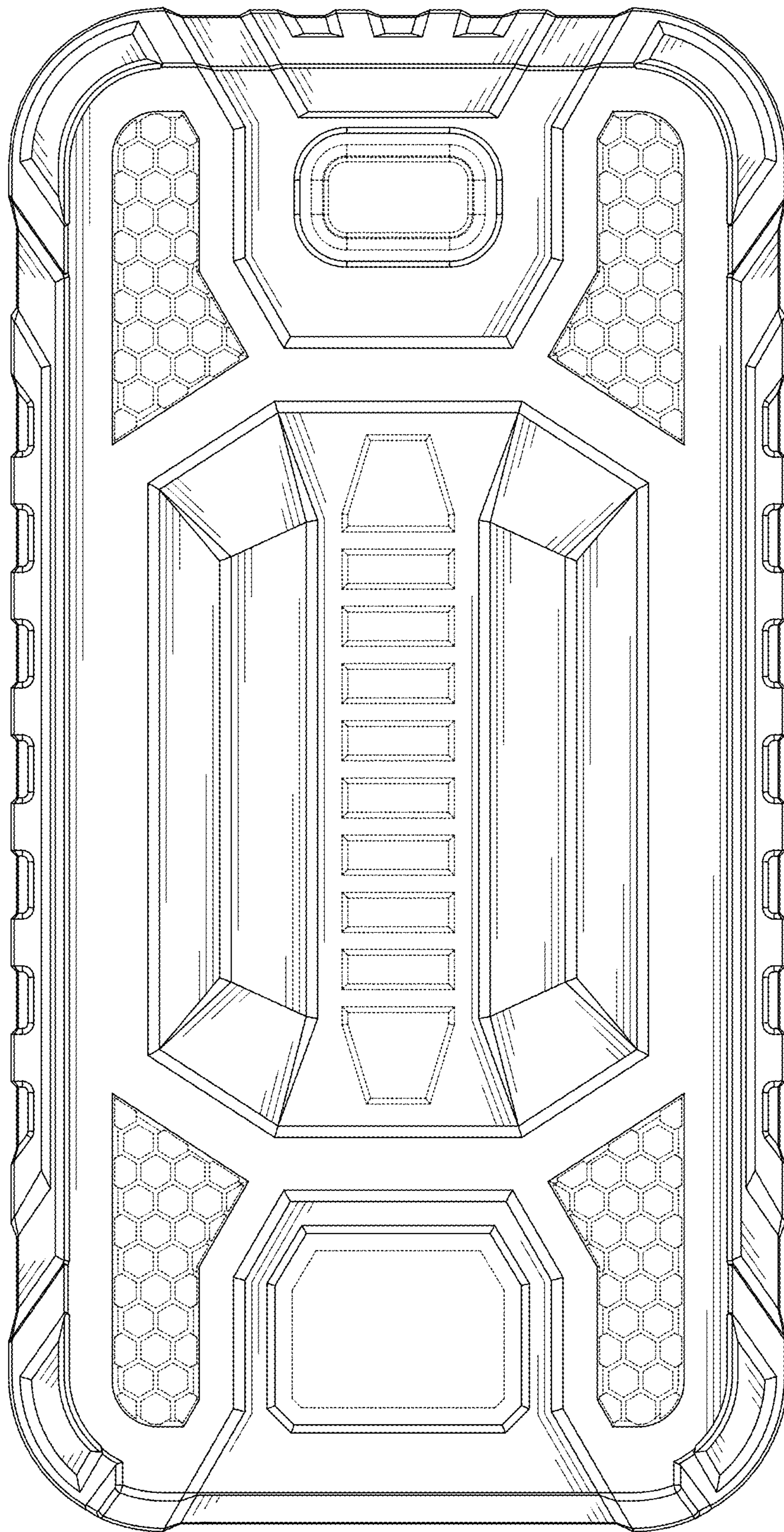


FIG. 4

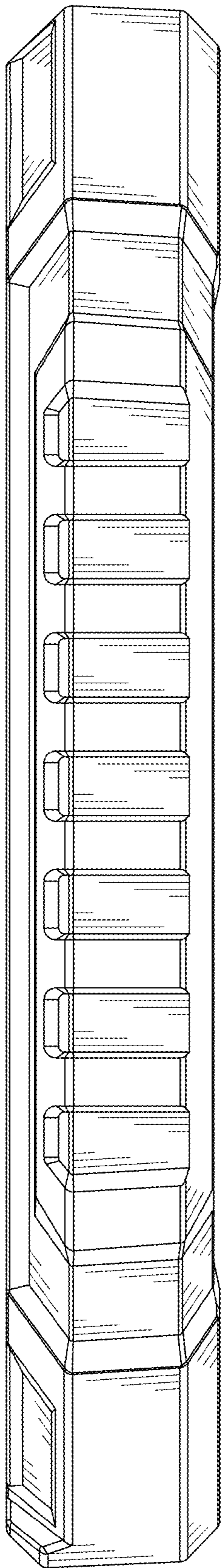


FIG. 5

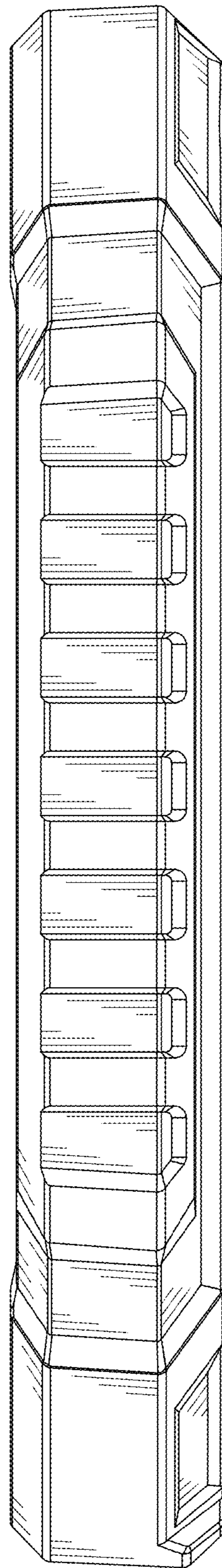


FIG. 6

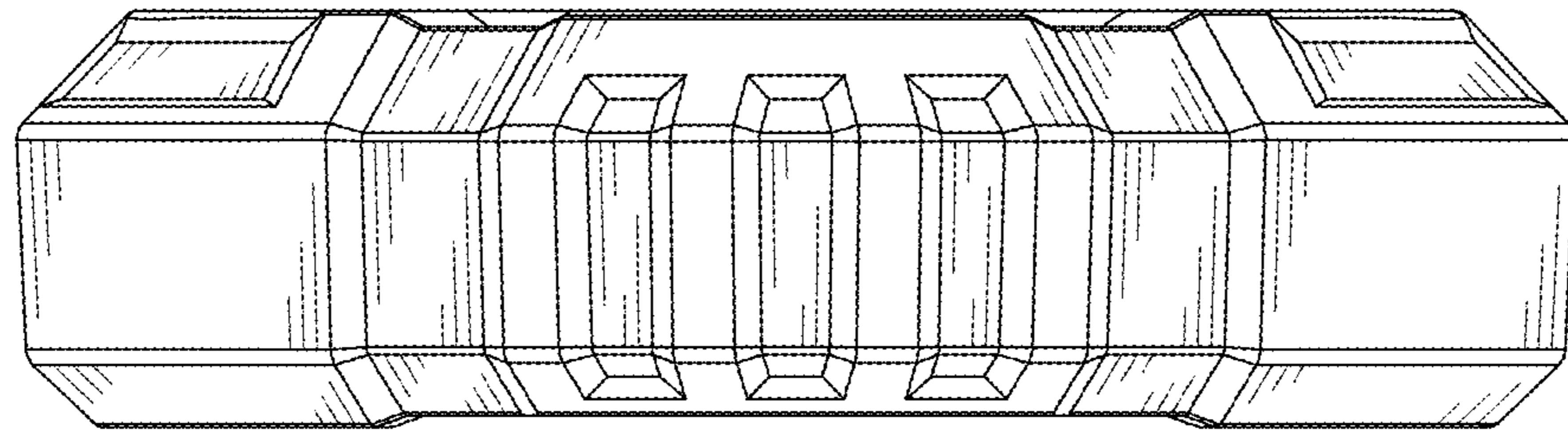


FIG. 7

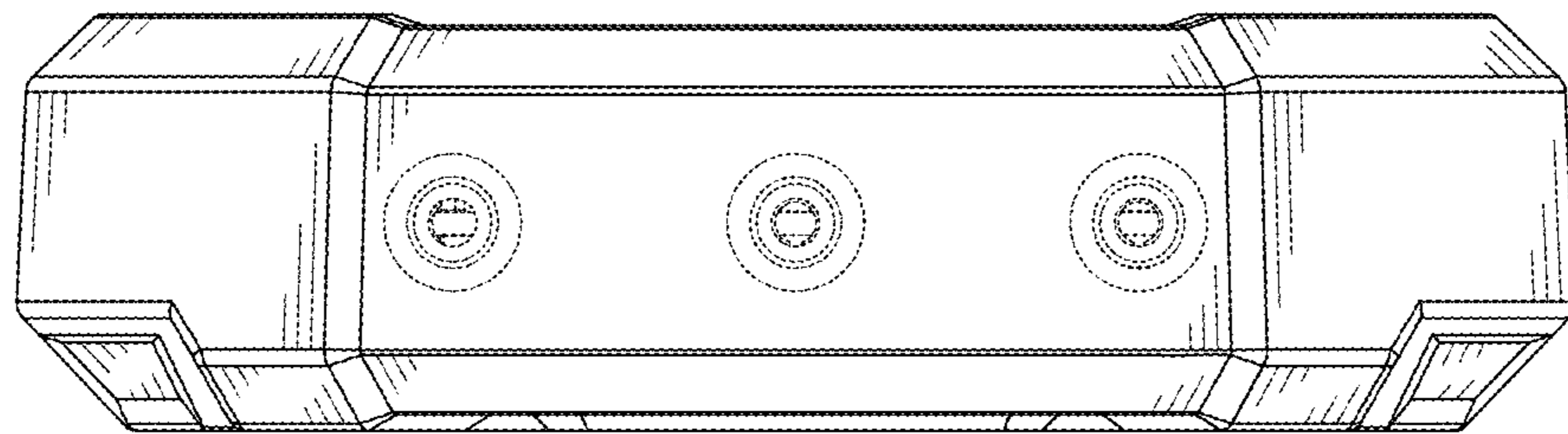


FIG. 8