



US00D968244S

(12) **United States Design Patent**
Chmielus

(10) **Patent No.:** **US D968,244 S**

(45) **Date of Patent:** **** Nov. 1, 2022**

(54) **HOUSING FOR MEASURING DEVICE**

(71) Applicant: **AARONIA AG**, Strickscheid (DE)

(72) Inventor: **Thorsten Chmielus**, Strickscheid (DE)

(**) Term: **15 Years**

(21) Appl. No.: **29/750,430**

(22) Filed: **Sep. 14, 2020**

(51) **LOC (13) Cl.** **10-04**

(52) **U.S. Cl.**
USPC **D10/75**

(58) **Field of Classification Search**
USPC D10/75, 76, 81
CPC G06F 17/14; G01R 23/16; G01R 23/163;
G01R 23/165; G01R 23/167; G01R
23/17; G01R 23/173; G01R 23/175;
G01R 23/177; G01R 23/18; G01R 23/20;
G01R 23/005; H04N 17/00
See application file for complete search history.

(56) **References Cited**

U.S. PATENT DOCUMENTS

3,108,222	A *	10/1963	Jaffe	G01R 13/208 327/600
D293,556	S *	1/1988	Klojcnik	D10/76
5,027,055	A *	6/1991	Lee	G01R 23/17 385/7
D365,291	S *	12/1995	Chitty	H04B 17/327 D10/75
6,888,342	B2 *	5/2005	Bradley	G01R 23/16 324/76.19
D861,517	S *	10/2019	Apenburg	G01R 23/16 D10/75

2009/0096466	A1 *	4/2009	Delforce	H04B 17/327 324/612
2014/0172339	A1 *	6/2014	Dees	G06F 15/00 702/67
2018/0038901	A1 *	2/2018	Kim	G01H 11/08

* cited by examiner

Primary Examiner — Antoine Duval Davis

(74) *Attorney, Agent, or Firm* — Cermak Nakajima & McGowan LLP; Malcolm K. McGowan

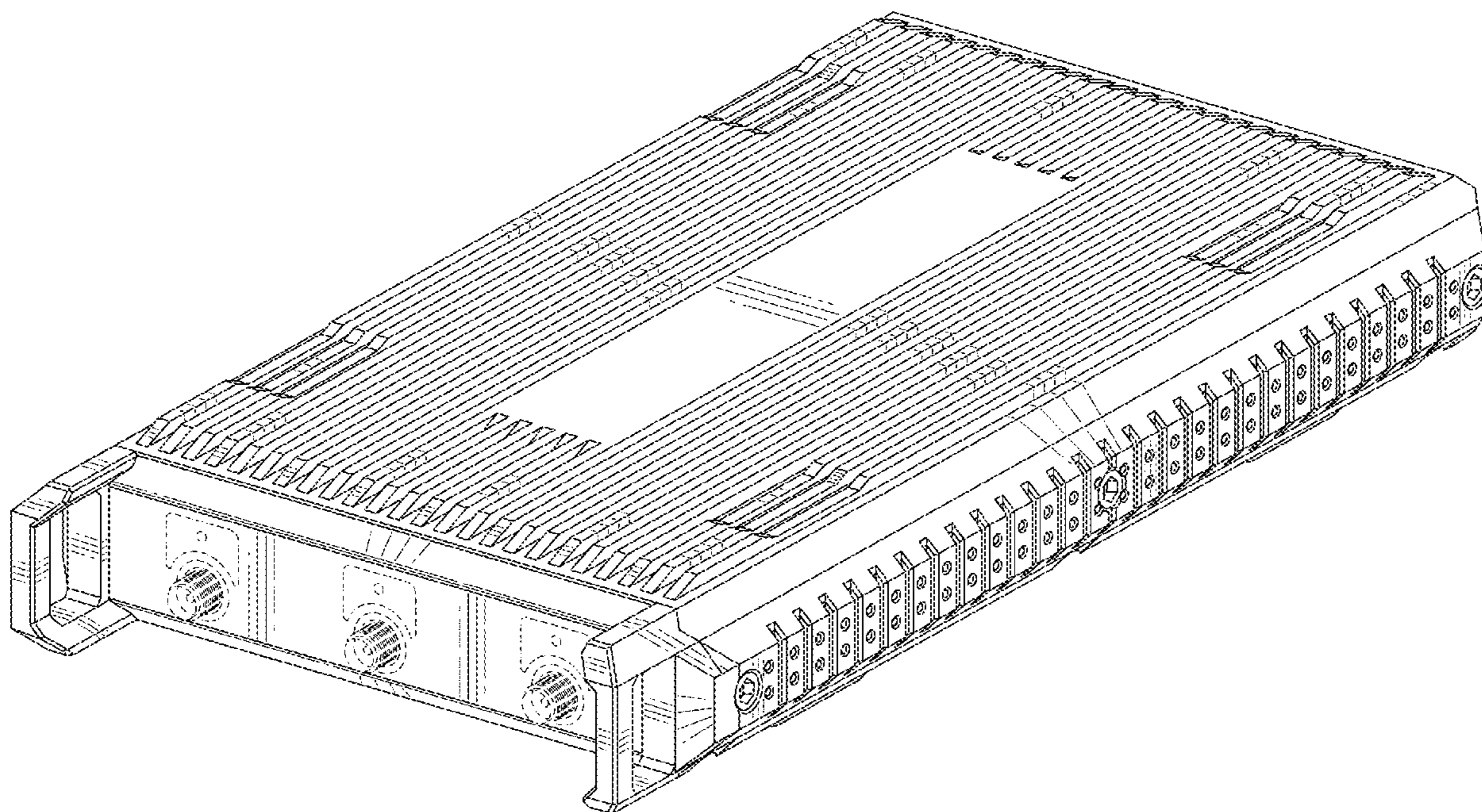
(57) **CLAIM**

The ornamental design for housing for measuring device, as shown and described.

DESCRIPTION

FIG. 1 is an axonometric view of the housing for measuring device showing my new design;
 FIG. 2 is a front elevational view of the housing for measuring device showing my new design;
 FIG. 3 is a rear elevational view of the housing for measuring device showing my new design;
 FIG. 4 is a side elevational view of the right side of the housing for measuring device showing my new design, the left and right sides being mirror images of each other;
 FIG. 5 is a top view of the housing for measuring device showing my new design; and,
 FIG. 6 is a bottom view of the housing for measuring device showing my new design.
 Portions of the article not shown in the drawing form no part of the claimed design.
 The broken line showing of structural features is included for the purpose of illustrating non-claimed subject matter and forms no part of the claimed design.

1 Claim, 6 Drawing Sheets



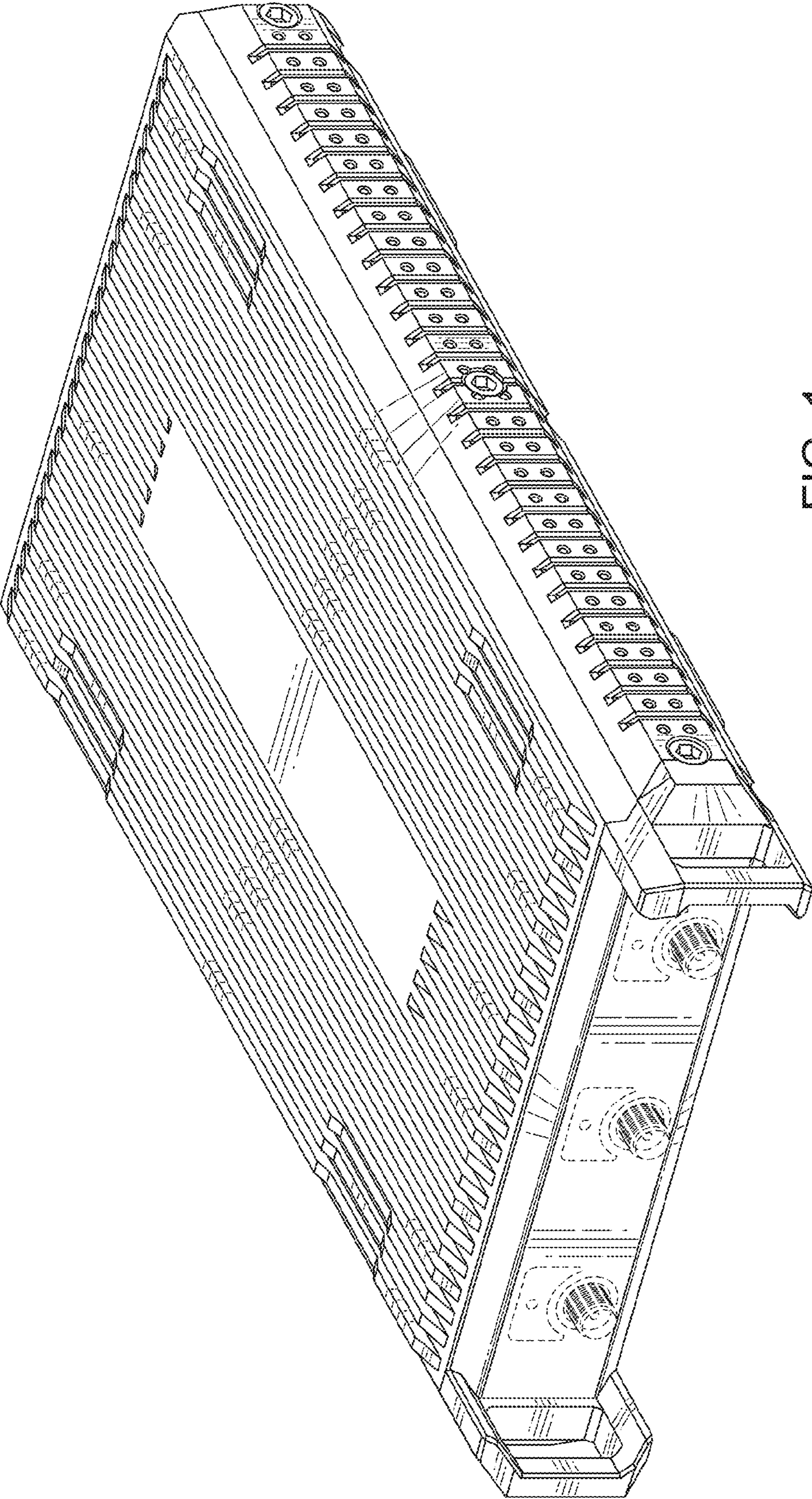


FIG. 1

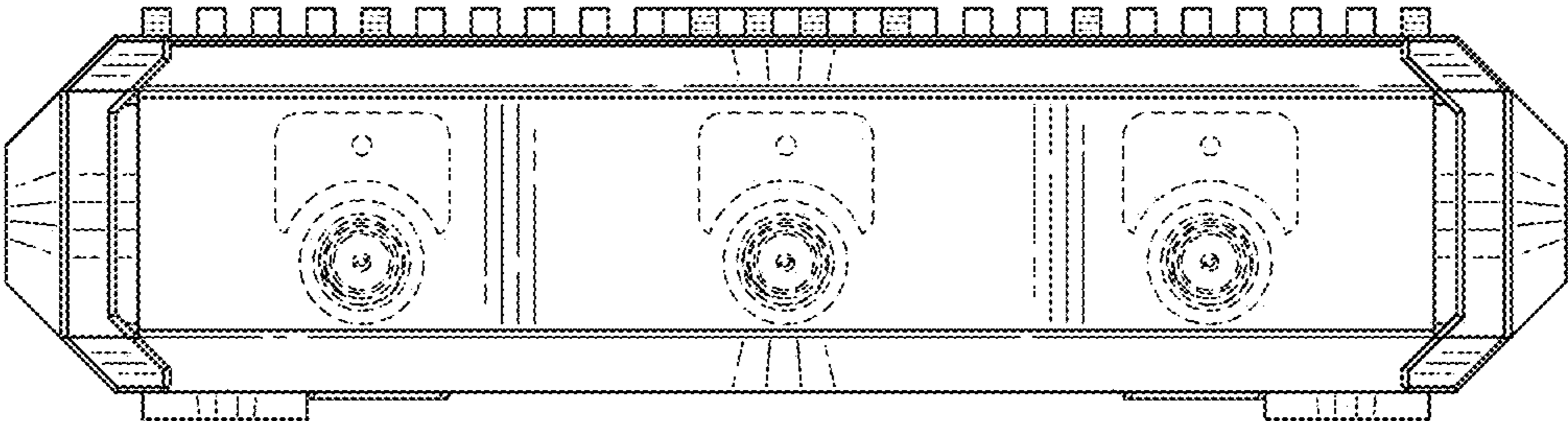


FIG. 2

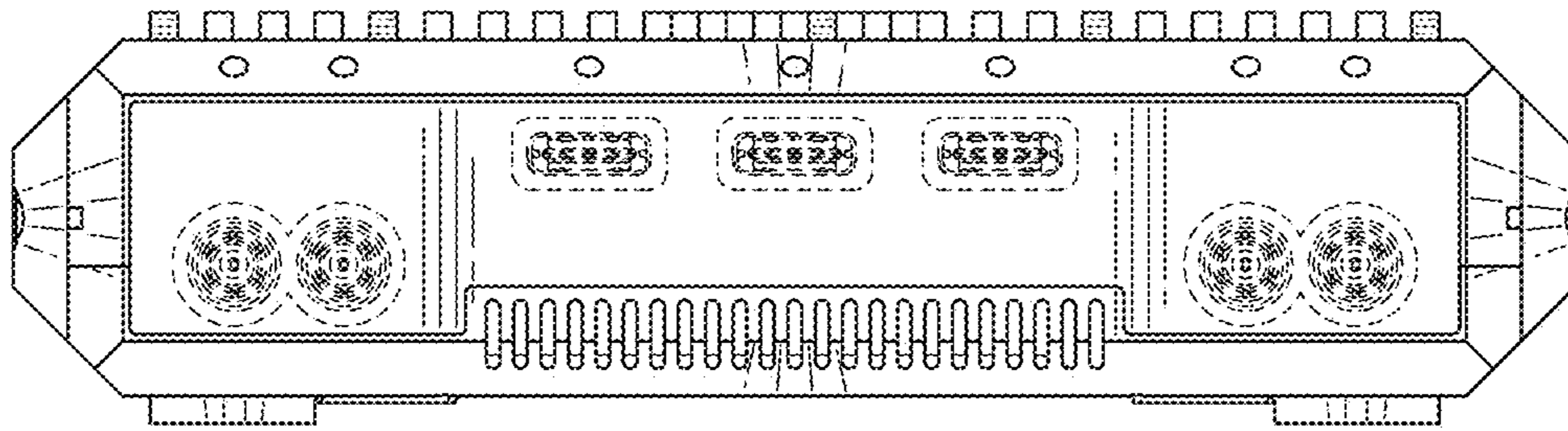


FIG. 3

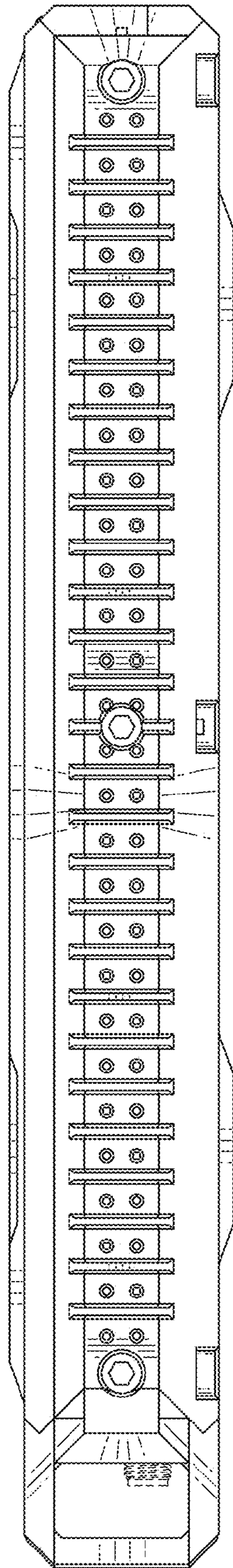


FIG. 4

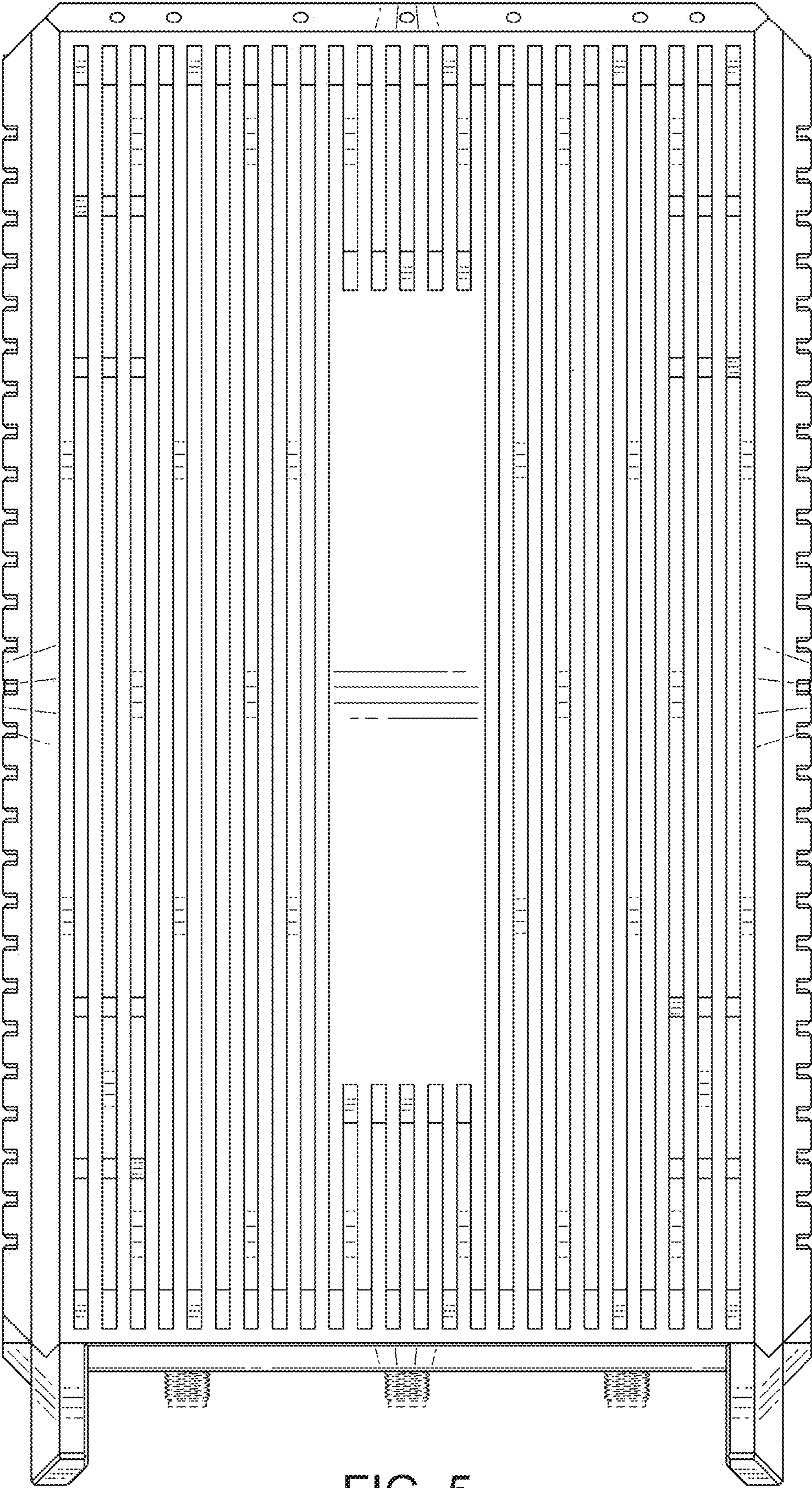


FIG. 5

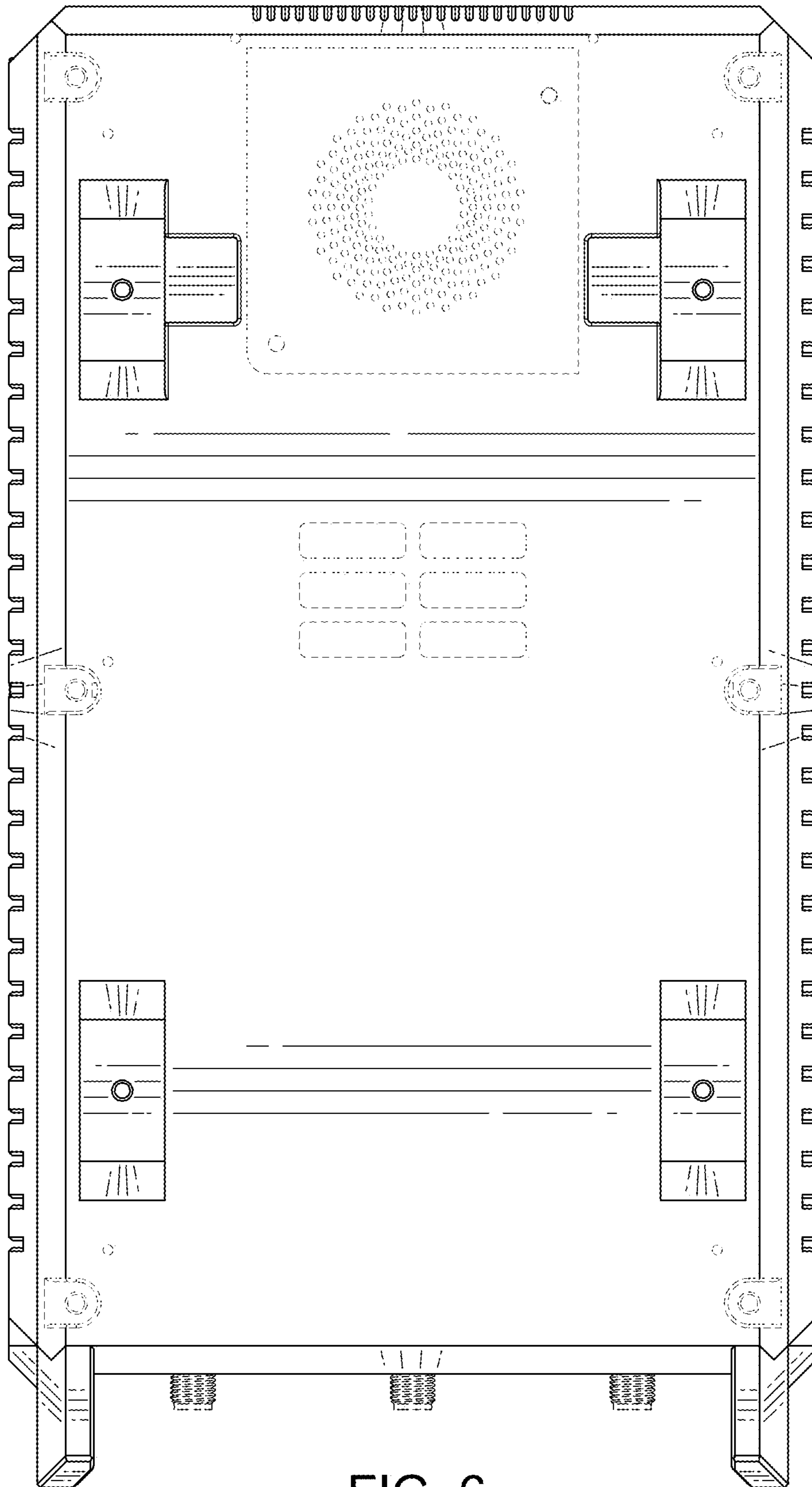


FIG. 6