



US00D968241S

(12) **United States Design Patent** (10) **Patent No.:** **US D968,241 S**
Gao (45) **Date of Patent:** **** Nov. 1, 2022**

(54) **RADAR**

(71) Applicant: **AUTEL INTELLIGENT TECHNOLOGY CORP., LTD.,**
Guangdong (CN)

(72) Inventor: **Ming Gao,** Guangdong (CN)

(73) Assignee: **AUTEL INTELLIGENT TECHNOLOGY CORP., LTD.,**
Shenzhen (CN)

(**) Term: **15 Years**

(21) Appl. No.: **29/774,377**

(22) Filed: **Mar. 16, 2021**

(30) **Foreign Application Priority Data**

Sep. 28, 2020 (CN) 202030585564.2

(51) **LOC (13) Cl.** **10-05**

(52) **U.S. Cl.**
USPC **D10/65; D10/78; D13/133**

(58) **Field of Classification Search**
USPC D10/96-103, 61, 65-80; D13/199, 164,
D13/102, 108, 107, 133, 147; D14/383,
D14/357

CPC G01R 31/3646; G01R 31/385;
G01R 31/364; G01R 1/04; G01R 31/36;
G01R 31/3689; G01R 31/371; G01R
31/006; G01R 31/007; G01R 5/00; G01R
7/00; G01R 17/00; G01R 19/00; G01R
21/00; G01R 22/00; G01R 23/00; G01R
25/00; G01R 27/00; G01R 15/12; G01R
15/181; G01R 15/186; H01M 10/4285;
H01R 11/11; H01R 12/57; H01R
2201/26; H01R 13/6275; H01R 13/639;
Y02E 60/10; Y02E 10/72; C02F 1/008;
C02F 2201/326; C02F 2209/001; C02F
2209/006; C02F 2209/008; H05K 5/0247;
G07C 5/02; G07C 5/00; G07C 5/12;
G07C 5/08; G07C 2205/22;

(Continued)

(56) **References Cited**

U.S. PATENT DOCUMENTS

D709,836 S * 7/2014 Casagrande D13/156
D865,639 S * 11/2019 Adams, III D12/400

(Continued)

FOREIGN PATENT DOCUMENTS

CN 305945983 * 3/2020
CN 305911589 * 4/2020

(Continued)

OTHER PUBLICATIONS

Autel Store, Autel MaxiAP AP200 Bluetooth OBD2 Scanner, Date first available Feb. 16, 2017, [online]retrieved Aug. 2, 2022, available from https://www.amazon.com/Autel-AP200-Bluetooth-Professional-Automotive/dp/B07QD4GZW4?ref_=ast_sto_dp (Year: 2017).*

(Continued)

Primary Examiner — Keli L Hill
Assistant Examiner — Sara S Sahneh

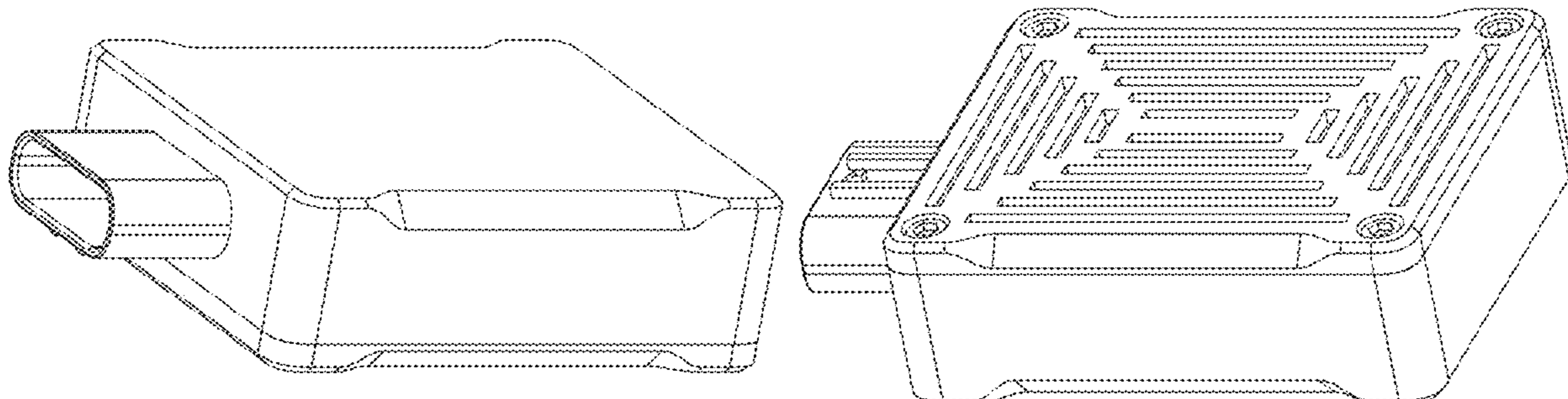
(57) **CLAIM**

The ornamental design for a radar, as shown and described.

DESCRIPTION

FIG. 1 is a front elevational view of a radar showing our new design;
FIG. 2 is a back elevational view thereof;
FIG. 3 is a left side elevational view thereof;
FIG. 4 is a right side elevational view thereof;
FIG. 5 is a top plan view thereof;
FIG. 6 is a bottom plan view thereof;
FIG. 7 is a first perspective view thereof; and,
FIG. 8 is a second perspective view thereof.

1 Claim, 5 Drawing Sheets



- (58) **Field of Classification Search**
 CPC G07C 5/0808; G07C 5/0825;
 G07C 2205/02; G07C 5/008; H02J 9/061;
 H02J 1/06; H02J 1/08; H02J 1/10; B60R
 1/00; B60R 3/00; B60R 13/00; B60R
 15/00; B60R 16/023; B60R 16/00; B60R
 16/005; G01C 21/16; G01C 25/00; G01M
 15/02
 See application file for complete search history.

CN 307308555 * 2/2022
 CN 307429149 * 4/2022
 EM 008859896-0001 * 2/2022

OTHER PUBLICATIONS

Autel Store, Wireless OBDII Scan Tool with ABS, Date first available Jul. 4, 2020, [online]retrieved Mar. 4, 2022,available from https://www.amazon.com/Autel-AP200C-Wireless-Diagnostics-Throttle/dp/B08CC35FFM/ref=psdc_15707381_t2_B09D3SHFKS (Year: 2020).*

Toretas, OBD2 Scanner Bluetooth, Date first available Jan. 4, 2022, [online]retrieved Mar. 4, 2022,available from [https://www.amazon.com/dp/B09PN845J7/ref=sspa_dk_detail_5?pd_rd_i=B09PN845J7&pd_rd_w=ulzm0&pf_rd_p=b9951ce4-3bd8-4b04-9123-0fda35d6155e&pd_rd_wg=8xoEv&pf_rd_r=00PEV16CD324W5YZ4FBX&pd_rd_r=\(Year: 2022\).](https://www.amazon.com/dp/B09PN845J7/ref=sspa_dk_detail_5?pd_rd_i=B09PN845J7&pd_rd_w=ulzm0&pf_rd_p=b9951ce4-3bd8-4b04-9123-0fda35d6155e&pd_rd_wg=8xoEv&pf_rd_r=00PEV16CD324W5YZ4FBX&pd_rd_r=(Year: 2022).)*

NEXAS,Scanner Code Reader, Date first available Jul. 31, 2020, [online]retrieved Mar. 4, 2022,available from https://www.amazon.com/NEXAS-NexLink-Bluetooth-Diagnostic-Enhanced/dp/B08BPC179W/ref=sr_1_24?crd=1V2G8DR6JFGDZ&keywords=VEHICLE+DIAGNOSTIC+SLAVE+TOOL&qid=1646428969&sprefix=vehicle+diagnostic+sla (Year: 2020).*

(56) **References Cited**

U.S. PATENT DOCUMENTS

- D908,090 S * 1/2021 Link D13/133
 D923,499 S * 6/2021 Lee D10/78
 D942,289 S * 2/2022 Shen D10/78
 D951,113 S * 5/2022 Gao D13/133
 D951,114 S * 5/2022 Gao D13/133
 D951,115 S * 5/2022 Gao D13/133
 D951,948 S * 5/2022 Shen D10/75
 D951,949 S * 5/2022 Shen D10/75
 D951,950 S * 5/2022 Shen D10/75
 2015/0081163 A1* 3/2015 Molenkamp G07C 5/00
 701/33.2
 2017/0115132 A1* 4/2017 Lin B60R 16/023

FOREIGN PATENT DOCUMENTS

CN 306296643 * 8/2020
 CN 306577755 * 6/2021

* cited by examiner

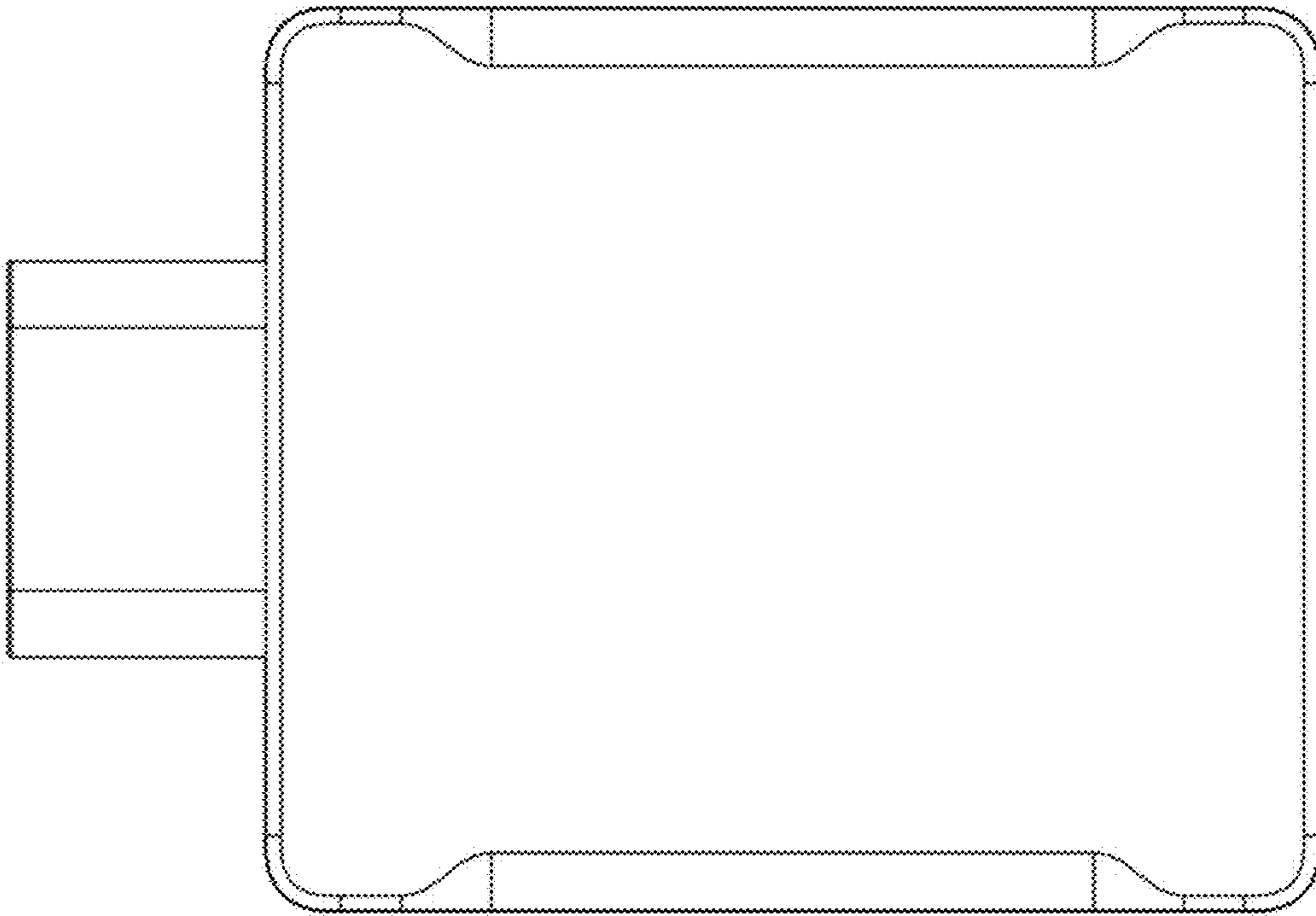


FIG. 1

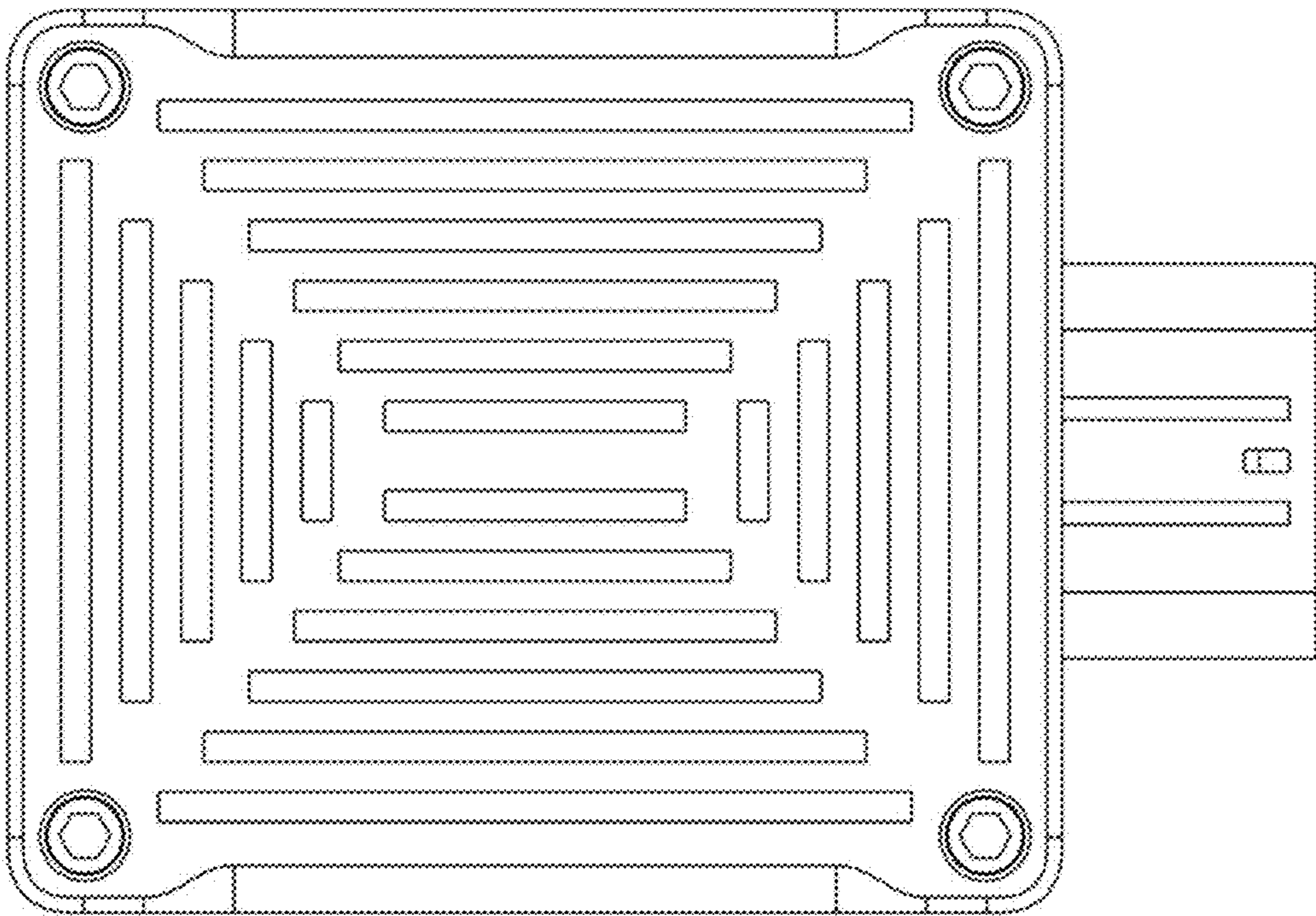


FIG. 2

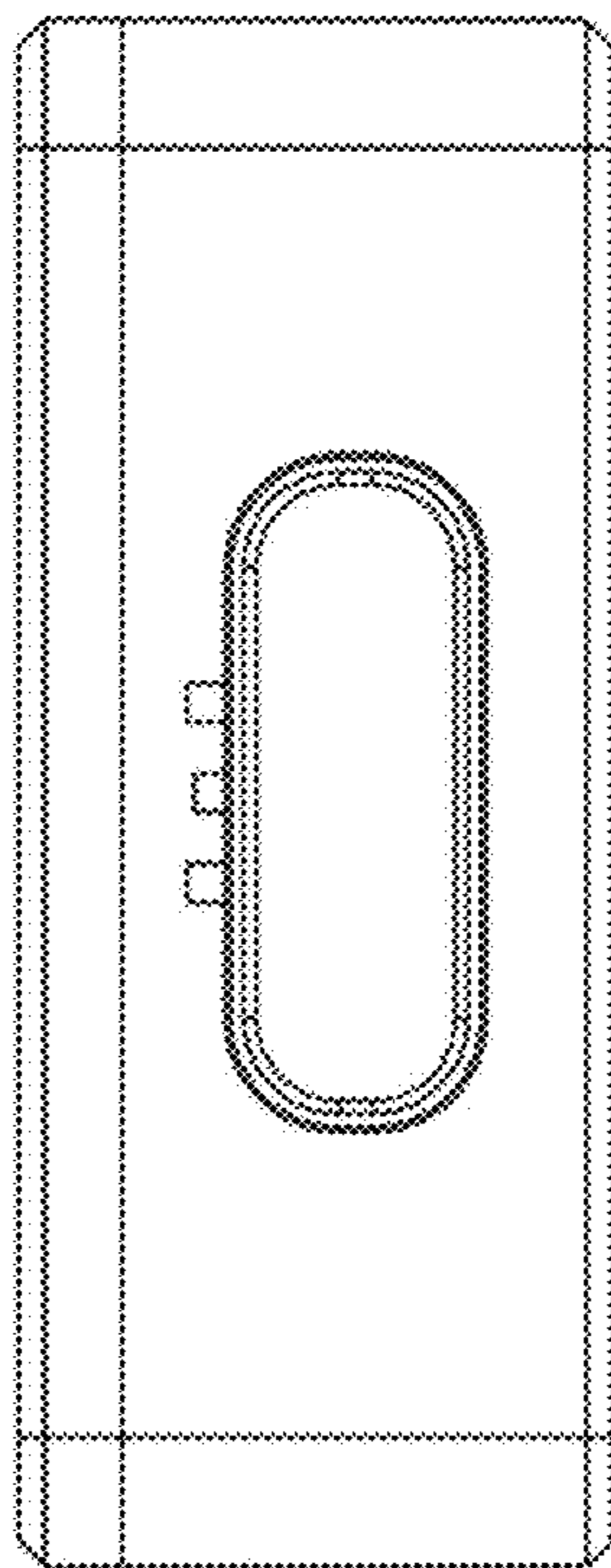


FIG.3

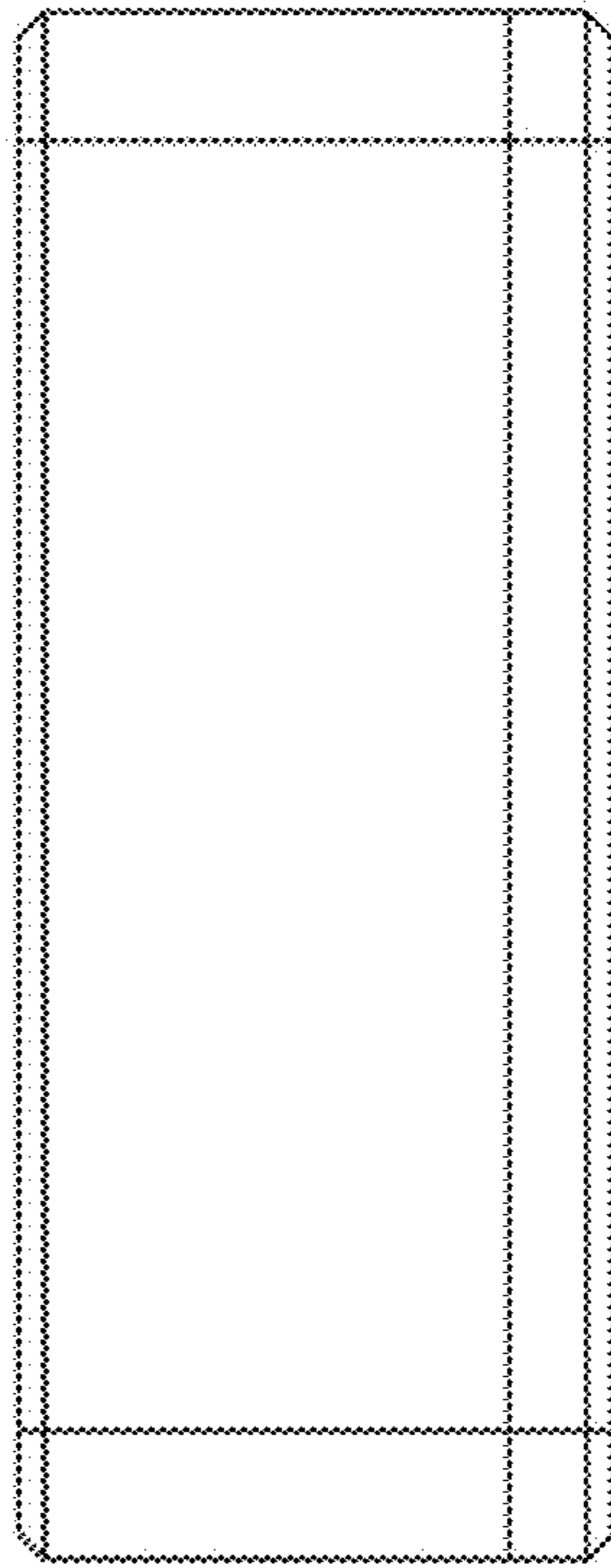


FIG.4

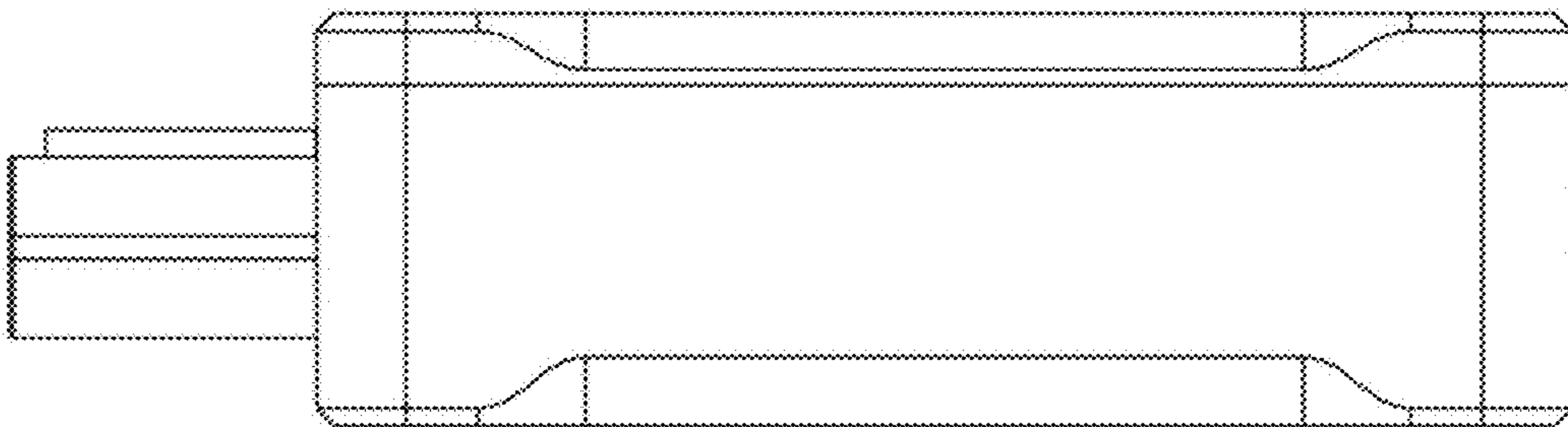


FIG.5

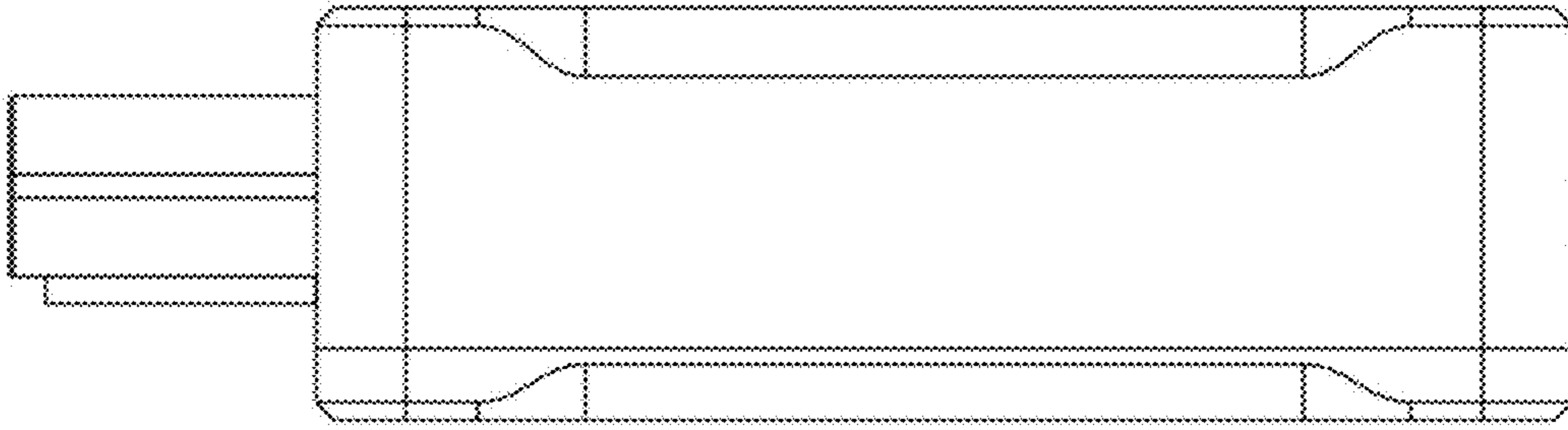


FIG. 6

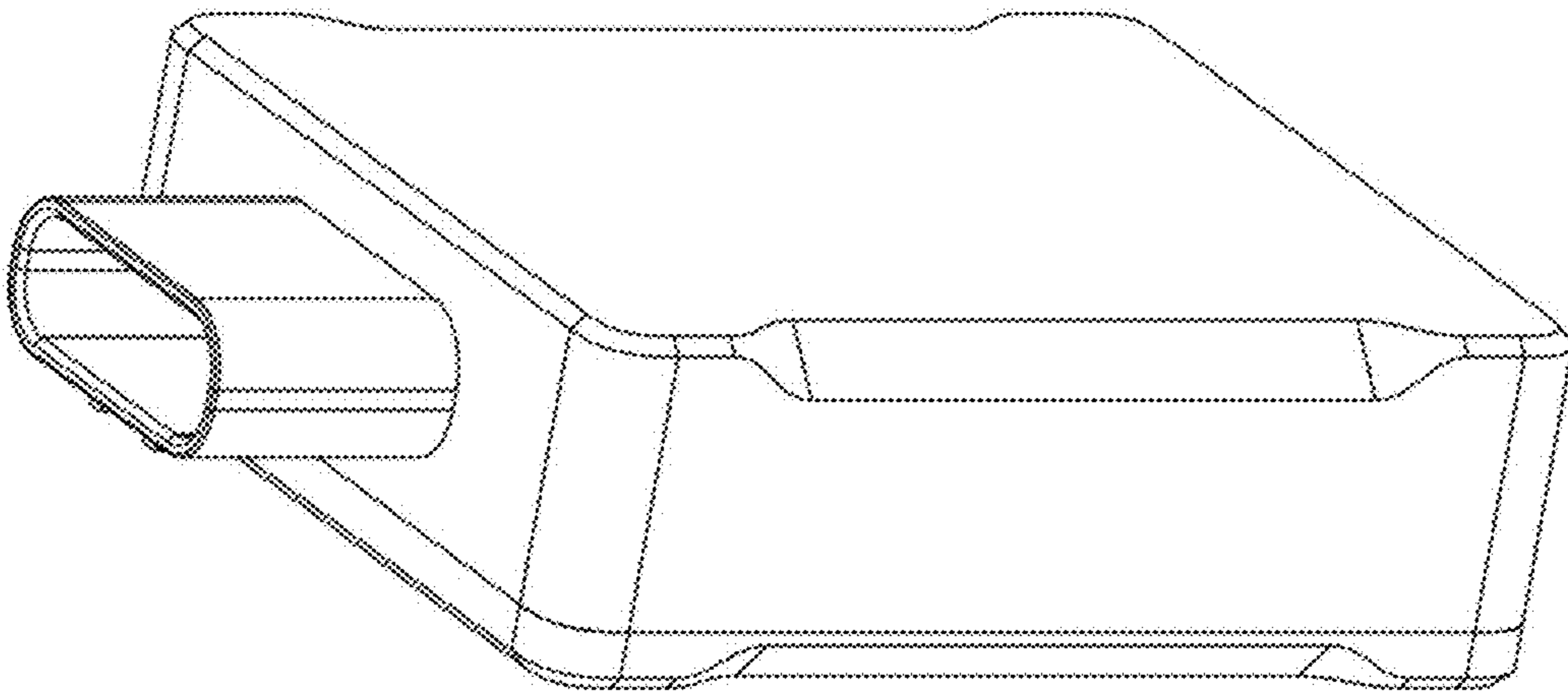


FIG. 7

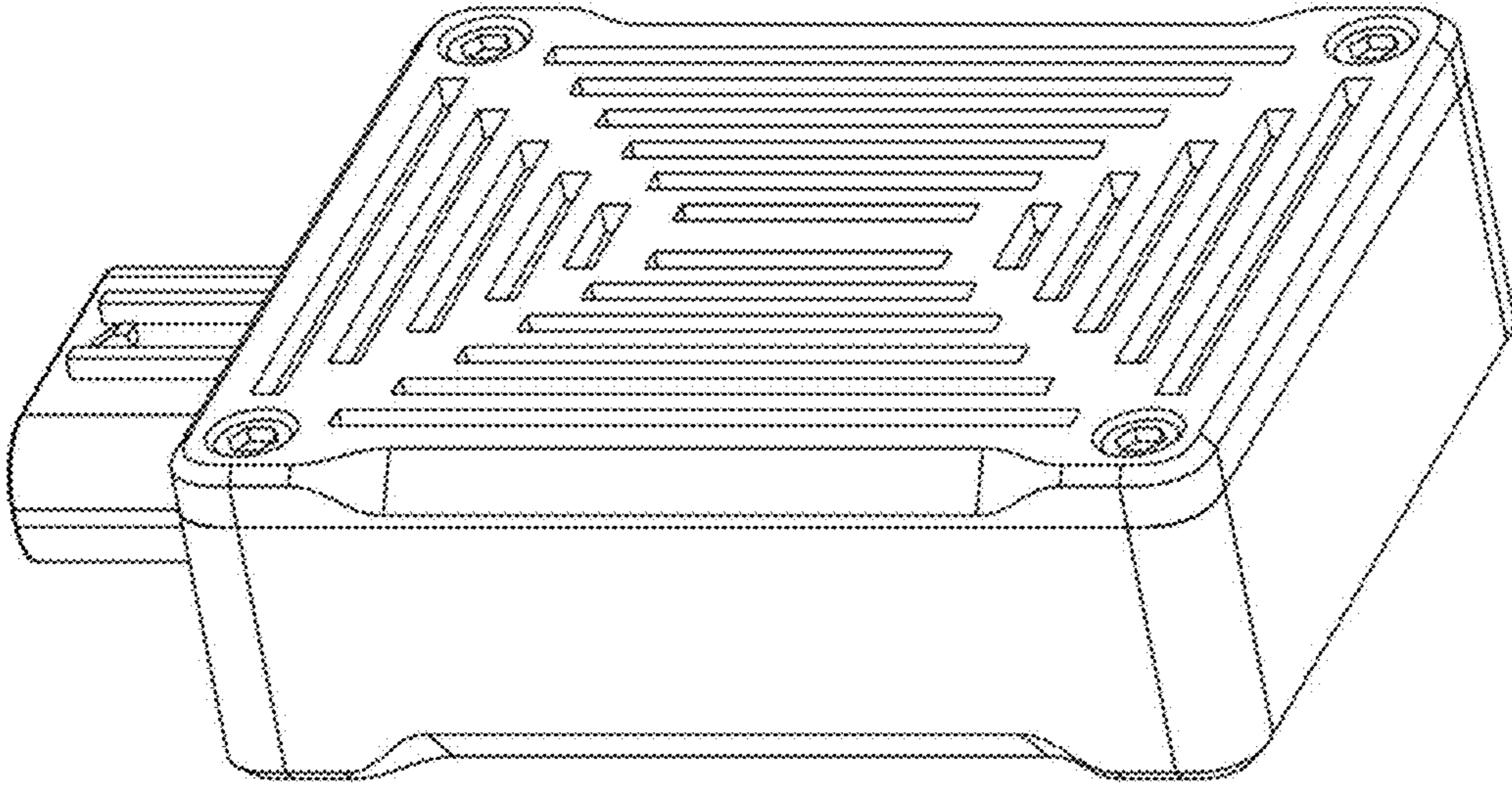


FIG.8