



US00D968235S

(12) **United States Design Patent** (10) **Patent No.:** **US D968,235 S**  
**Bristol et al.** (45) **Date of Patent:** **\*\* Nov. 1, 2022**

(54) **WATCH**  
(71) Applicant: **META PLATFORMS TECHNOLOGIES, LLC**, Menlo Park, CA (US)  
(72) Inventors: **Peter Wesley Bristol**, Seattle, WA (US); **Chunli Chen**, Seattle, WA (US)  
(73) Assignee: **META PLATFORMS TECHNOLOGIES, LLC**, Menlo Park, CA (US)

D157,606 S 3/1950 Lachman  
D157,607 S 3/1950 Lachman  
D160,699 S \* 10/1950 Fischer ..... 73/431  
2,679,785 A 6/1954 Batt  
D295,147 S 4/1988 Cave  
4,903,250 A 2/1990 Cho  
D329,818 S 9/1992 Lam

(Continued)

**FOREIGN PATENT DOCUMENTS**

CN 110703580 A \* 1/2020 ..... G04B 47/00  
CN 112099332 A \* 12/2020 ..... G04B 15/14

**OTHER PUBLICATIONS**

Facebook's Meta Watch has a camera notch according to first leaked image | theverge.com; date published Oct. 28, 2021 [online]. © 2022 Vox Media, LLC [retrieved Jul. 22, 2022] from Internet: <<https://www.theverge.com/2021/10/28/22751702/facebook-meta-smartwatch-camera-notch-image-leak-glasses-wearables>> (Year: 2021).\*

(Continued)

*Primary Examiner* — Katherine Glennon  
(74) *Attorney, Agent, or Firm* — Morgan, Lewis & Bockius LLP

(57) **CLAIM**

The ornamental design for a watch, as shown and described.

**DESCRIPTION**

FIG. 1 is a front perspective view of a watch showing our new design;  
FIG. 2 is a front elevational view thereof;  
FIG. 3 is a rear elevational view thereof;  
FIG. 4 is a left-side elevational view thereof;  
FIG. 5 is a right-side elevational view thereof;  
FIG. 6 is a top plan view thereof; and,  
FIG. 7 is a bottom plan view thereof.  
The broken lines depict portions of the watch that form no part of the claimed design.

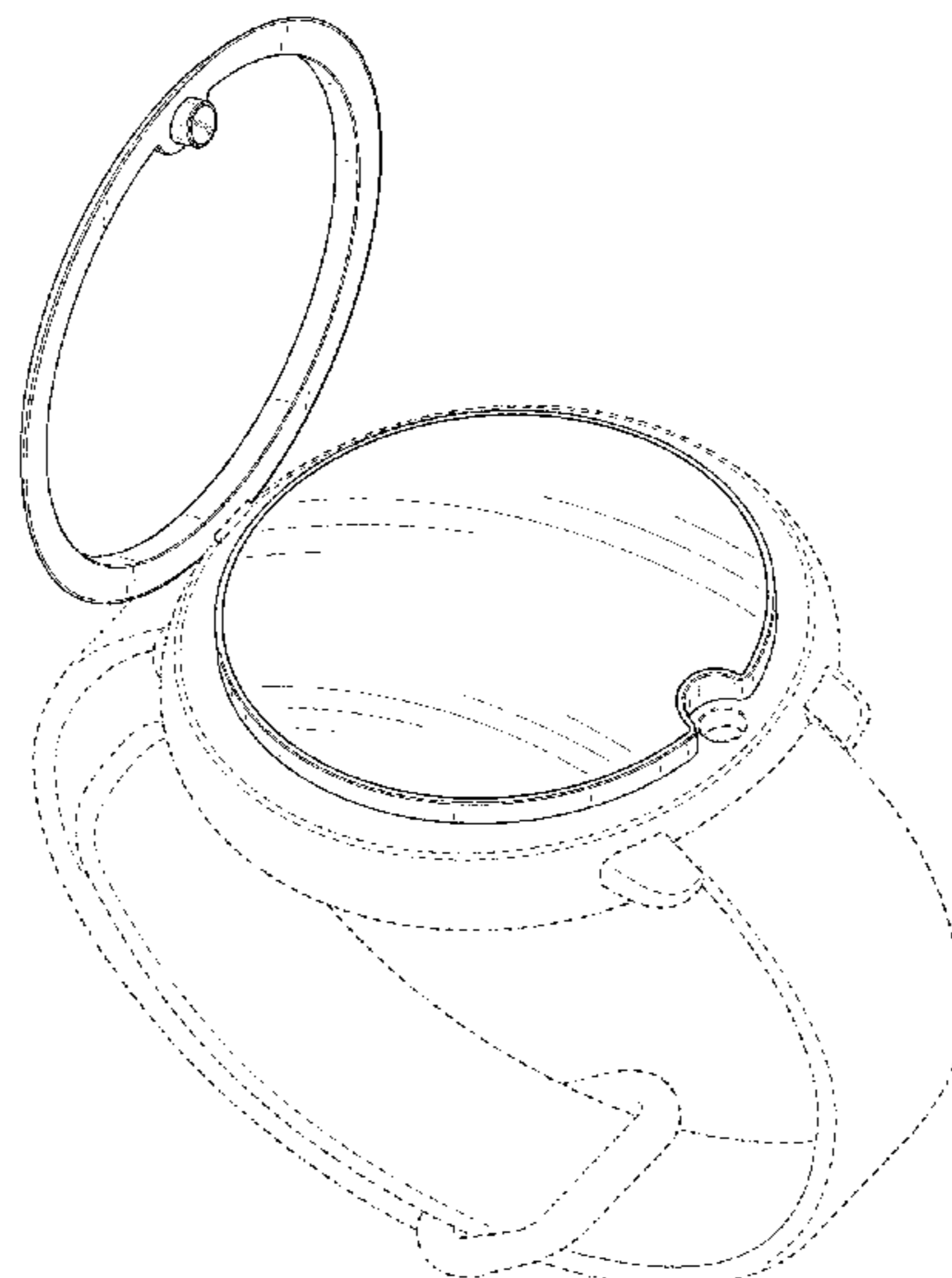
**1 Claim, 7 Drawing Sheets**

(\*\*) Term: **15 Years**  
(21) Appl. No.: **29/815,143**  
(22) Filed: **Nov. 11, 2021**  
(51) **LOC (13) Cl.** ..... **10-02**  
(52) **U.S. Cl.**  
USPC ..... **D10/39; D10/128; D10/132; D14/344**  
(58) **Field of Classification Search**  
USPC ..... D10/30-39, 122-132; D11/3; D14/138 G, 344, 440, 509; D24/167, 186  
CPC ..... A61B 5/681; A61B 5/6831; A44C 5/0007; A44C 5/147; G04B 37/00; G04B 37/0058; G04B 37/1446; G04B 37/18; G04B 19/00; G04B 19/02; G04B 19/025; G04B 19/04; G04B 19/042; G04B 19/06; G04B 19/065; G04B 19/08; G04B 19/085; G04B 19/087; G04B 45/0046; G04B 45/0069; G04B 45/0076; G04G 99/006; G04G 17/00; G04G 17/08; G04G 17/083  
See application file for complete search history.

(56) **References Cited**

**U.S. PATENT DOCUMENTS**

D111,613 S 10/1938 Pohli  
D115,060 S 5/1939 Barthman  
D115,072 S 5/1939 Shillaber



(56)

References Cited

U.S. PATENT DOCUMENTS

D363,232 S 10/1995 Gueit  
 D380,393 S \* 7/1997 Molas ..... D10/30  
 5,646,913 A 7/1997 Quesenberry  
 5,652,736 A 7/1997 Lee  
 5,687,732 A 11/1997 Inagaki et al.  
 D399,759 S \* 10/1998 Kennedy ..... D10/30  
 D417,236 S \* 11/1999 Burrus ..... D19/28  
 D453,751 S \* 2/2002 Bearden ..... D10/31  
 D454,076 S \* 3/2002 Baroche ..... D10/31  
 6,366,538 B1 4/2002 Anderson et al.  
 D456,718 S 5/2002 Scarinzi et al.  
 6,430,110 B2 8/2002 Baroche  
 6,480,441 B1 11/2002 McKay  
 D485,776 S \* 1/2004 Martin ..... D10/128  
 6,940,785 B2 9/2005 Ellner et al.  
 D549,597 S 8/2007 Kraus et al.  
 D551,093 S \* 9/2007 Hegi ..... D10/39  
 7,333,399 B2 2/2008 Ellner et al.  
 D565,426 S \* 4/2008 Rabassa ..... D10/30  
 D565,427 S 4/2008 Ellner et al.  
 7,359,287 B2 4/2008 Baroche  
 D580,278 S 11/2008 Hegi  
 D597,858 S 8/2009 Reynoso  
 D627,240 S \* 11/2010 Strasser ..... D10/30  
 D640,143 S 6/2011 Virgili  
 8,279,716 B1 10/2012 Gossweiler, III et al.  
 8,379,488 B1 2/2013 Gossweiler, III et al.  
 8,902,714 B2 12/2014 Gossweiler, III et al.  
 D741,307 S \* 10/2015 Kester ..... D14/248

D751,066 S \* 3/2016 Magi ..... D14/344  
 D759,512 S \* 6/2016 Belamich ..... D10/126  
 D759,640 S \* 6/2016 Wadsworth ..... D14/250  
 D762,641 S 8/2016 Lee et al.  
 D767,566 S \* 9/2016 Morgenroth ..... D14/344  
 D782,475 S 3/2017 Yu et al.  
 D796,682 S \* 9/2017 Falk ..... D24/186  
 D806,020 S \* 12/2017 Lu ..... D13/107  
 10,152,169 B2 12/2018 Smith et al.  
 D840,041 S 2/2019 Li et al.  
 10,331,083 B1 6/2019 Ness et al.  
 10,372,020 B2 8/2019 Raskin et al.  
 D885,461 S \* 5/2020 Pera ..... D16/218  
 10,678,334 B1 \* 6/2020 Pezent ..... G06F 3/0346  
 D889,287 S 7/2020 Lalo  
 D915,399 S \* 4/2021 Chao ..... D14/344  
 D924,078 S \* 7/2021 DeMaio ..... D10/128  
 D928,010 S \* 8/2021 Balayer ..... D10/37  
 D930,644 S 9/2021 Nie et al.  
 11,303,816 B2 \* 4/2022 Cotoros ..... H04N 5/247  
 D957,498 S \* 7/2022 Tsuji ..... D16/200  
 2019/0014242 A1 \* 1/2019 Piekarski ..... G06F 1/1626

OTHER PUBLICATIONS

Runcible wearable pocket smartwatch | cnet.com; posted Feb. 26, 2015 [online]. © 2022 CNET [retrieved Aug. 22, 2022] from Internet: <<https://www.cnet.com/pictures/runcible-wearable-pocket-watch-pictures/>> (Year: 2015).\*

\* cited by examiner

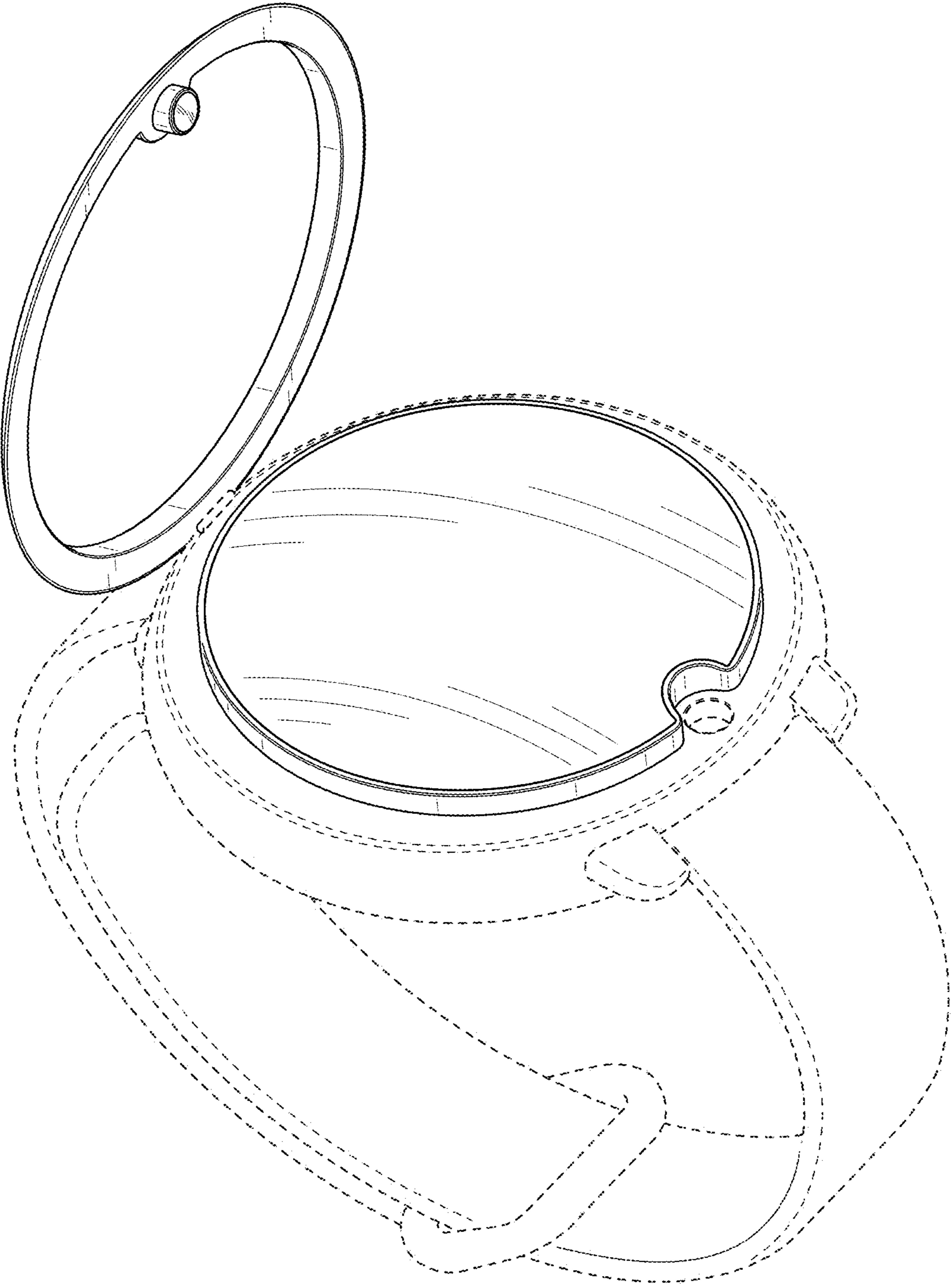


FIG. 1

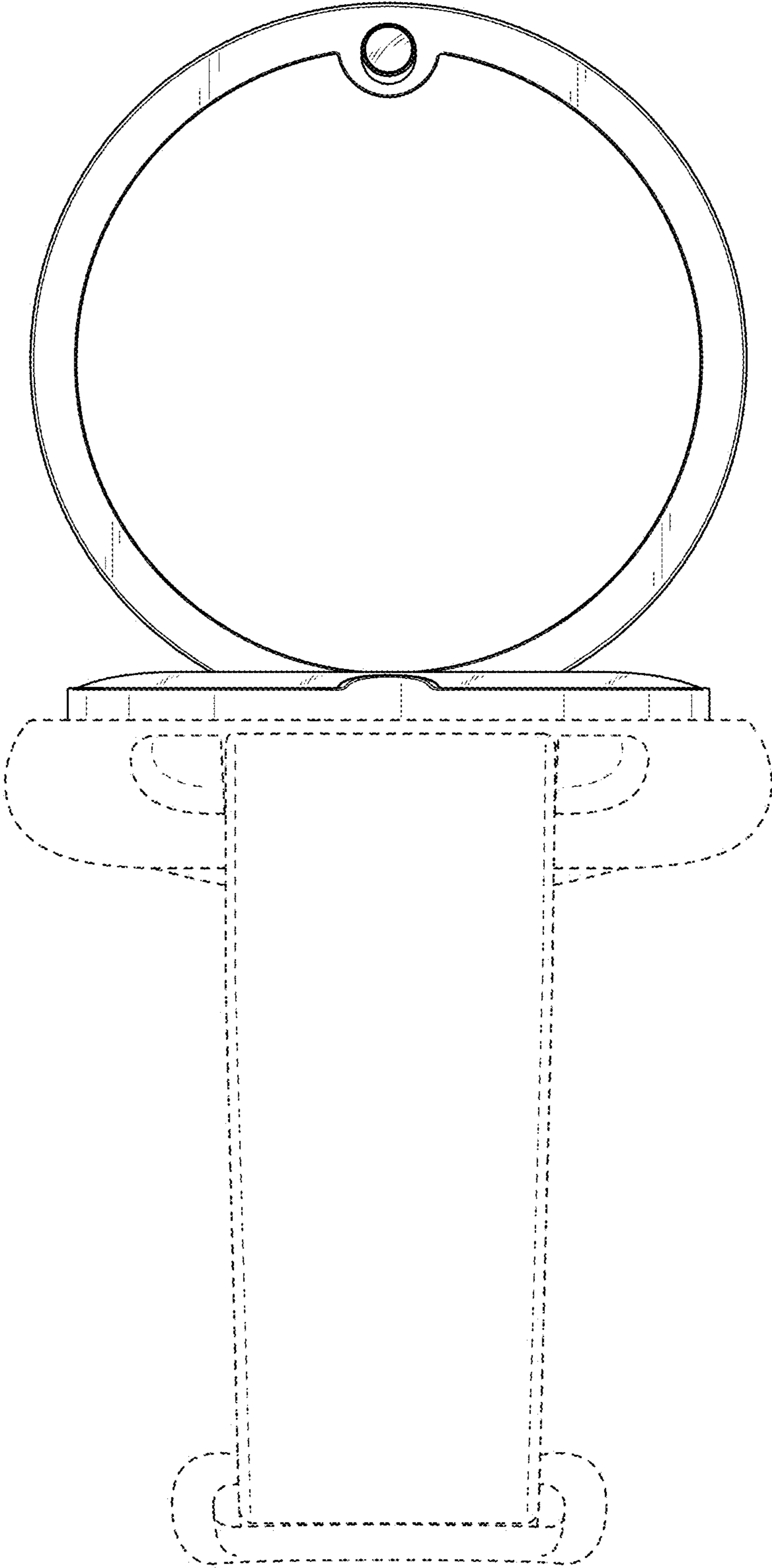


FIG. 2

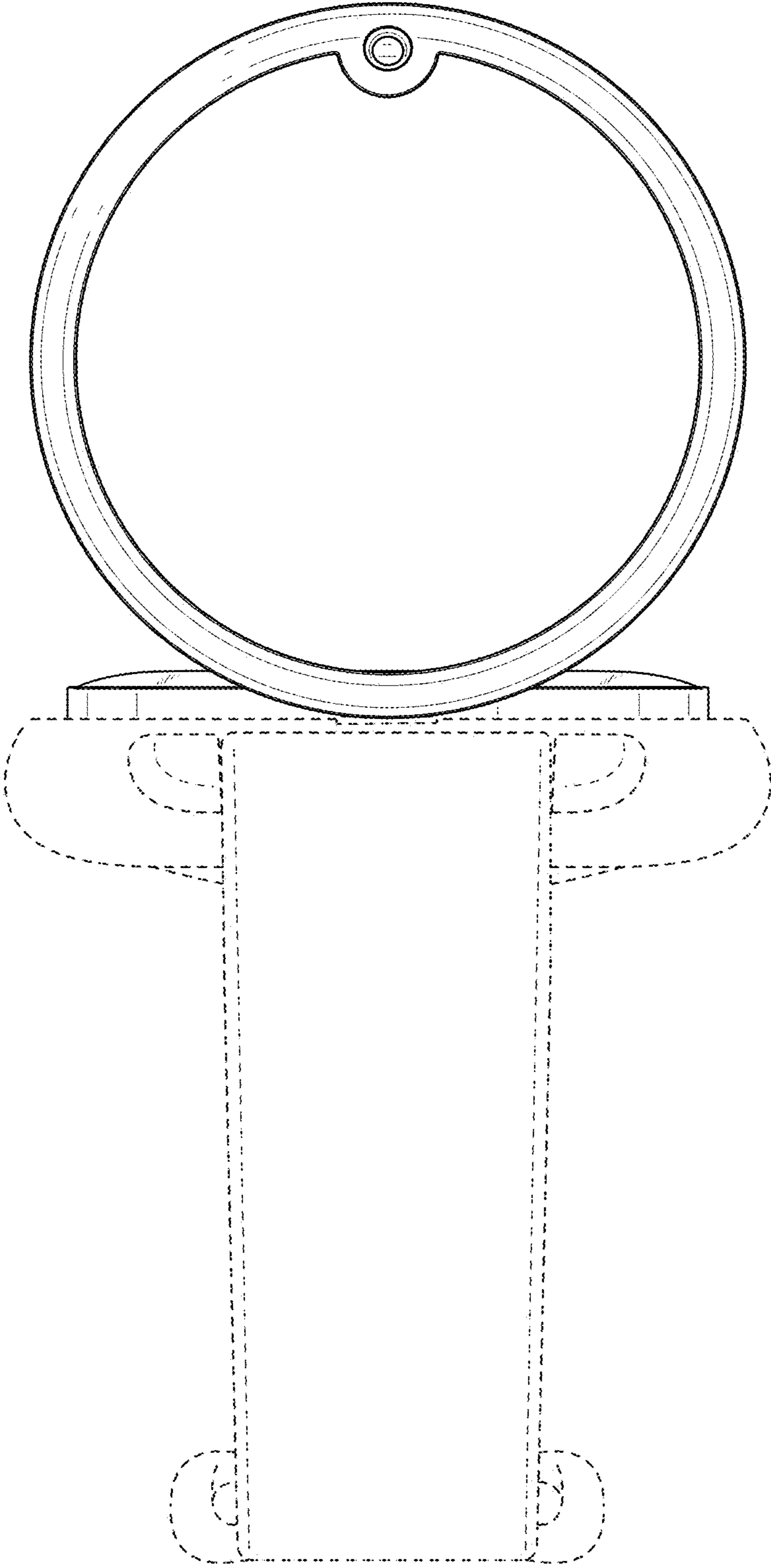


FIG. 3

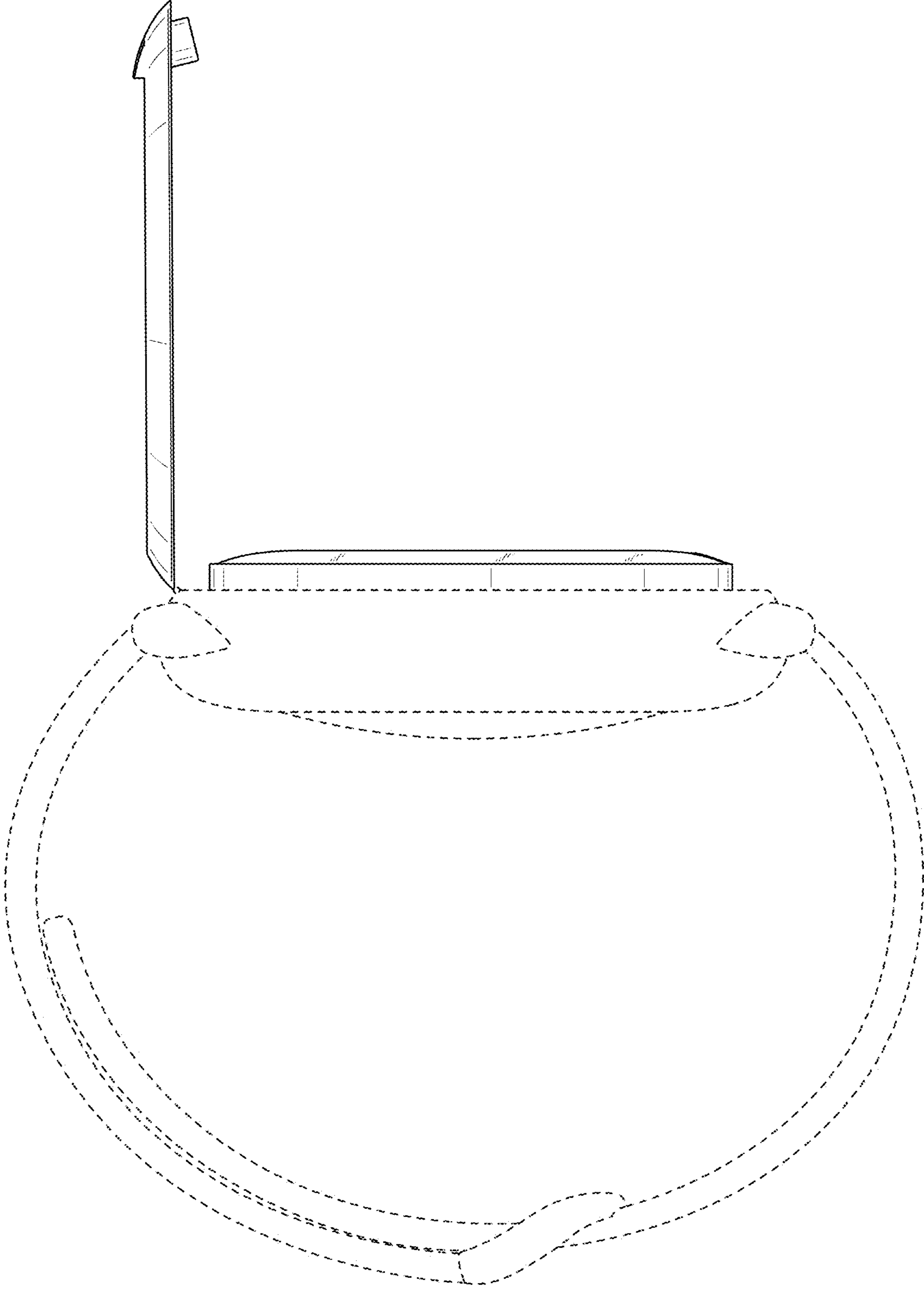


FIG. 4

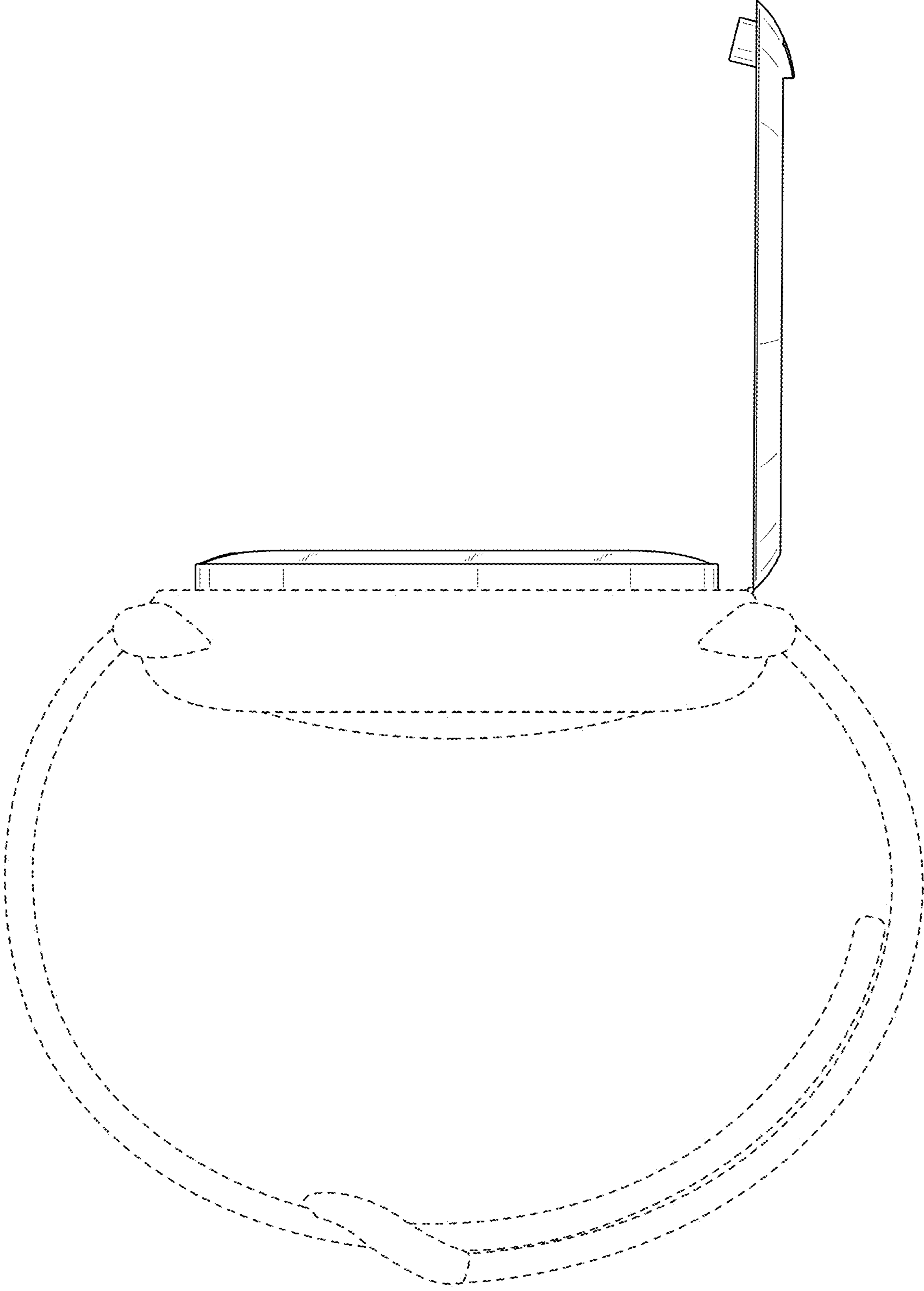


FIG. 5

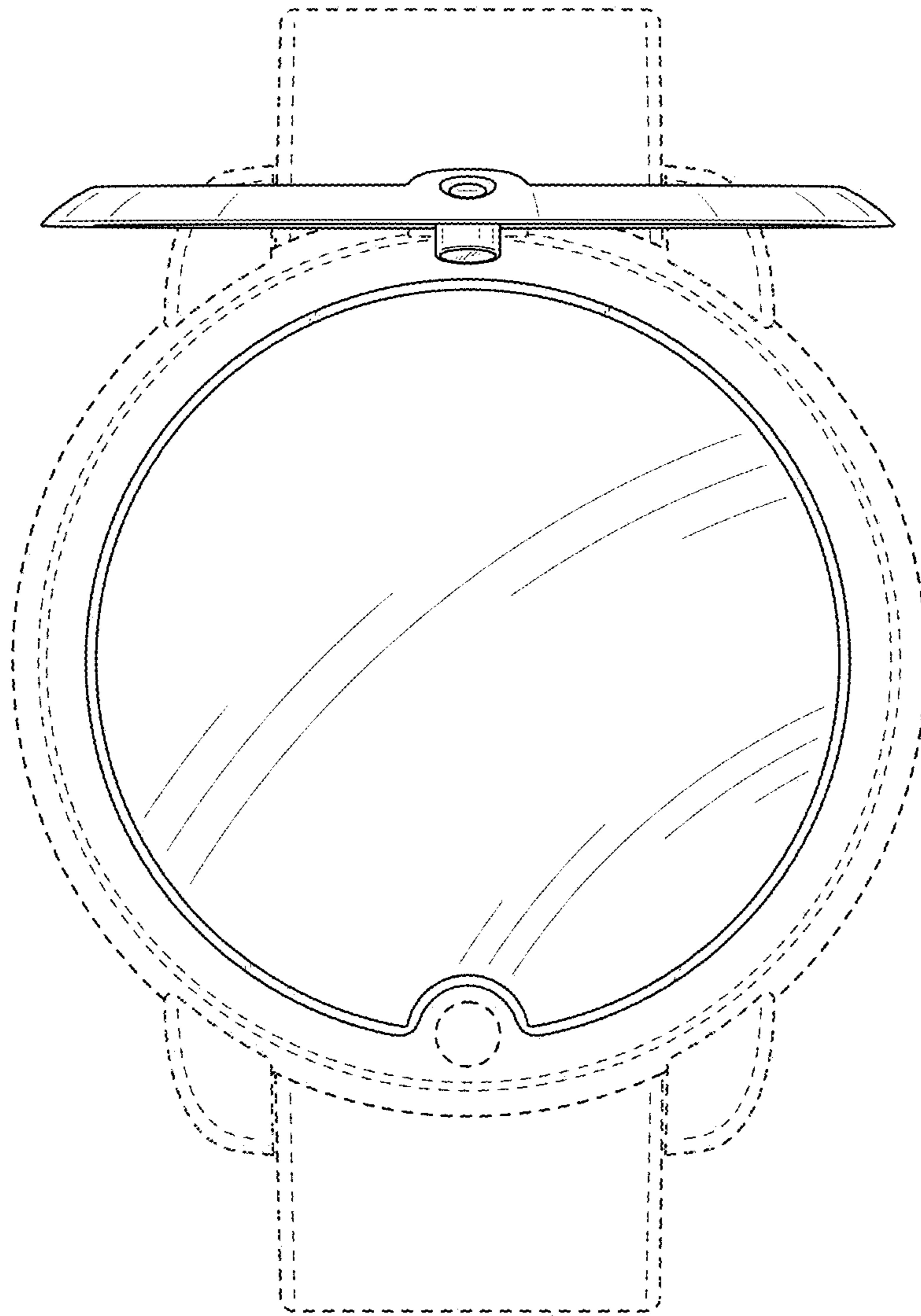


FIG. 6



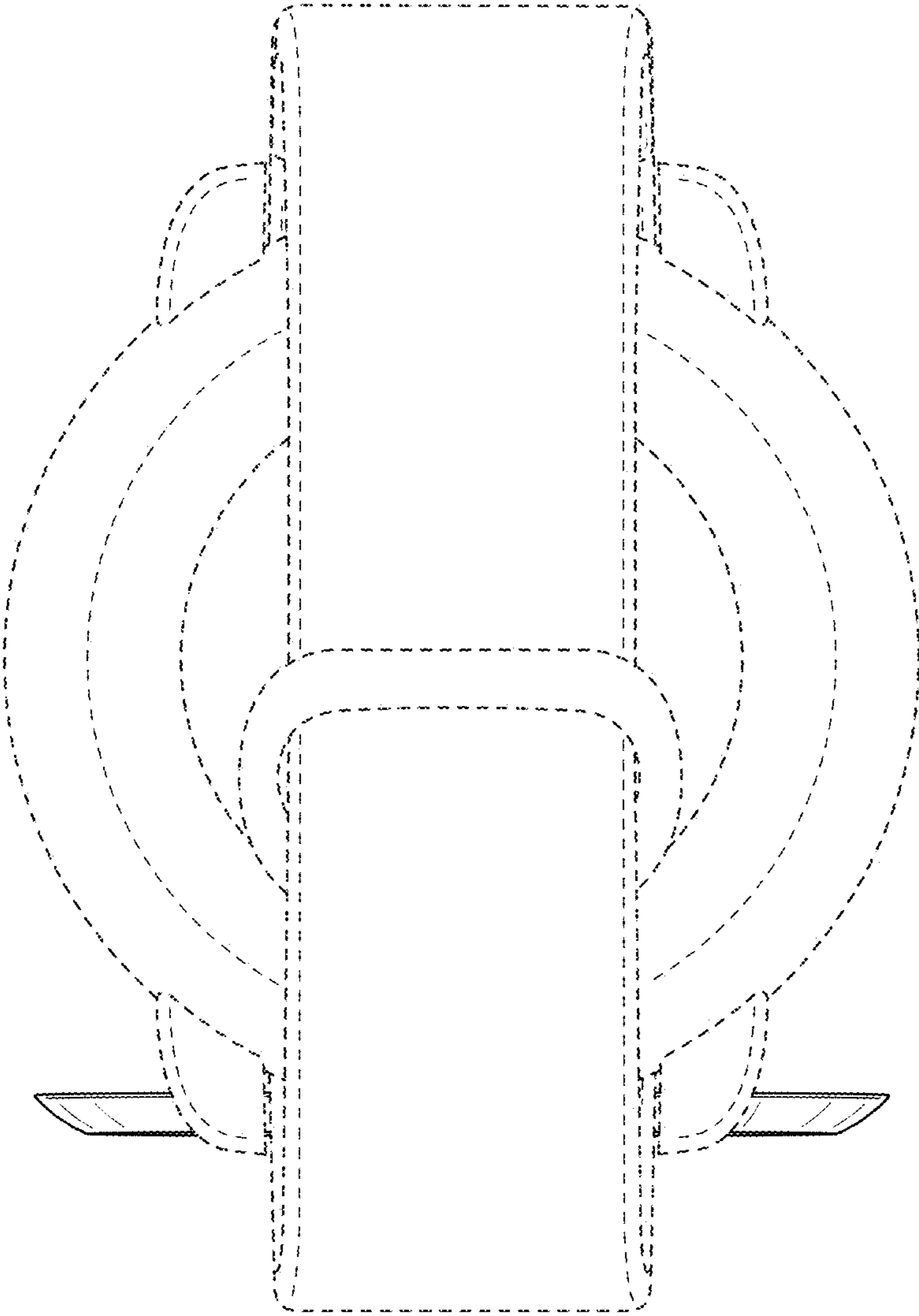


FIG. 7