



US00D968234S

(12) **United States Design Patent** (10) **Patent No.:** **US D968,234 S**
Sakai et al. (45) **Date of Patent:** **** Nov. 1, 2022**

(54) **WRISTWATCH**

(71) Applicant: **SEIKO WATCH KABUSHIKI KAISHA**, Tokyo (JP)
(72) Inventors: **Kiyotaka Sakai**, Tokyo (JP); **Kento Ito**, Tokyo (JP); **Shinichiro Kubo**, Tokyo (JP)
(73) Assignee: **SEIKO WATCH KABUSHIKI KAISHA**, Tokyo (JP)

(**) Term: **15 Years**
(21) Appl. No.: **29/741,736**
(22) Filed: **Jul. 15, 2020**

(30) **Foreign Application Priority Data**
Jan. 29, 2020 (JP) 2020-001510 D
(51) **LOC (13) Cl.** **10-02**
(52) **U.S. Cl.**
USPC **D10/39**
(58) **Field of Classification Search**
USPC D10/30-39, 122, 126-128, 132
CPC G04B 19/00; G04B 19/02; G04B 19/025;
G04B 19/04; G04B 19/042; G04B 19/06;
G04B 19/065; G04B 19/08; G04B
19/085;

(Continued)
(56) **References Cited**
U.S. PATENT DOCUMENTS
D356,042 S * 3/1995 Nakanishi D10/30
D526,923 S * 8/2006 Okaya D10/126
(Continued)

FOREIGN PATENT DOCUMENTS
CN 304313303 10/2017
CN 304529051 3/2018

OTHER PUBLICATIONS

The Grand Seiko 60th Anniversary SLGH002 | hodinkee.com; May 1, 2020 [online]. © Hodinkee Inc. 2009-2022 [retrieved May 11, 2022] from Internet: <https://www.hodinkee.com/articles/grand-seiko-slgh002-9sa5-escapement-in-depth> (Year: 2020).*

(Continued)

Primary Examiner — Katherine Glennon
(74) *Attorney, Agent, or Firm* — Saidman DesignLaw Group, LLC

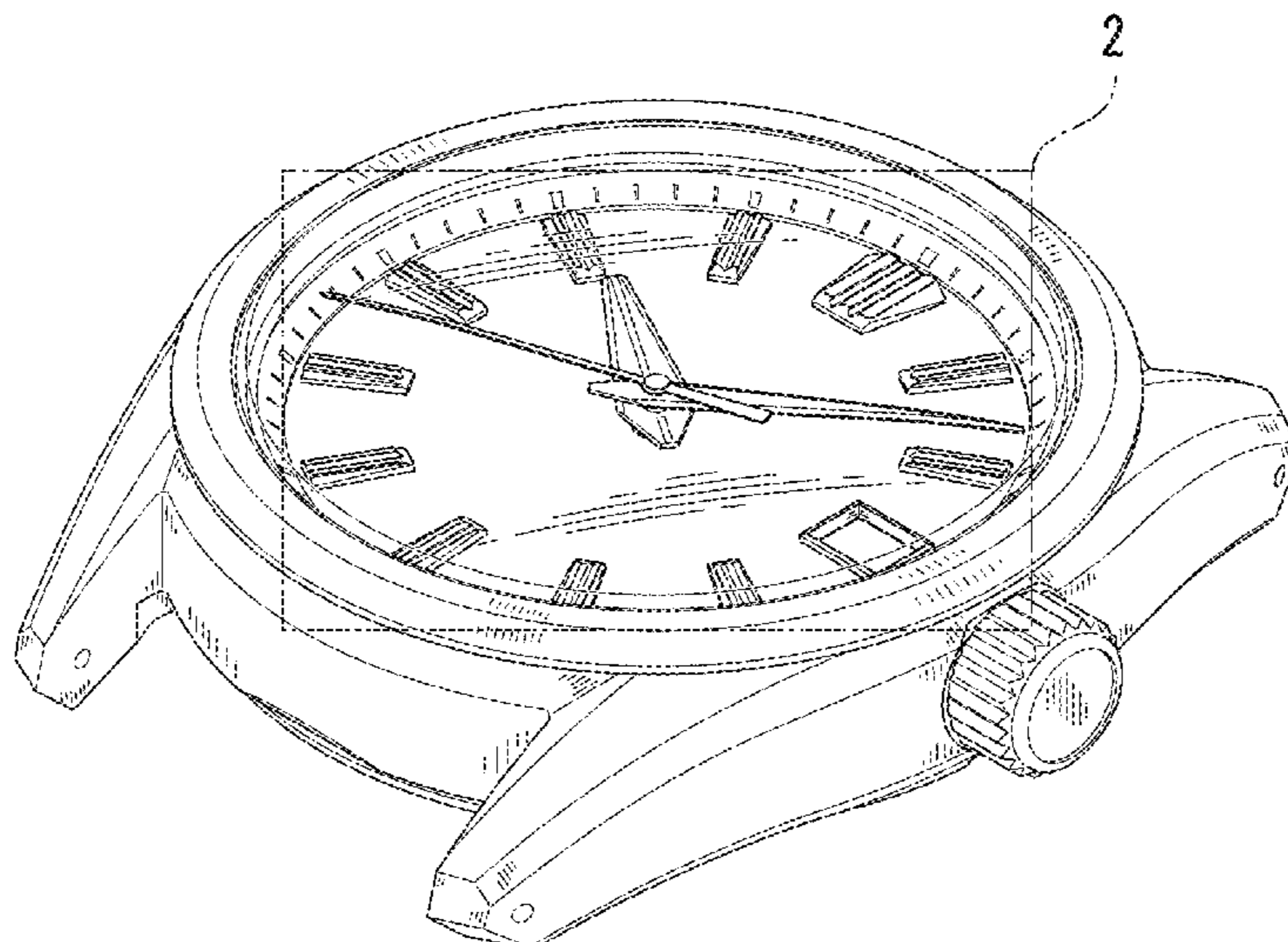
(57) **CLAIM**

The ornamental design for a wristwatch, as shown and described.

DESCRIPTION

FIG. 1 is a perspective view of a first embodiment of a wristwatch showing our new design;
FIG. 2 is an enlarged detail thereof, as defined by the dashed rectangle 2 in FIG. 1;
FIG. 3 is a front view of FIG. 1;
FIG. 4 is a rear view thereof;
FIG. 5 is a left side view thereof;
FIG. 6 is a right side view thereof;
FIG. 7 is a top view thereof;
FIG. 8 is a bottom view thereof;
FIG. 9 is a perspective view of a second embodiment of a wristwatch showing our new design;
FIG. 10 is an enlarged detail thereof, as defined by the dashed rectangle 10 in FIG. 9;
FIG. 11 is a front view of FIG. 9;
FIG. 12 is a rear view thereof;
FIG. 13 is a left side view thereof;
FIG. 14 is a right side view thereof;
FIG. 15 is a top view thereof; and,
FIG. 16 is a bottom view thereof.
The drawings include surface shading which illustrates contour and not surface ornamentation.
The oblique shade lines illustrate a transparent surface.

1 Claim, 16 Drawing Sheets



(58) **Field of Classification Search**

CPC .. G04B 19/087; G04B 37/00; G04B 37/0058;
 G04B 37/14; G04B 37/1446; G04B
 37/18; G04B 45/0046; G04B 45/0069;
 G04B 45/0076; G04B 39/00; G04B
 39/002; G04B 39/0004; G04B 39/0006

See application file for complete search history.

D748,501 S *	2/2016	Cerrato	D10/30
D795,086 S *	8/2017	Monachon	D10/30
D797,576 S *	9/2017	Monachon	D10/30
D801,195 S *	10/2017	Monachon	D10/30
D820,693 S *	6/2018	Hoi	D10/39
D849,565 S *	5/2019	Behling	D10/39
D943,429 S *	2/2022	Behling	D10/30
2021/0034017 A1 *	2/2021	Satoh	G04B 19/12

(56)

References Cited

U.S. PATENT DOCUMENTS

D531,536 S *	11/2006	Lovegrove	D10/126
D537,368 S *	2/2007	Oshita	D10/39
D746,712 S *	1/2016	Cerrato	D10/126
D746,713 S *	1/2016	Cerrato	D10/126
D746,717 S *	1/2016	Cerrato	D10/127
D747,232 S *	1/2016	Gueit	D10/127
D747,233 S *	1/2016	Cerrato	D10/127

OTHER PUBLICATIONS

Grand Seiko USA Exclusive Seasons Collection | ablogtowatch.com; Jun. 2019 [online]. © 2007-2022. aBlogtoWatch [retrieved May 11, 2022] from Internet: <<https://www.ablogtowatch.com/grand-seiko-usa-exclusive-seasons-collection-watches-hands-on/>> (Year: 2019).*

* cited by examiner

Fig. 1

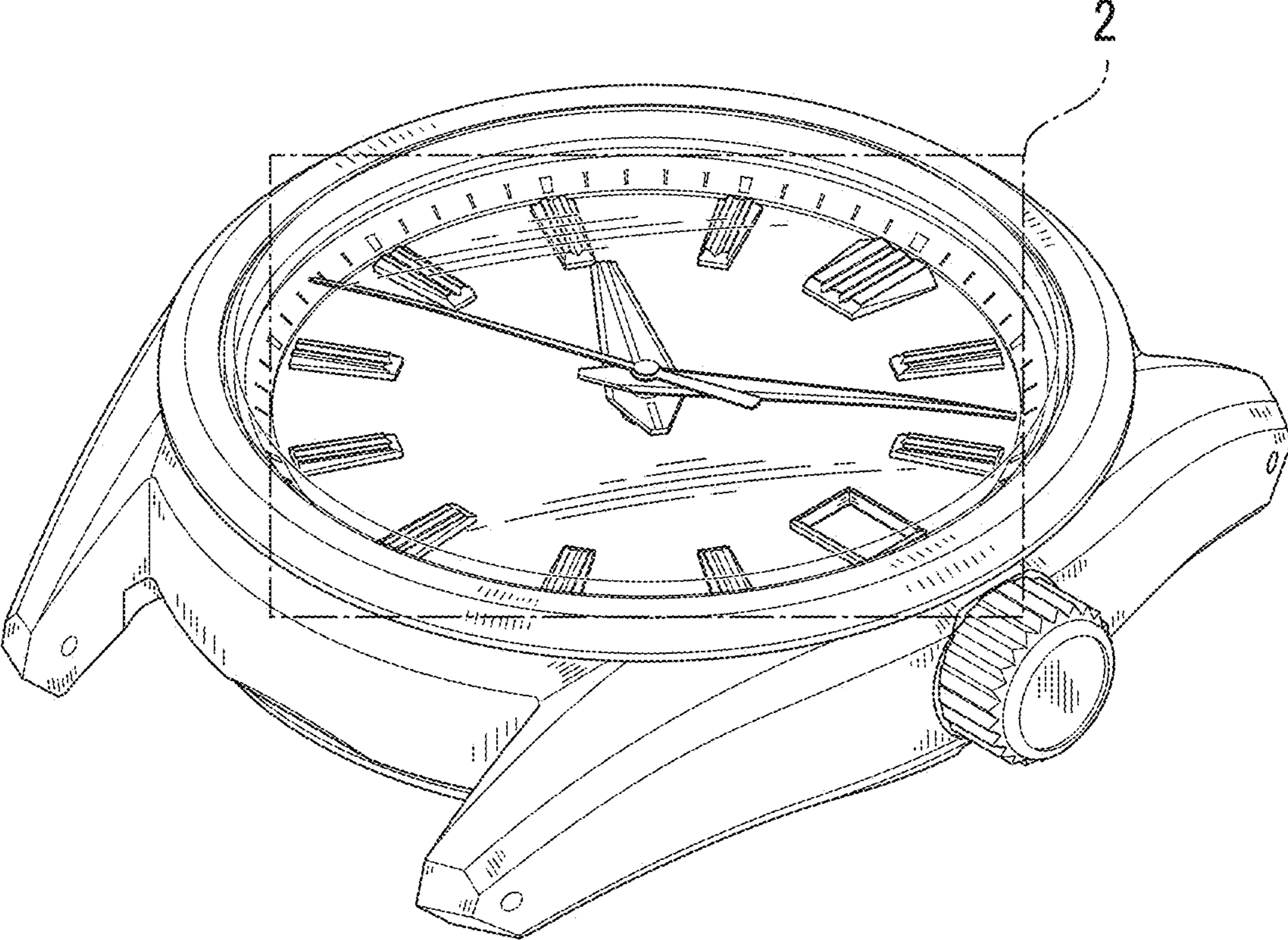


Fig.2

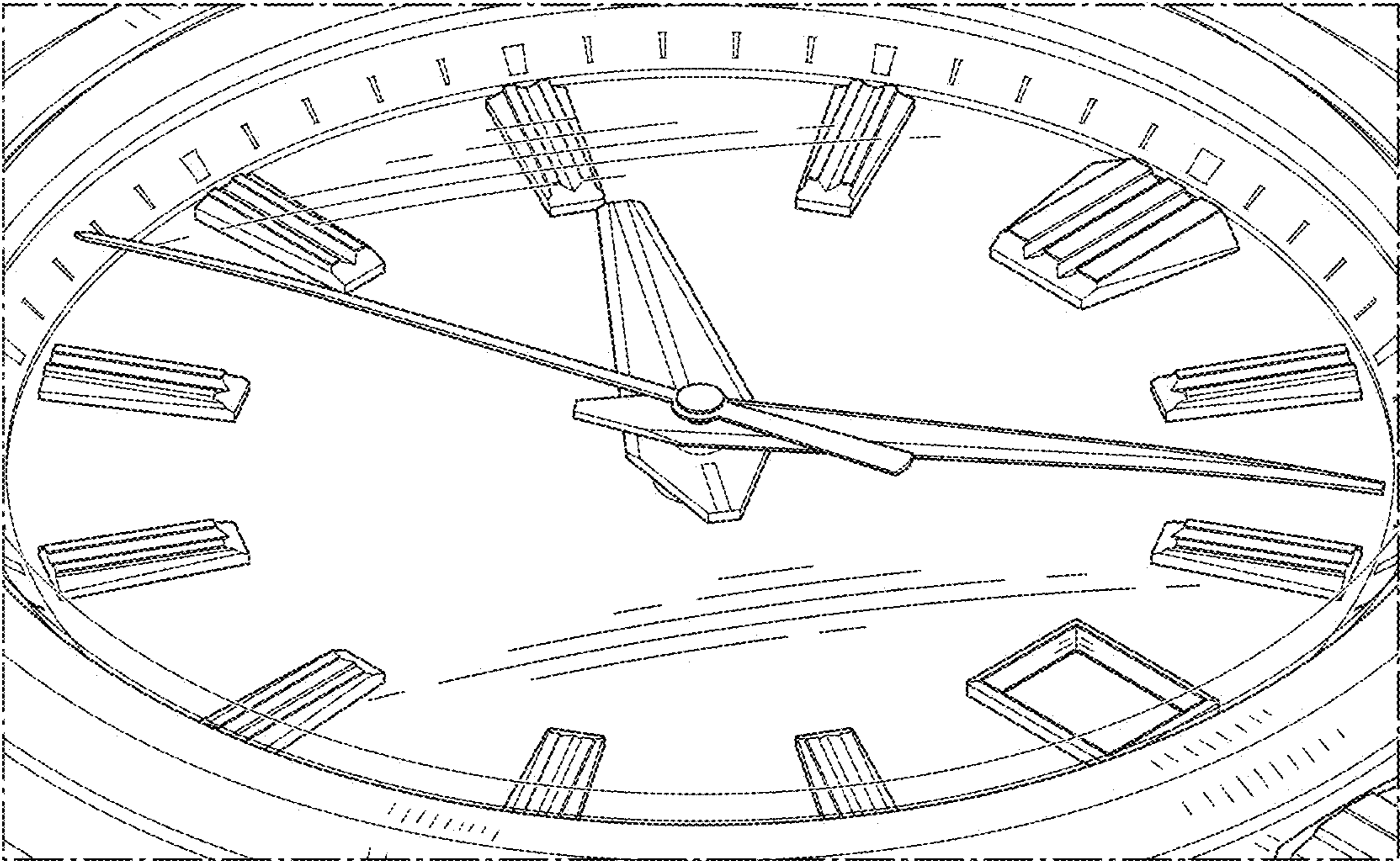


Fig.3

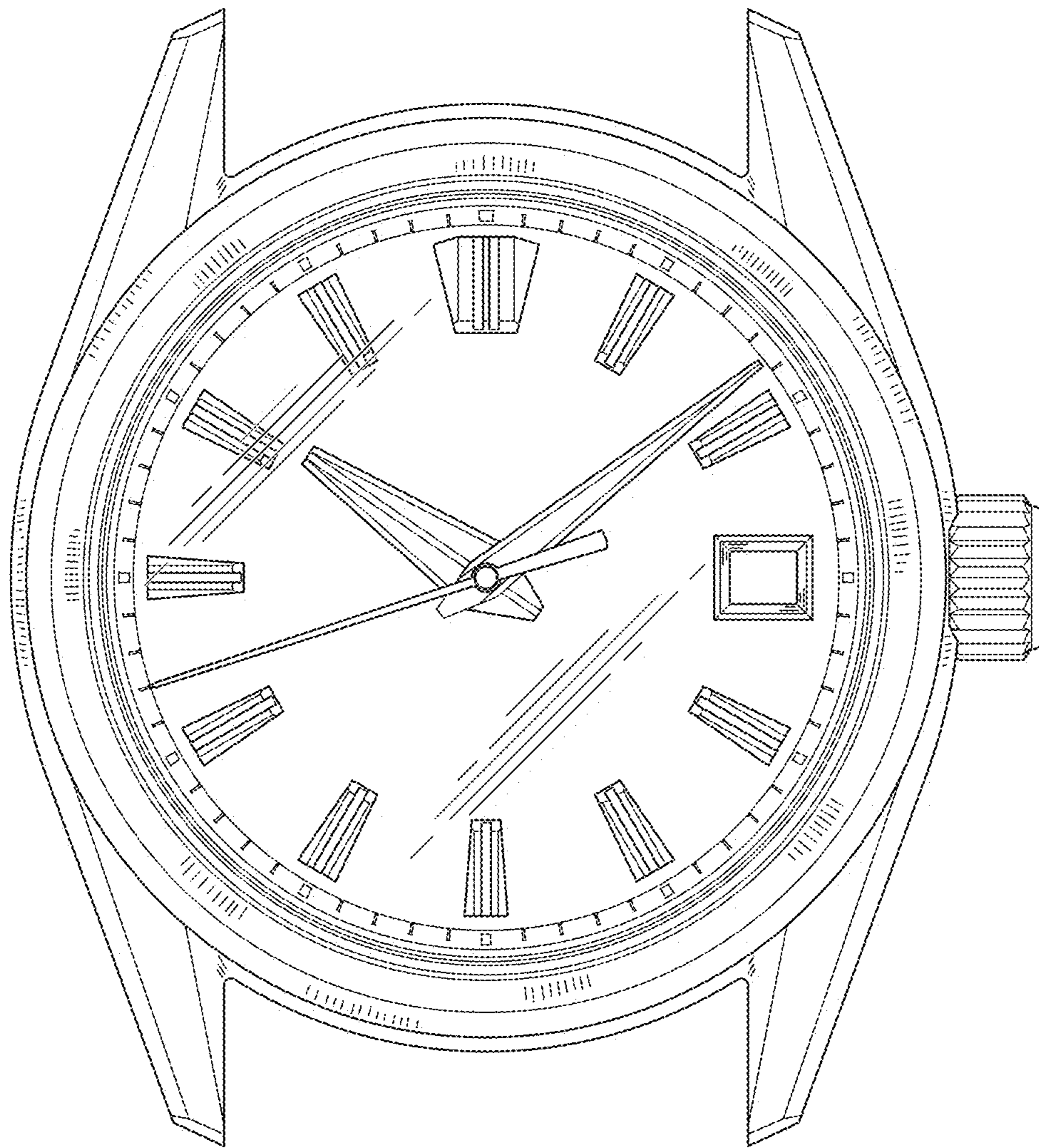


Fig.4

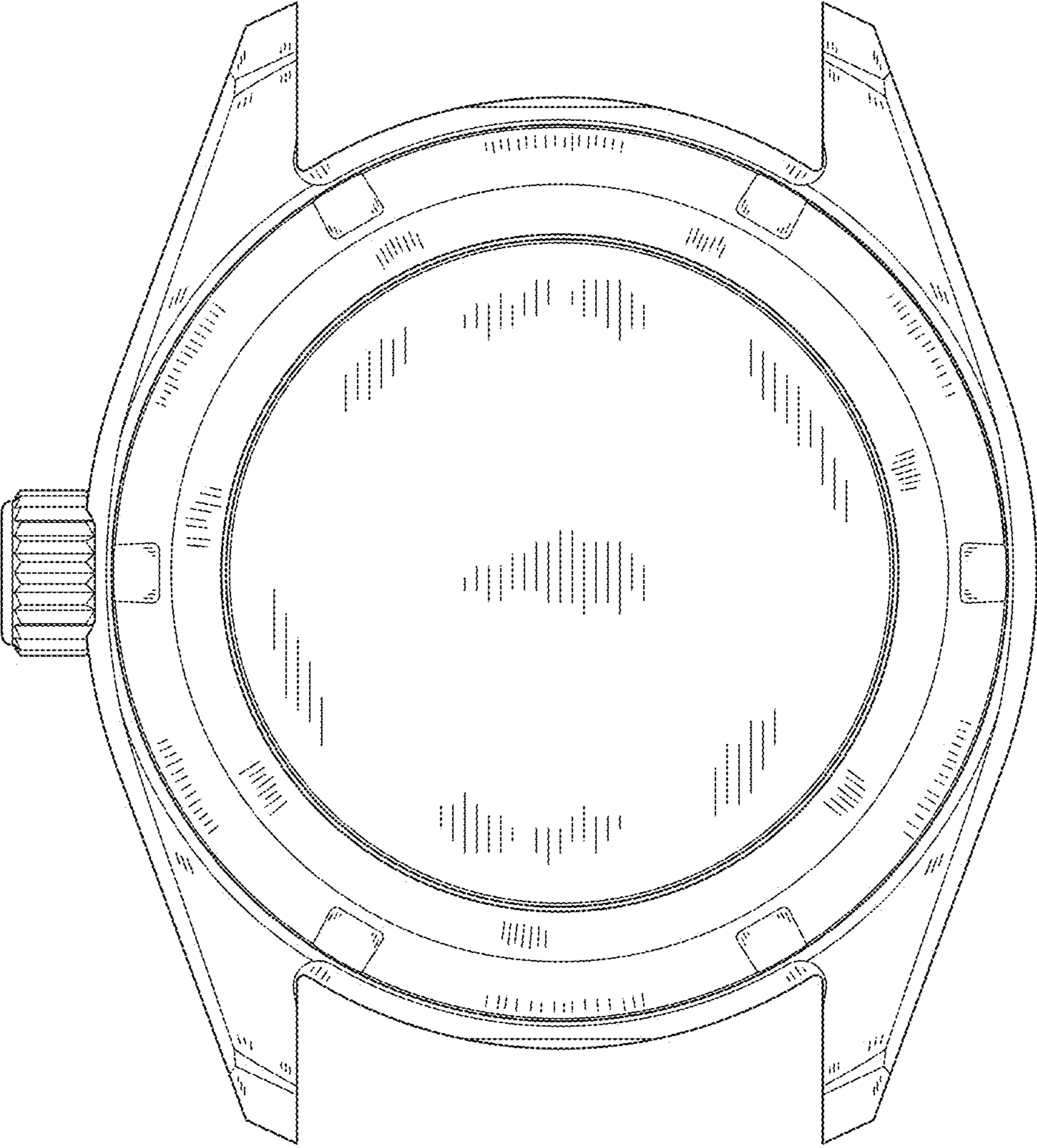


Fig.5

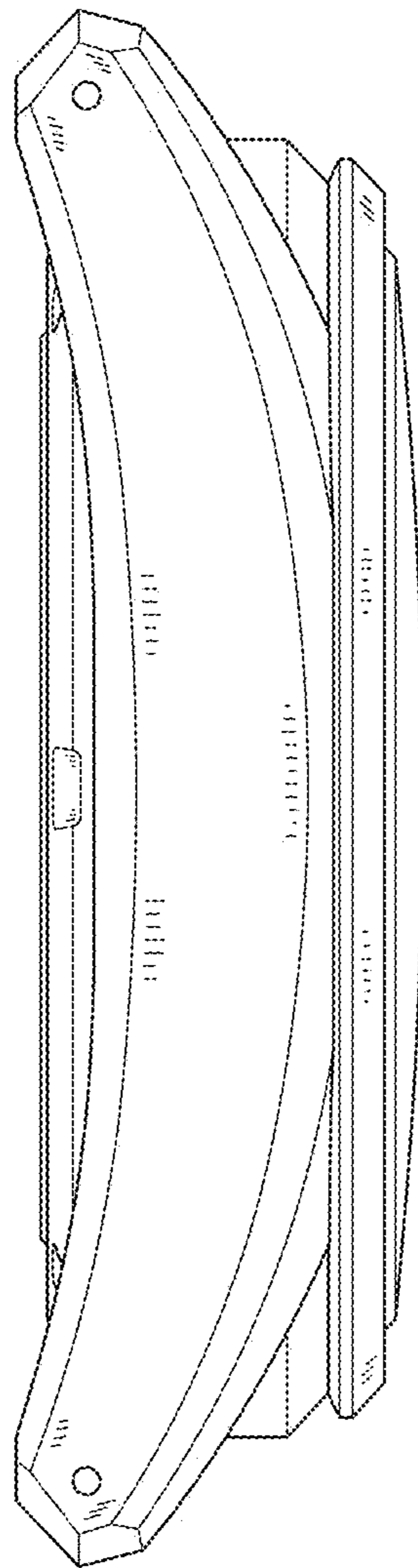


Fig.6

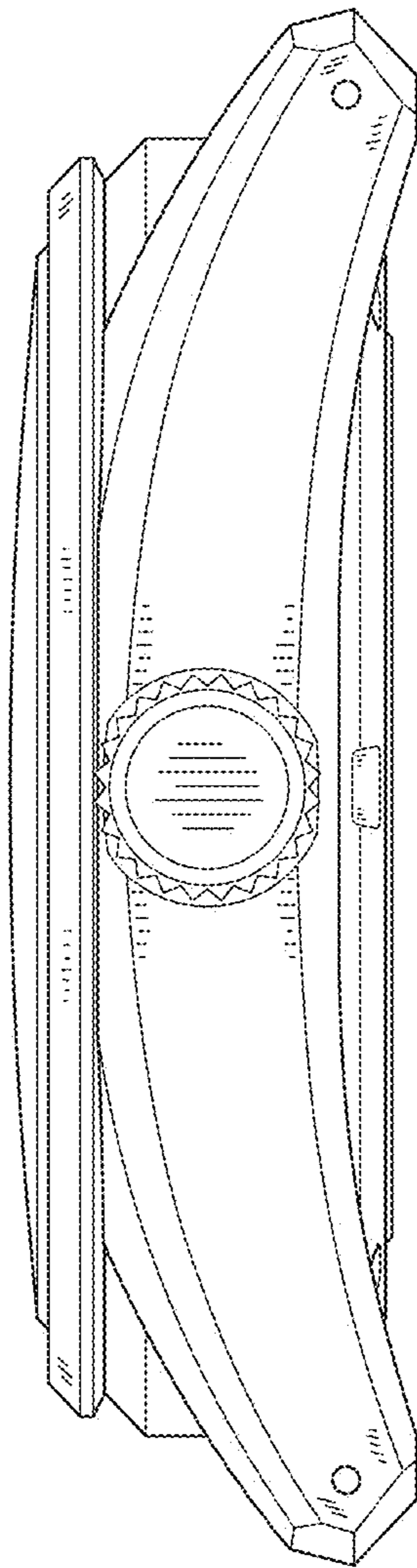


Fig.7

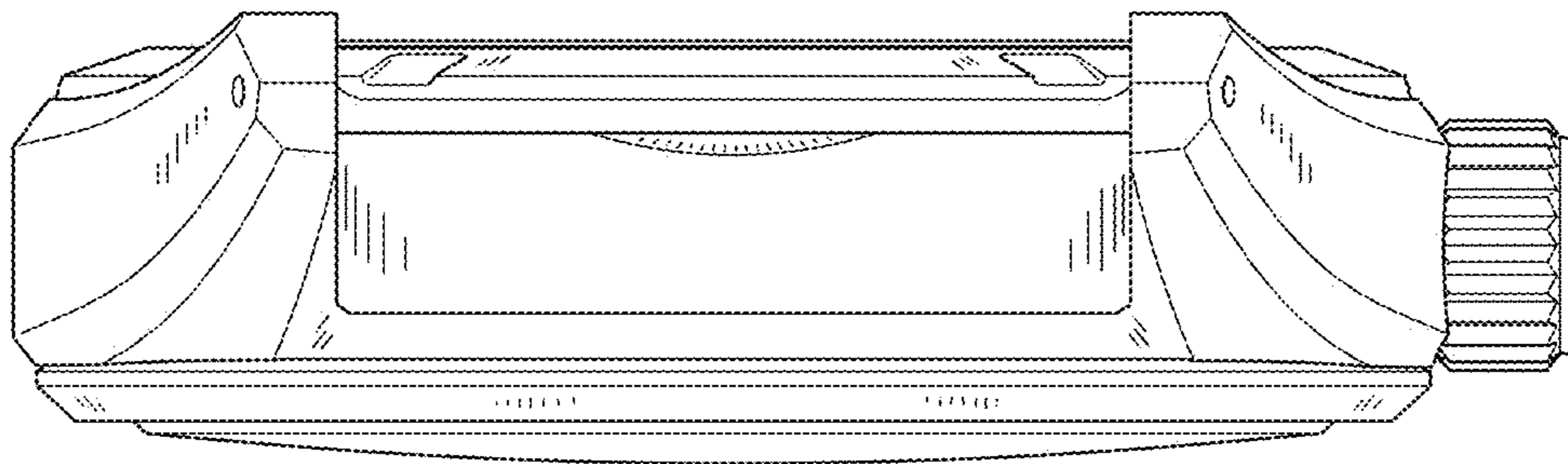


Fig.8

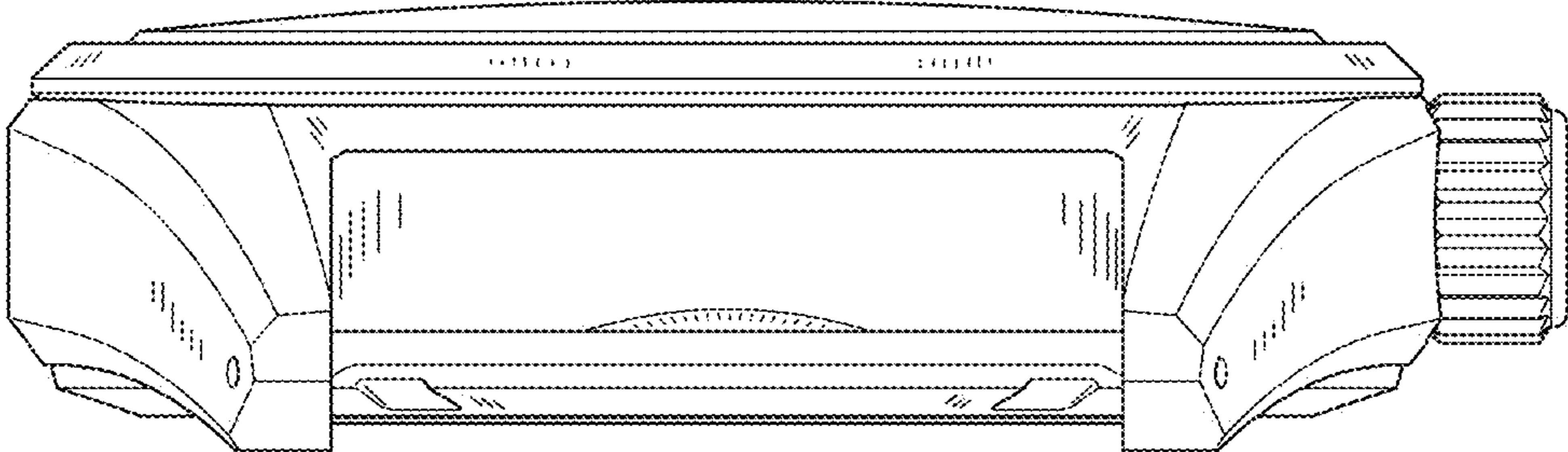


Fig.9

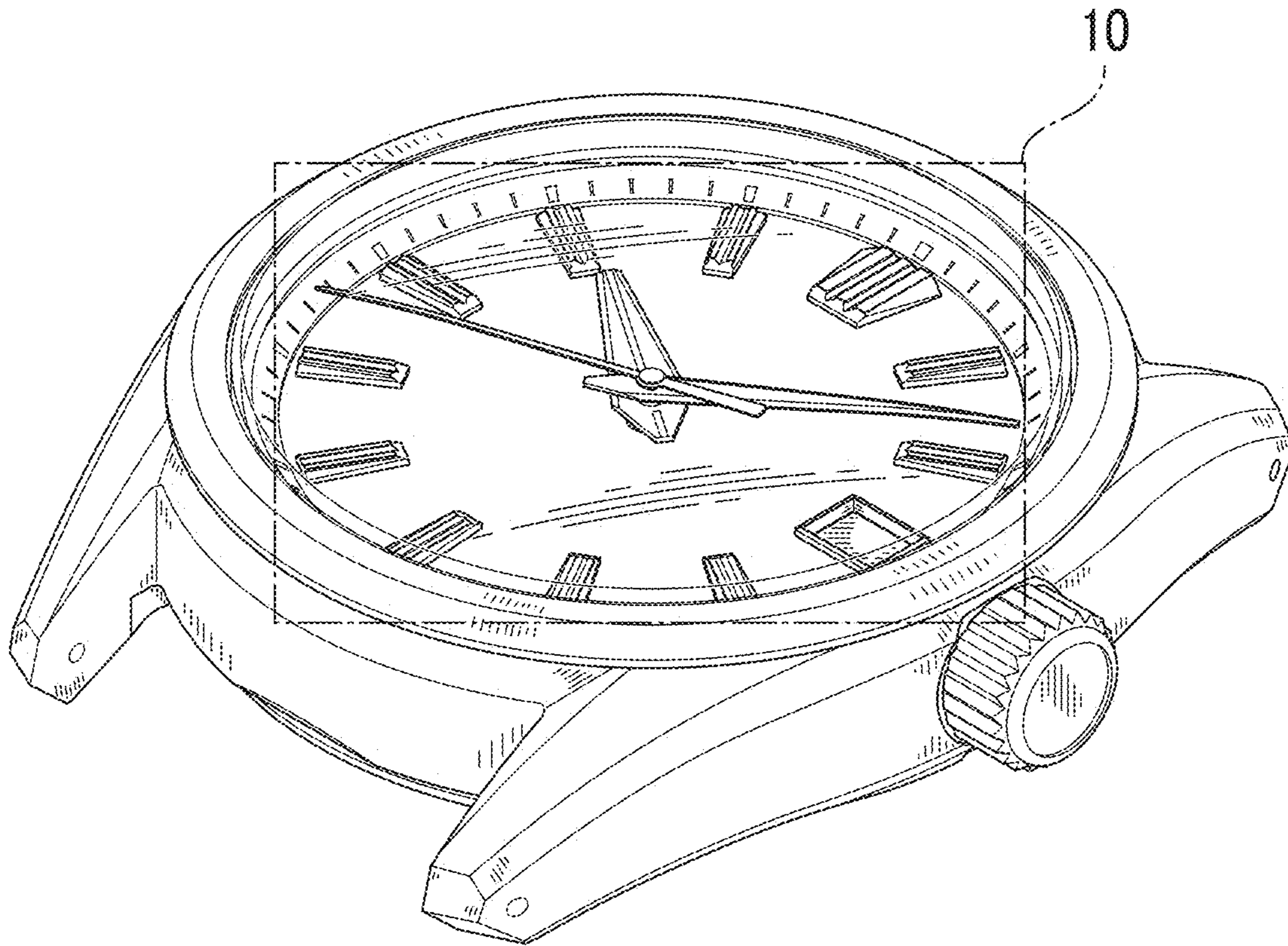


Fig.10

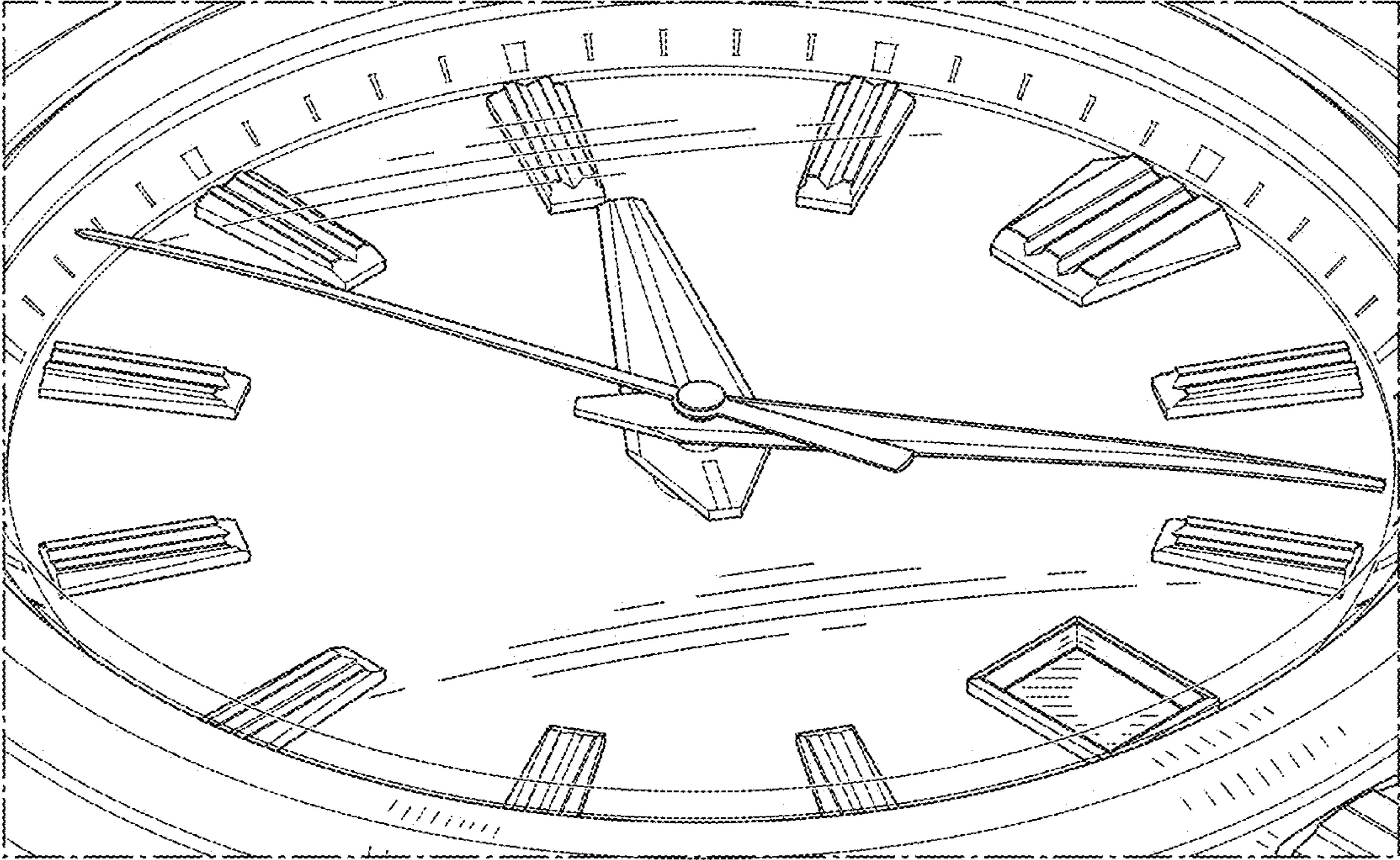


Fig.11

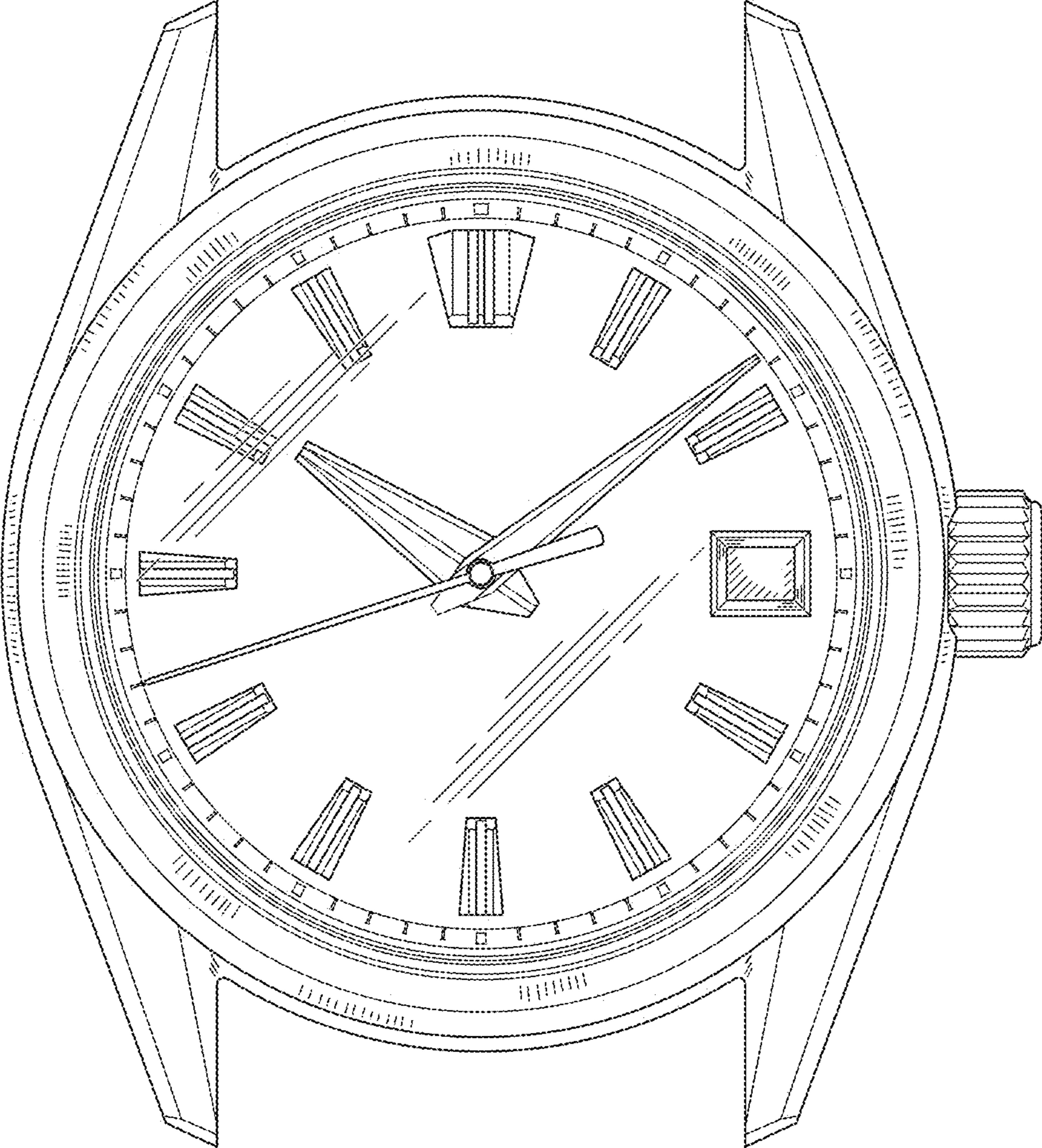


Fig.12

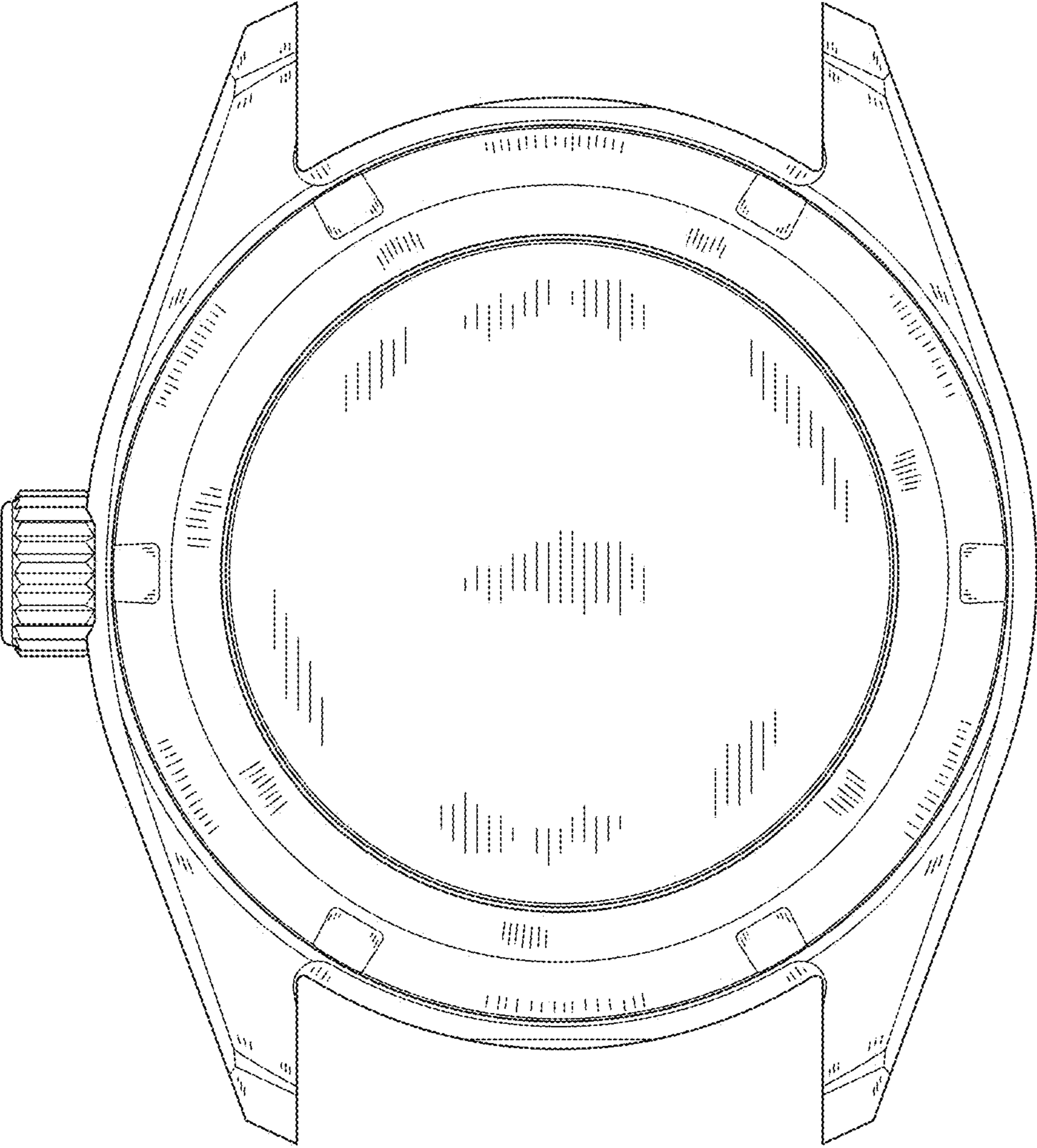


Fig. 13

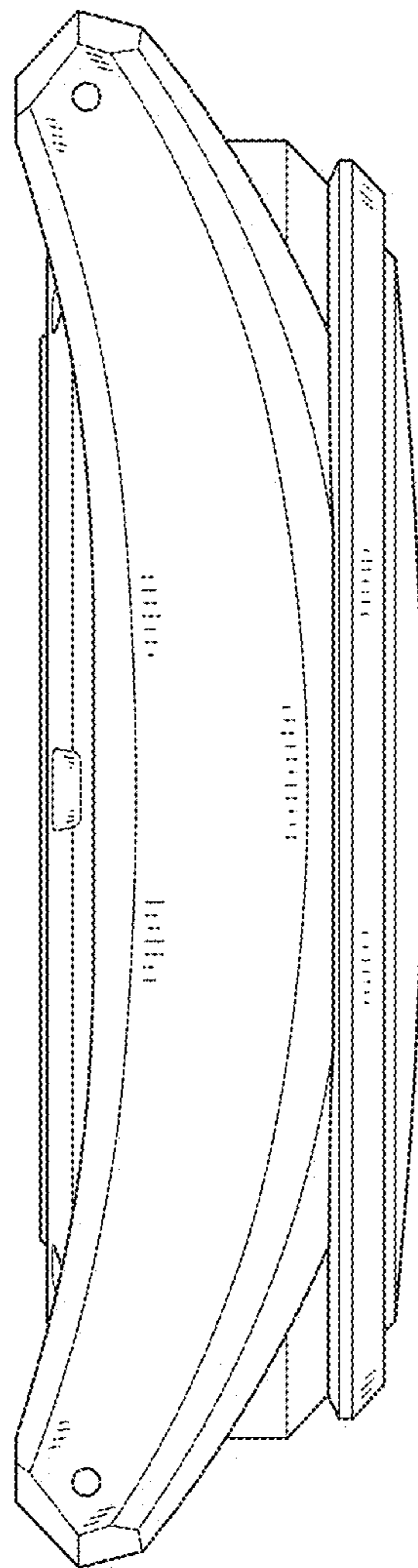


Fig. 14

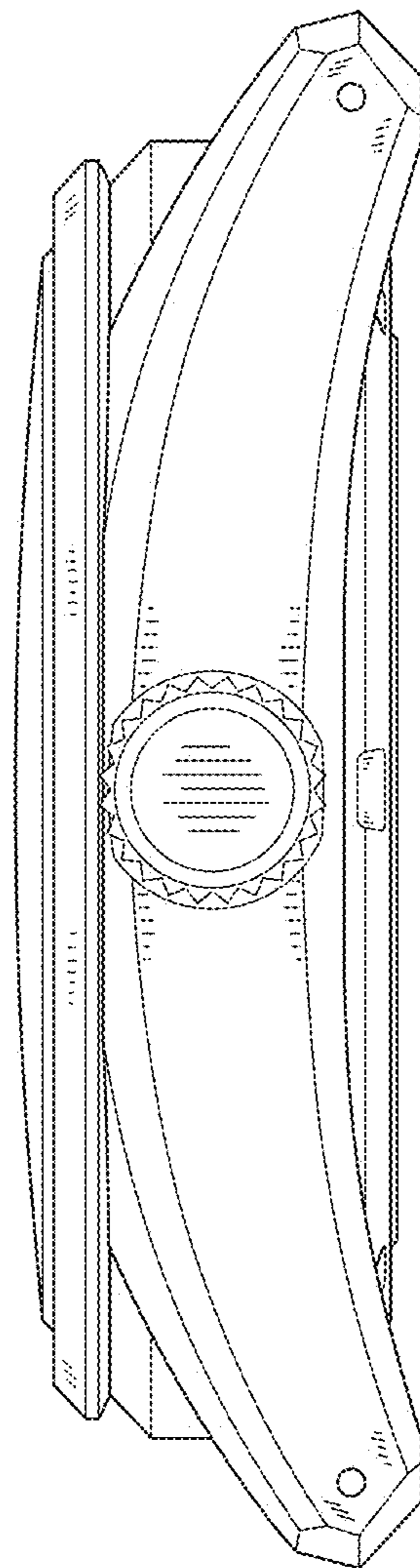


Fig.15

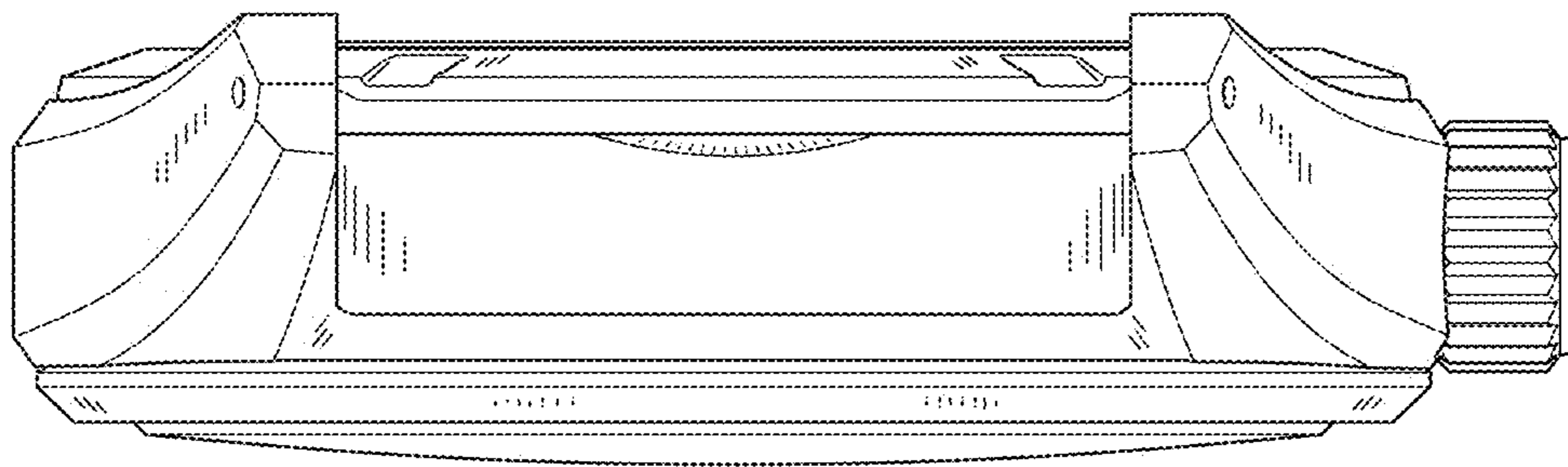


Fig.16

