



US00D968233S

(12) **United States Design Patent** (10) **Patent No.:** **US D968,233 S**
Page et al. (45) **Date of Patent:** **** Nov. 1, 2022**

(54) **COMBINED DUAL OPENING BEVERAGE CAN WITH ATTACHABLE SUBSTRATE WITH REMOVABLE PULL TAB**
(71) Applicants: **Robert Page**, Oakley, CA (US); **Daniel Robello**, Oakley, CA (US)
(72) Inventors: **Robert Page**, Oakley, CA (US); **Daniel Robello**, Oakley, CA (US)
(**) Term: **15 Years**
(21) Appl. No.: **29/687,001**
(22) Filed: **Apr. 9, 2019**
(51) **LOC (13) Cl.** **09-01**
(52) **U.S. Cl.**
USPC **D9/773**; D9/518; D9/902
(58) **Field of Classification Search**
USPC D9/500, 502, 516, 530, 537, 539, 542, D9/549, 763-783, 438, 902, 903, 416, D9/434, 435, 454, 518
CPC B21D 51/26; B21D 51/383; B29C 66/71; B65D 1/00; B65D 1/02; B65D 1/12; B65D 1/14; B65D 1/40; B65D 1/44; B65D 1/023; B65D 1/0223; B65D 1/165; B65D 1/238; B65D 1/246; B65D 1/253; B65D 7/04; B65D 21/0209; B65D 21/0233; B65D 25/00; B65D 25/28; B65D 41/0457; B65D 41/17; B65D 53/06; B65D 75/56; B65D 79/005; B65D 2501/0036; B65D 2543/00064; B65D 2543/00074; B65D 2543/00083; B65D 2543/00092; B65D 2543/00101; B65D 2543/00111; Y10T 29/49826
See application file for complete search history.

(56) **References Cited**
U.S. PATENT DOCUMENTS
3,973,719 A * 8/1976 Johnson B65D 15/08 229/125.05
D321,128 S * 10/1991 DeBose, Jr. B65D 15/08 D9/518
5,782,373 A * 7/1998 Bianchi B65D 17/4012 D9/518
6,015,060 A * 1/2000 Rightenour B65D 17/4012 220/269

(Continued)

OTHER PUBLICATIONS

Notice of Allowance dated Jul. 18, 2022 in U.S. Appl. No. 29/717,947, filed Dec. 19, 2019. 10 pages.

Primary Examiner — Keli L Hill

(74) *Attorney, Agent, or Firm* — Kilpatrick Townsend & Stockton LLP

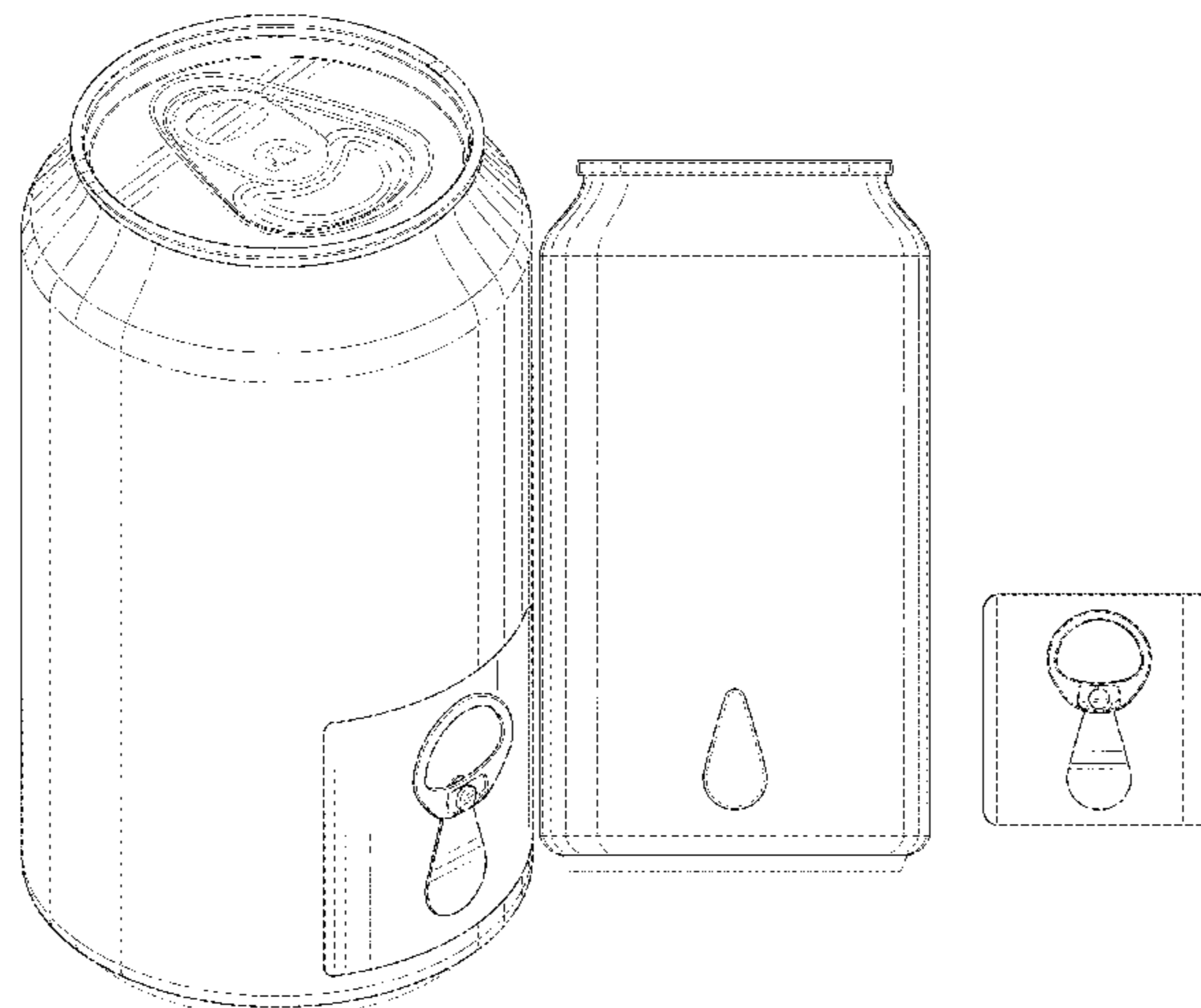
(57) **CLAIM**

The ornamental design for a combined dual opening beverage can with attachable substrate with removable pull tab, as shown and described.

DESCRIPTION

FIG. 1 is a top front perspective view of a combined dual opening beverage can with attachable substrate with removable pull tab, showing our new design;
FIG. 2 is a front view thereof;
FIG. 3 is a rear view thereof;
FIG. 4 is a left side view thereof;
FIG. 5 is a right side view thereof;
FIG. 6 is a top view thereof;
FIG. 7 is a bottom view thereof;
FIG. 8 is an alternate front view thereof, showing the substrate and pull tab portions separated from the can; and,
FIG. 9 is another alternate front view thereof, showing the pull tab portion separated from the substrate and can.
The broken lines shown are included for the purpose of illustrating portions of the combined dual opening beverage can with attachable substrate with removable pull tab that form no part of the claim.

1 Claim, 9 Drawing Sheets



(56)

References Cited

U.S. PATENT DOCUMENTS

6,250,491 B1 * 6/2001 Lee B65D 17/402
220/661
6,981,608 B2 * 1/2006 Battmer B65D 17/4012
220/661
D569,271 S * 5/2008 Gowans D9/767
D570,228 S * 6/2008 van Dam D9/772
D623,963 S * 9/2010 Fairchild, Jr. D9/772
D632,589 S * 2/2011 George D9/772
D653,949 S 2/2012 Tanaka et al.
D653,964 S * 2/2012 Cepetic D9/773
D671,843 S * 12/2012 Plosky B65D 17/4012
D9/773
D678,784 S * 3/2013 Aranha B65D 17/4012
D9/772
D696,951 S 1/2014 Tanaka et al.
D732,402 S * 6/2015 Jones B65D 17/402
D9/772

* cited by examiner

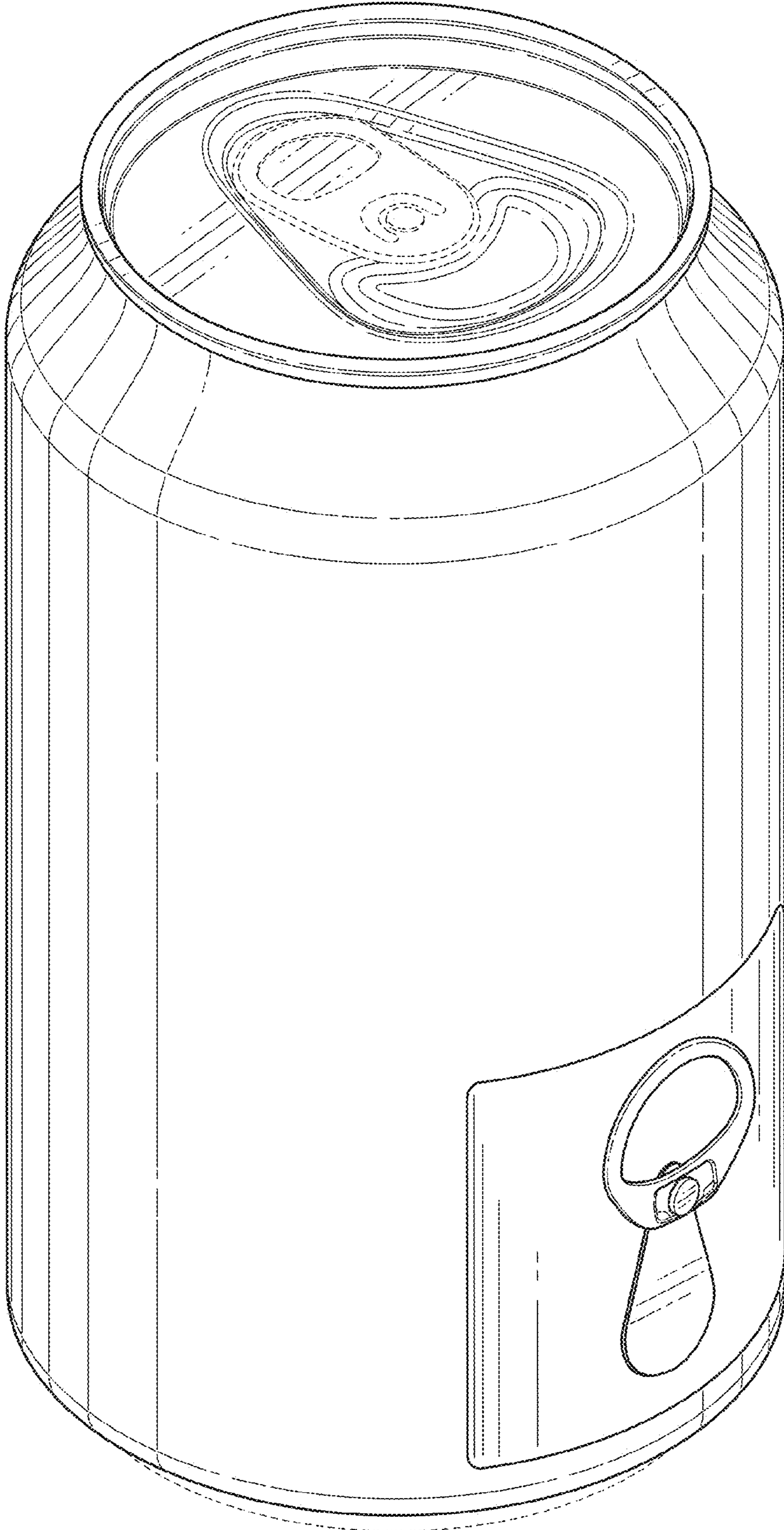


FIG. 1

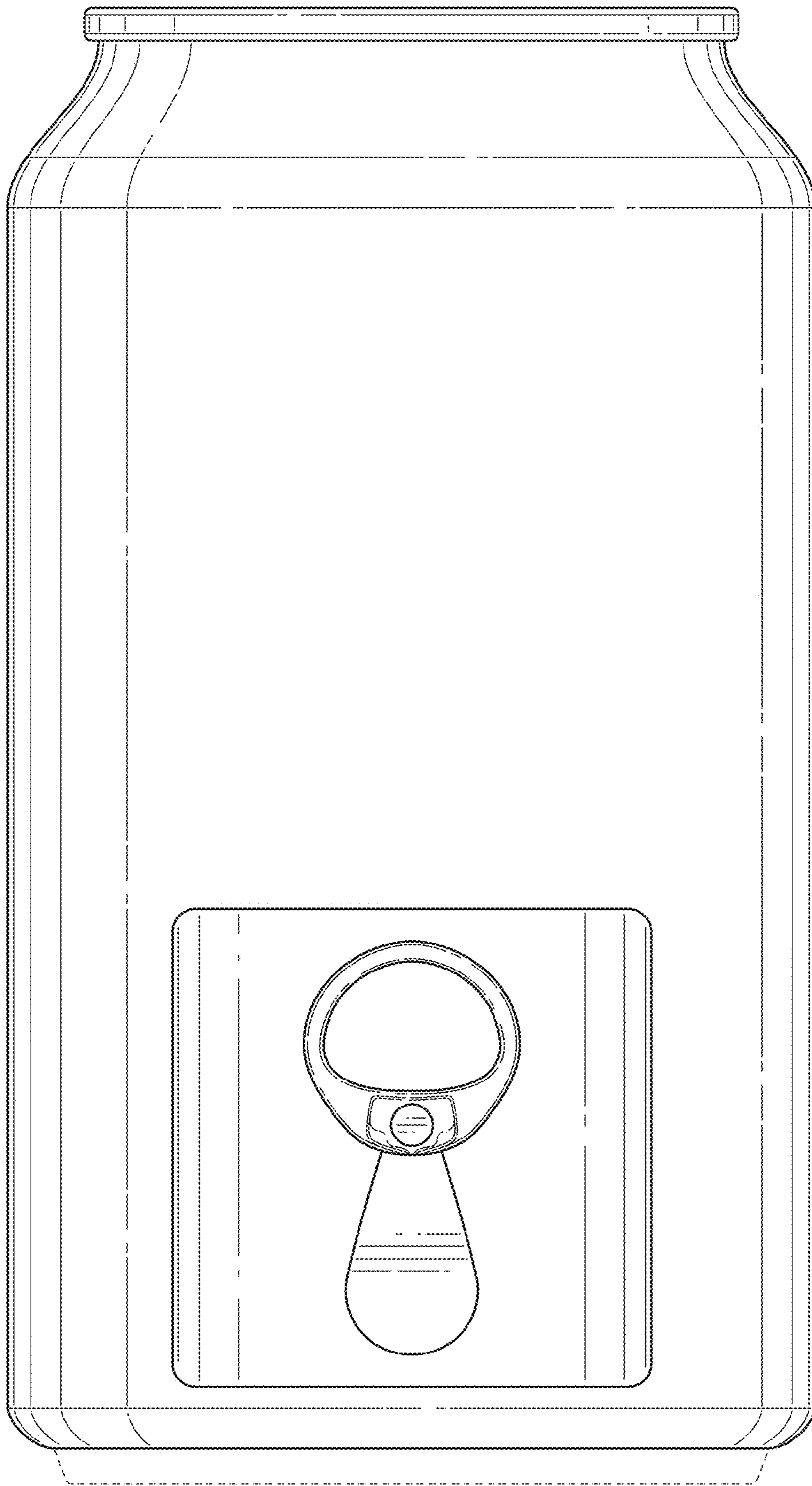


FIG. 2

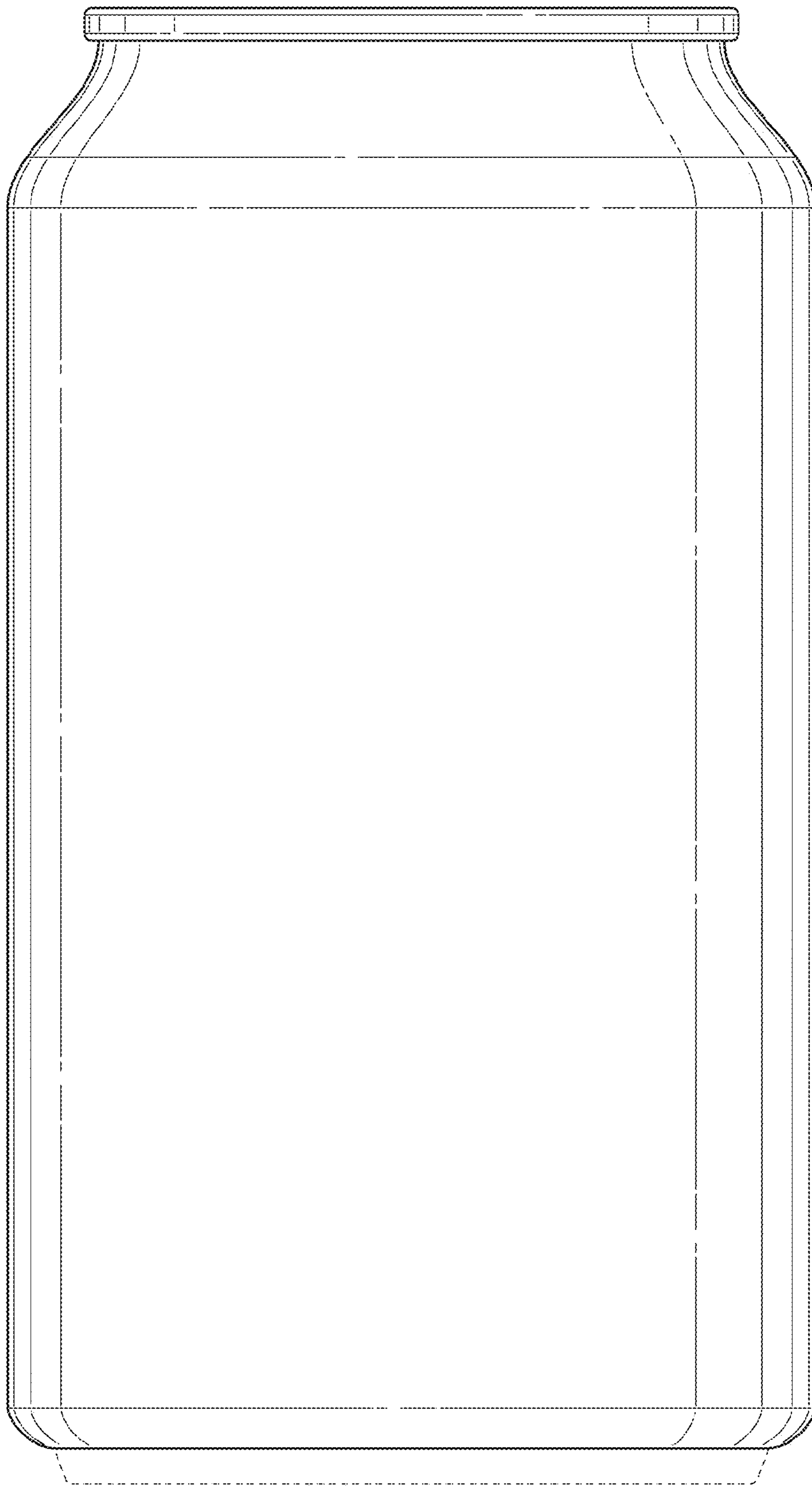


FIG. 3

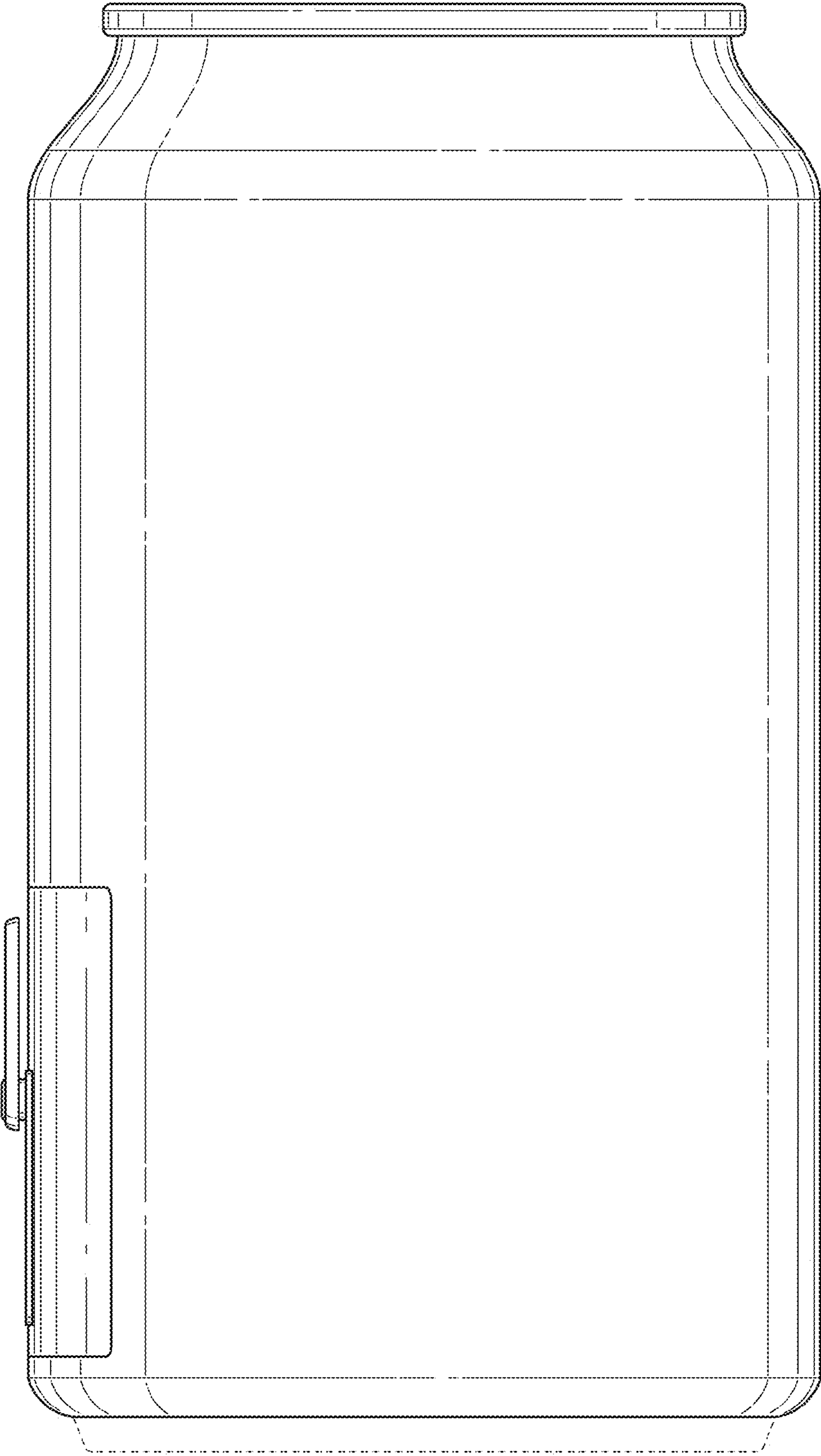


FIG. 4

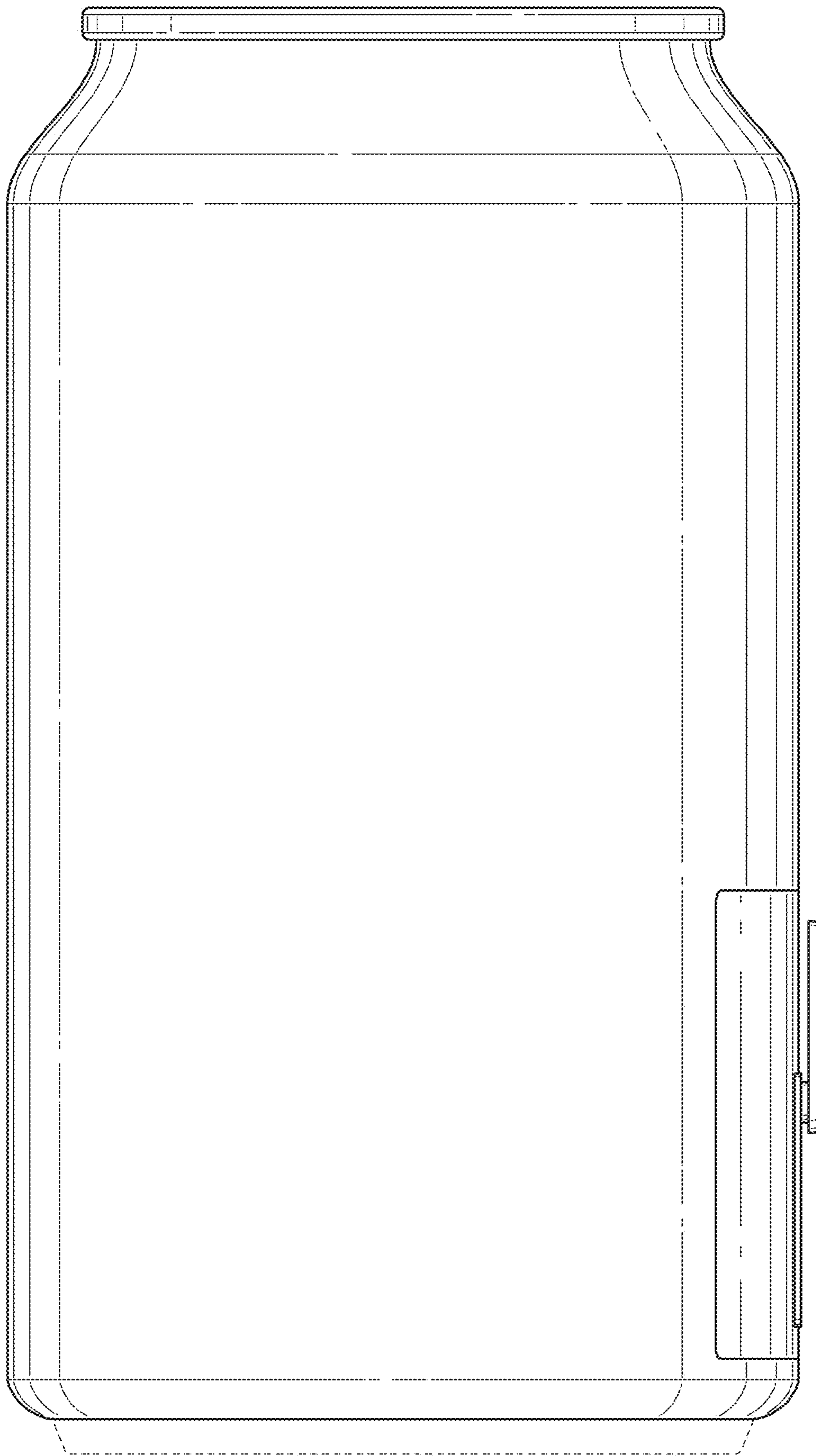


FIG. 5

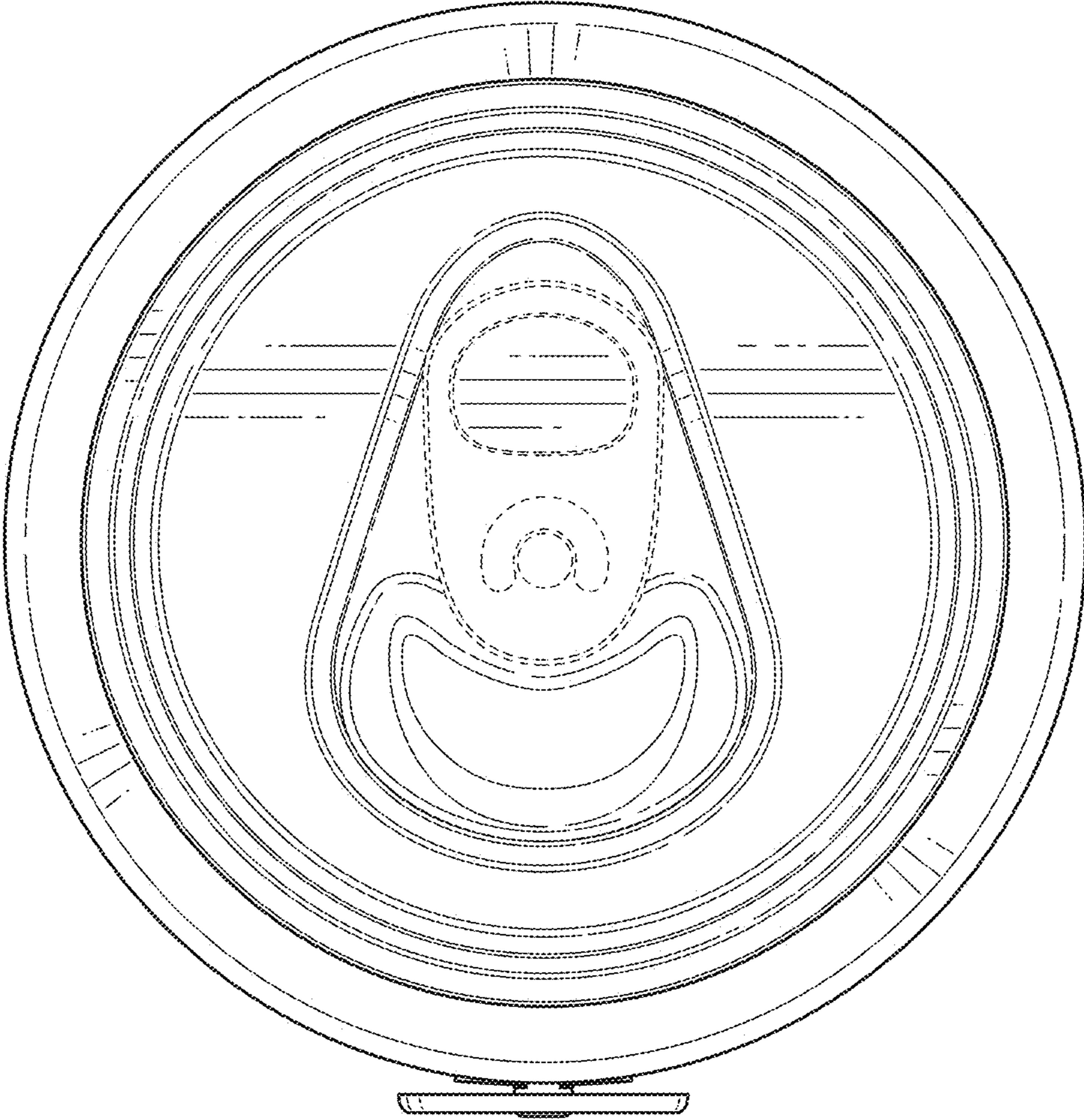


FIG. 6

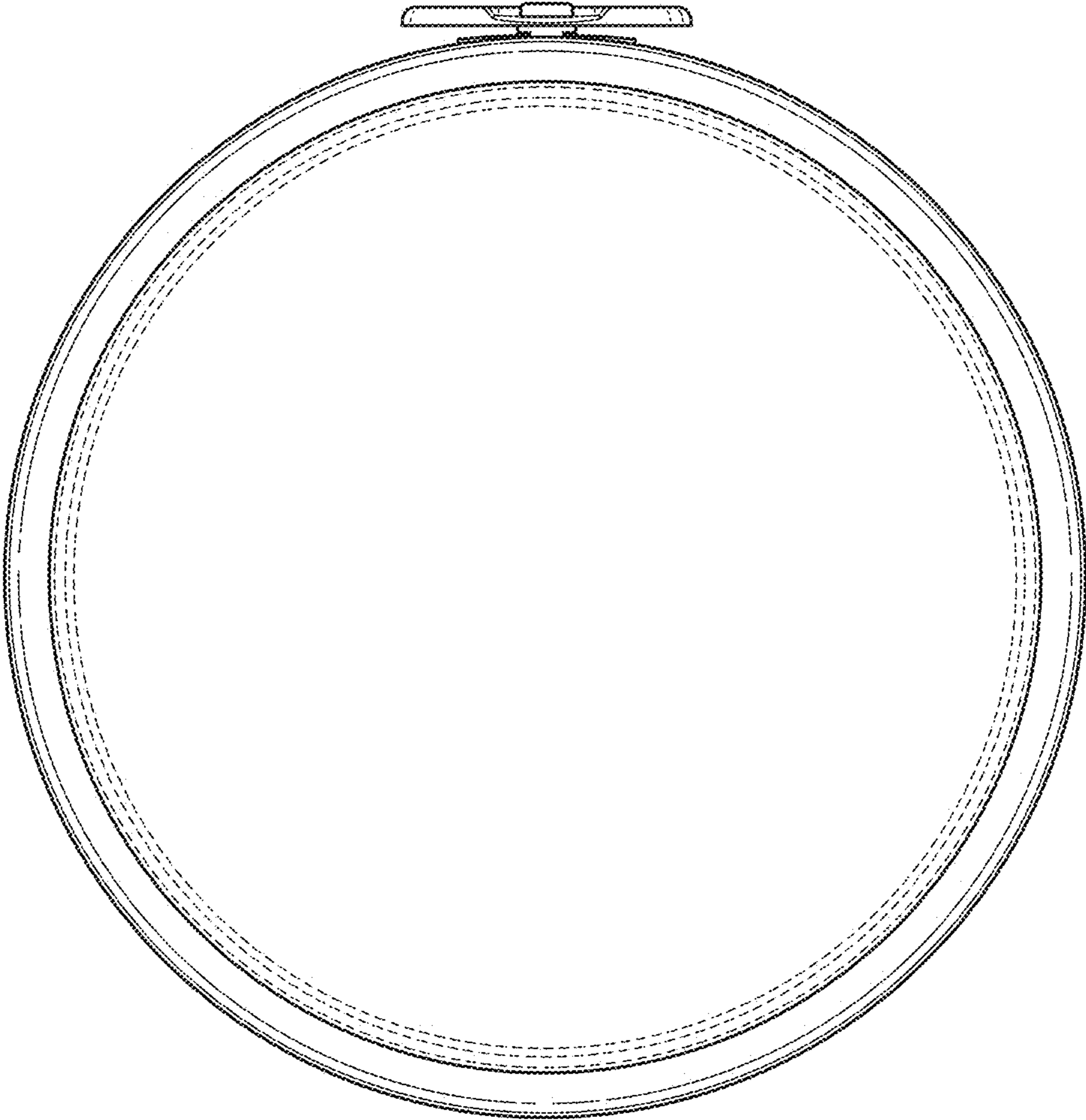


FIG. 7

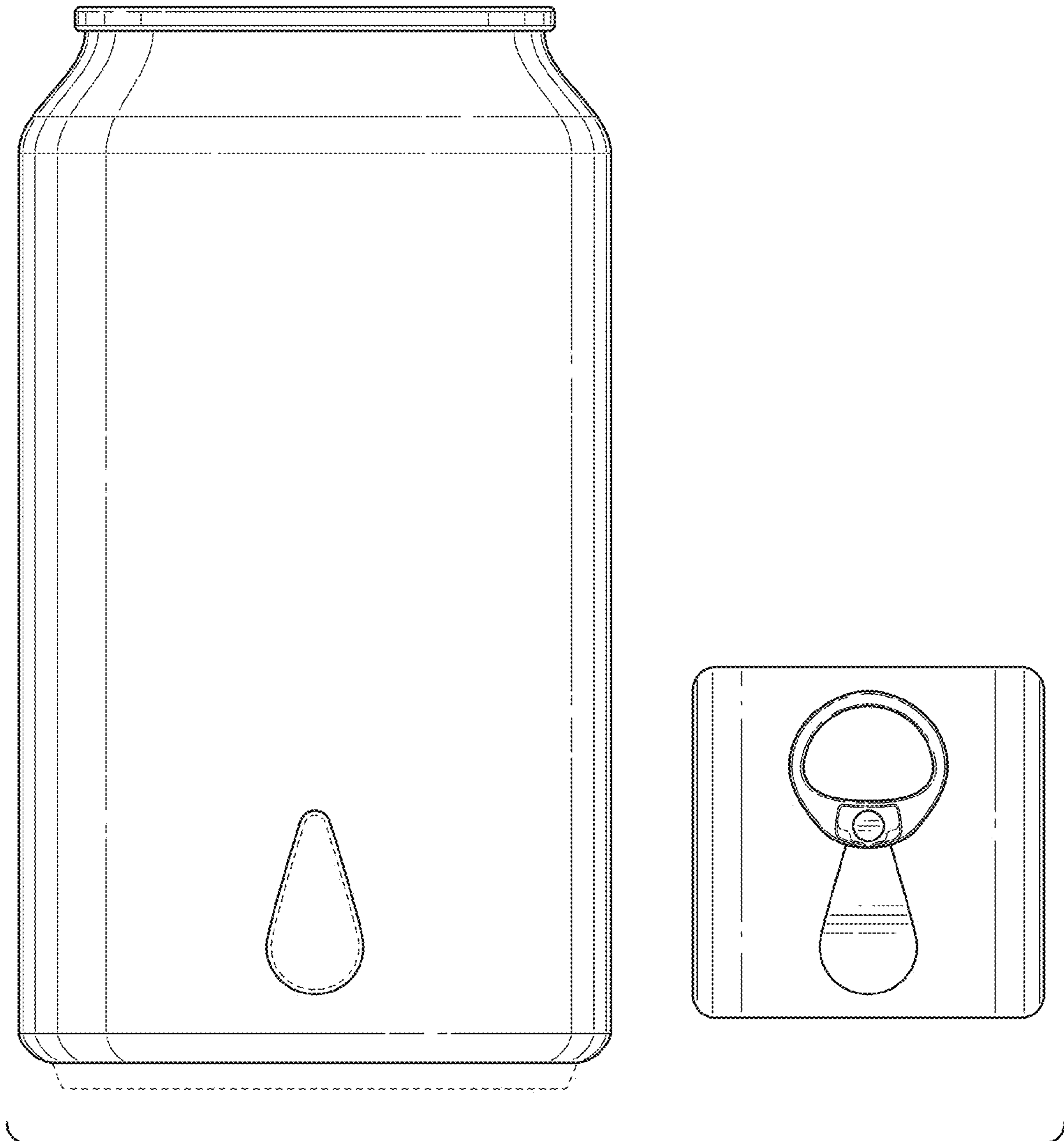


FIG. 8

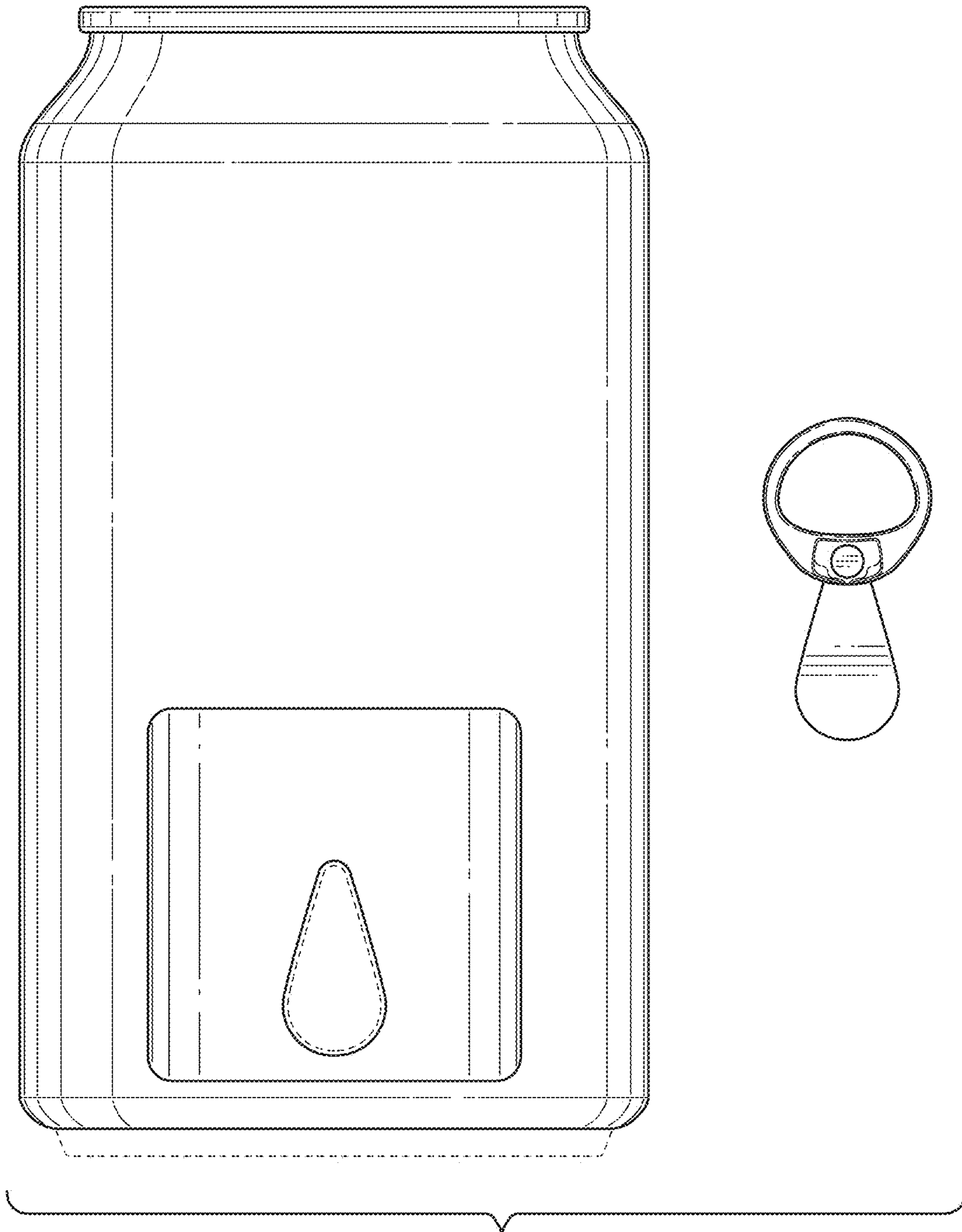


FIG. 9