



US00D968232S

(12) **United States Design Patent** (10) **Patent No.:** **US D968,232 S**
Tan (45) **Date of Patent:** **** Nov. 1, 2022**

(54) **SEALABLE BAG WITH RECEIPT TAB**

Primary Examiner — Abraham Bahta

(71) Applicant: **Pan Pacific Plastics Mfg., Inc.**,
Hayward, CA (US)

(74) *Attorney, Agent, or Firm* — Beyer Law Group LLP

(72) Inventor: **Hin Siang Michael Tan**, Danville, CA
(US)

(57) **CLAIM**

I claim the ornamental design for a sealable bag with receipt tab, substantially as shown and described.

(73) Assignee: **Pan Pacific Plastics Mfg., Inc.**,
Hayward, CA (US)

(**) Term: **15 Years**

DESCRIPTION

(21) Appl. No.: **29/751,573**

(22) Filed: **Sep. 22, 2020**

Related U.S. Application Data

(63) Continuation of application No. 29/748,869, filed on
Sep. 1, 2020.

(51) **LOC (13) Cl.** **09-05**

(52) **U.S. Cl.**
USPC **D9/705**

(58) **Field of Classification Search**
USPC D9/702-714, 719, 738-740, 517-518,
D9/522, 416, 435, 444, 460, 455, 414,
(Continued)

(56) **References Cited**

U.S. PATENT DOCUMENTS

2,128,196 A 8/1938 Vogel
3,811,613 A 5/1974 Harrison
(Continued)

FOREIGN PATENT DOCUMENTS

CN 2347943 11/1999
DE 29500157 2/1995
(Continued)

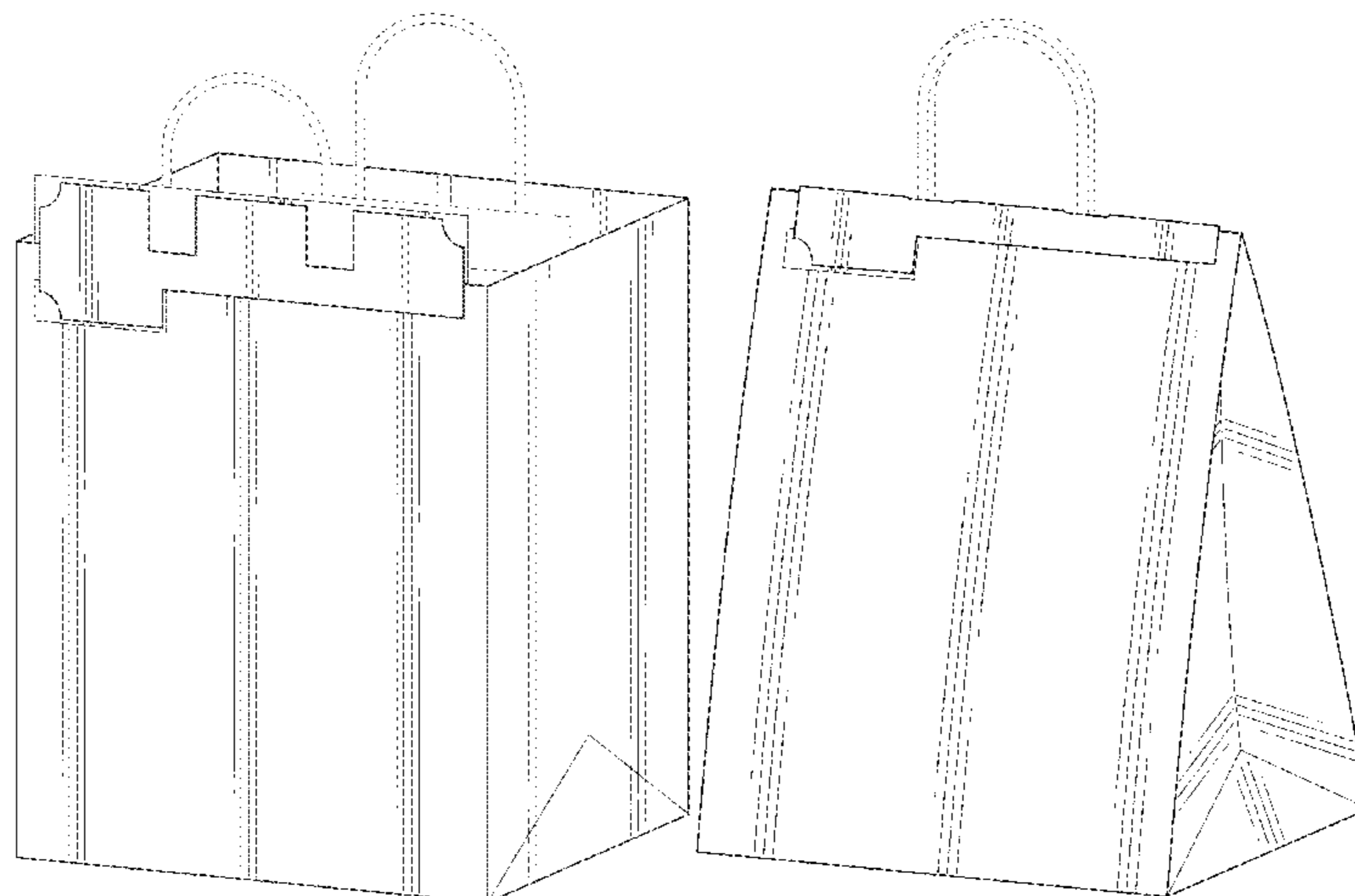
OTHER PUBLICATIONS

International Search Report from International Application No.
PCT/US2021/054409 dated Jan. 26, 2022.

(Continued)

FIG. 1 is a front perspective view of the sealable bag with receipt tab showing my new design;
FIG. 2 is a rear perspective view thereof;
FIG. 3 is a rear perspective view thereof, the protective strip of the sealable portion of the bag shown in a partially peeled condition;
FIG. 4 is a front perspective view of FIG. 3;
FIG. 5 is an exploded, front perspective view thereof, the protective strip of the sealable portion of the bag shown in a fully peeled condition;
FIG. 6 is a front perspective view thereof, the bag shown in a closed condition;
FIG. 7 is a front perspective view thereof, the bag shown in a sealed condition;
FIG. 8 is a rear perspective view thereof;
FIG. 9 is a front perspective view thereof, the protective cover of the receipt tab the bag shown in a partially peeled condition;
FIG. 10 is a front perspective view thereof, illustrating a receipt, shown in dash-dot-dot-dash lines, adhered between the receipt tab and a front side of the bag;
FIG. 11 is a front view of FIG. 1;
FIG. 12 is a rear view thereof;
FIG. 13 is a right side view, the left side view being a mirror image thereof;
FIG. 14 is an interior view of a front sheet-like panel of the sealable bag, taken along the plane of the line 14-14 in FIG. 13;
FIG. 15 is a right side view thereof; and,
FIG. 16 is a left side view thereof.
The broken lines in the Figures show portions of the sealable bag which form no part of the claimed design.

(Continued)



The dash-dot-dot-dash line showing of a receipt adhered between the receipt tab and the bag is included for the purpose of illustrating environmental structure and forms no part of the claimed design.
The shade lines in the Figures show contours and not surface ornamentation.

1 Claim, 15 Drawing Sheets

(58) **Field of Classification Search**

USPC D9/499, 431-432; D7/560-562;
206/434, 426-427, 429-430, 485, 485.1,
206/499, 508, 431, 418-422, 588-594;
229/117.3, 185, 121, 122, 200, 207, 236,
229/87.01; 220/23.83; 150/100-118;
294/137, 152; 383/6, 10, 14, 20, 40, 33,
383/104-105, 117, 108, 120, 93, 121.1,
383/127; 428/34.3
CPC B65D 33/00; B65D 33/06; B65D 33/065;
B65D 33/14; B65D 33/1683; B65D
33/12; B65D 31/00; B65D 31/04; B65D
31/10; A45C 3/04; A45C 3/10
See application file for complete search history.

(56) **References Cited**

U.S. PATENT DOCUMENTS

D319,780 S 9/1991 Laaki
5,352,041 A 10/1994 Fullerton
5,608,949 A 3/1997 Cooley et al.
D501,134 S 1/2005 Takahashi
D597,832 S 8/2009 Bischoff et al.
9,630,748 B2 4/2017 Keller
D801,826 S 11/2017 O'Connor et al.
D811,896 S 3/2018 Wigman
D812,490 S 3/2018 Wigman

D821,223 S 6/2018 Tan
D828,763 S 9/2018 Tan
D830,849 S 10/2018 Tan
D864,752 S 10/2019 Tan
10,913,578 B2 2/2021 Tan
D941,677 S * 1/2022 Chen D9/704
2006/0072855 A1 4/2006 Shaw
2007/0292053 A1 12/2007 Lin
2017/0166358 A1 6/2017 Chandaria
2019/0112116 A1 4/2019 Su et al.

FOREIGN PATENT DOCUMENTS

DE 102009007985 2/2010
EP 0515086 11/1992
EP 3623316 3/2020
GB 2382562 6/2003
JP 01254557 10/1989
JP H02-13001 U 1/1990
JP 02-031846 7/1990
JP 05-042035 Y 10/1993
JP 2017061324 3/2017
JP 2017186073 10/2017
KR 10-1935325 12/2018

OTHER PUBLICATIONS

Written Opinion from International Application No. PCT/US2021/054409 dated Jan. 26, 2022.
Final Office Action from U.S. Appl. No. 17/137,045 dated Jan. 25, 2022.
Final Office Action from U.S. Appl. No. 17/124,244 dated Feb. 4, 2022.
International Search Report and Witten Opinion from International Application No. PCT/US2019/030891, dated Jul. 26, 2019.
Ex Parte Quayle from U.S. Appl. No. 29/748,869 dated Apr. 12, 2022.
Notice of Allowance from U.S. Appl. No. 17/137,045 dated Mar. 28, 2022.

* cited by examiner

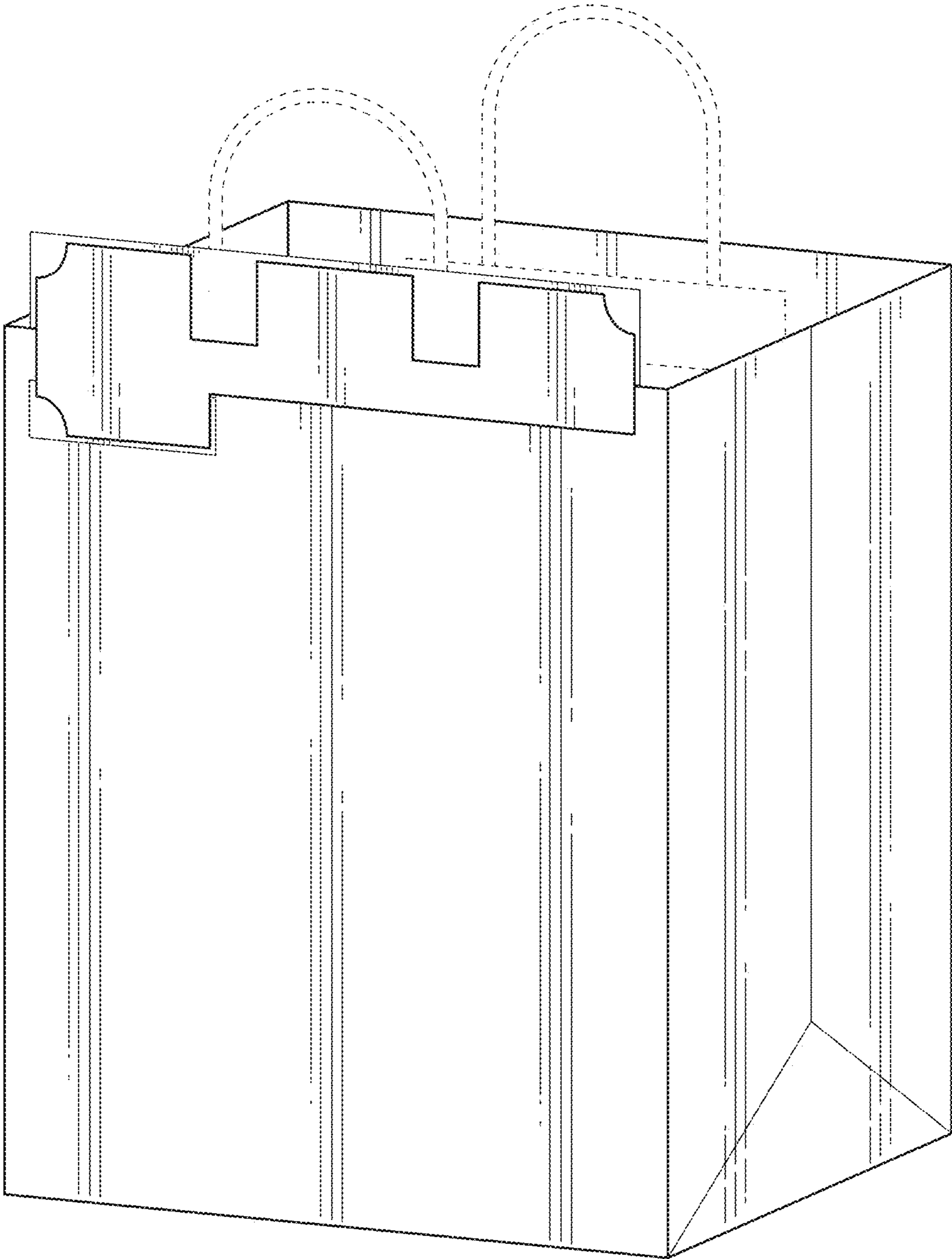


FIG. 1

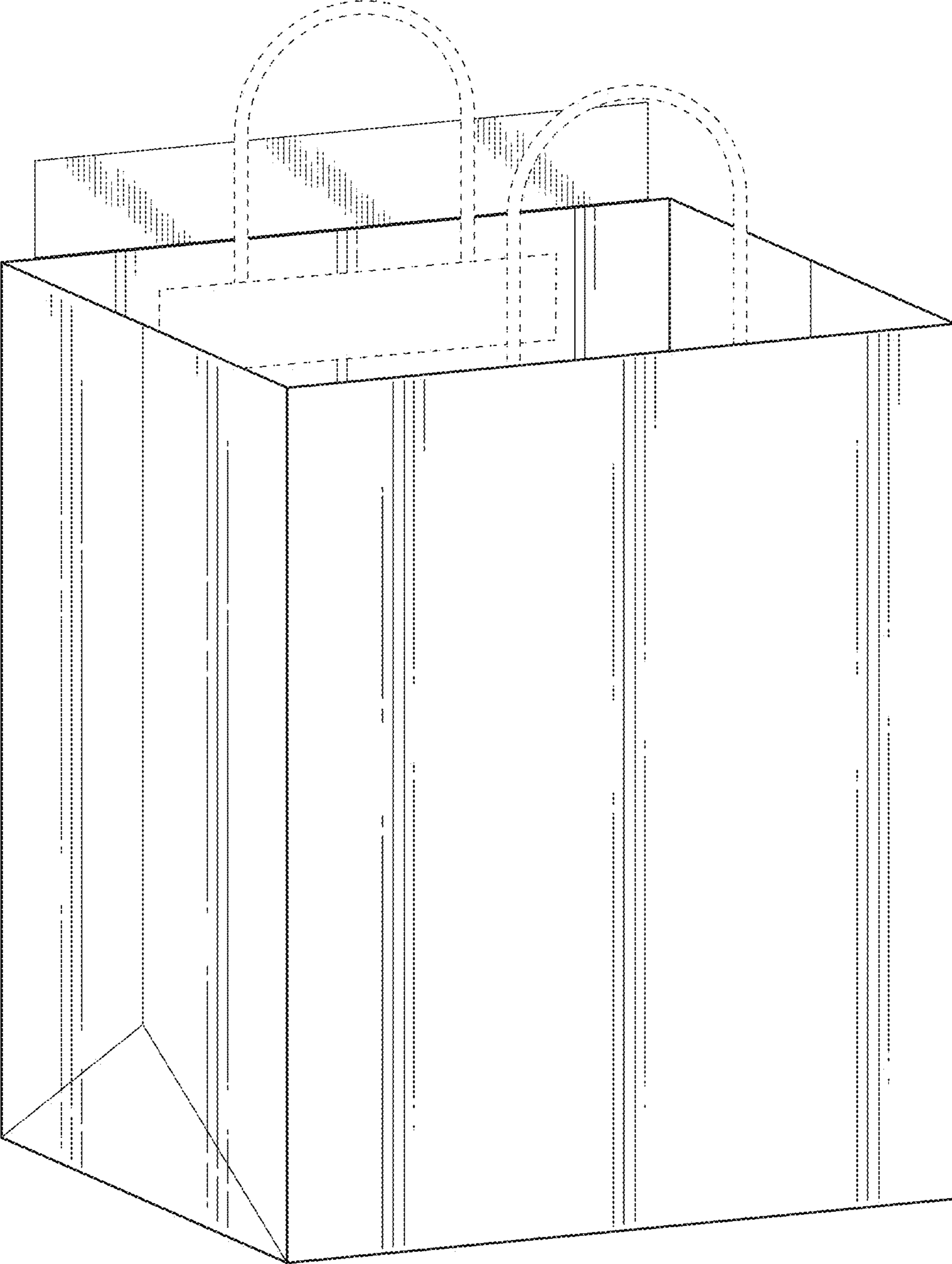


FIG. 2

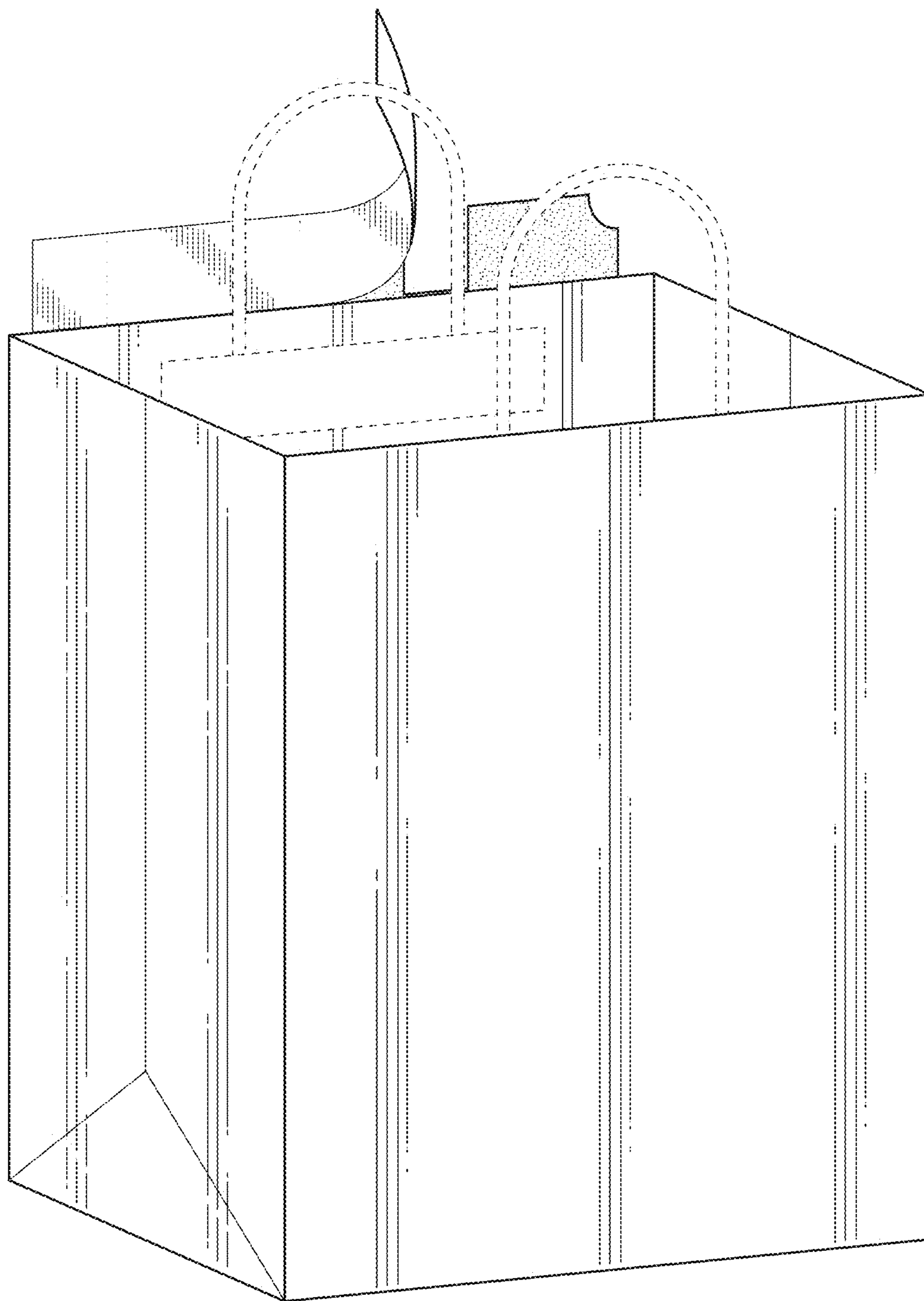


FIG. 3

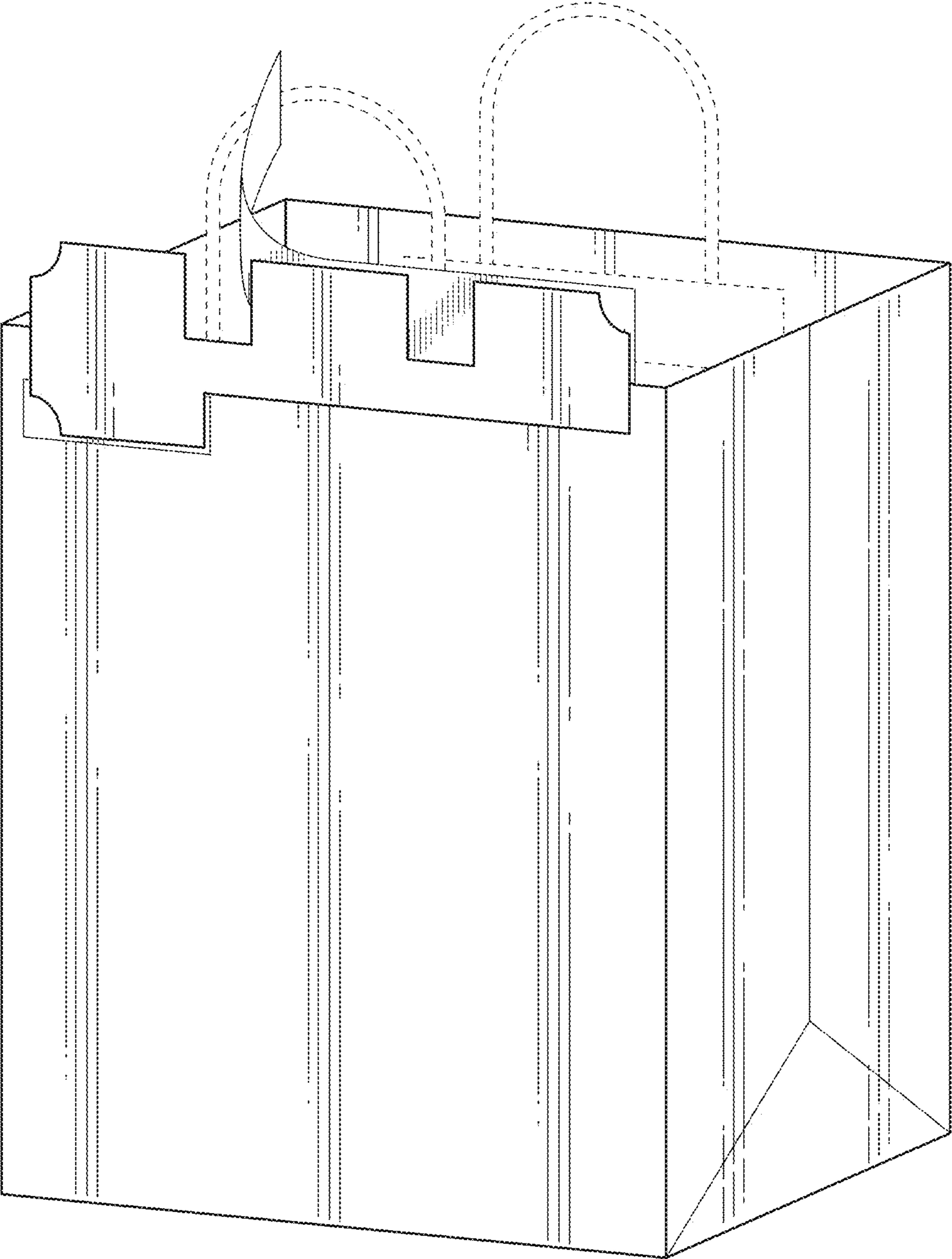


FIG. 4

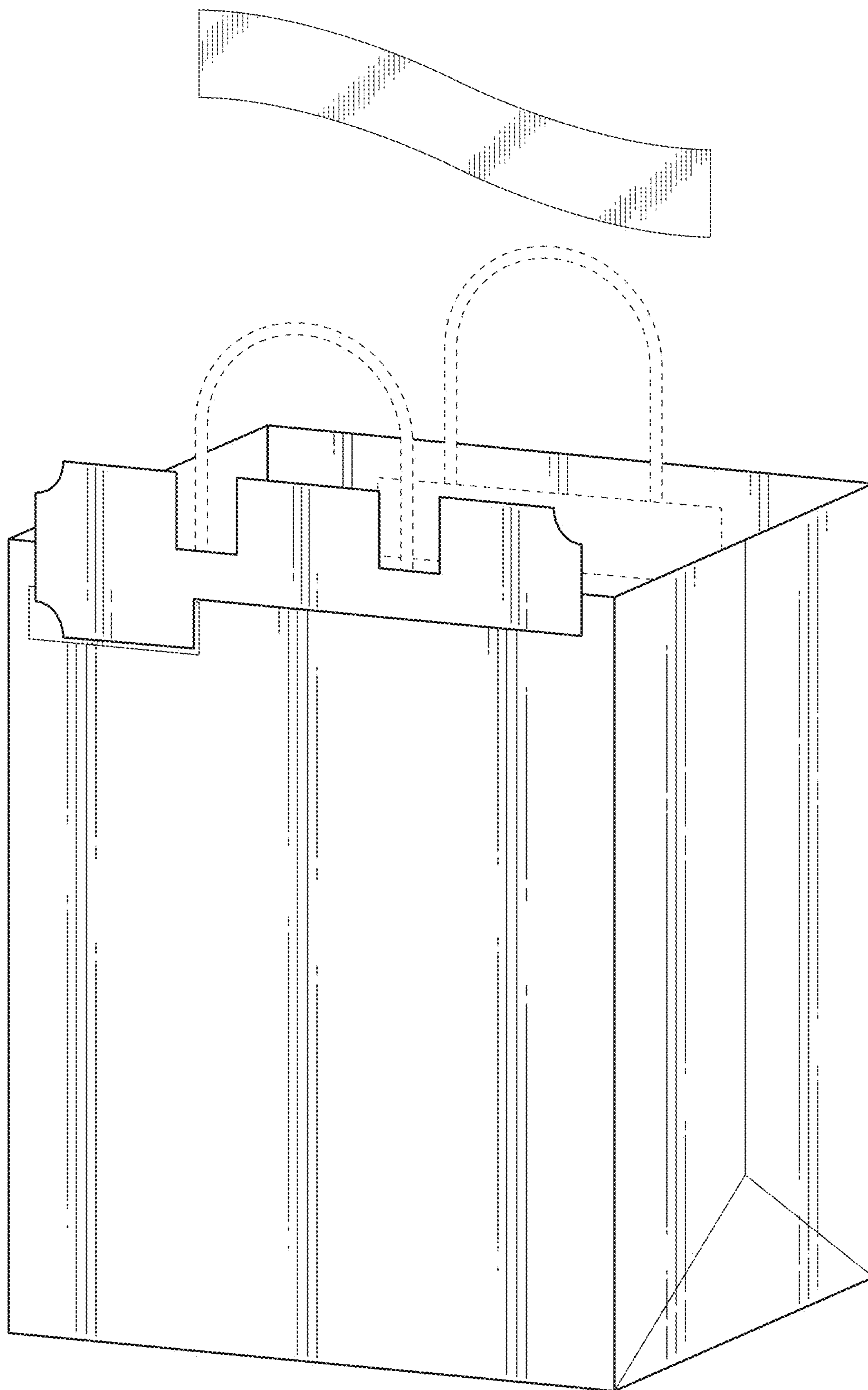


FIG. 5

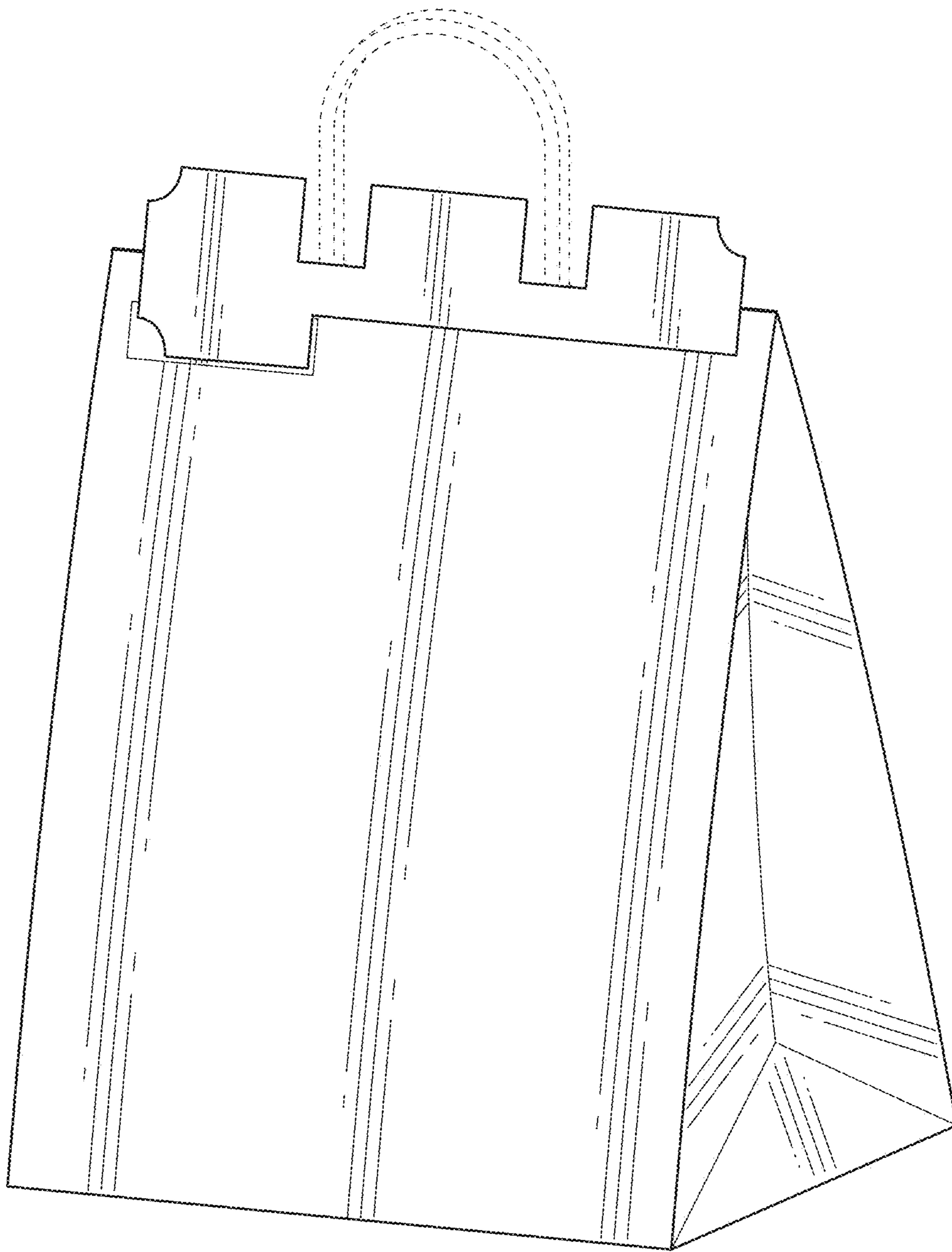


FIG. 6

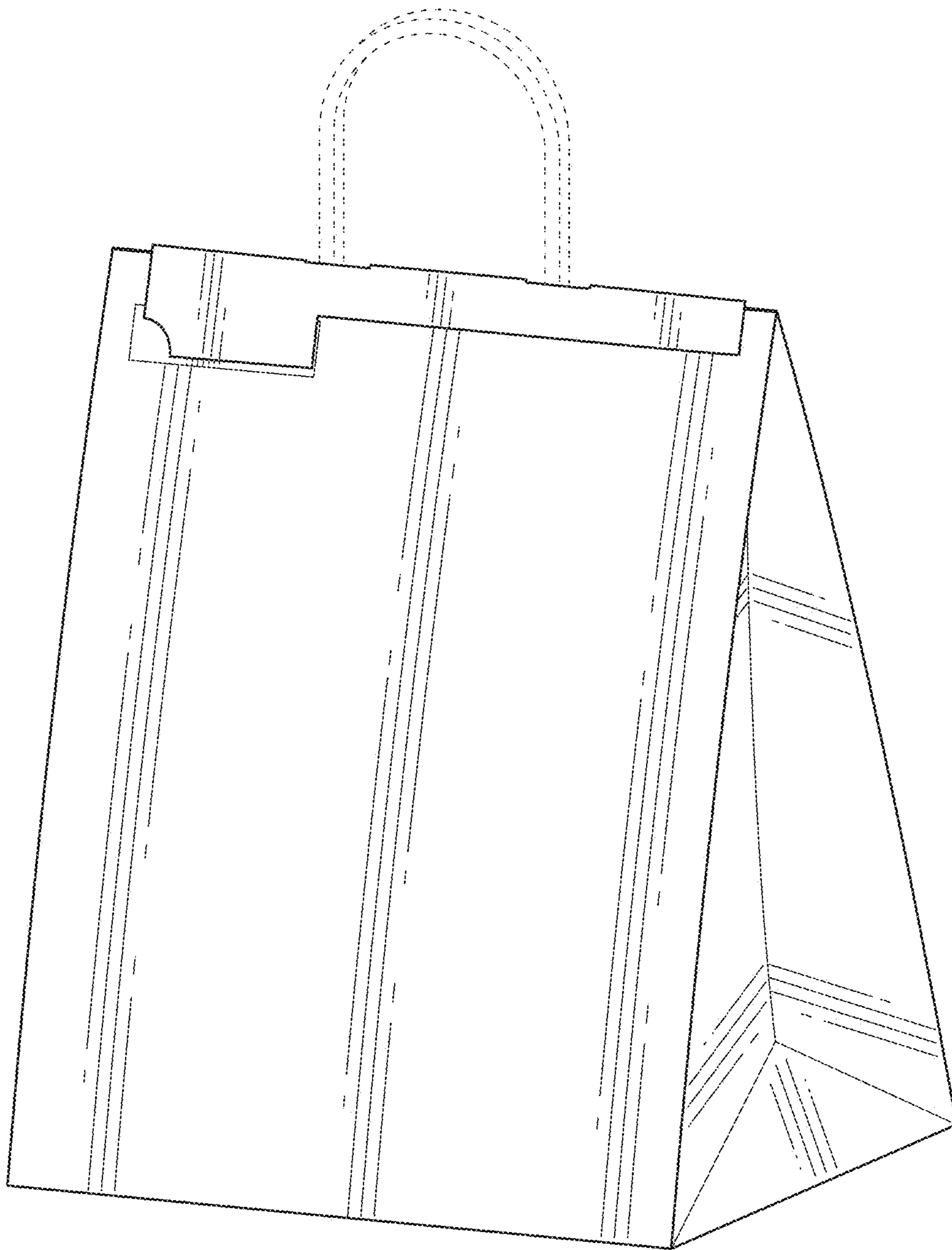


FIG. 7

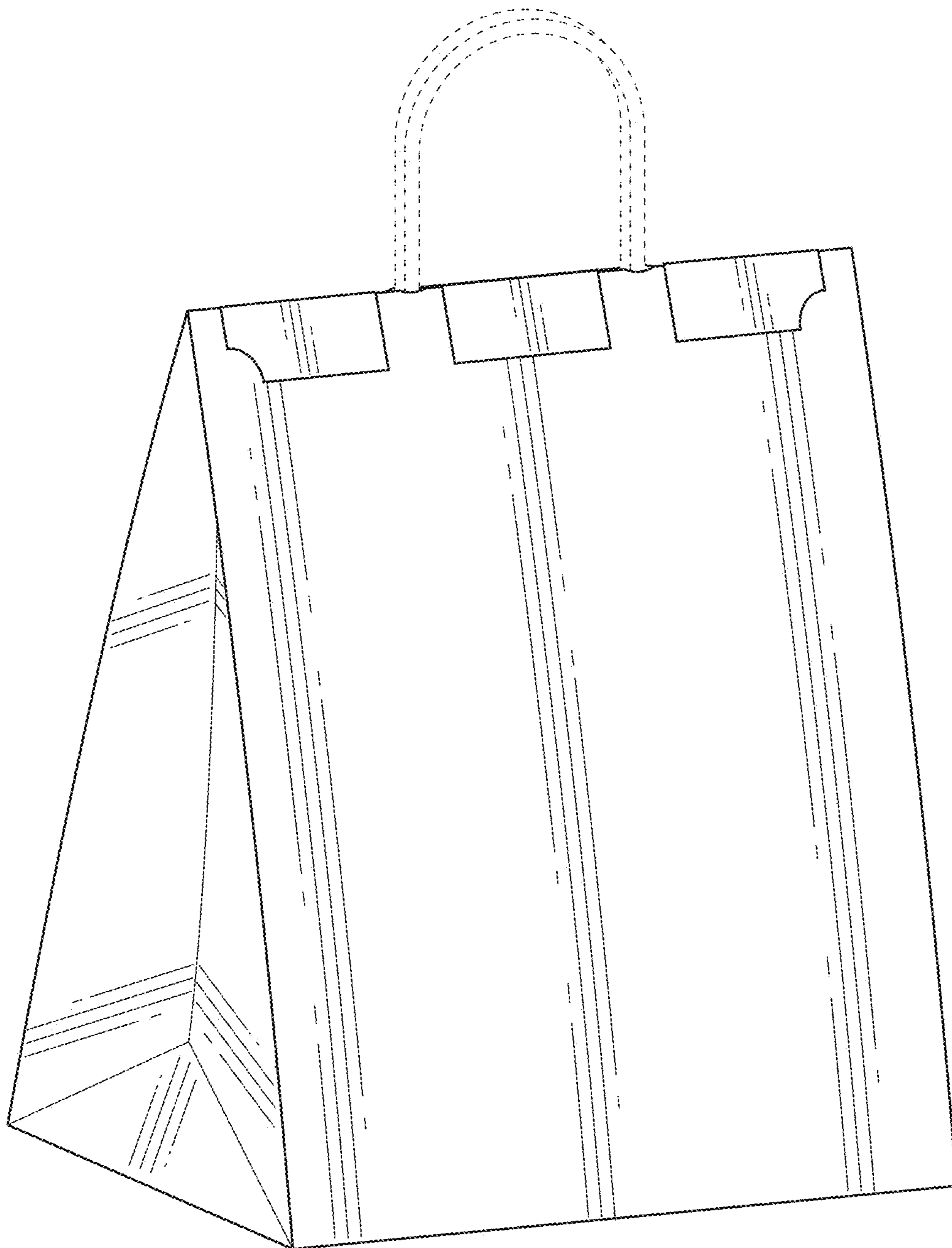


FIG. 8

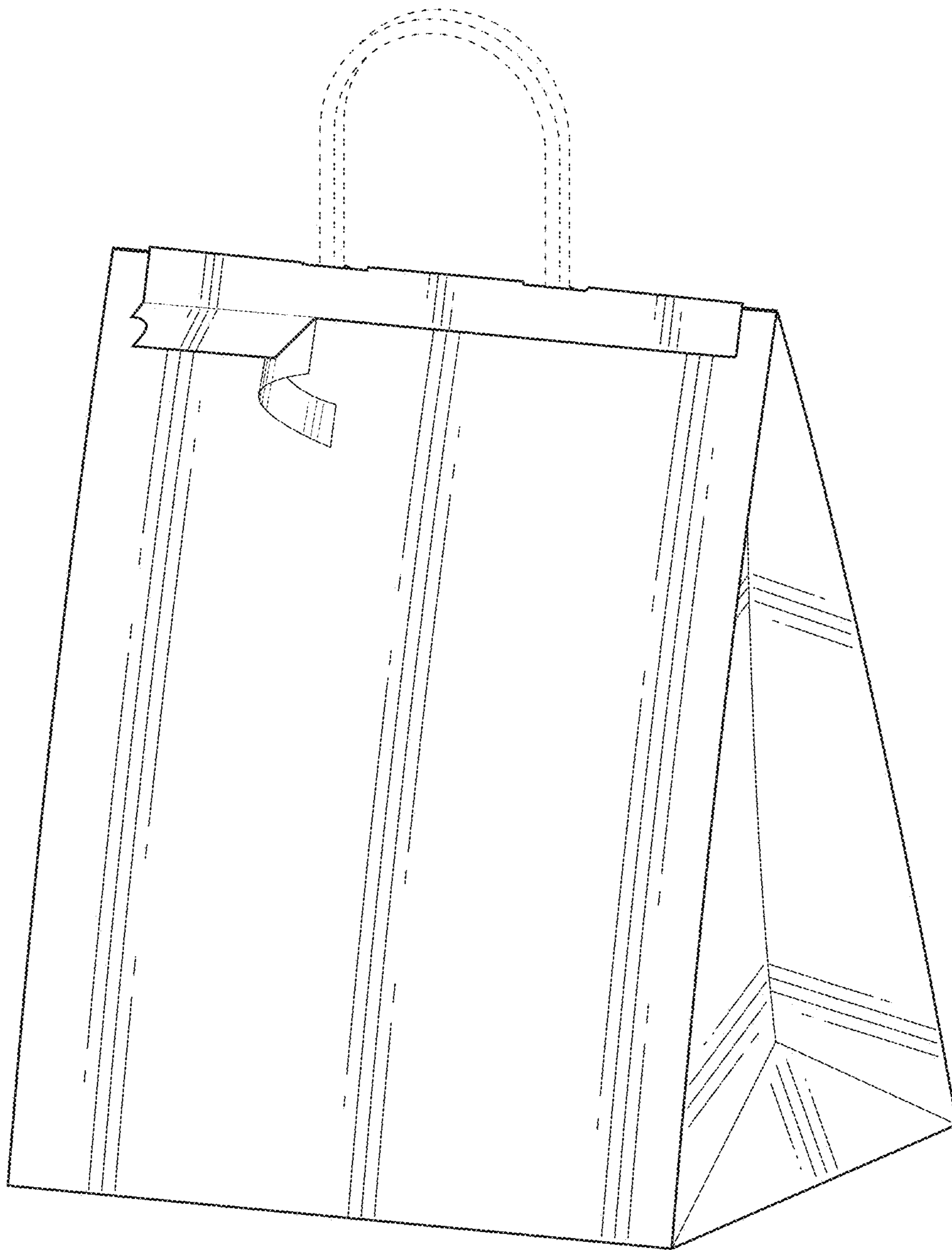


FIG. 9

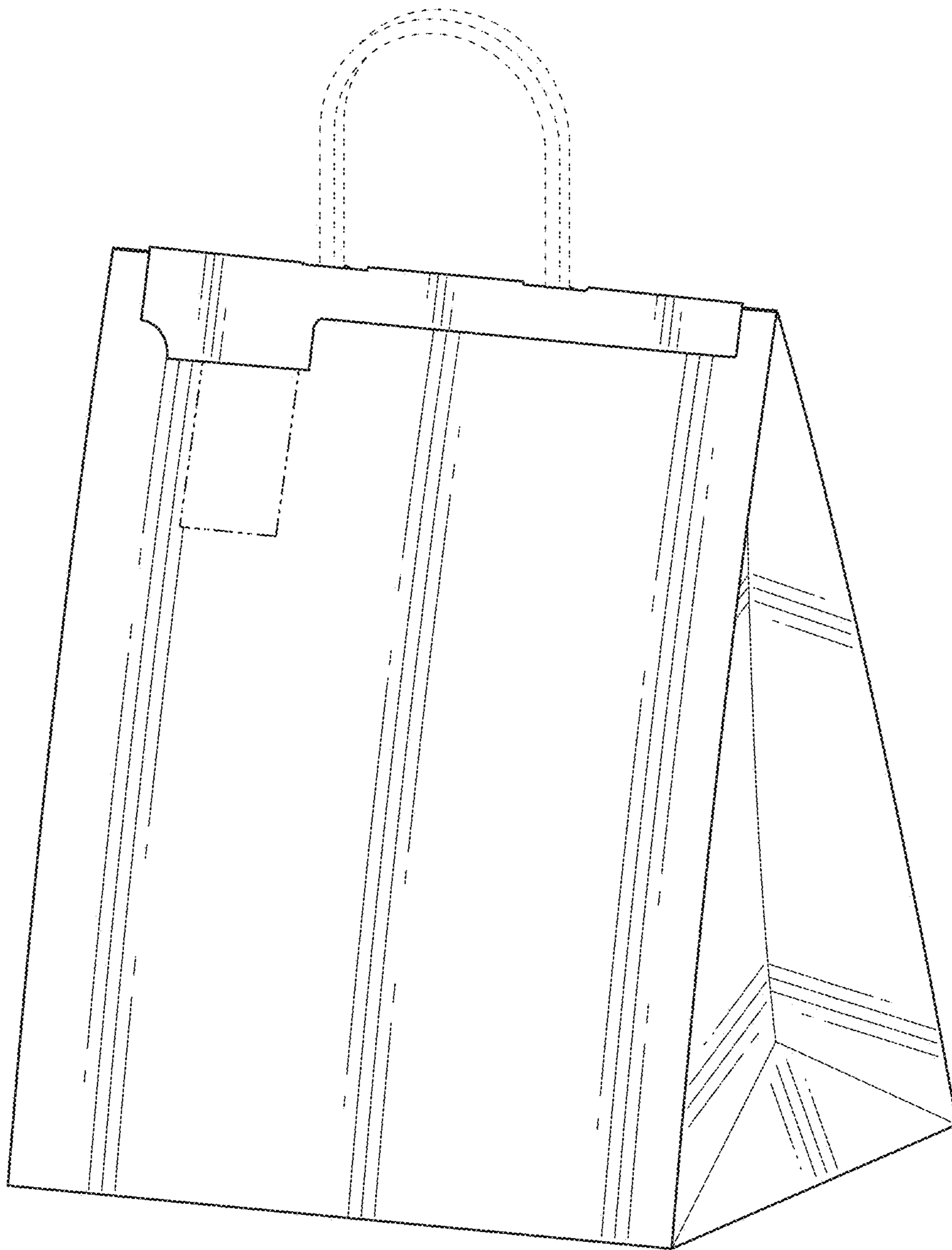


FIG. 10

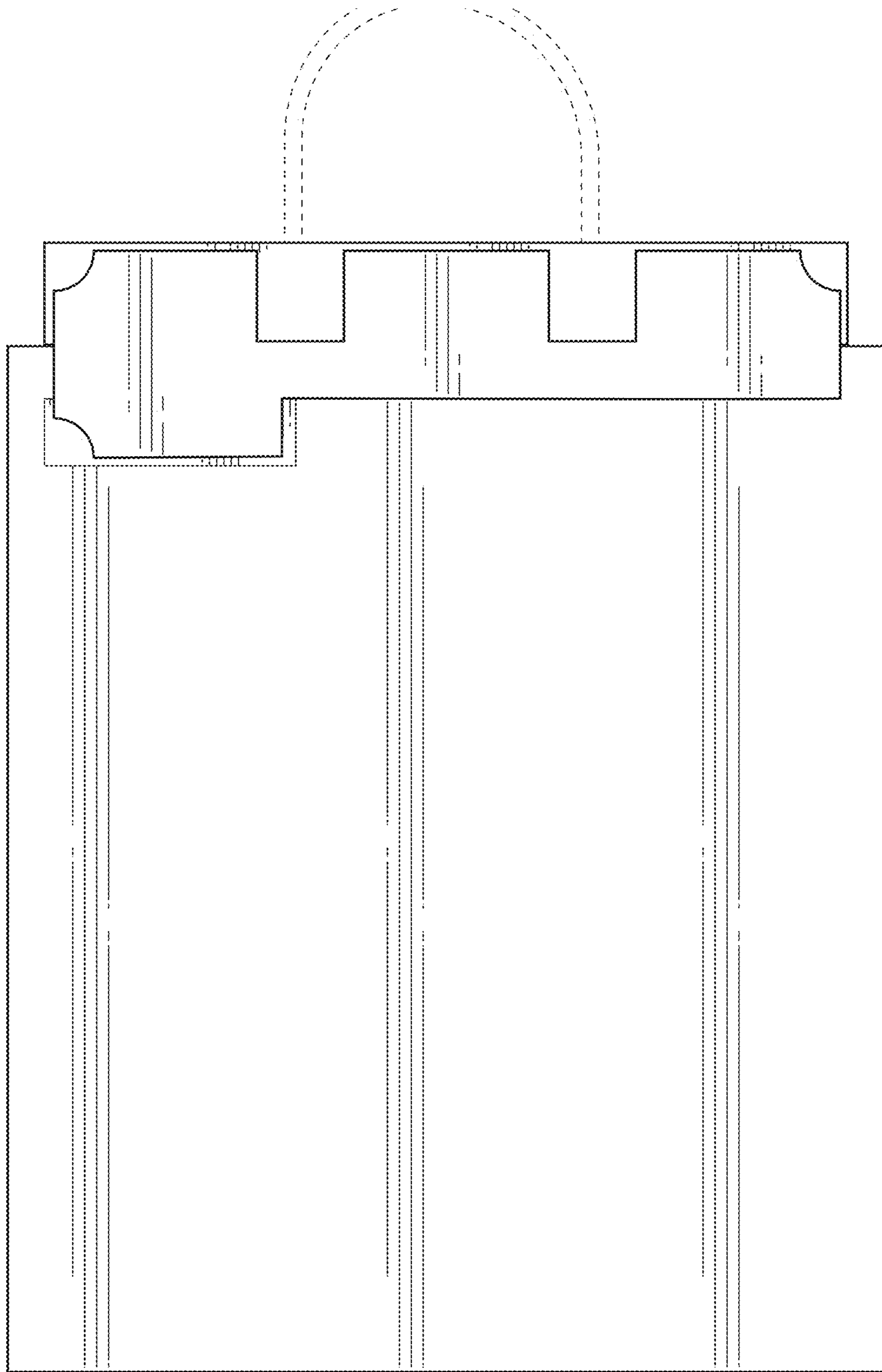


FIG. 11

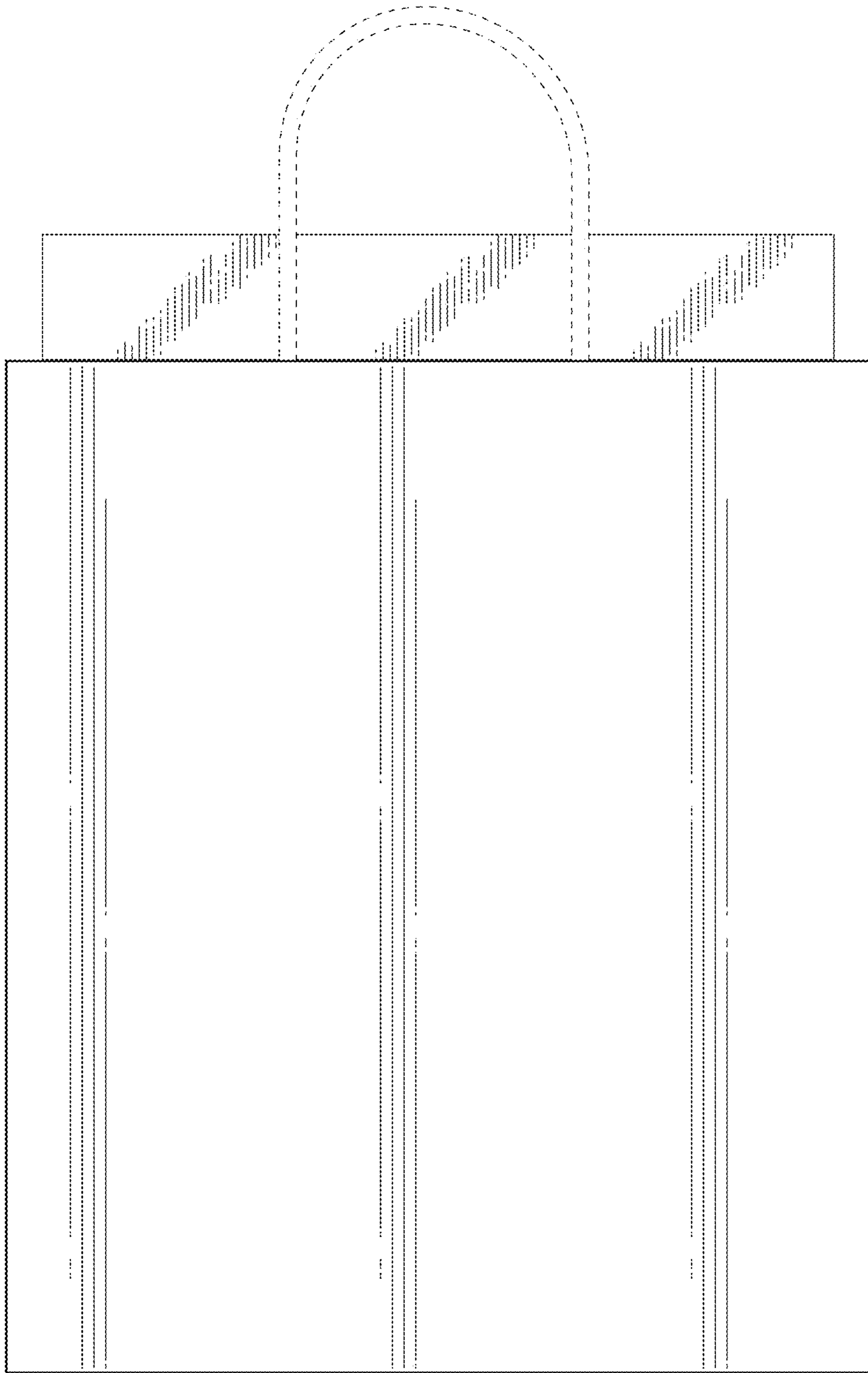


FIG. 12

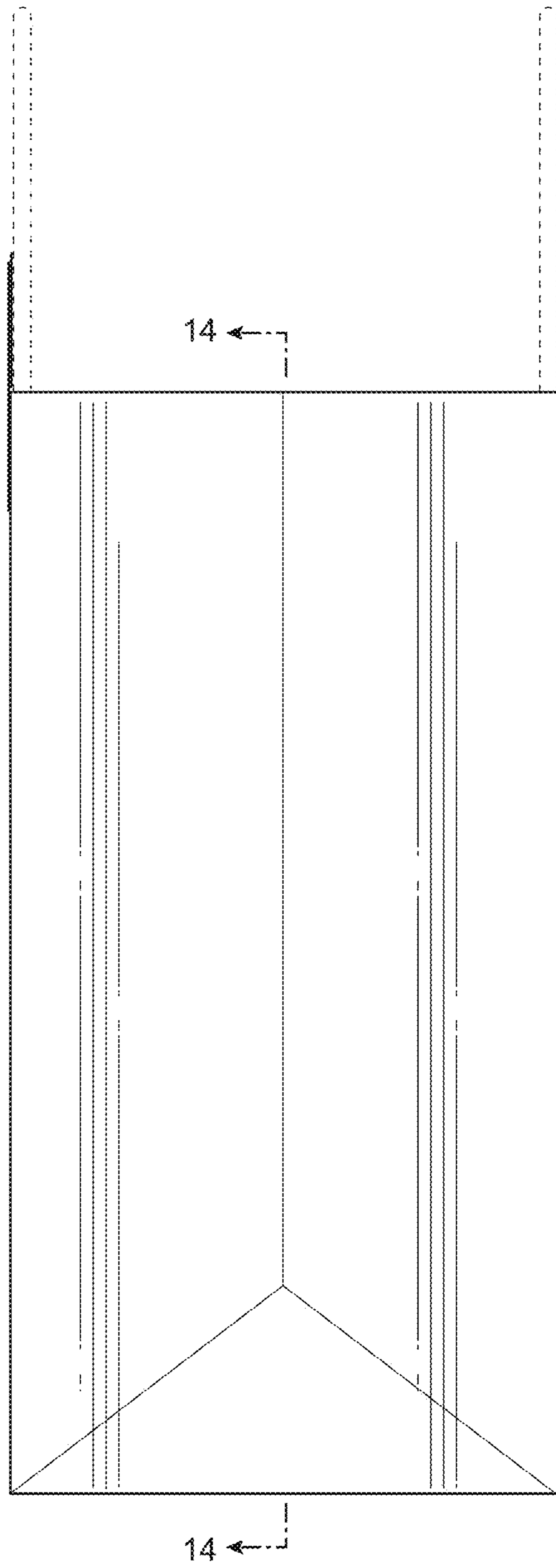


FIG. 13

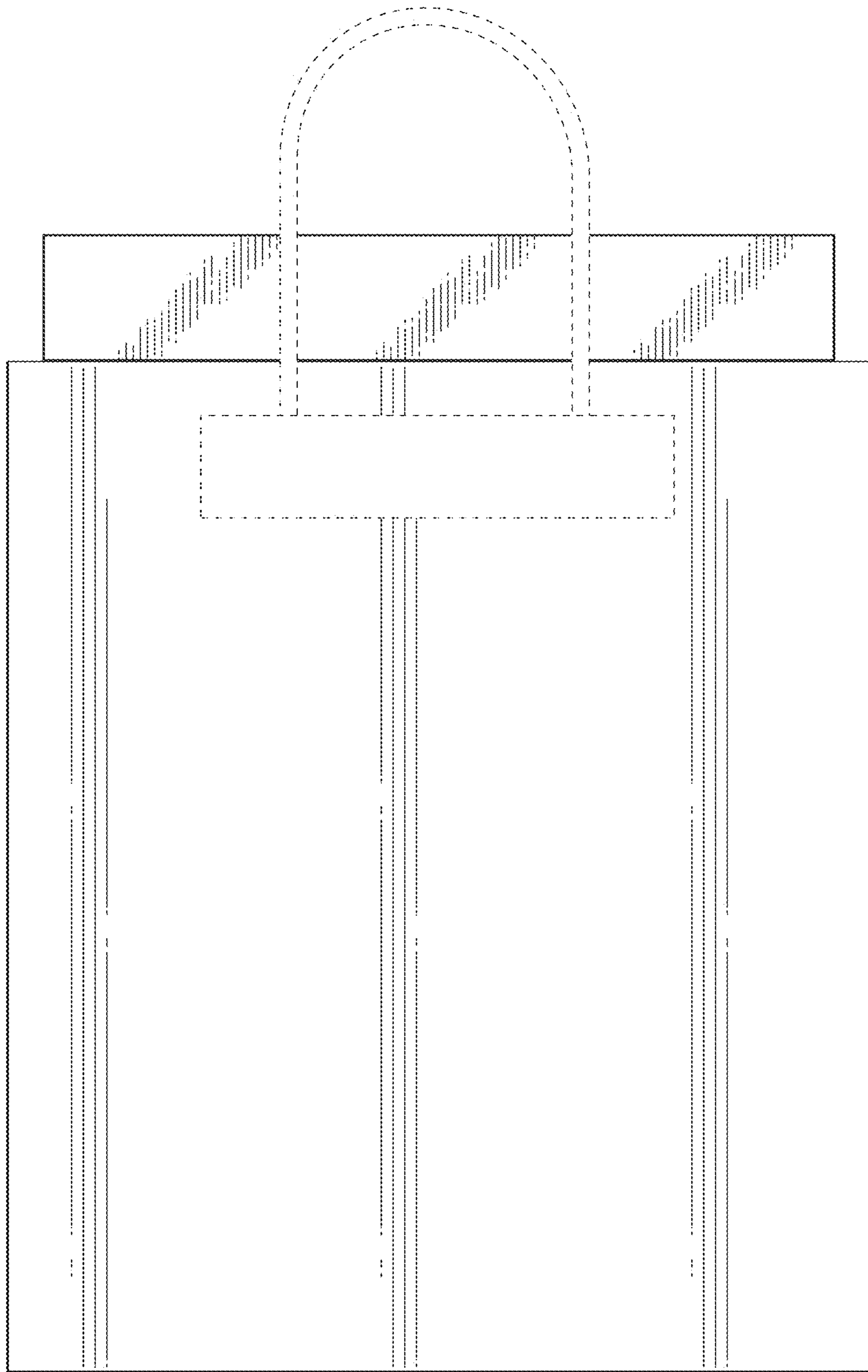


FIG. 14

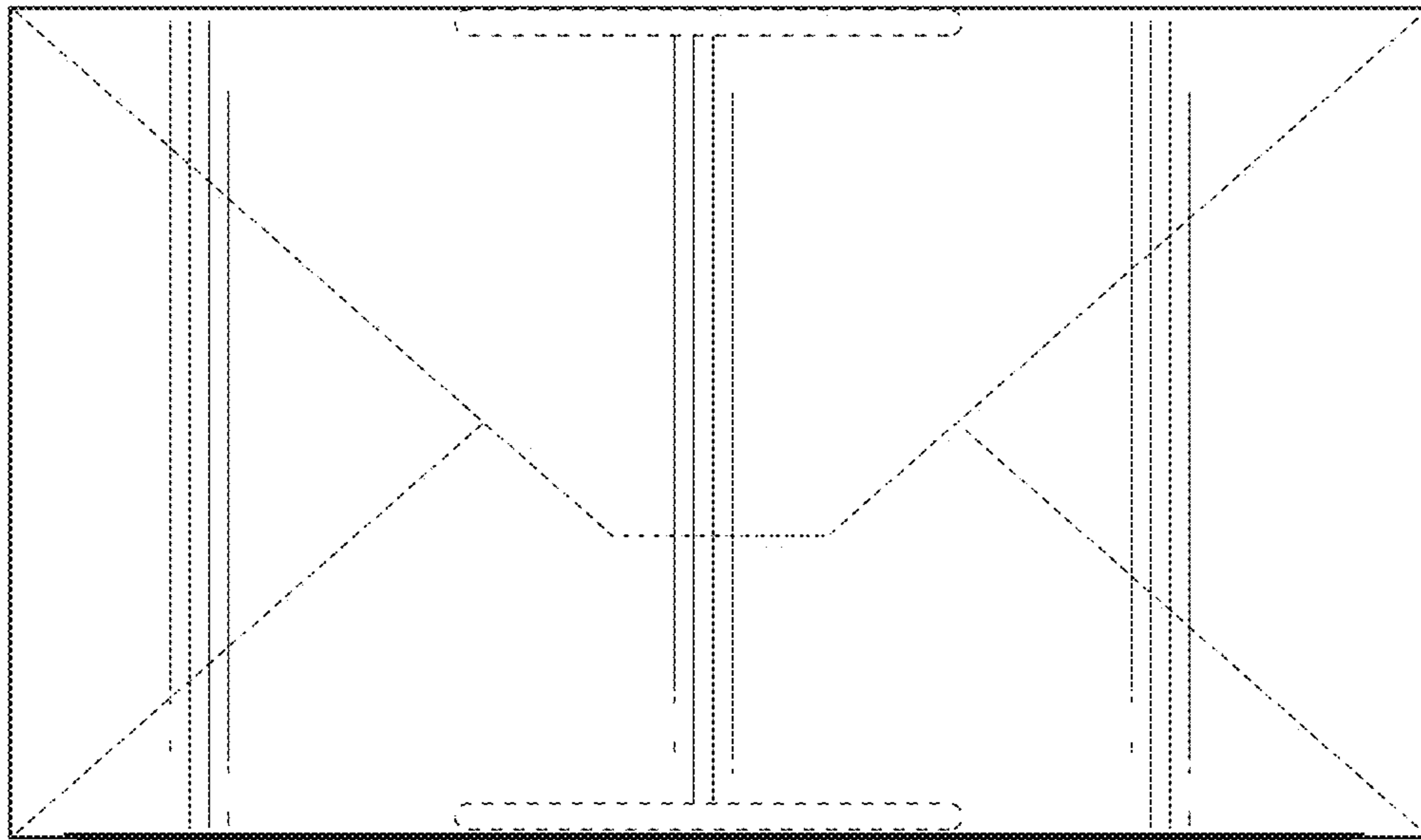


FIG. 15

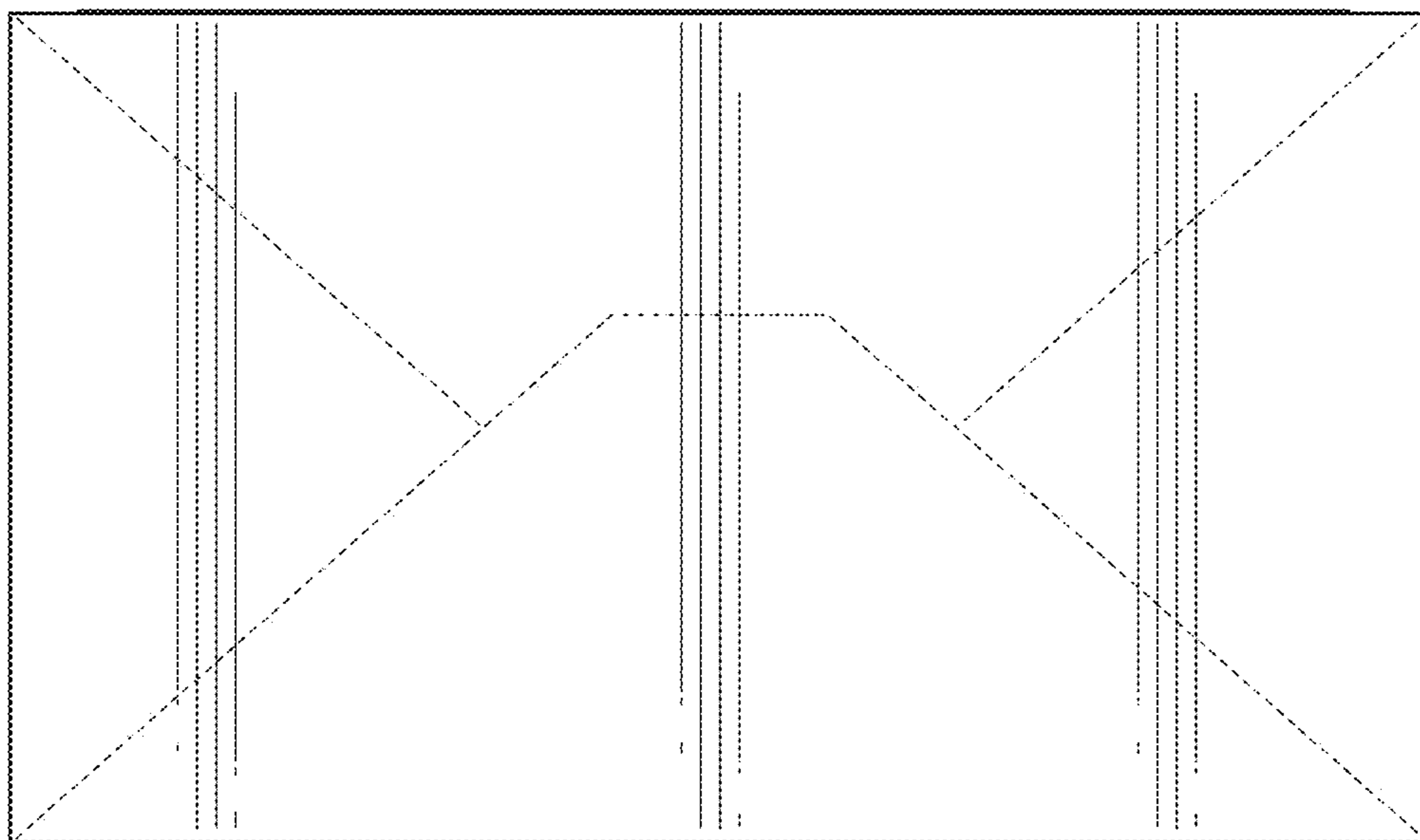


FIG. 16