



US00D968231S

(12) **United States Design Patent**
Block et al.

(10) **Patent No.:** **US D968,231 S**
(45) **Date of Patent:** **** Nov. 1, 2022**

(54) **RETAIL PACKAGING FOR CONSUMABLE PRODUCTS**

(71) Applicant: **Leftcoast Innovations LLC**, Joliet, IL (US)

(72) Inventors: **Joseph Block**, Marina Del Rey, CA (US); **Austin Rovetti**, Venice, CA (US)

(73) Assignee: **Leftcoast Innovations LLC**, Joliet, IL (US)

(**) Term: **15 Years**

(21) Appl. No.: **29/771,656**

(22) Filed: **Feb. 24, 2021**

(51) **LOC (13) Cl.** **09-05**

(52) **U.S. Cl.**
USPC **D9/702**

(58) **Field of Classification Search**
USPC D9/702-714, 720-722, 414, 434-435; D24/118, 207, 108; 383/6, 9, 22, 96, 383/61.1, 80-81, 104, 901, 63, 203, 107, 383/119-120, 123, 61.2, 44; 220/675, 220/495.03; 215/381-385, 400, 328, 316; 206/484; D3/202; 428/34.3; 222/92, 222/215, 95, 107; 604/408, 403, 415; 229/87.01-87.9
CPC A47K 10/42; B65D 33/00; B65D 33/01; B65D 33/008; B65D 33/20; B65D 33/24; B65D 33/165; B65D 33/1608; B65D 81/00; B65D 81/36; B65D 81/24; B65D 81/246; B65D 81/2084; B65D 5/00; B65D 5/42; B65D 5/4258; B65D 37/00; B65D 77/00; B65D 77/10; B65D 77/12; B65D 77/14; A61J 1/10; A47J 36/027

See application file for complete search history.

(56) **References Cited**

U.S. PATENT DOCUMENTS

D540,693 S *	4/2007	Smalls	D9/709
D686,084 S *	7/2013	Rana	D9/702
D723,935 S *	3/2015	Short	D9/704
D853,858 S *	7/2019	McCarron	D9/707

* cited by examiner

Primary Examiner — Abraham Bahta

(74) *Attorney, Agent, or Firm* — Nicholas Pfeifer; Smith & Hopon, P. A.

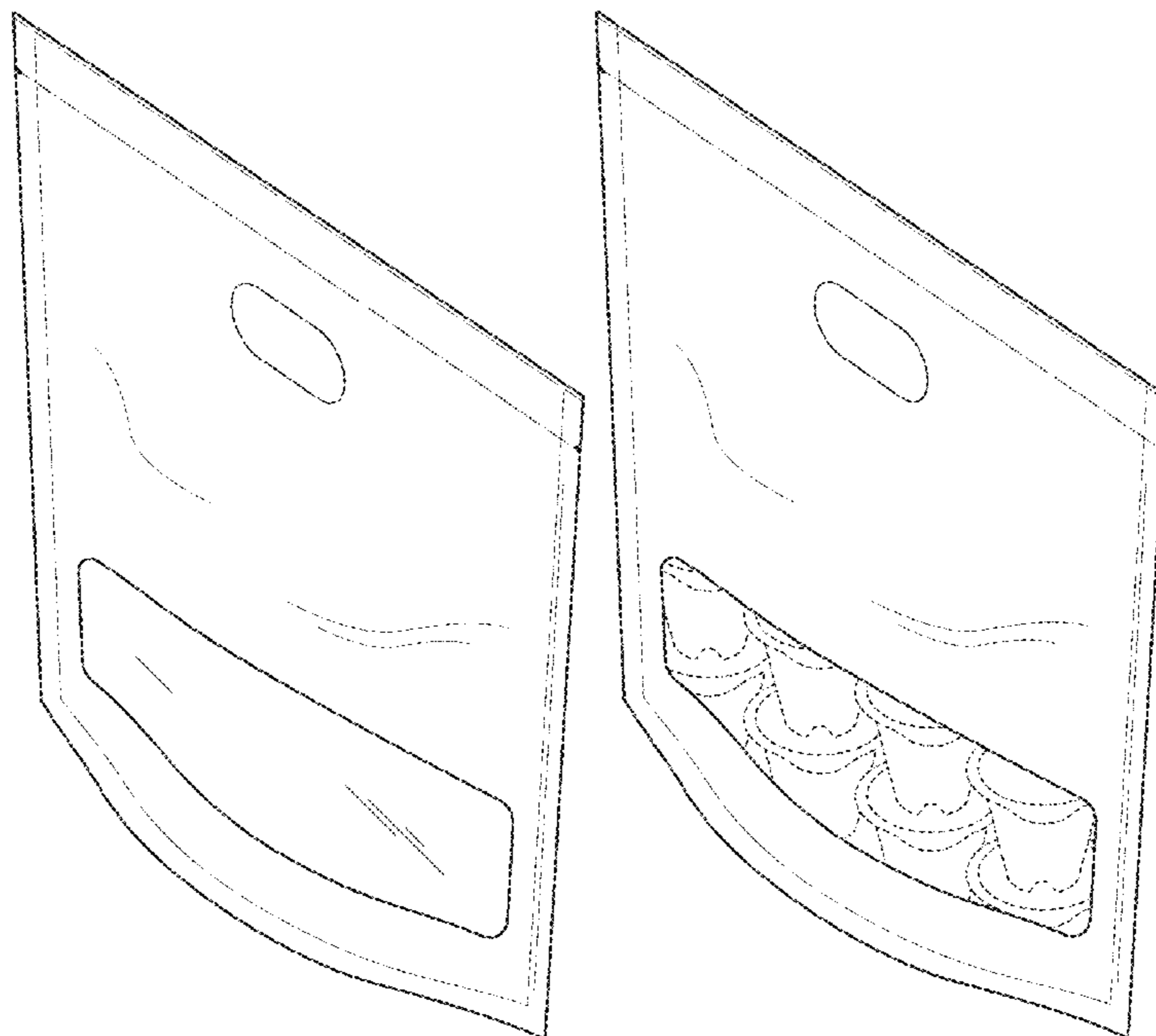
(57) **CLAIM**

The ornamental design for a retail packaging for consumable products, as shown and described.

DESCRIPTION

FIG. 1 is a perspective view of the retail packaging for consumable products showing our new design; FIG. 2 is a front view thereof; FIG. 3 is a rear view thereof; FIG. 4 is a side view thereof; FIG. 5 is another side view thereof; FIG. 6 is a top perspective view in an opened configuration thereof; FIG. 7 is a bottom view thereof; FIG. 8 is a top, front and side perspective view in an open configuration thereof; and, FIG. 9 is a perspective view thereof wherein consumable products are shown through the window of the packaging. The broken line showing of portions of the claimed design is included for the purpose of illustrating environmental structure and forms no part of the claimed design.

1 Claim, 9 Drawing Sheets



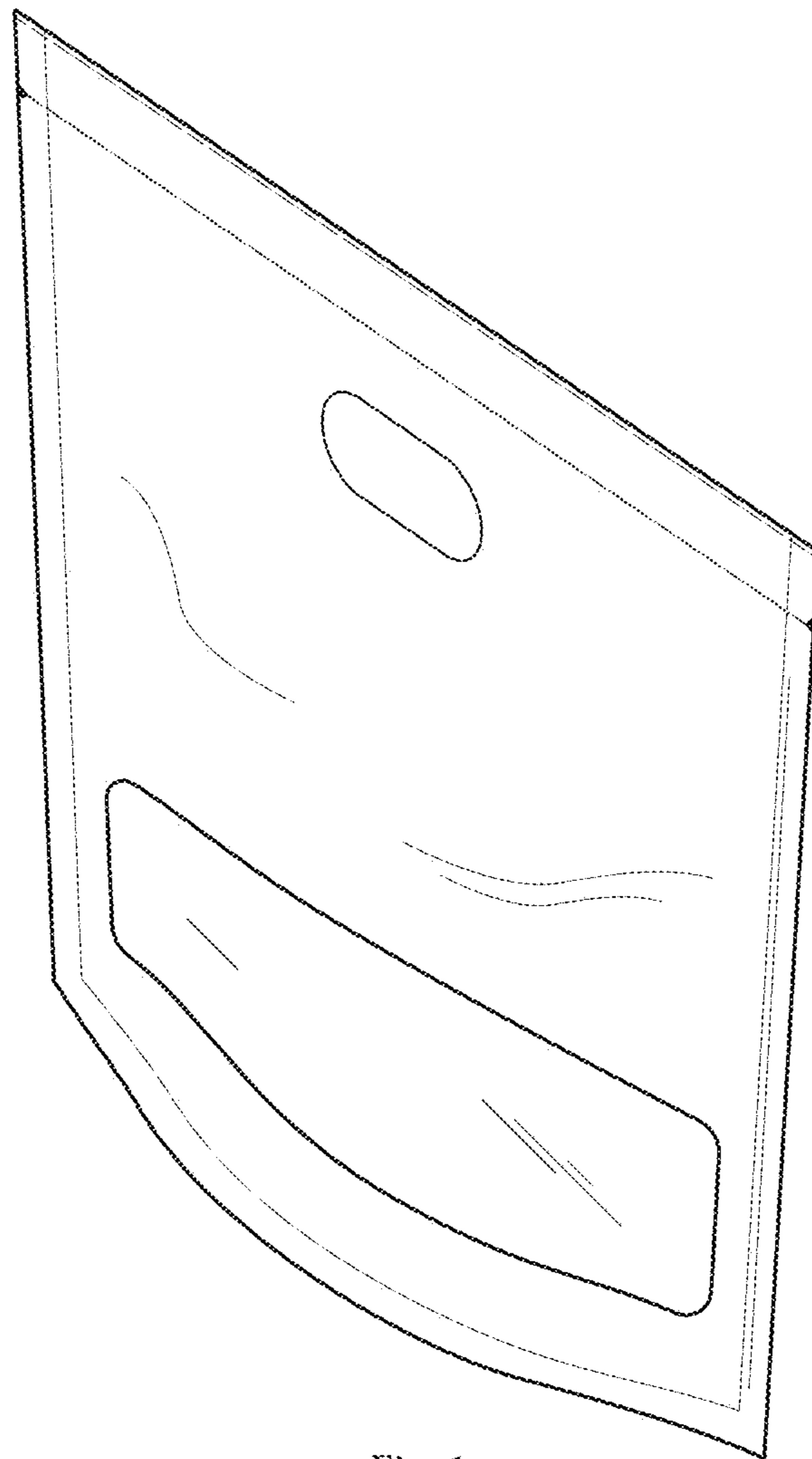


Fig. 1

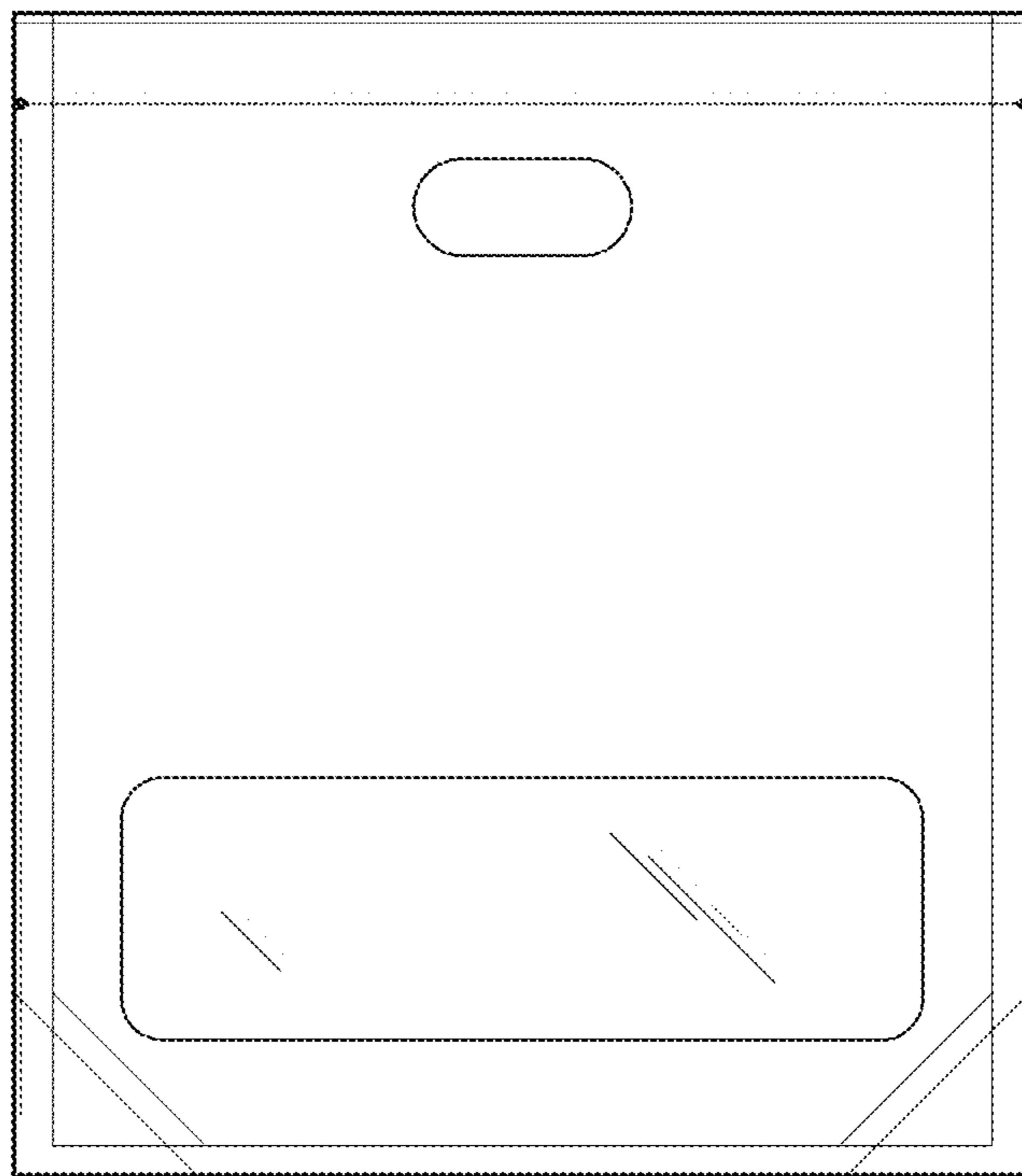


Fig. 2

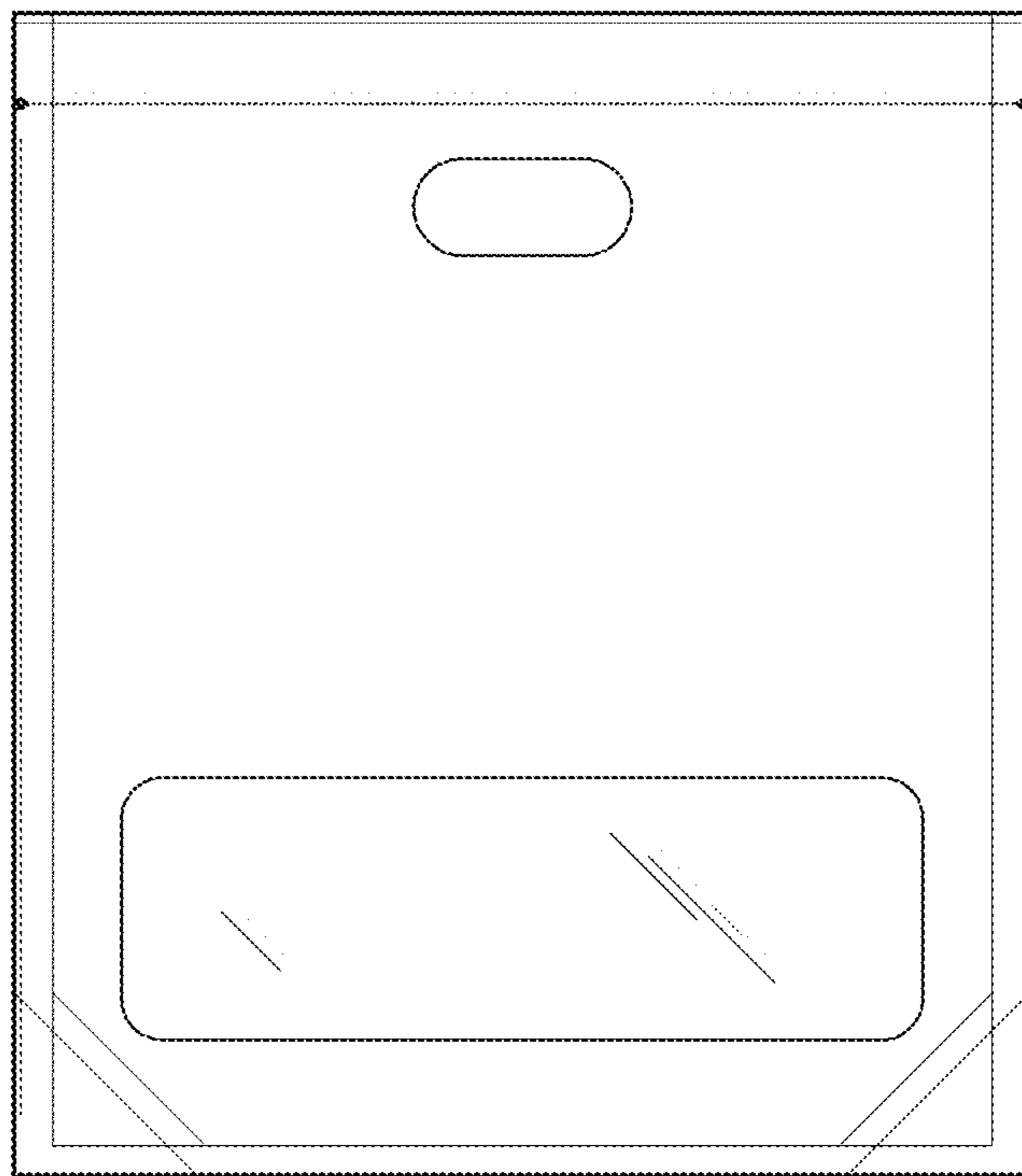


Fig. 3

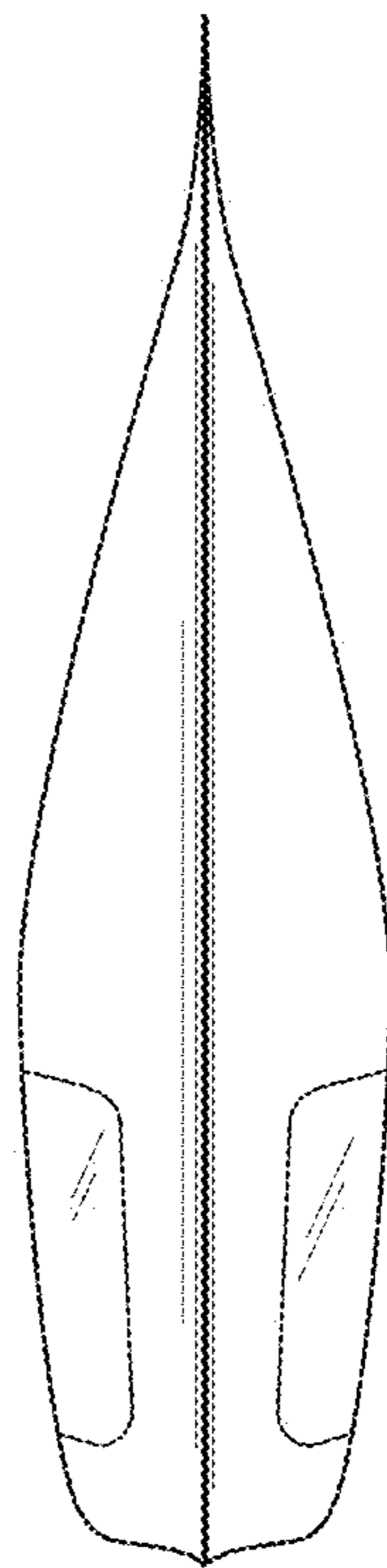


Fig. 4

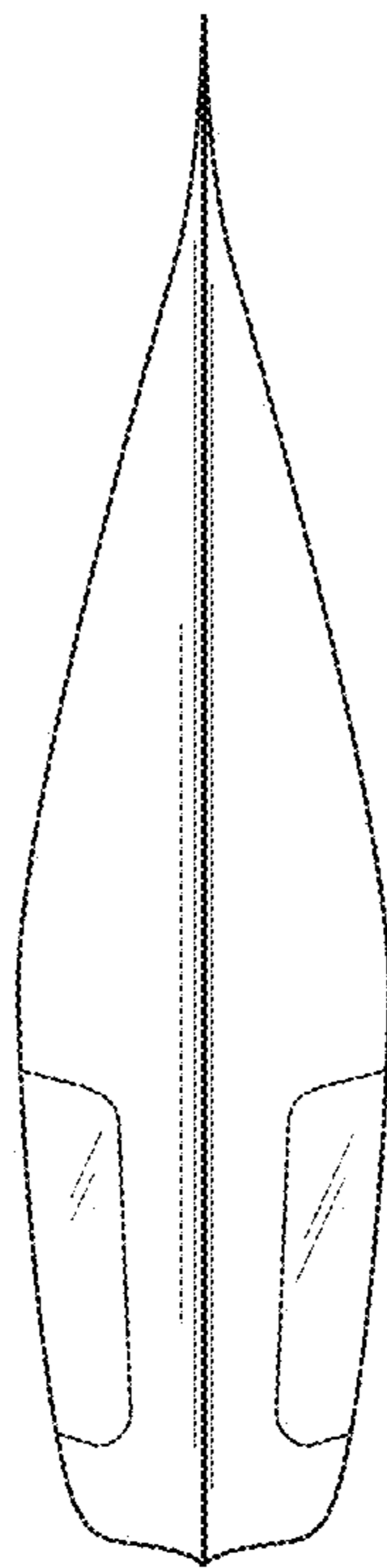


Fig. 5

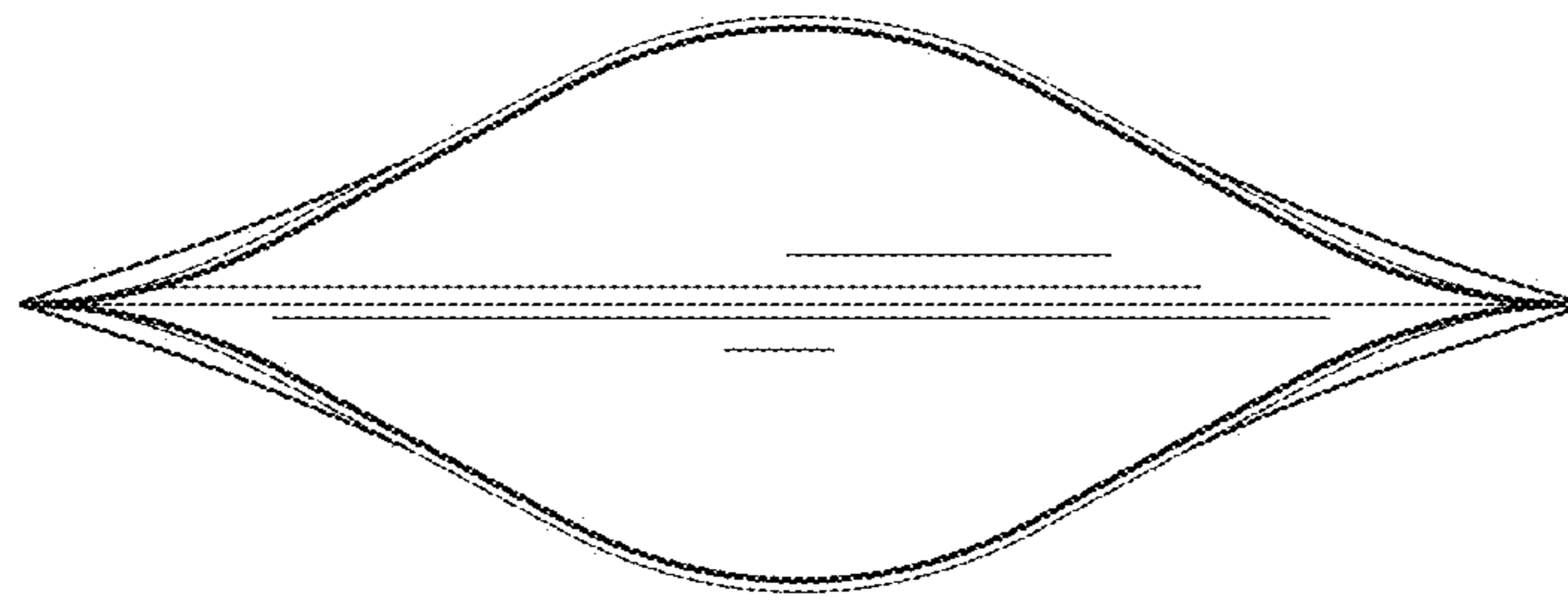


Fig. 6

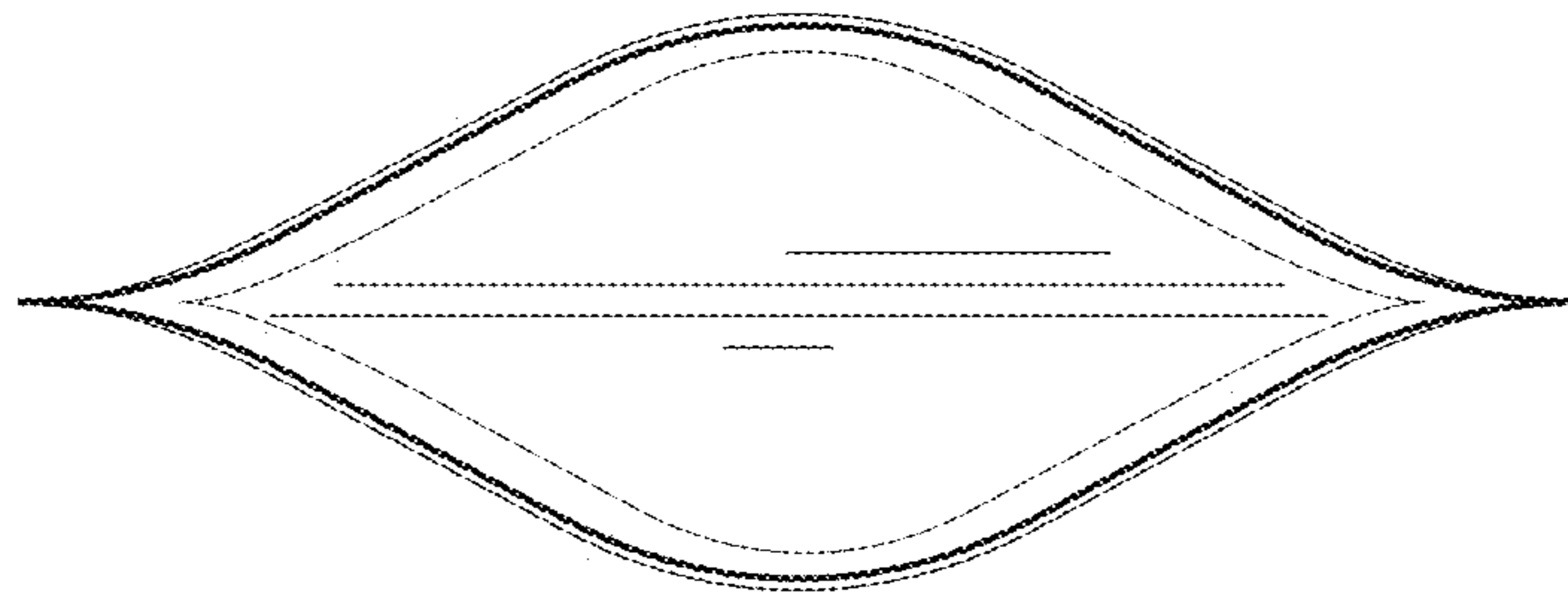


Fig. 7

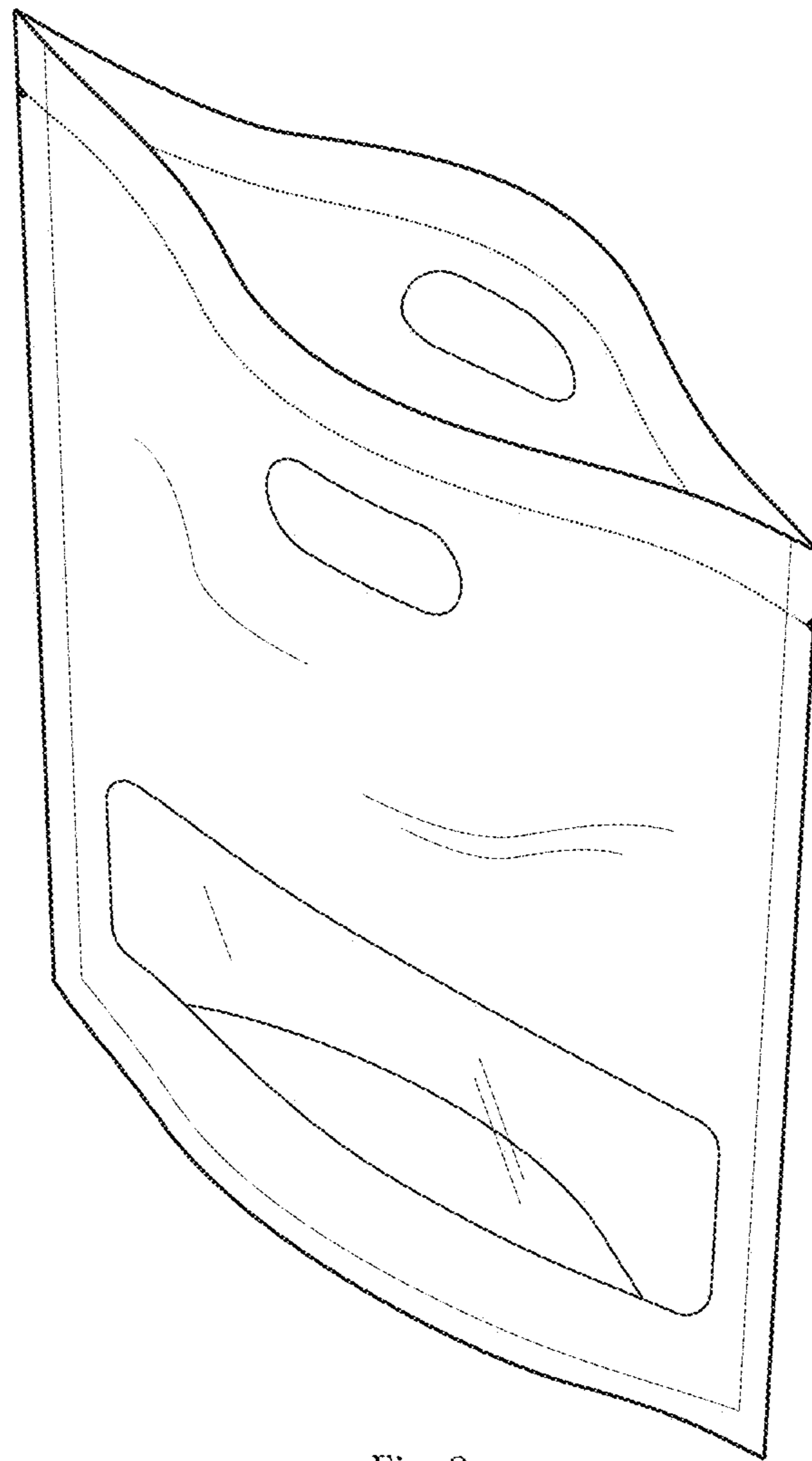


Fig. 8

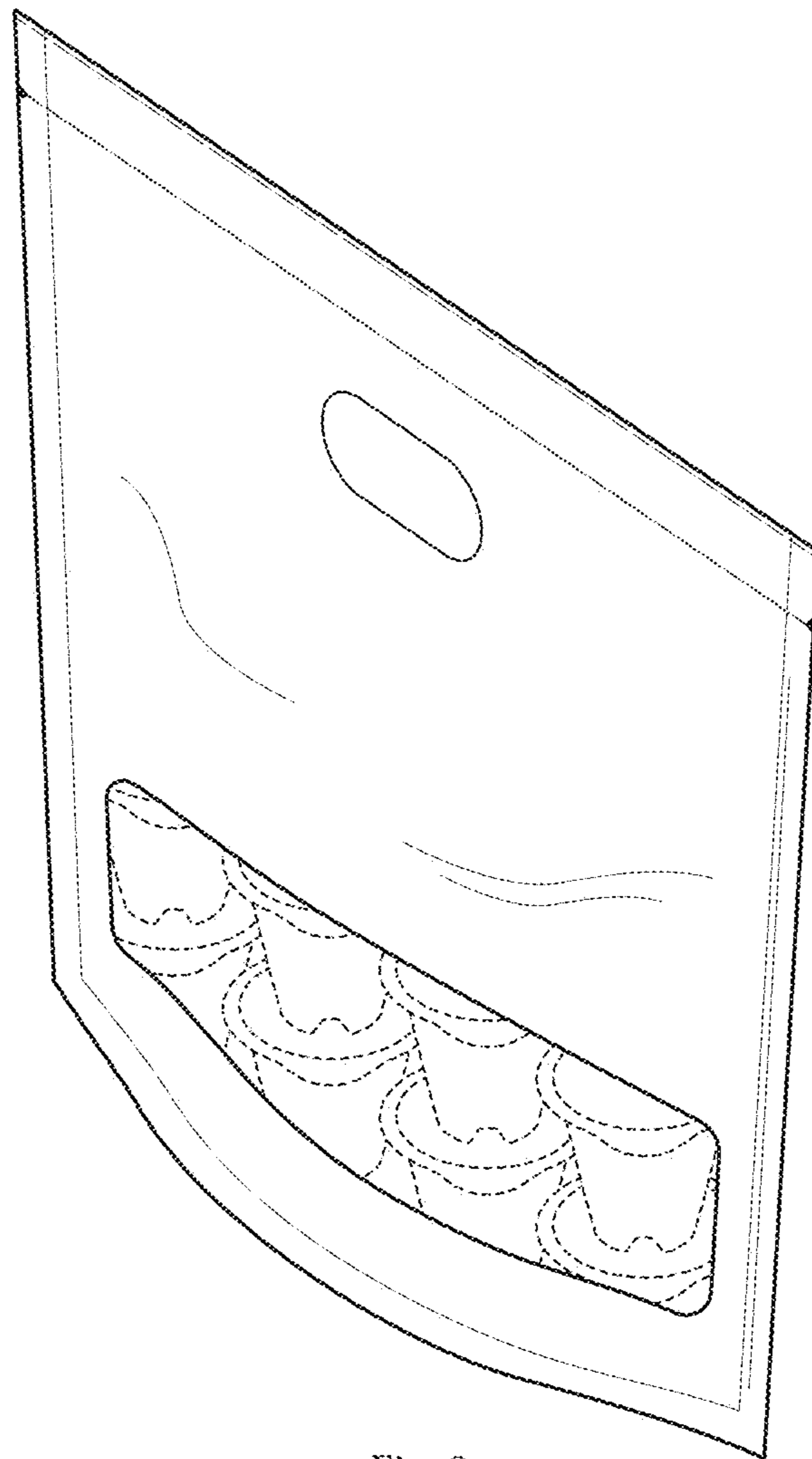


Fig. 9