



US00D968229S

(12) **United States Design Patent** (10) **Patent No.:** **US D968,229 S**  
**Palmer et al.** (45) **Date of Patent:** **\*\* Nov. 1, 2022**

(54) **CONTAINER**  
(71) Applicant: **Altium Packaging LP**, Atlanta, GA (US)

D200,672 S 3/1965 Swayze  
D201,051 S 5/1965 Shepler  
D201,103 S 5/1965 Caisse  
(Continued)

(72) Inventors: **Joe Palmer**, Marietta, GA (US); **Dena Wade**, Atlanta, GA (US)

FOREIGN PATENT DOCUMENTS

CN 202054192 U 11/2011  
CN 104443622 A 3/2015  
(Continued)

(73) Assignee: **ALTIUM PACKAGING LP**, Atlanta, GA (US)

(\*\*) Term: **15 Years**

OTHER PUBLICATIONS

(21) Appl. No.: **29/765,514**

Vintage Round Amber glass poison bottle embossed "Not to Be Taken." Online, published date unknown. Retrieved on Jul. 7, 2022 from URL: [https://www.ebay.com/itm/402822535120?\\_trkparms=amclksrc%3DITM%26aid%3D111001%26algo%3DREC.SEED%26ao%3D1%26asc%3D20180105095853%26meid%3D33267f8a2cb24016b461c2186ed7f887%26pid%3D10.\\*](https://www.ebay.com/itm/402822535120?_trkparms=amclksrc%3DITM%26aid%3D111001%26algo%3DREC.SEED%26ao%3D1%26asc%3D20180105095853%26meid%3D33267f8a2cb24016b461c2186ed7f887%26pid%3D10.*)

(22) Filed: **Jan. 8, 2021**

(51) **LOC (13) Cl.** ..... **09-01**

(52) **U.S. Cl.**  
USPC ..... **D9/556**

(58) **Field of Classification Search**  
USPC ..... D9/434-435, 439, 447, 449, 450, 452, D9/453, 454, 516, 523-524, 528-531, D9/541-544, 549-551, 558-560, 563, D9/565-566, 571-575, 682, 686, 687, D9/693-694, 715, 719, 556; D7/300, D7/300.1, 316, 317, 598; D23/211, 225  
CPC ... B65D 1/00; B65D 1/02; B65D 1/12; B65D 1/18; B65D 1/20; B65D 1/0223; B65D 23/00; B65D 21/0237; B65D 2501/0009; B65D 2501/0081

See application file for complete search history.

*Primary Examiner* — Omeed Agilee  
(74) *Attorney, Agent, or Firm* — Alston & Bird LLP

(57) **CLAIM**

The ornamental design for a container, as shown and described.

**DESCRIPTION**

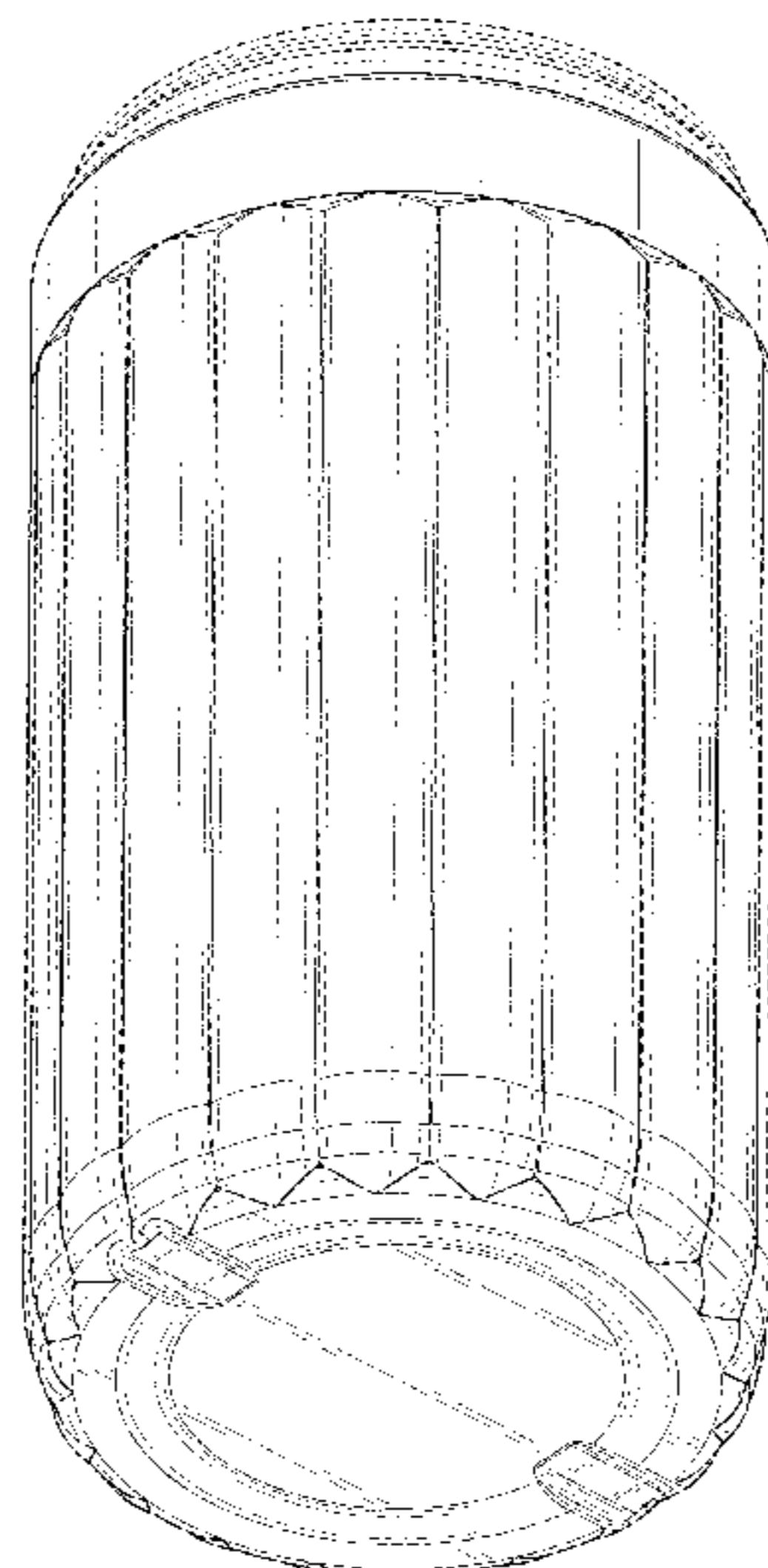
FIG. 1 is a top front perspective view of a container showing the present design.  
FIG. 2 is a bottom rear perspective view of the container of FIG. 1.  
FIG. 3 is a front view the container of FIG. 1.  
FIG. 4 is a back view of the container of FIG. 1.  
FIG. 5 is a left side view of the container of FIG. 1.  
FIG. 6 is a right side view of the container of FIG. 1.  
FIG. 7 is a top view of the container of FIG. 1; and, FIG. 8 is a bottom view of the container of FIG. 1.  
The broken lines depict portions of the container that form no part of the claimed design.

(56) **References Cited**

U.S. PATENT DOCUMENTS

D67,874 S \* 7/1925 Bromley ..... D9/556  
D95,419 S \* 4/1935 Grey ..... D9/556  
D111,794 S \* 10/1938 Oswell ..... D7/635  
D112,381 S \* 11/1938 Sauer ..... D9/556  
D164,964 S \* 10/1951 Serra ..... D9/556  
2,953,271 A 9/1960 Hohl et al.  
D193,741 S 10/1962 Westhoven et al.  
D195,697 S 7/1963 Price  
D197,190 S 12/1963 Natale et al.

**1 Claim, 8 Drawing Sheets**





(56)

References Cited

U.S. PATENT DOCUMENTS

D203,560 S 1/1966 Erickson et al.  
 D204,701 S 5/1966 Shepler  
 D208,824 S 10/1967 Platte  
 D213,821 S 4/1969 Platte  
 D215,410 S 9/1969 Hills  
 D221,515 S 8/1971 Betka  
 D222,340 S \* 10/1971 Weckman ..... D9/556  
 D229,296 S 11/1973 Cutler  
 D238,654 S 2/1976 Platte  
 D250,995 S 2/1979 Beaver  
 D264,435 S 5/1982 Pettengill  
 D264,436 S 5/1982 Pettengill  
 D264,813 S 6/1982 Potter  
 4,372,455 A 2/1983 Cochran  
 D286,000 S \* 10/1986 Bussell ..... D9/556  
 D286,379 S 10/1986 Lyons  
 D309,421 S 7/1990 Aldrich, III  
 4,964,522 A 10/1990 Umetsu et al.  
 D322,936 S 1/1992 Maginnis, Jr.  
 D348,612 S 7/1994 Ring  
 D356,264 S 3/1995 Praturlon et al.  
 D356,265 S \* 3/1995 Moloney ..... D9/518  
 D368,035 S \* 3/1996 Ahern, Jr. .... D9/556  
 D379,929 S 6/1997 Dallaire  
 D380,647 S \* 7/1997 Durand ..... D7/531  
 D391,854 S 3/1998 Ankney et al.  
 5,735,421 A 4/1998 Deemer et al.  
 5,833,115 A 11/1998 Eiten  
 D408,292 S 4/1999 Gundlach et al.  
 D421,393 S \* 3/2000 Pavely ..... D9/540  
 6,068,161 A 5/2000 Soehnlén et al.  
 D427,076 S 6/2000 Ankney et al.  
 D428,817 S 8/2000 Olson et al.  
 6,220,475 B1 4/2001 Nayar et al.  
 6,237,792 B1 5/2001 Skolnicki et al.  
 6,264,053 B1 7/2001 Slat  
 D470,417 S 2/2003 Anderson  
 6,527,133 B1 3/2003 McCollum et al.  
 6,588,612 B1 7/2003 Dorn et al.  
 D485,497 S 1/2004 Steele, IV et al.  
 D488,721 S 4/2004 Peronek  
 6,889,858 B2 5/2005 McCollum et al.  
 D514,949 S \* 2/2006 Dalton ..... D9/556  
 7,059,486 B2 6/2006 Van Der Heijden et al.  
 D528,003 S 9/2006 Livingston  
 D538,166 S 3/2007 Bertin et al.  
 D539,156 S 3/2007 Fraser et al.  
 D559,692 S 1/2008 Floyd et al.  
 D593,863 S 6/2009 Fahy et al.  
 D611,826 S 3/2010 Kuroki et al.  
 7,686,168 B1 3/2010 Smiley et al.  
 7,699,171 B2 4/2010 Rivera et al.  
 7,789,255 B2 9/2010 Zoppas  
 8,047,392 B2 11/2011 Eiten et al.  
 D652,729 S 1/2012 Young et al.  
 D662,421 S 6/2012 Dorn  
 8,276,775 B2 10/2012 Boukobza  
 D678,072 S 3/2013 Lobbestael et al.  
 D685,641 S 7/2013 Tomkins et al.  
 D686,080 S 7/2013 Tomkins et al.  
 8,668,101 B2 3/2014 Lobbestael et al.  
 8,893,908 B2 11/2014 Treece et al.  
 8,979,524 B2 3/2015 Lobbestael et al.  
 D733,566 S 7/2015 Lobbestael et al.  
 D739,248 S 9/2015 Janeczek  
 D742,747 S 11/2015 Lobbestael et al.  
 9,446,551 B2 9/2016 Lobbestael et al.  
 D800,567 S 10/2017 Palmer et al.  
 9,981,768 B1 5/2018 Joey et al.  
 D823,690 S 7/2018 Palmer et al.  
 D823,691 S 7/2018 Palmer et al.  
 10,384,824 B2 8/2019 Palmer et al.  
 D874,284 S 2/2020 Palmer et al.  
 D874,940 S 2/2020 Janeczek et al.  
 D903,420 S \* 12/2020 Kander ..... D9/516

D908,433 S \* 1/2021 Sapire ..... D9/556  
 11,027,884 B2 6/2021 Manderfield et al.  
 D932,311 S 10/2021 Manderfield et al.  
 2002/0153343 A1 10/2002 Tobias et al.  
 2003/0006210 A1 1/2003 Iizuka et al.  
 2003/0155324 A1 8/2003 McCollum et al.  
 2003/0230545 A1 12/2003 Mount et al.  
 2004/0094502 A1 5/2004 Boukobza  
 2004/0164047 A1 8/2004 White  
 2005/0082251 A1 4/2005 Dan et al.  
 2005/0127024 A1 6/2005 Darr  
 2006/0260971 A1 11/2006 Rivera et al.  
 2007/0023384 A1 2/2007 Janeczek  
 2010/0089863 A1 4/2010 Matsuoka  
 2011/0132863 A1 6/2011 Dorn  
 2011/0226788 A1 9/2011 Yourist  
 2011/0284541 A1 11/2011 Webster et al.  
 2012/0241405 A1 9/2012 Lobbestael et al.  
 2013/0001234 A1 1/2013 Glover  
 2014/0197127 A1 7/2014 Lane et al.  
 2015/0014274 A1 1/2015 Glover  
 2016/0167822 A1 6/2016 Oostwouder  
 2016/0272356 A1 9/2016 Simpson et al.  
 2017/0158370 A1 6/2017 Kuhar et al.  
 2017/0305590 A1 10/2017 Grabber  
 2018/0244423 A1 8/2018 Palmer et al.  
 2019/0193890 A1 6/2019 Palmer et al.  
 2021/0214116 A1 7/2021 Palmer et al.  
 2021/0261298 A1 8/2021 Manderfield et al.

FOREIGN PATENT DOCUMENTS

DE 2062684 A1 7/1972  
 DE 7505888 U 7/1975  
 FR 1300440 A 8/1962  
 FR 3022896 A1 1/2016  
 JP 2017119543 A 7/2017  
 WO WO 1998/033712 A1 8/1998

OTHER PUBLICATIONS

Notice of Allowance and Fee(s) Due for U.S. Appl. No. 29/692,723, dated Apr. 6, 2021, (17 pages), United States Patent and Trademark Office, USA.  
 Canadian Intellectual Property Office, Examiner's Report for Application No. 181964, dated Jul. 23, 2018, 2 pages, Canada.  
 Canadian Intellectual Property Office, Requisition by the Examiner for Application No. 3,009,203, dated Sep. 6, 2018, 3 pages, Canada.  
 European Union Intellectual Property Office, Examination Report for Application Nos. 005316882-0001/005316882-0003, dated Aug. 14, 2018, 1 page, Spain.  
 International Searching Authority, Invitation to Pay Additional Fees for Application No. PCT/US2017/047891, dated Nov. 2, 2017, (14 pages), European Patent Office, Netherlands.  
 International Searching Authority, International Search Report and Written Opinion for Application No. PCT/US2017/047891, dated Jan. 5, 2018, (21 pages), European Patent Office, Netherlands.  
 International Search Report and Written Opinion for International Application No. PCT/US2020/013520, dated Jul. 1, 2020, (12 pages), Rijswijk, Netherlands.  
 Office Action for U.S. Appl. No. 15/255,403, dated Sep. 29, 2017, (9 pages), United States Patent and Trademark Office, USA.  
 Notice of Allowance for U.S. Appl. No. 15/255,403, dated Mar. 5, 2018, (10 pages), United States Patent and Trademark Office, USA.  
 NonFinal Office Action for U.S. Appl. No. 16/252,082, dated Jul. 8, 2020, (21 pages), United States Patent and Trademark Office, USA.  
 Final Office Action for U.S. Appl. No. 16/252,082, dated Jan. 21, 2021, (17 pages), United States Patent and Trademark Office, USA.  
 Notice of Allowance and Issue Fee(s) Due for U.S. Appl. No. 29/698,691, dated Jun. 3, 2021, (8 pages), United States Patent and Trademark Office, USA.  
 NonFinal Office Action for U.S. Appl. No. 29/799,833, dated Oct. 5, 2021, (17 pages), United States Patent and Trademark Office, USA.

(56)

**References Cited**

OTHER PUBLICATIONS

NonFinal Office Action for U.S. Appl. No. 17/039,320, dated Sep. 1, 2021, (14 pages), United States Patent and Trademark Office, USA.

International Searching Authority, International Search Report and Written Opinion for International Application No. PCT/US2021/012586, dated May 4, 2021, (13 pages), European Patent Office, Rijswijk, Netherlands.

Notice of Allowance and Fee(s) Due for U.S. Appl. No. 16/252,082, dated Apr. 14, 2021, (10 pages), United States Patent and Trademark Office, USA.

Notice of Allowance and Fee(s) Due for U.S. Appl. No. 29/799,833, dated Nov. 24, 2021, (9 pages), United States Patent and Trademark Office, USA.

Supplemental Notice of Allowability For A Design Application for U.S. Appl. No. 29/799,833, dated Dec. 8, 2021, (6 pages), United States Patent and Trademark Office, USA.

Final Office Action for U.S. Appl. No. 17/039,320, dated Dec. 13, 2021, (11 pages), United States Patent and Trademark Office.

NonFinal Office Action for U.S. Appl. No. 17/144,760, dated Jun. 28, 2022, (28 pages), United States Patent and Trademark Office, Alexandria, Virginia, US.

\* cited by examiner



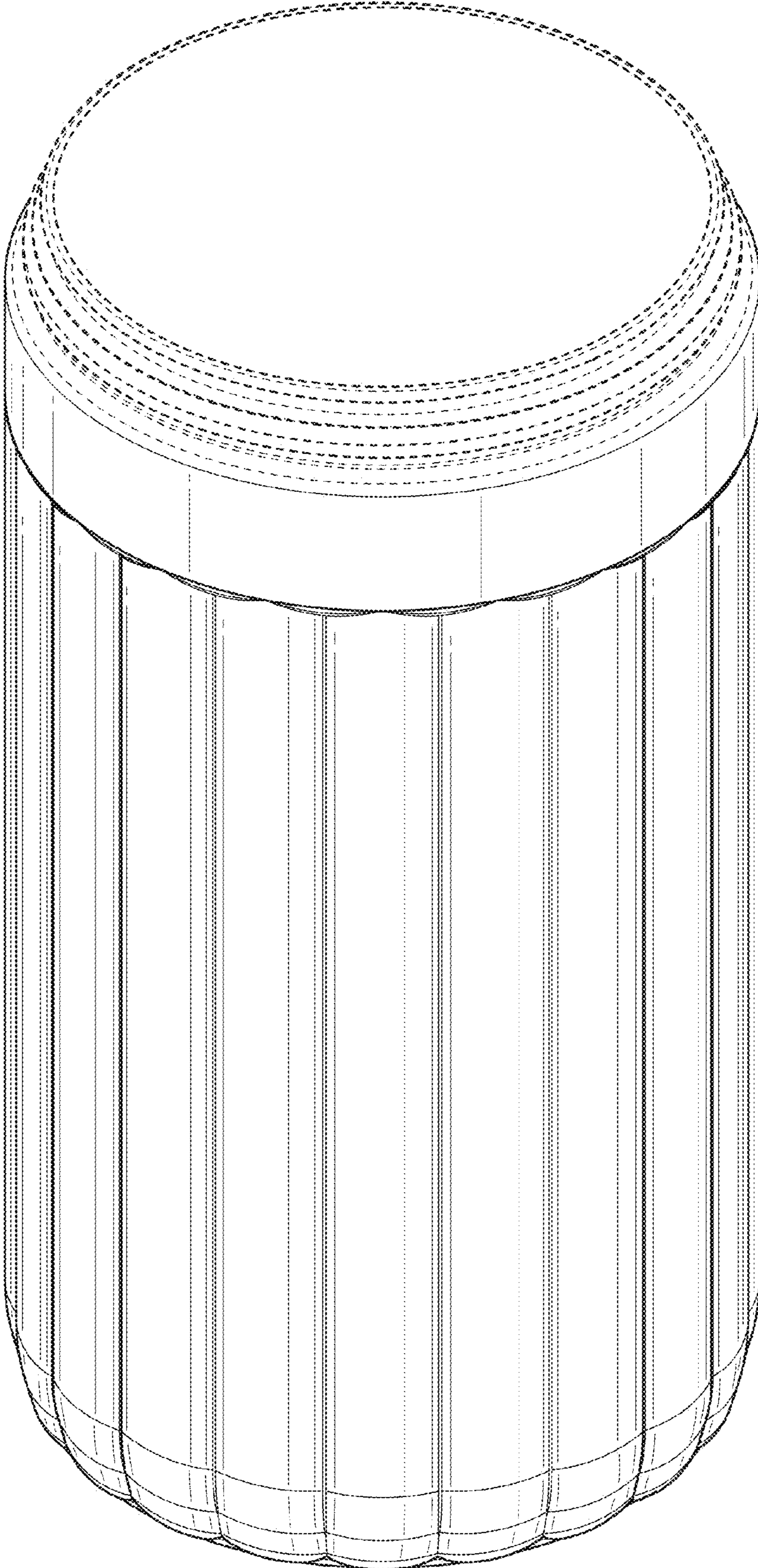


FIG. 1

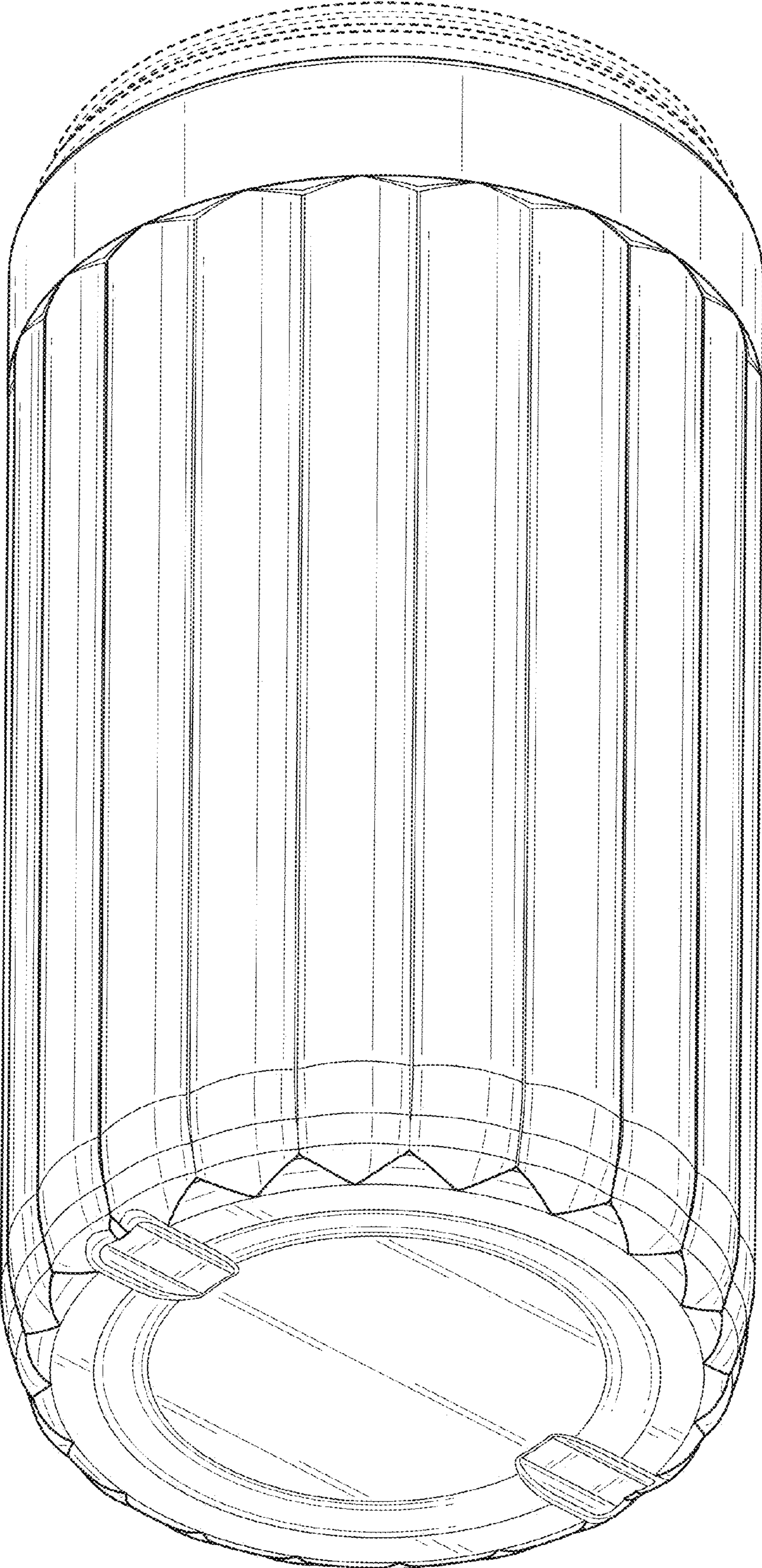


FIG. 2



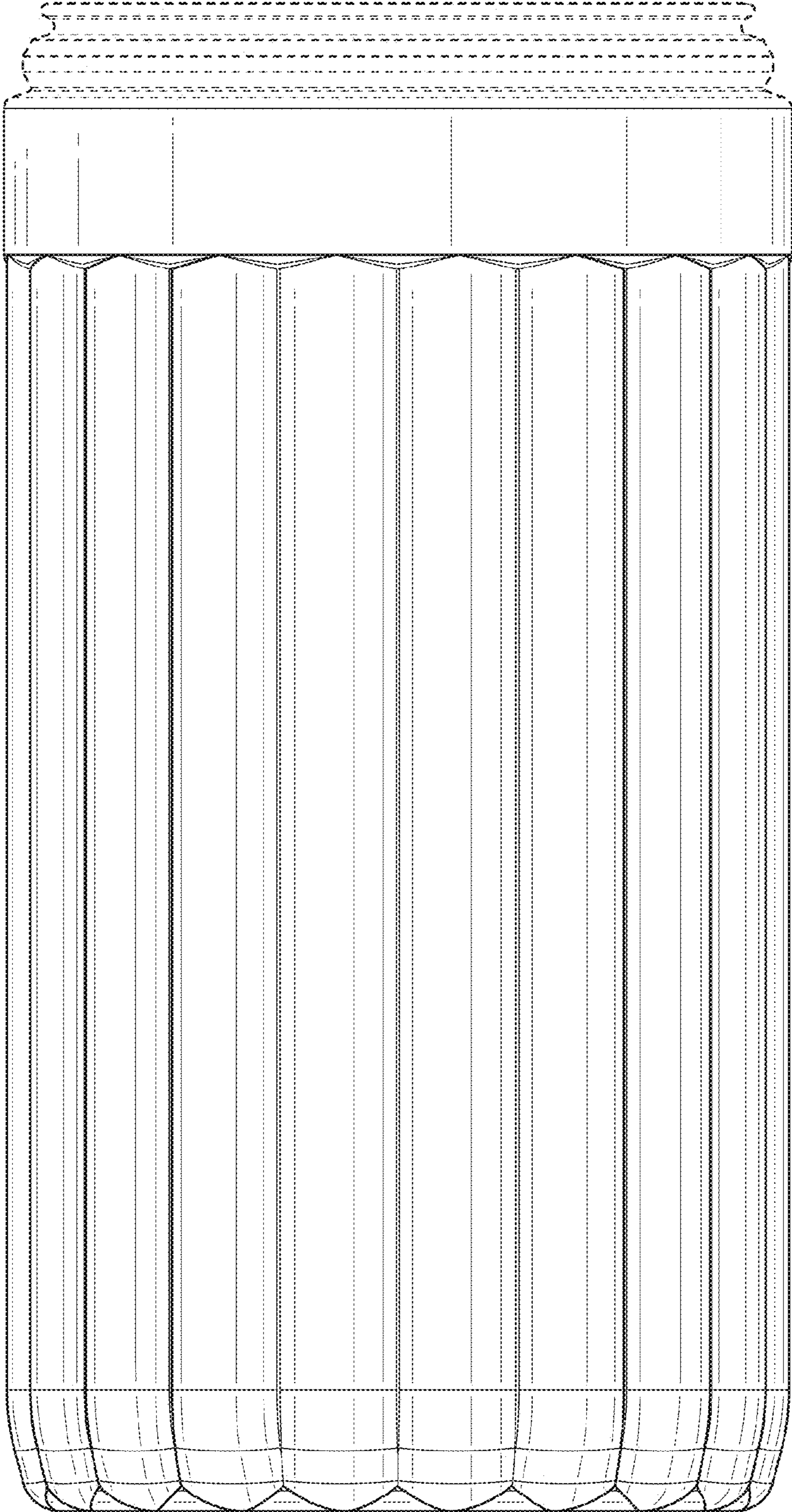


FIG. 3

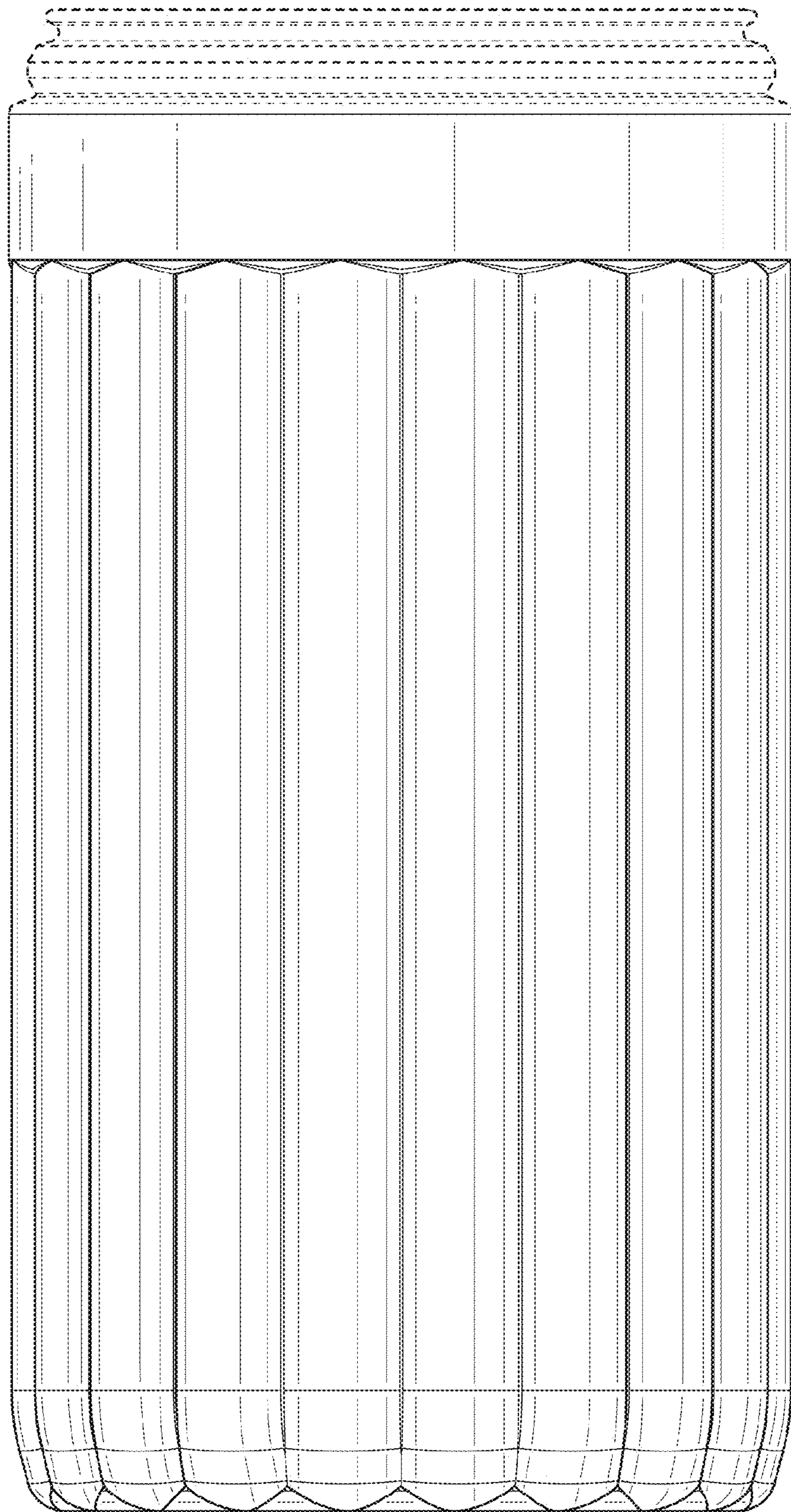


FIG. 4



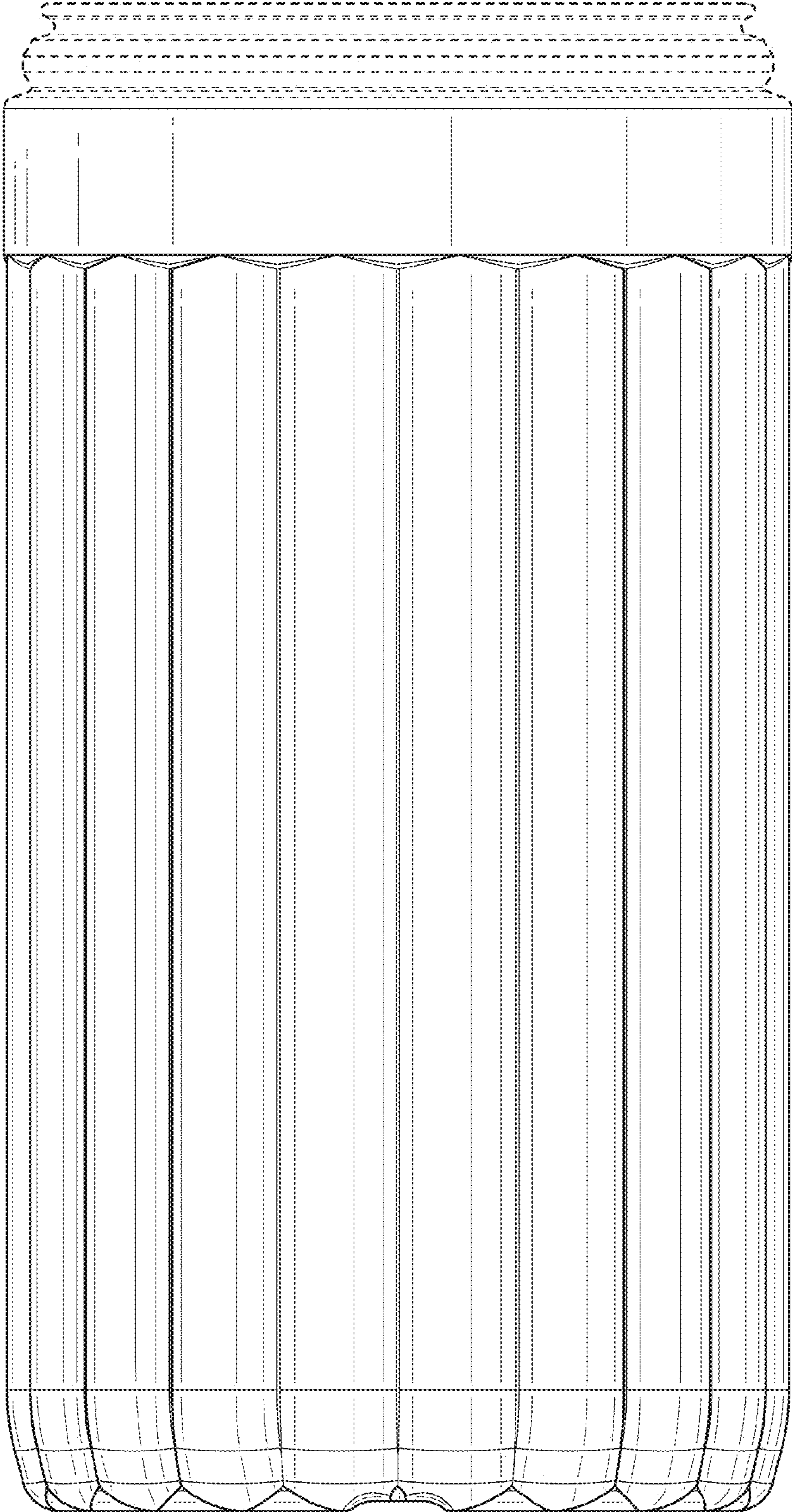


FIG. 5



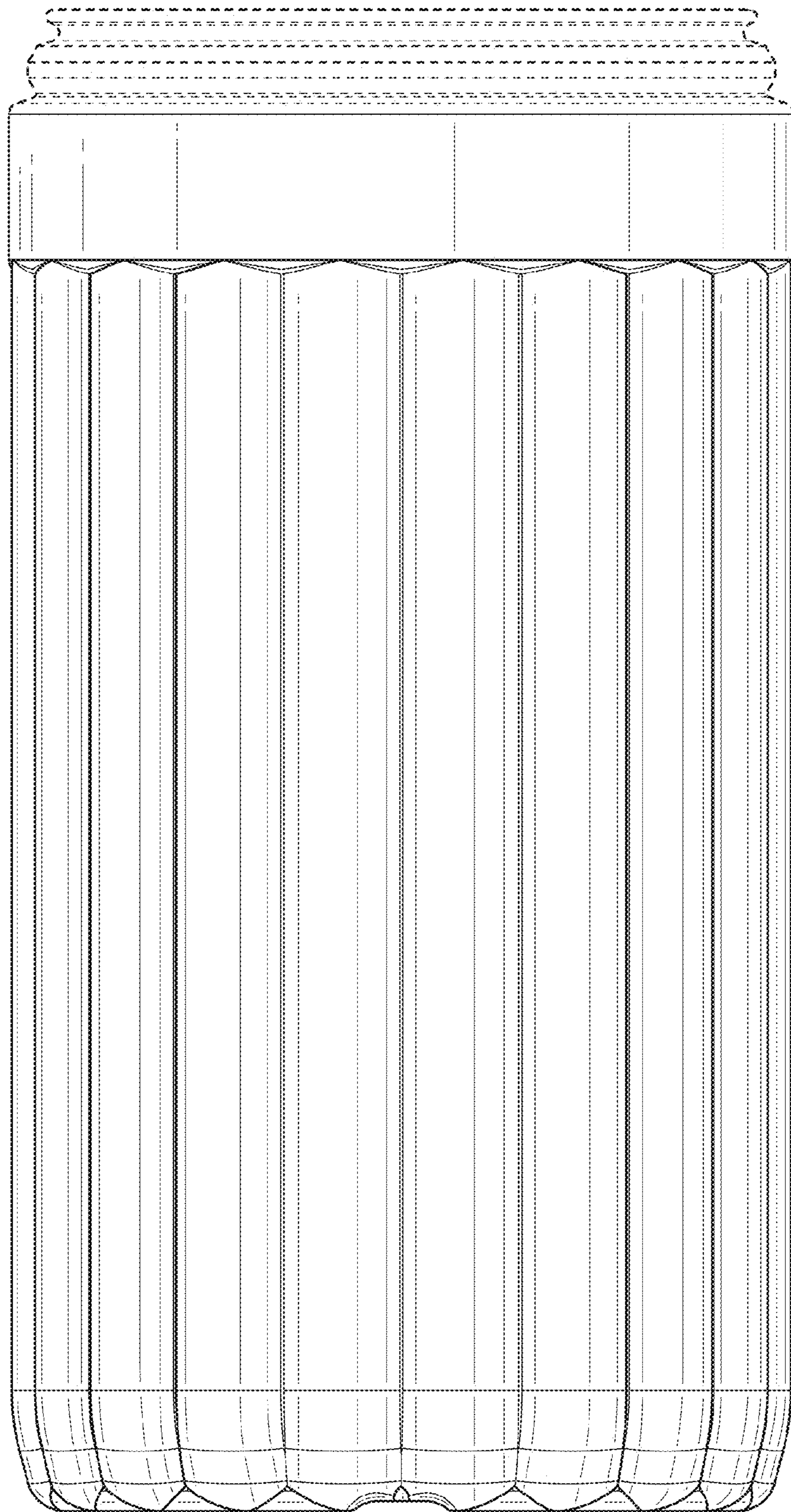


FIG. 6

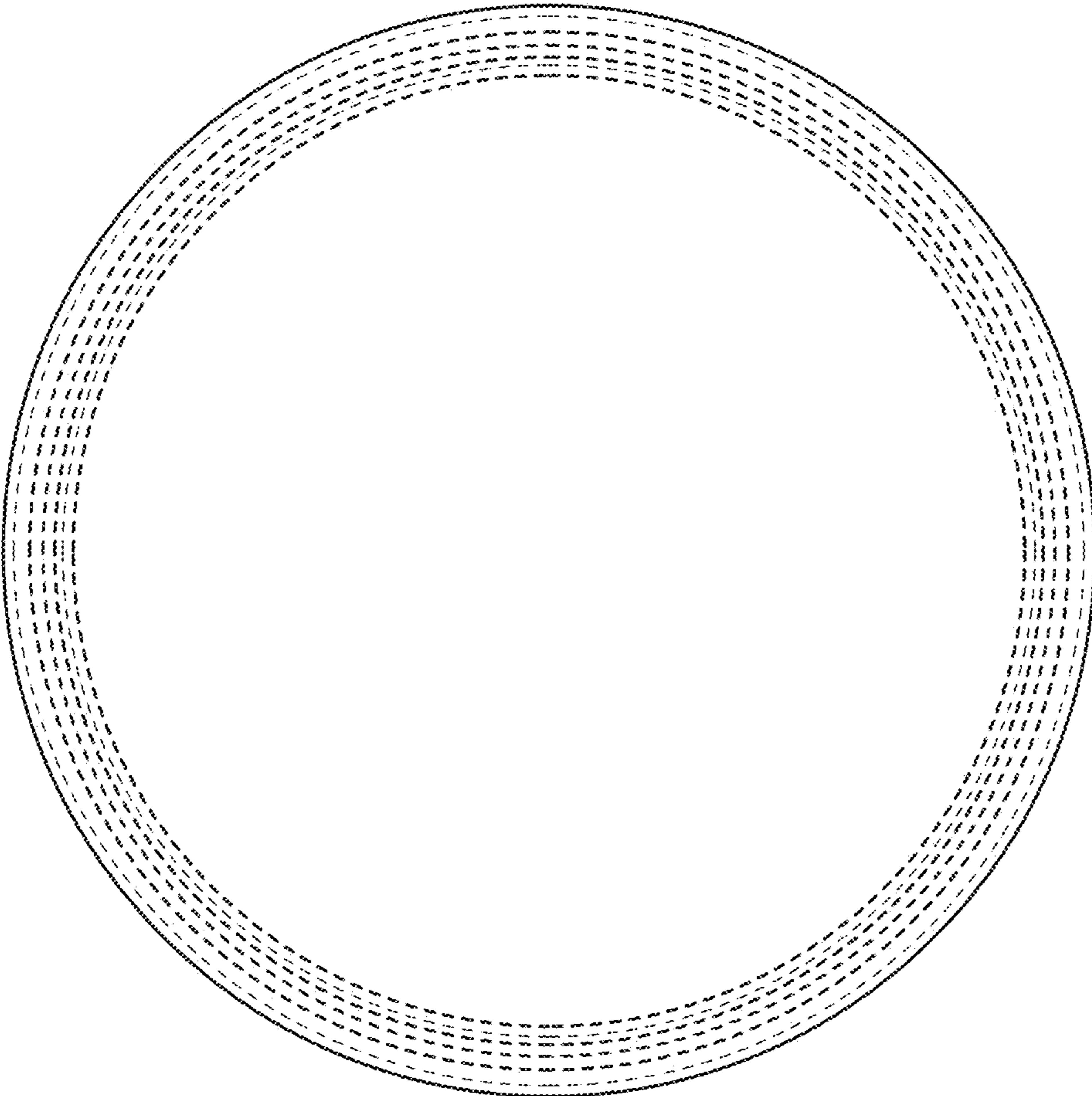


FIG. 7



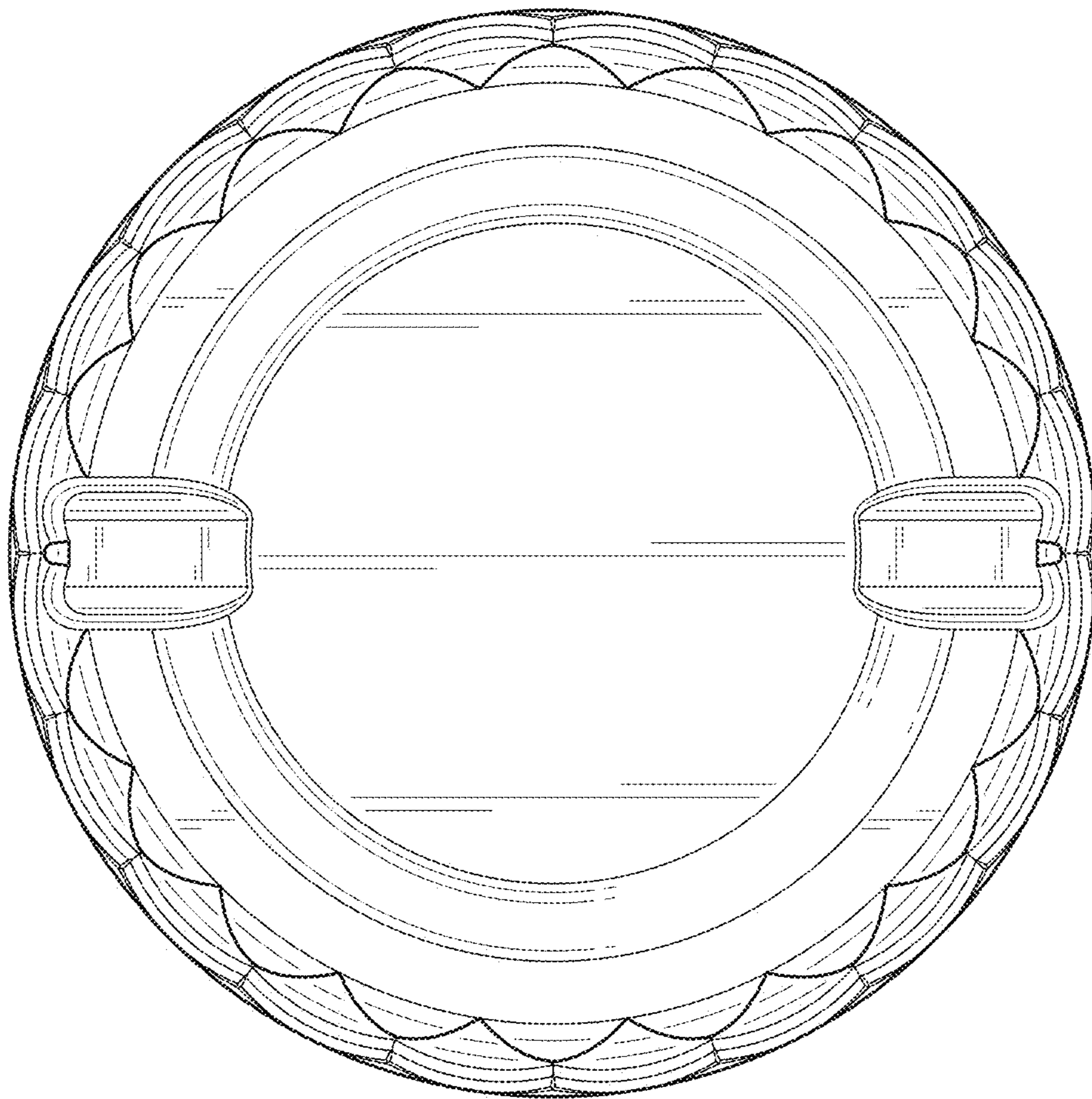


FIG. 8