



US00D968224S

(12) **United States Design Patent**
Robinson

(10) **Patent No.:** **US D968,224 S**

(45) **Date of Patent:** **** Nov. 1, 2022**

(54) **COSMETIC PACKAGE**

(71) Applicant: **PW Branding, Inc.**, Los Angeles, CA
(US)

(72) Inventor: **Edward Robinson**, Nottinghamshire
(GB)

(**) Term: **15 Years**

(21) Appl. No.: **29/754,059**

(22) Filed: **Oct. 6, 2020**

(51) **LOC (13) Cl.** **09-01**

(52) **U.S. Cl.**
USPC **D9/529**; D9/504; D9/549; D9/575

(58) **Field of Classification Search**
USPC D9/521, 522, 529, 549, 551, 552, 554,
D9/558, 559, 560, 561, 562, 566, 567,
D9/570-575, 430, 433, 434, 454, 500,
D9/501, 503, 504, 682, 686, 691, 693;
D28/73, 76, 78, 82, 88; D3/903
CPC A45D 40/0068; A45D 2200/051; B65D
2251/0015; B65D 50/041
See application file for complete search history.

(56) **References Cited**

U.S. PATENT DOCUMENTS

D251,182 S *	2/1979	Angleman	D9/504
D266,486 S *	10/1982	Lutz	D9/503
D281,673 S *	12/1985	Lampe	D9/529
D293,891 S *	1/1988	Molvik	D9/529
5,051,017 A *	9/1991	Yorks	A45D 34/041 401/209

(Continued)

Primary Examiner — Brett Miller

Assistant Examiner — Rani J Abdallah

(74) *Attorney, Agent, or Firm* — Leo V. Gureff; Muncy,
Geissler, Olds & Lowe, P.C.

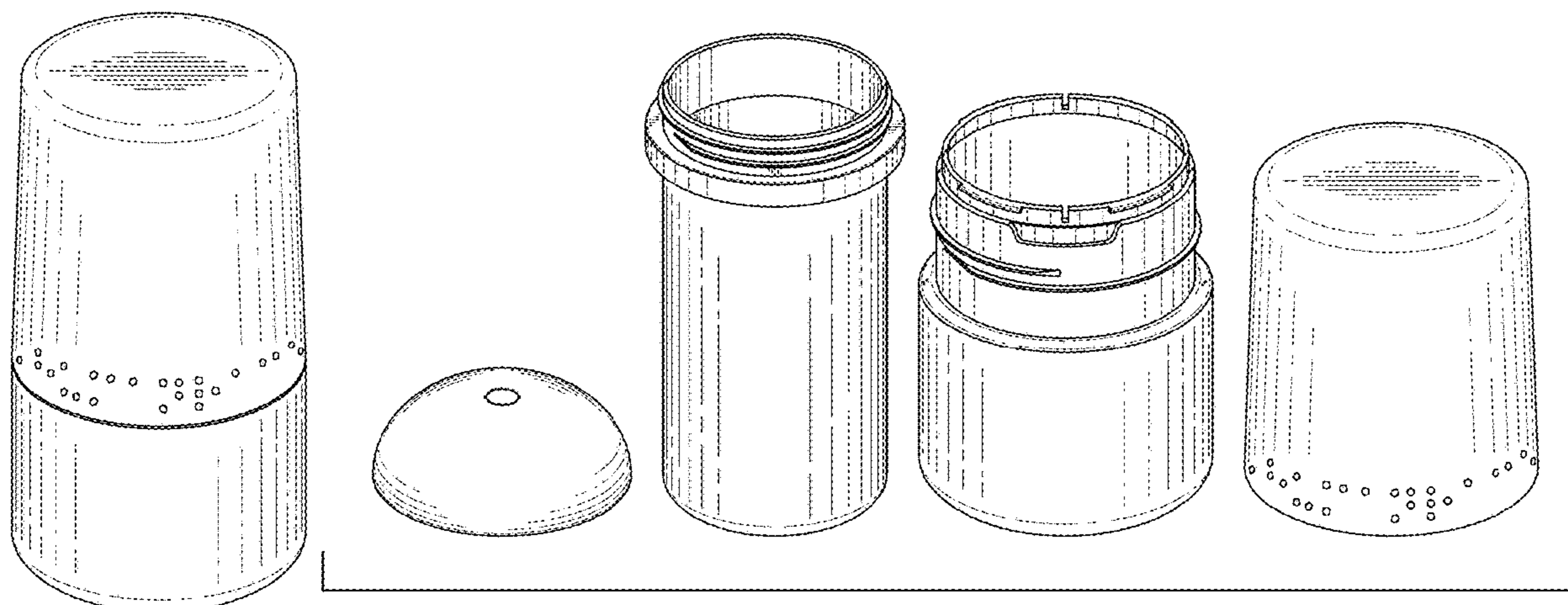
(57) **CLAIM**

The ornamental design for a cosmetic package, as shown and described.

DESCRIPTION

FIG. 1 is a front perspective view of the cosmetic package showing my new design;
 FIG. 2 is a perspective view showing a first component separate from a second component, and showing tops of the first component and the second component removed;
 FIG. 3 is a front perspective view of the first component with the top removed;
 FIG. 4 is a front elevational view of the first component with the top removed;
 FIG. 5 is a rear elevational view of the first component with the top removed;
 FIG. 6 is a right side elevational view of the first component with the top removed;
 FIG. 7 is a left side elevational view of the first component with the top removed;
 FIG. 8 is a top view of the first component with the top removed;
 FIG. 9 is a bottom view of the first component with the top removed;
 FIG. 10 is a front perspective view of the second component with the top removed;
 FIG. 11 is a front elevational view of the second component with the top removed;
 FIG. 12 is a rear elevational view of the second component with the top removed;
 FIG. 13 is a right side elevational view of the second component with the top removed;
 FIG. 14 is a left side elevational view of the second component with the top removed;
 FIG. 15 is a top view of the second component with the top removed; and,
 FIG. 16 is a bottom view of the second component with the top removed.
 The broken lines shown illustrate portions of the cosmetic package that form no part of the claimed design.

1 Claim, 16 Drawing Sheets



(56)

References Cited

U.S. PATENT DOCUMENTS

5,297,732 A * 3/1994 Hahn B05B 11/0027
 206/823
 D405,371 S * 2/1999 Herr D9/503
 D413,799 S * 9/1999 Schlatter D9/504
 D438,297 S * 2/2001 Audebourg D9/503
 D500,952 S * 1/2005 Moore D9/504
 D534,076 S * 12/2006 Green A45D 40/0068
 D9/454
 D544,351 S * 6/2007 Dittmer D9/504
 D544,352 S * 6/2007 Dittmer D9/504
 D545,678 S * 7/2007 Dittmer D9/504
 D548,084 S * 8/2007 Dittmer D9/504
 D565,952 S * 4/2008 Mettler D9/504
 D566,558 S * 4/2008 Bakic D9/503
 D566,559 S * 4/2008 Swint D9/504
 D567,090 S * 4/2008 Swint D9/504
 D571,663 S * 6/2008 Bakic D9/504
 D573,478 S * 7/2008 Kruparova D9/551
 D576,885 S * 9/2008 Briozzo Fernandez D9/551
 D633,392 S * 3/2011 Northrop D9/500
 D637,910 S * 5/2011 Yeung D9/504
 D638,710 S * 5/2011 Yeung D9/504
 D685,639 S * 7/2013 Colon D9/504
 D687,303 S * 8/2013 Colon D9/504
 D721,967 S * 2/2015 DeMarco D9/504
 D722,829 S * 2/2015 Valderrama D9/500
 D732,893 S * 6/2015 Bronwasser D9/503
 D739,739 S * 9/2015 DeMarco D9/504
 D739,741 S * 9/2015 Staab D9/504
 D759,488 S * 6/2016 Gibson D9/454

D784,138 S * 4/2017 Kim D9/503
 D795,074 S * 8/2017 Staab D9/504
 D836,459 S * 12/2018 Thuesen D9/503
 D838,594 S * 1/2019 Ainsworth, Jr. D9/454
 D843,835 S * 3/2019 Staab D7/608
 D844,440 S * 4/2019 Allen, III D9/504
 D844,441 S * 4/2019 DeMarco D9/529
 D867,069 S * 11/2019 Wang D9/504
 D874,227 S * 2/2020 Fleischhut A45D 40/26
 D9/500
 D892,569 S * 8/2020 Haller D9/529
 D892,624 S * 8/2020 Son B65D 23/00
 D9/454
 D899,254 S * 10/2020 Kilduff A45D 33/025
 D9/500
 2008/0217344 A1 * 9/2008 Bodenbender A45D 40/0068
 220/694
 2016/0176591 A1 * 6/2016 Thomas B65D 50/041
 215/218
 2018/0132592 A1 * 5/2018 Chung A45D 33/025
 2019/0135491 A1 * 5/2019 Harvey B65D 43/0225
 D9/529
 2019/0281949 A1 * 9/2019 Eng B65D 53/02
 D9/529
 2021/0093069 A1 * 4/2021 Jesberg A45D 40/0068
 D9/454
 2021/0274910 A1 * 9/2021 Liu A45D 40/06
 2021/0345754 A1 * 11/2021 Hwang A45D 40/26
 D9/503
 2021/0368964 A1 * 12/2021 Bickford A45D 40/221
 D9/503

* cited by examiner

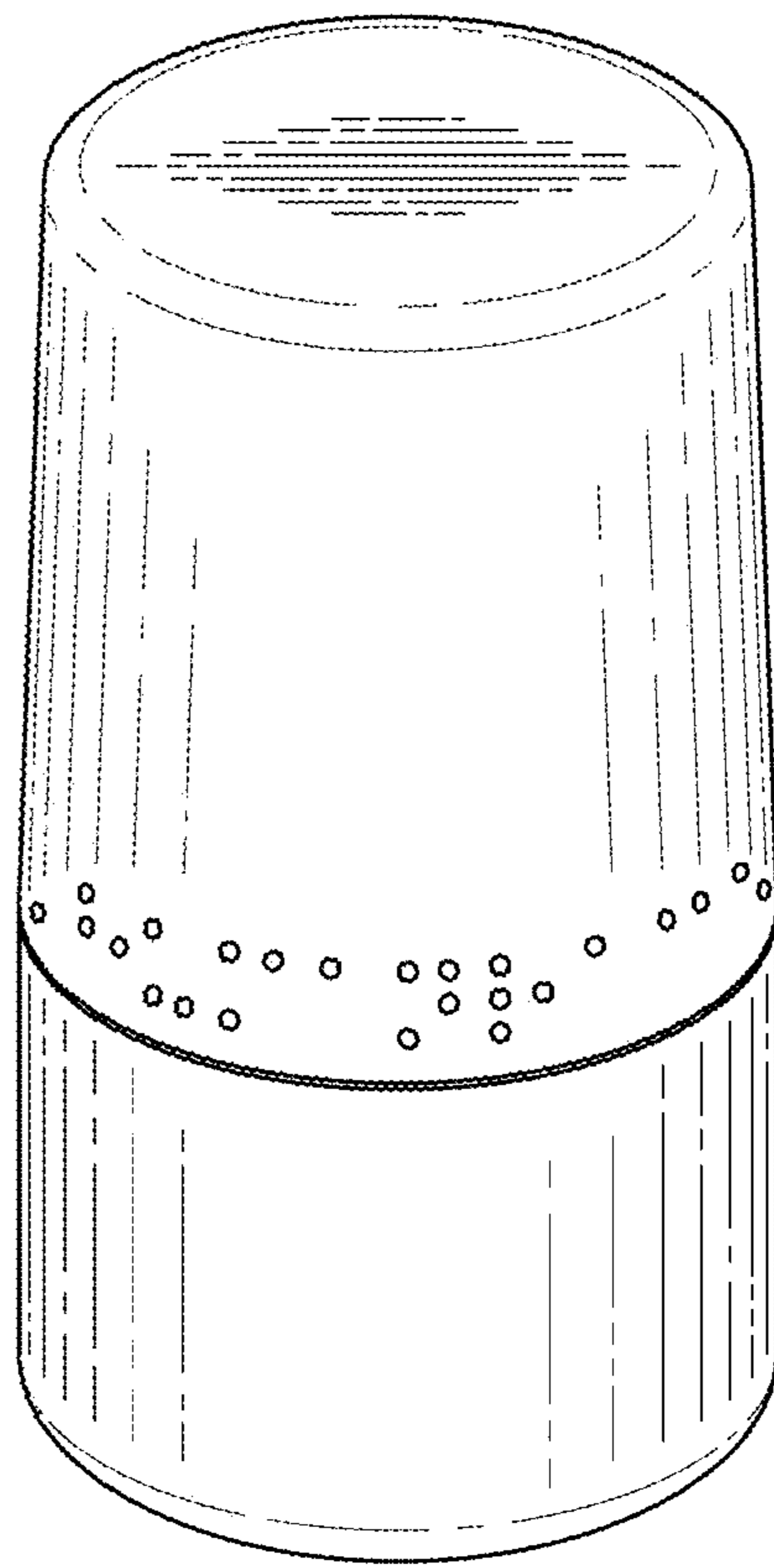


FIG. 1

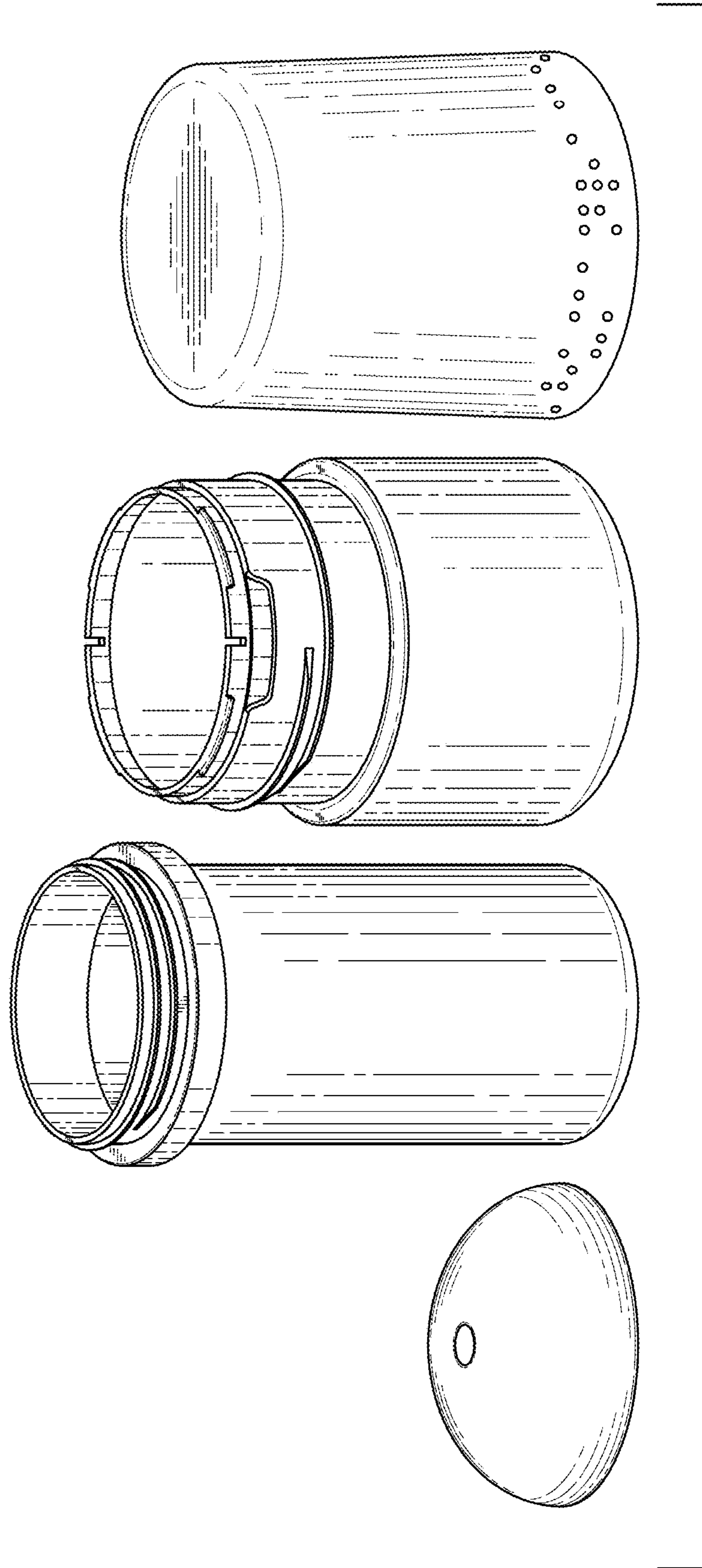


FIG. 2

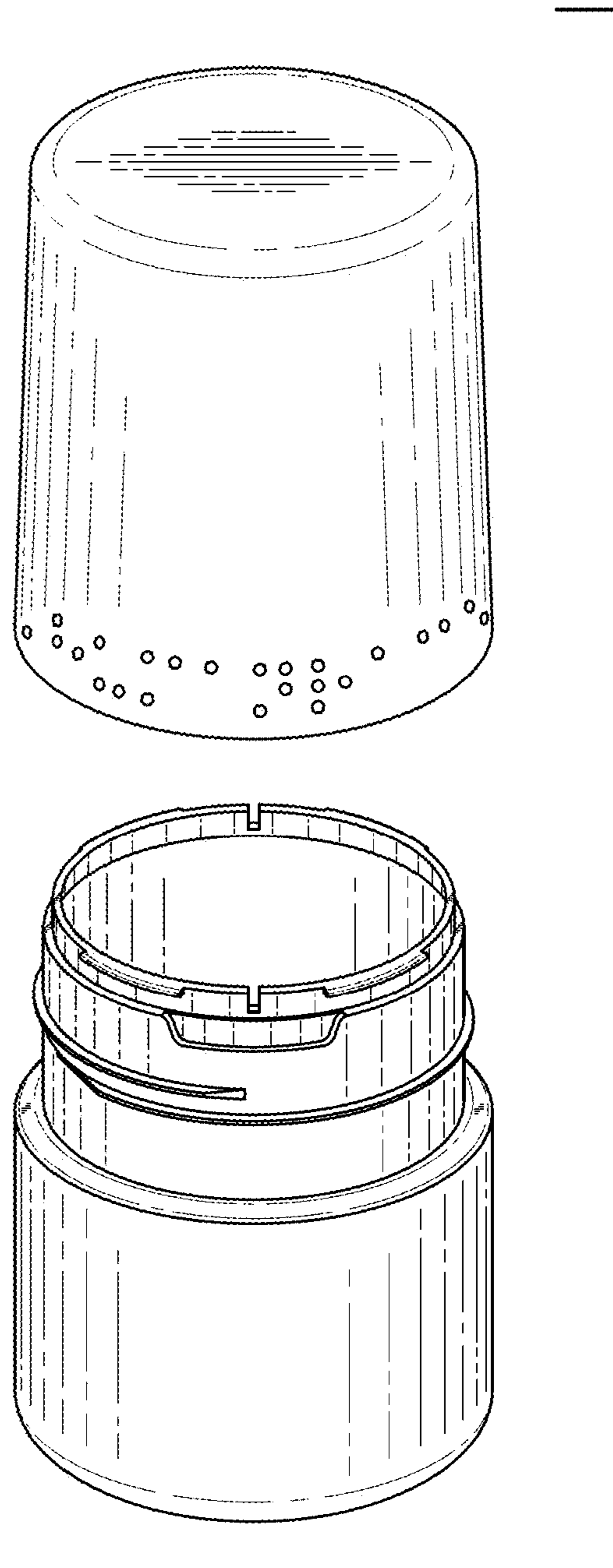


FIG. 3

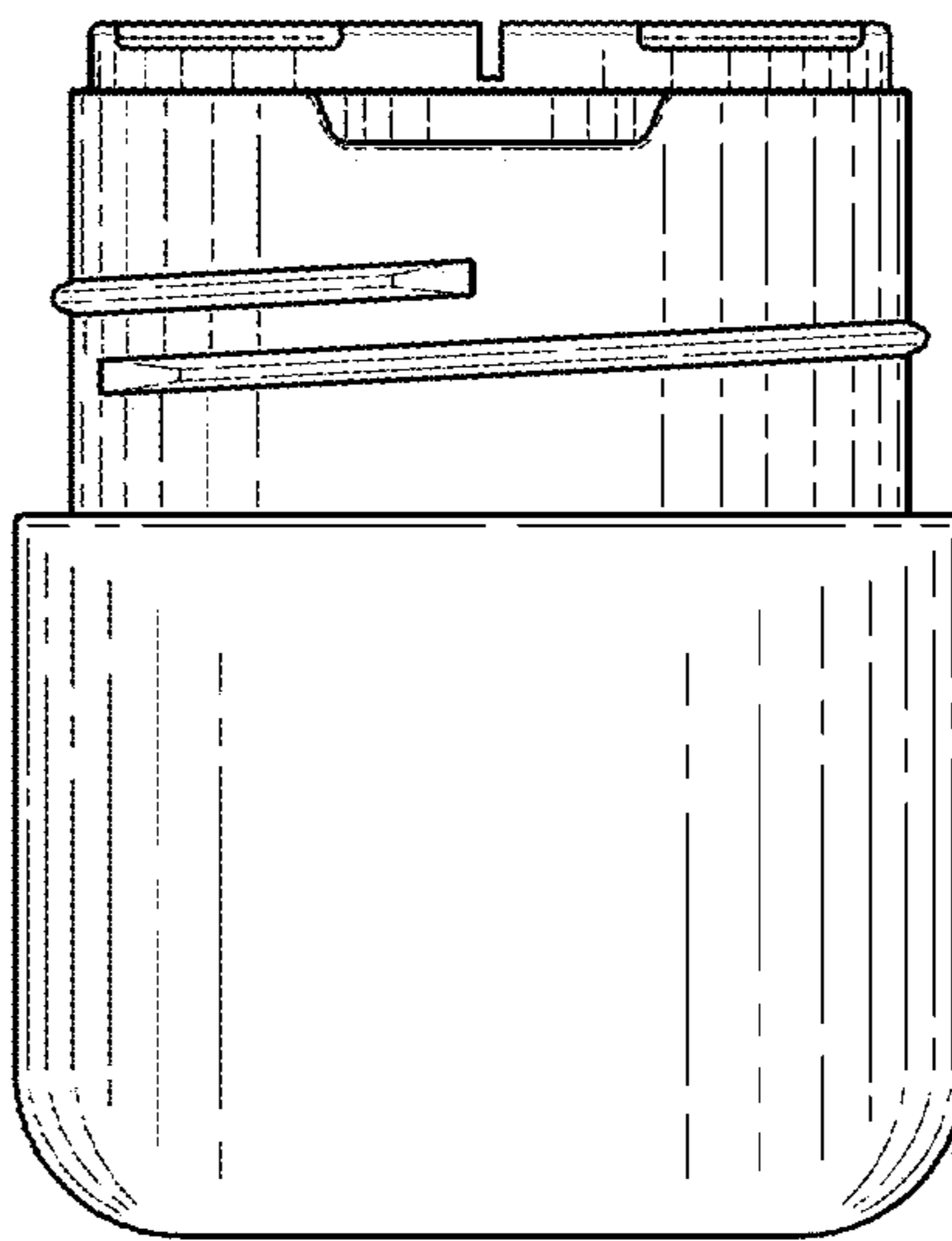
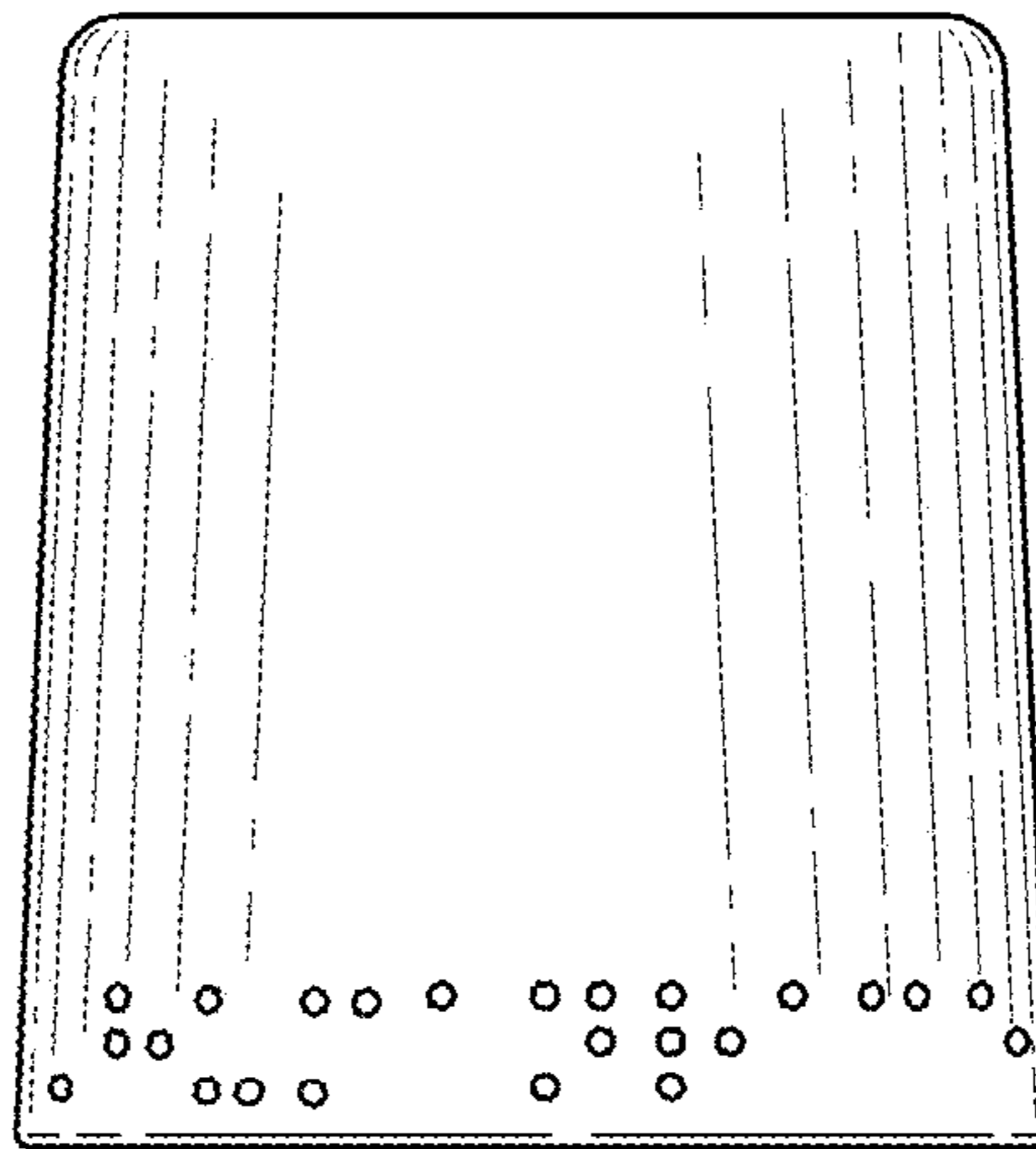


FIG. 4

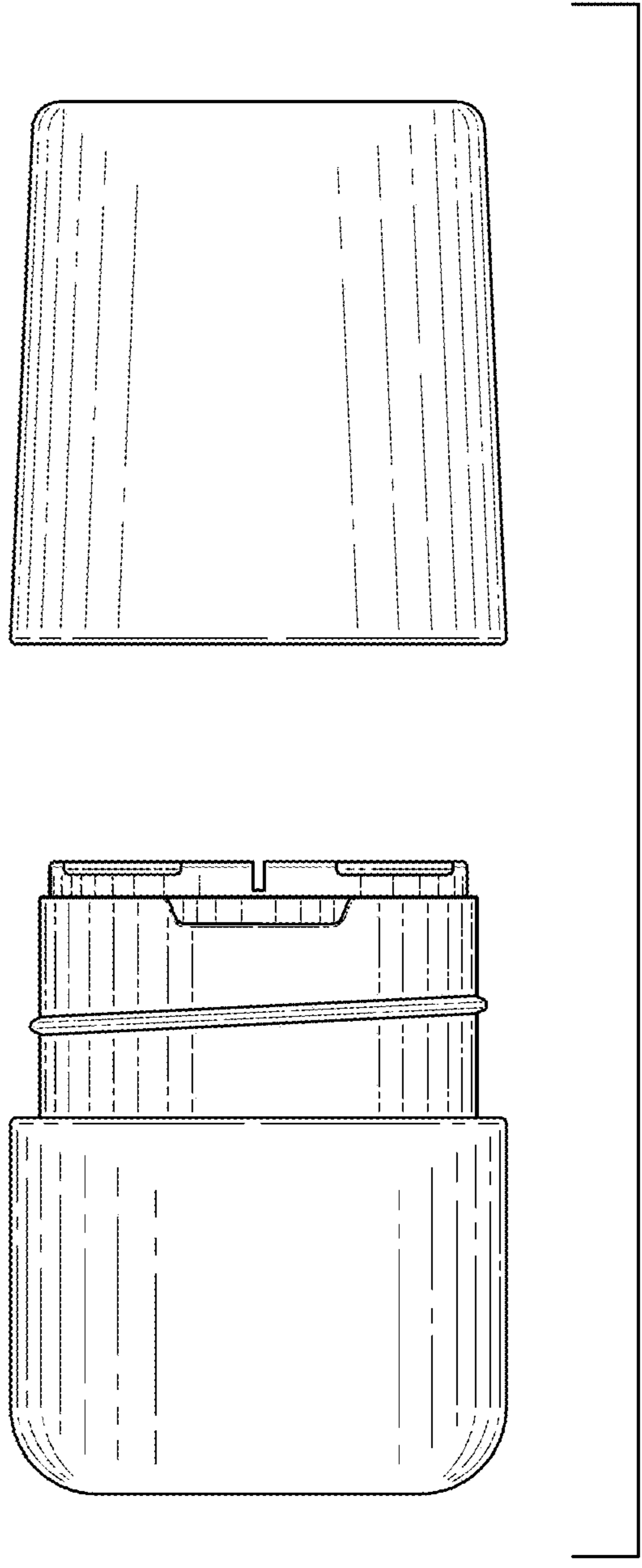


FIG. 5

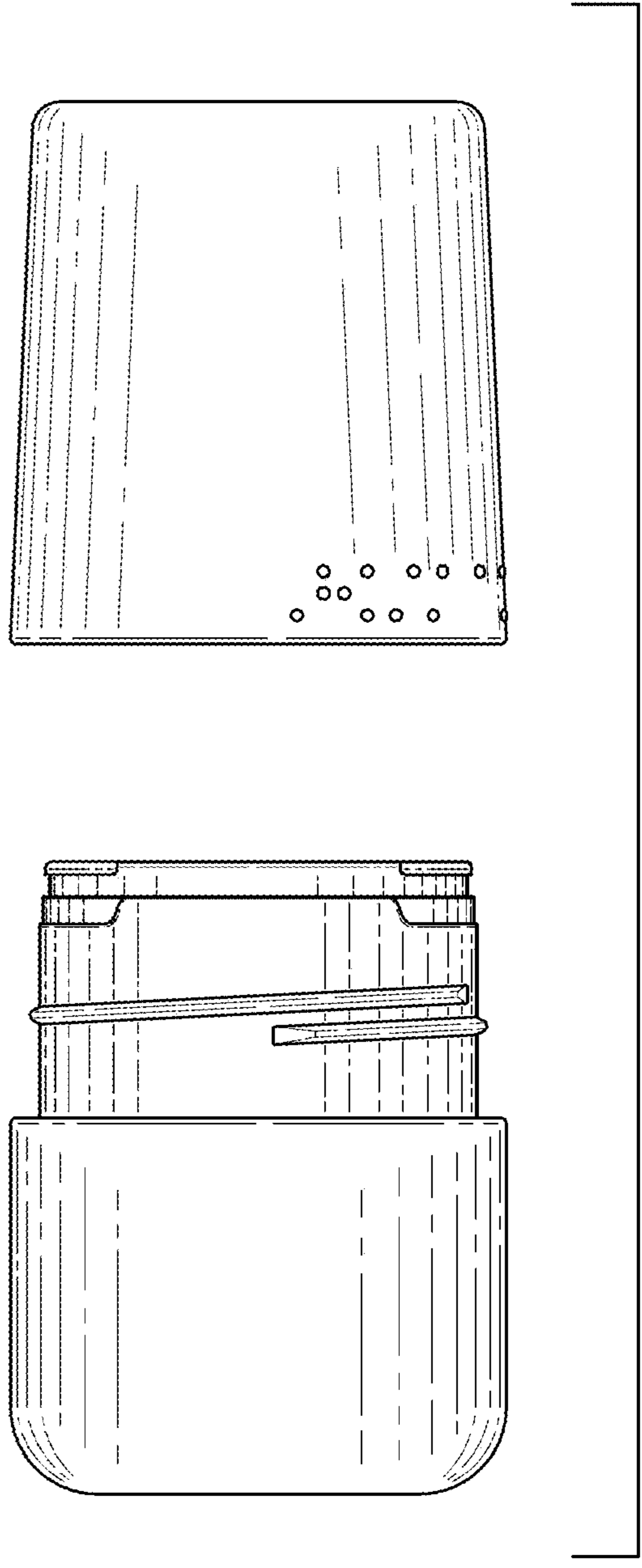


FIG. 6

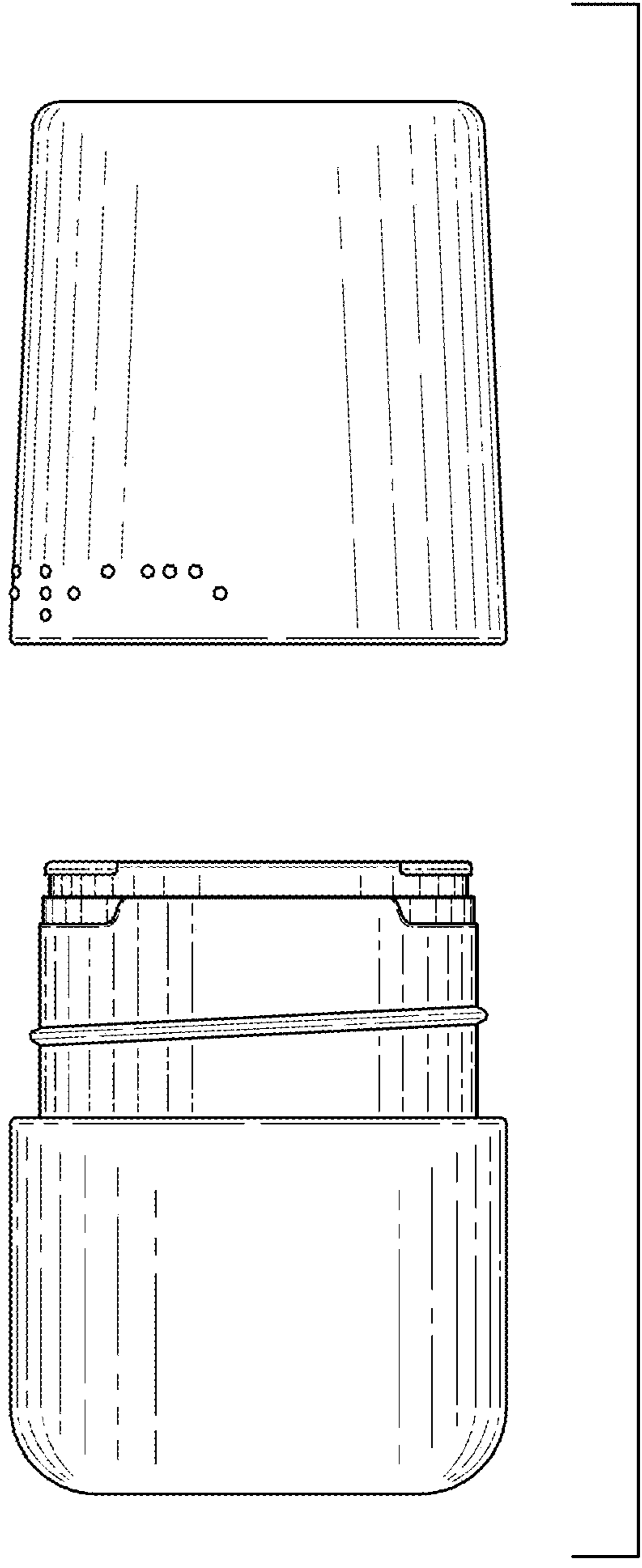


FIG. 7

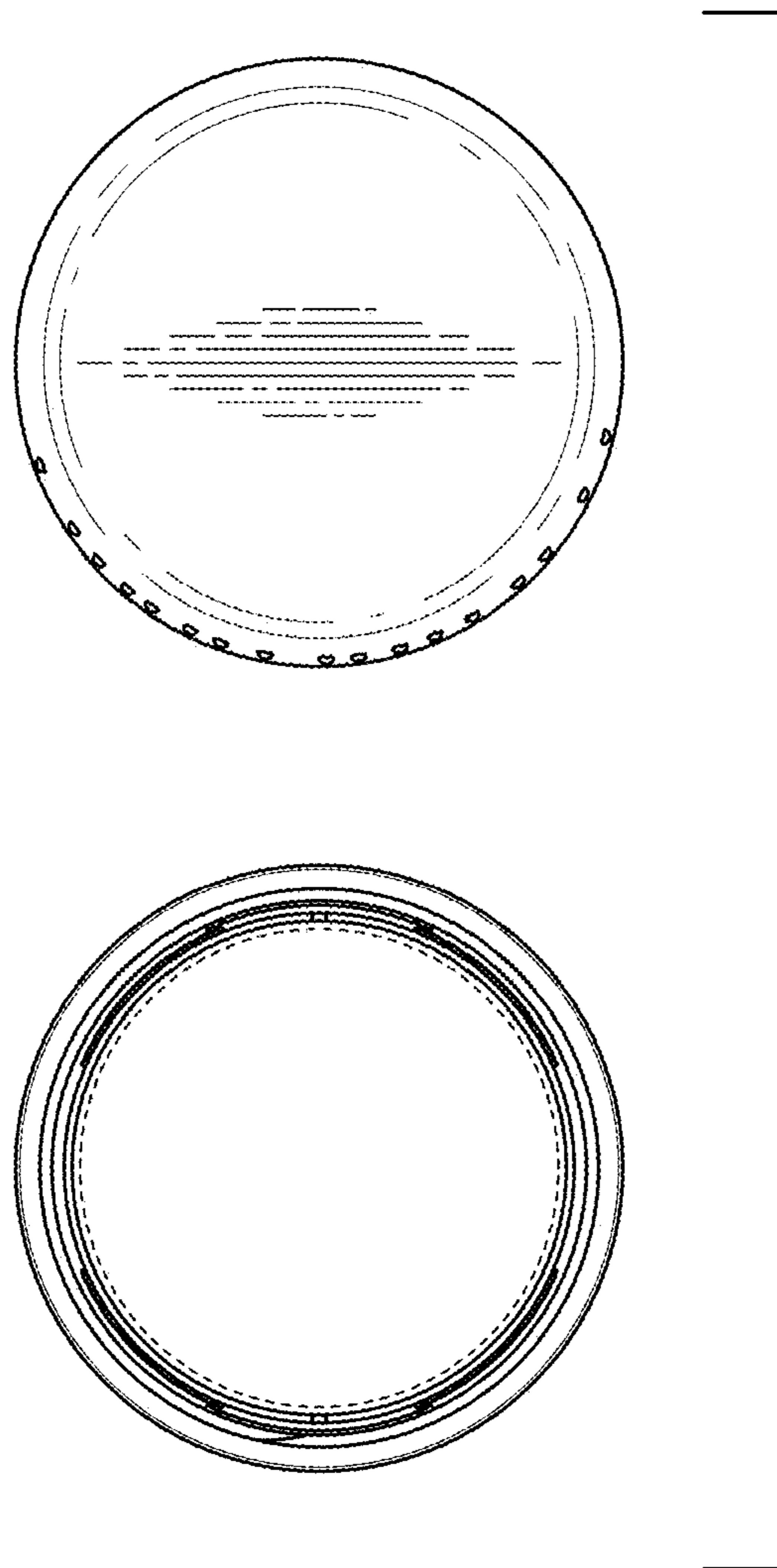


FIG. 8

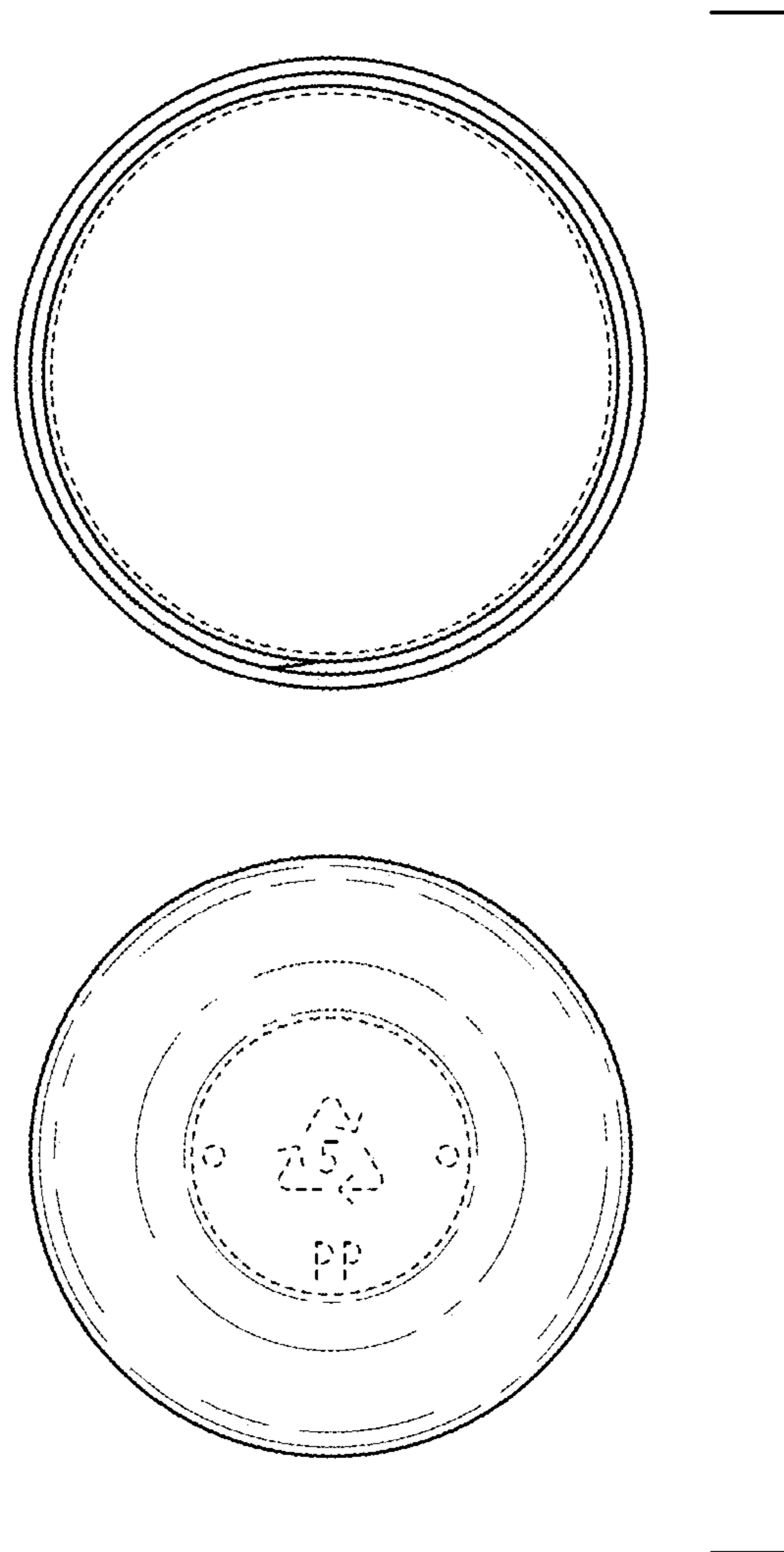


FIG. 9

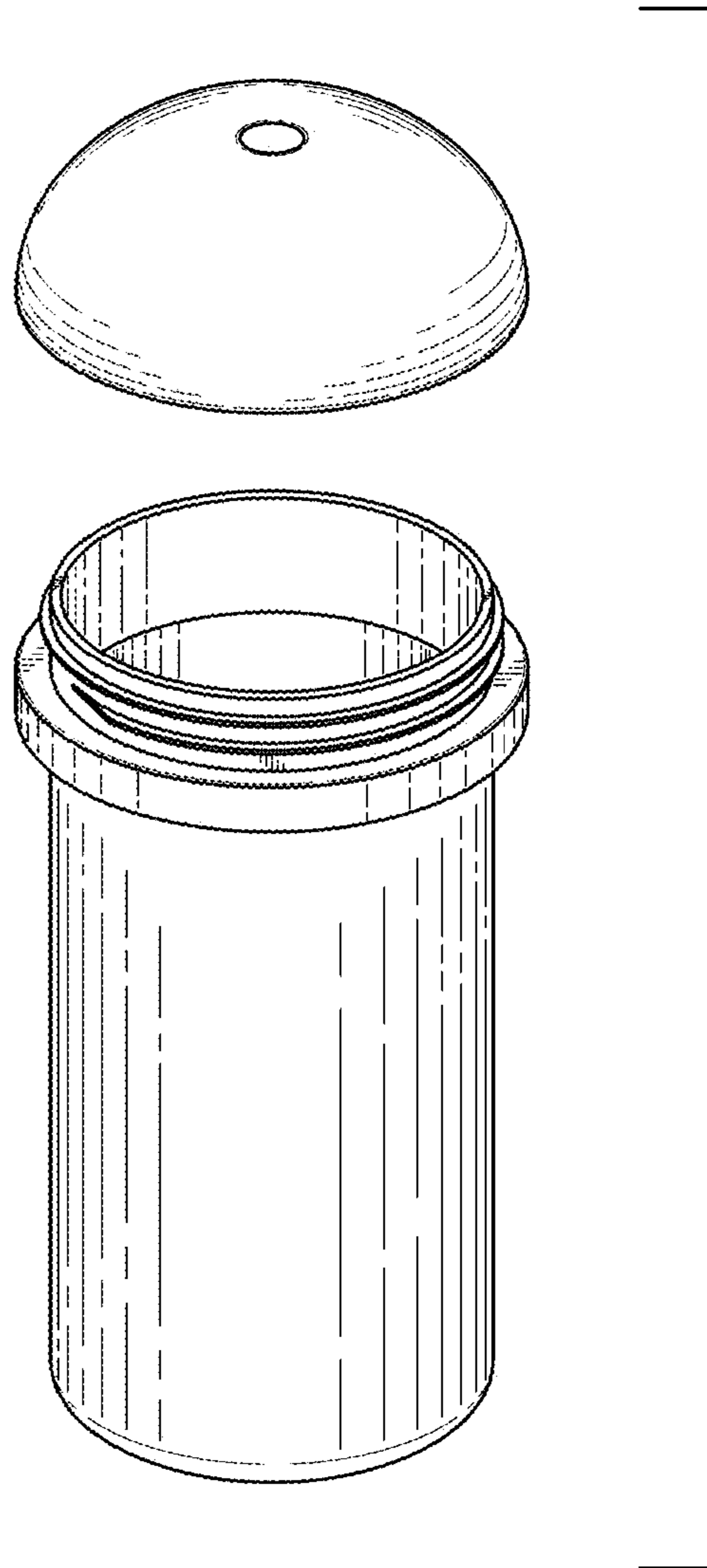


FIG. 10

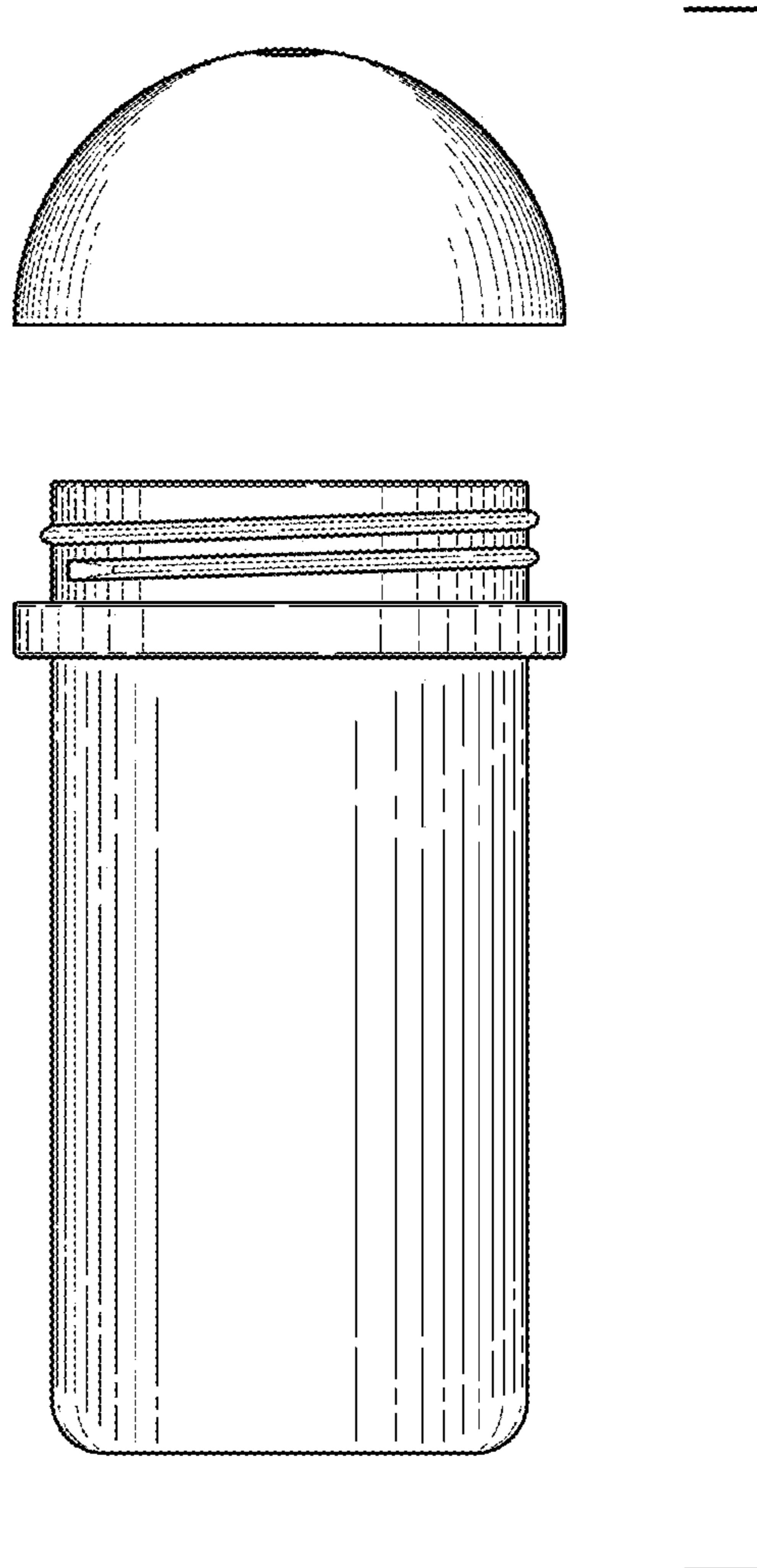


FIG. 11

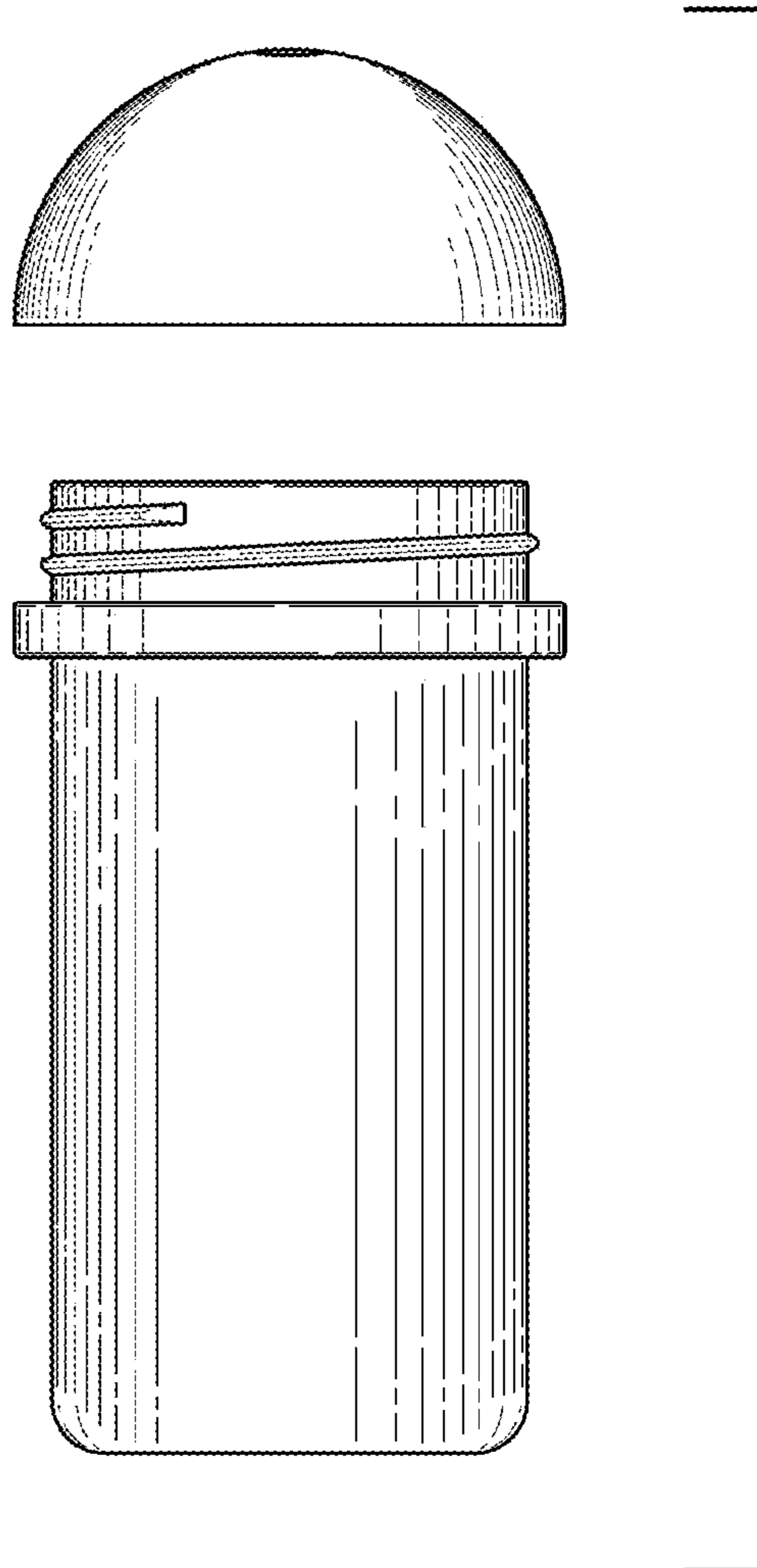


FIG. 12

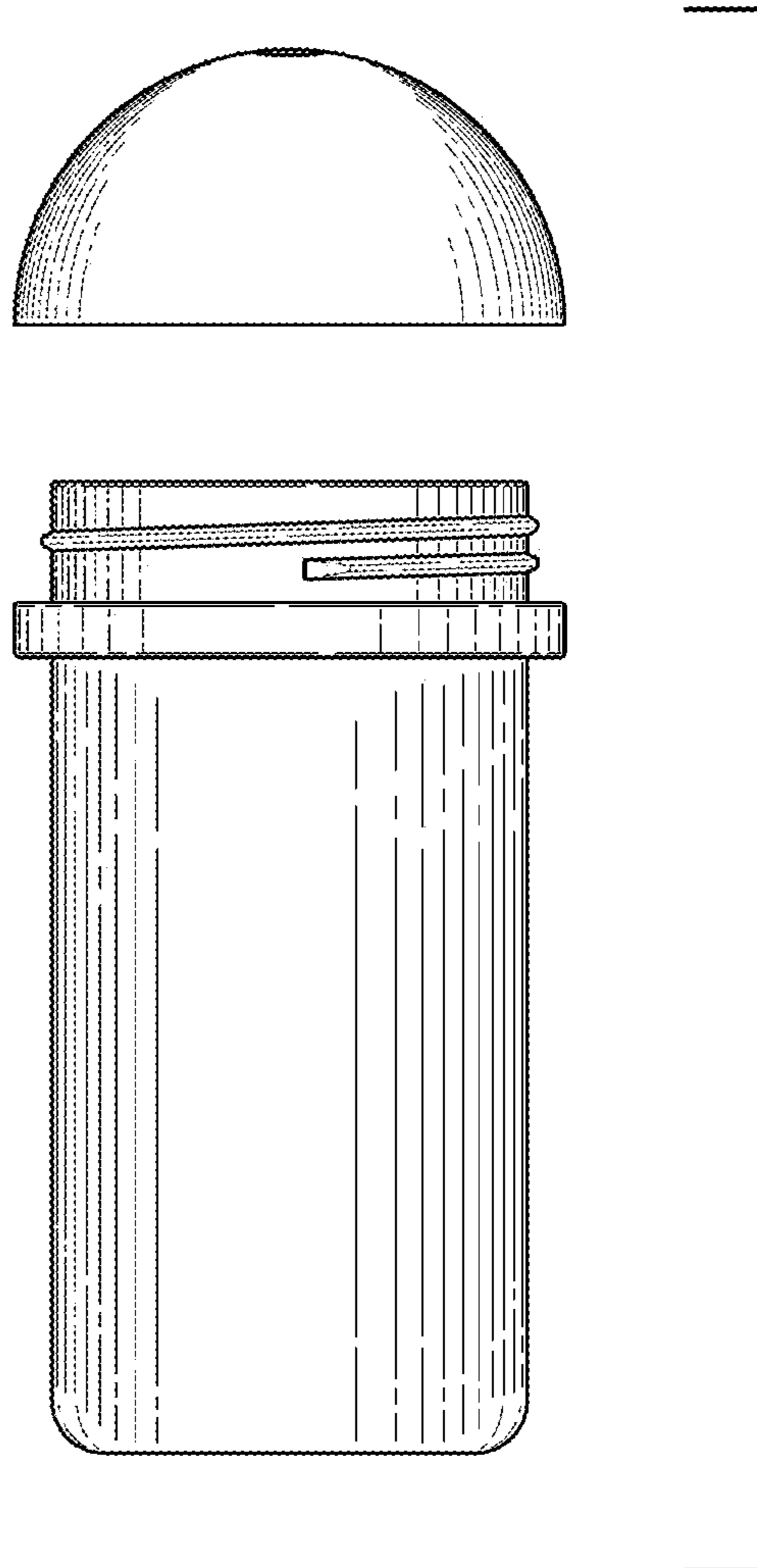


FIG. 13

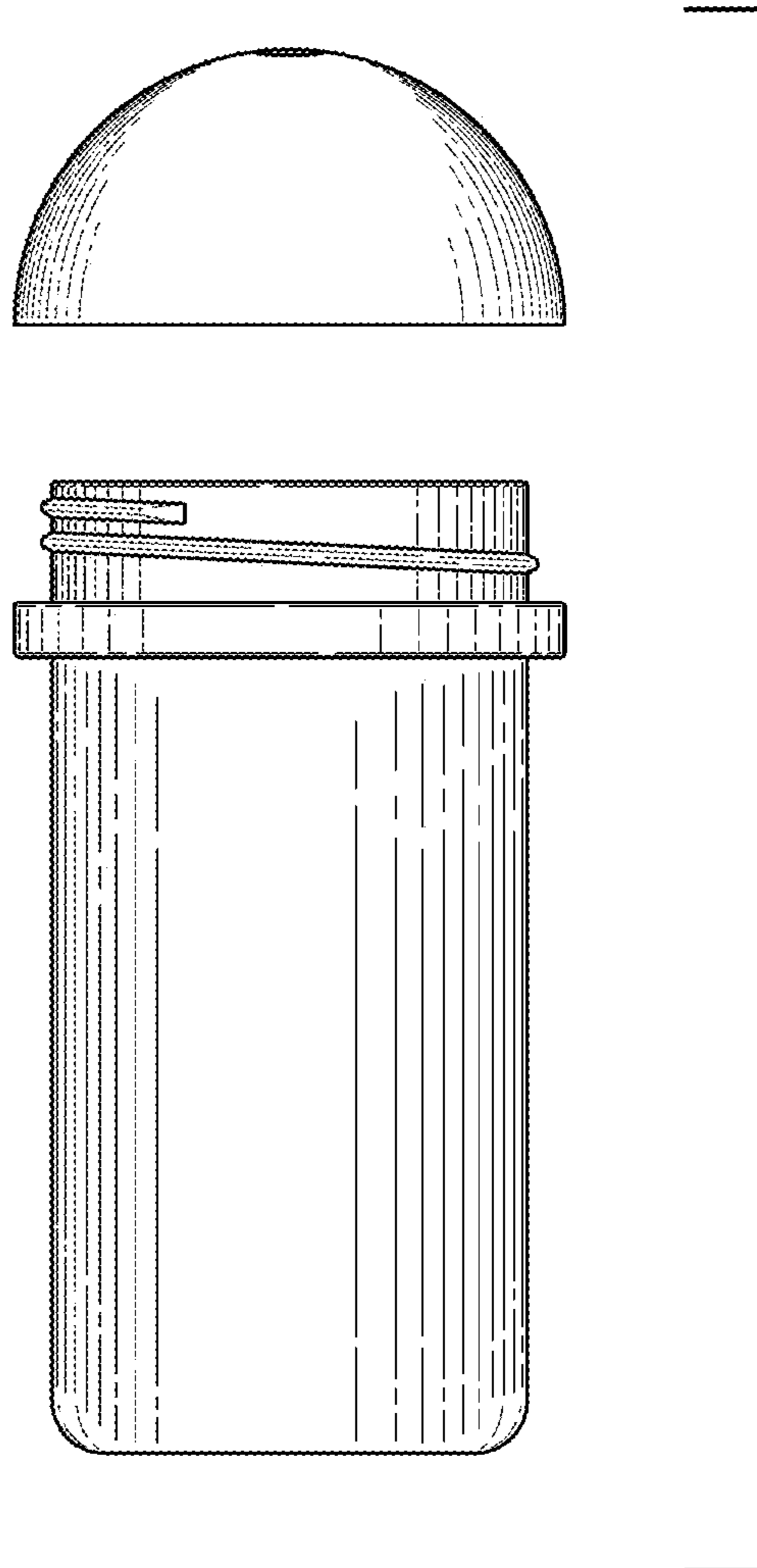


FIG. 14

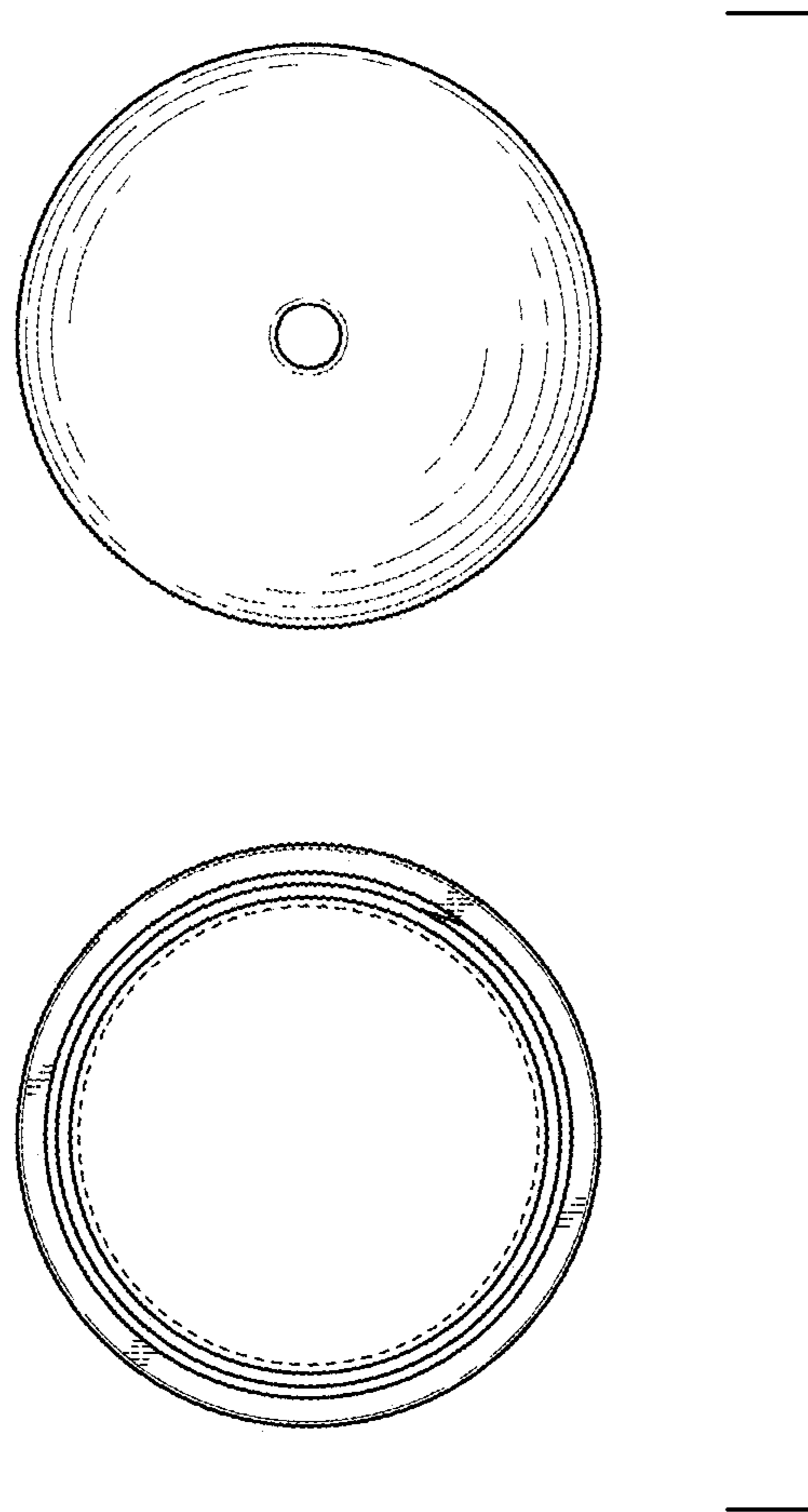


FIG. 15

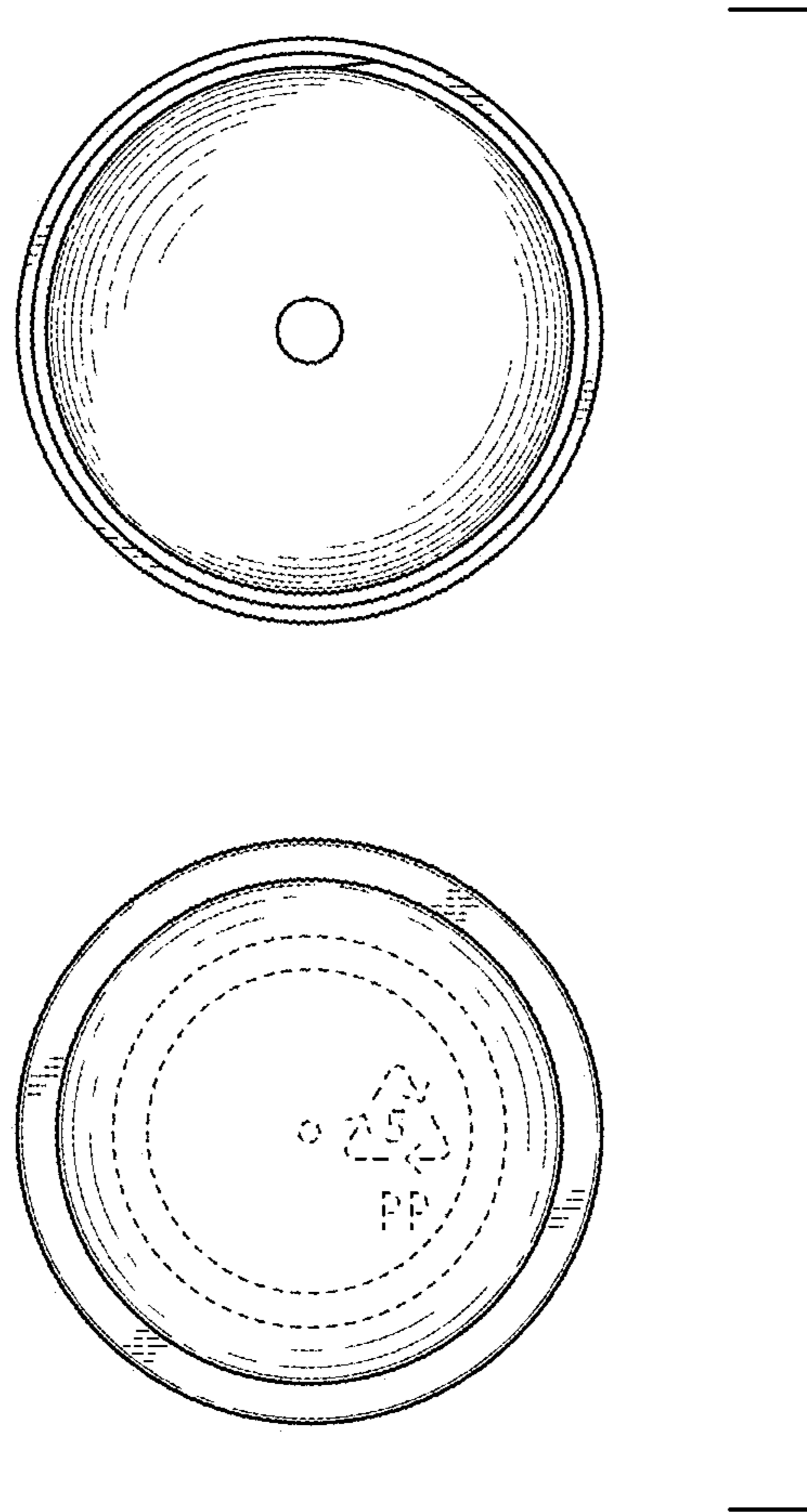


FIG. 16