



US00D968222S

(12) **United States Design Patent** (10) **Patent No.:** **US D968,222 S**
Sabherwal et al. (45) **Date of Patent:** **** Nov. 1, 2022**

(54) **TAMPER-PROOF CONTAINER**

Primary Examiner — Brett Miller
Assistant Examiner — Rani J Abdallah
(74) *Attorney, Agent, or Firm* — Glaxosmithkline

(71) Applicant: **GSK Consumer Healthcare S.A.**,
Prangins (CH)
(72) Inventors: **Amit Sabherwal**, Warren, NJ (US);
Malgorzata Rozwadowska, Prangins
(CH); **Paola Bernasconi Lecoultre**,
Prangins (CH); **Bradley Robert Athay**,
Prangins (CH)

(57) **CLAIM**

We claim the ornamental design for a tamper-proof container, as shown and described.

(73) Assignee: **GSK CONSUMER HEALTHCARE SARL**, Prangins (CH)

DESCRIPTION

(**) Term: **15 Years**
(21) Appl. No.: **29/715,727**
(22) Filed: **Dec. 4, 2019**
(51) **LOC (13) Cl.** **09-01**
(52) **U.S. Cl.**
USPC **D9/503; D9/549**
(58) **Field of Classification Search**
USPC D9/500–505, 529, 547, 548, 549, 550,
D9/556, 557, 558, 573, 575, 428, 445,
D9/518, 551, 563, 564, 520; D3/203.2
CPC .. B65D 1/0223; B65D 83/205; B65D 1/0246;
A45D 34/045
See application file for complete search history.

FIG. 1 is a perspective view of a first embodiment of a tamper-proof container;
FIG. 2 is a front view of the first embodiment of the tamper-proof container;
FIG. 3 is a back view of the first embodiment of the tamper-proof container;
FIG. 4 is a right side view of the first embodiment of the tamper-proof container;
FIG. 5 is a left side view of the first embodiment of the tamper-proof container;
FIG. 6 is a top view of the first embodiment of the tamper-proof container;
FIG. 7 is a bottom view of the first embodiment of the tamper-proof container;
FIG. 8 is a perspective view of a second embodiment of a tamper-proof container;
FIG. 9 is a front view of the second embodiment of the tamper-proof container;
FIG. 10 is a back view of the second embodiment of the tamper-proof container;
FIG. 11 is a right side view of the second embodiment of the tamper-proof container;
FIG. 12 is a left side view of the second embodiment of the tamper-proof container;
FIG. 13 is a top view of the second embodiment of the tamper-proof container; and,
FIG. 14 is a bottom view of the second embodiment of the tamper-proof container.

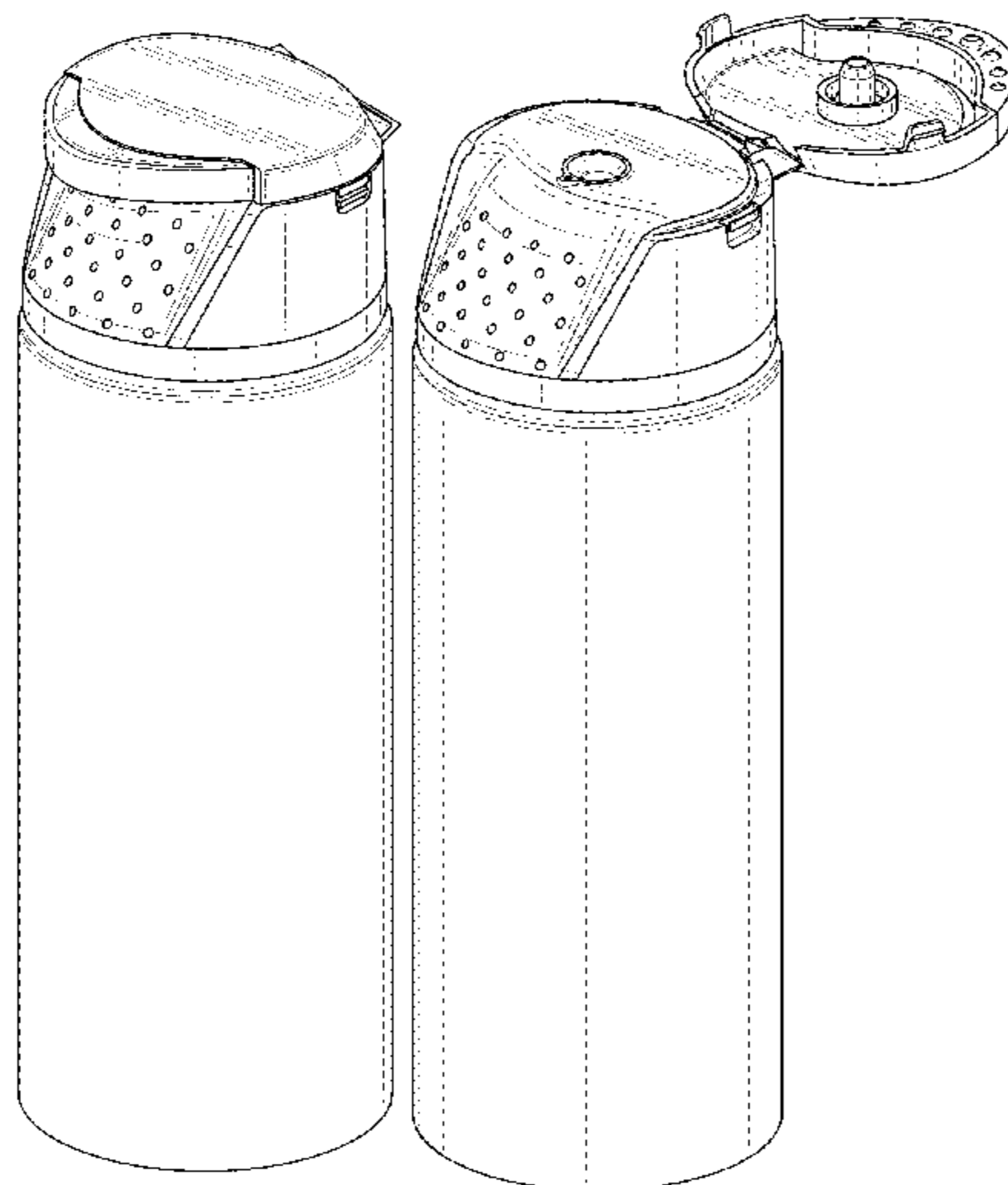
(56) **References Cited**

U.S. PATENT DOCUMENTS

5,027,982 A * 7/1991 Demarest B65D 83/205
222/402.11
D438,799 S * 3/2001 Anderson D9/449
D515,425 S * 2/2006 King D9/504
D580,755 S * 11/2008 Campbell D9/445
D635,858 S * 4/2011 Simmons D9/503
D649,055 S * 11/2011 Fracasso D9/503
D681,458 S * 5/2013 Santarelli D9/449
D693,223 S * 11/2013 Walter D9/504
D749,951 S * 2/2016 Sims D9/503
D808,809 S * 1/2018 Krafft D9/504

(Continued)

1 Claim, 14 Drawing Sheets



(56)

References Cited

U.S. PATENT DOCUMENTS

9,884,706 B1 * 2/2018 Skillin B65D 47/40
D859,153 S * 9/2019 Ramsuer D9/449
D859,154 S * 9/2019 Skillin D9/449
D867,140 S * 11/2019 Levy D9/449
D885,895 S * 6/2020 Berroa García D9/449
D913,101 S * 3/2021 Boehm D9/575
D914,514 S * 3/2021 Wintroub D9/503
D920,805 S * 6/2021 Hawry D9/504
2016/0375452 A1 * 12/2016 Skillin B65D 47/0833
222/207
2020/0339317 A1 * 10/2020 French B65D 50/043

* cited by examiner

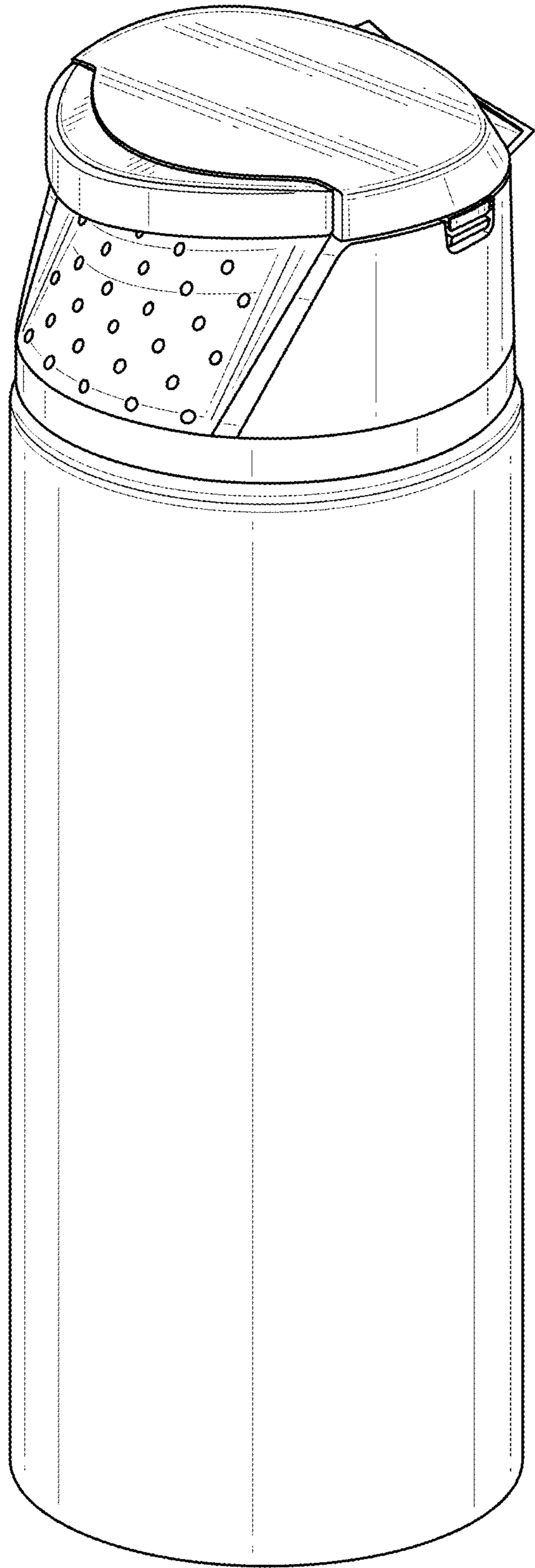


FIG. 1

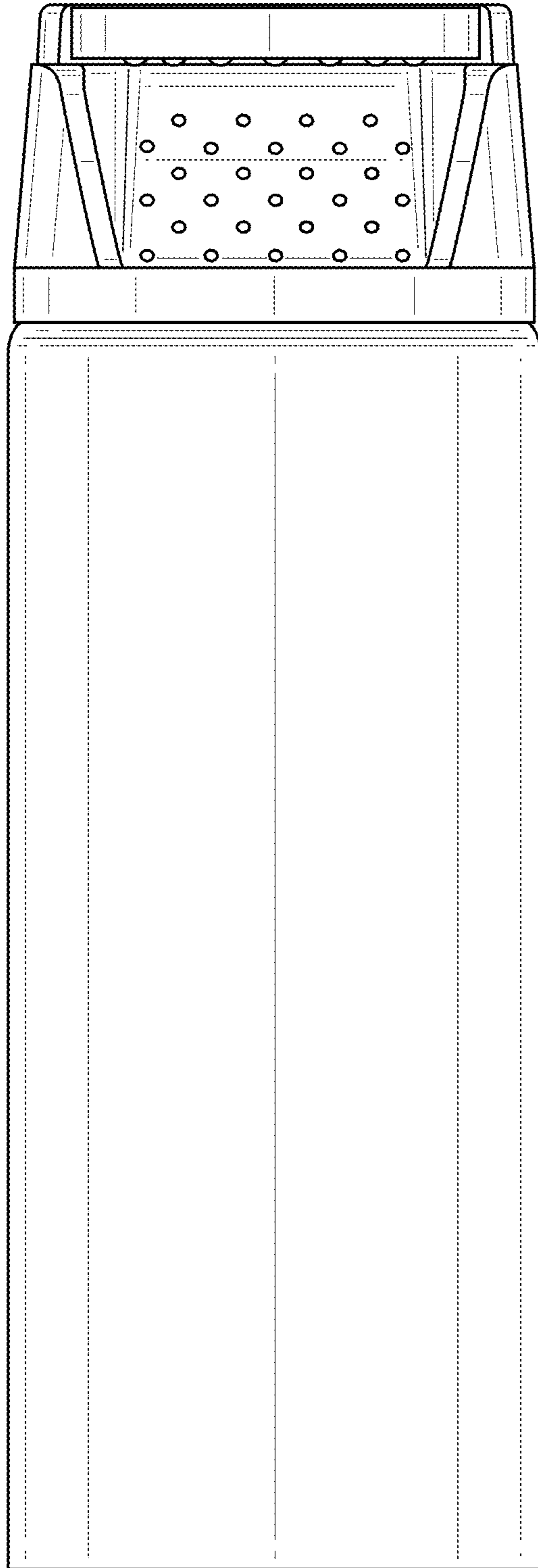


FIG. 2

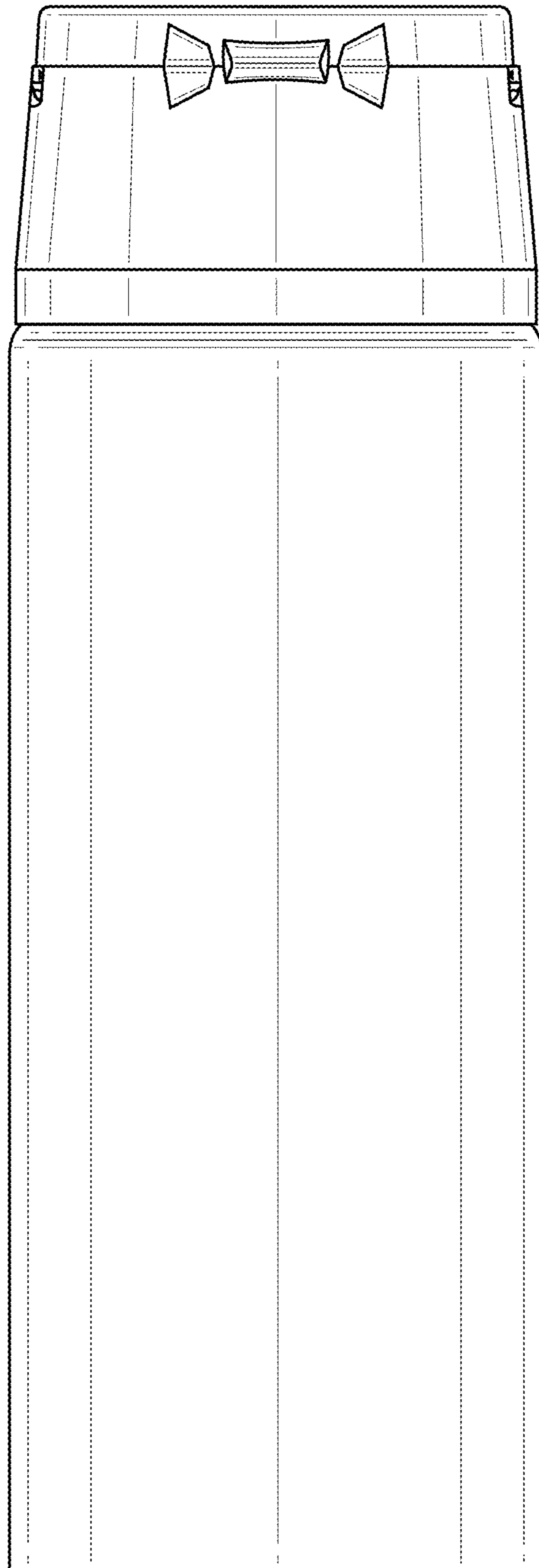


FIG. 3

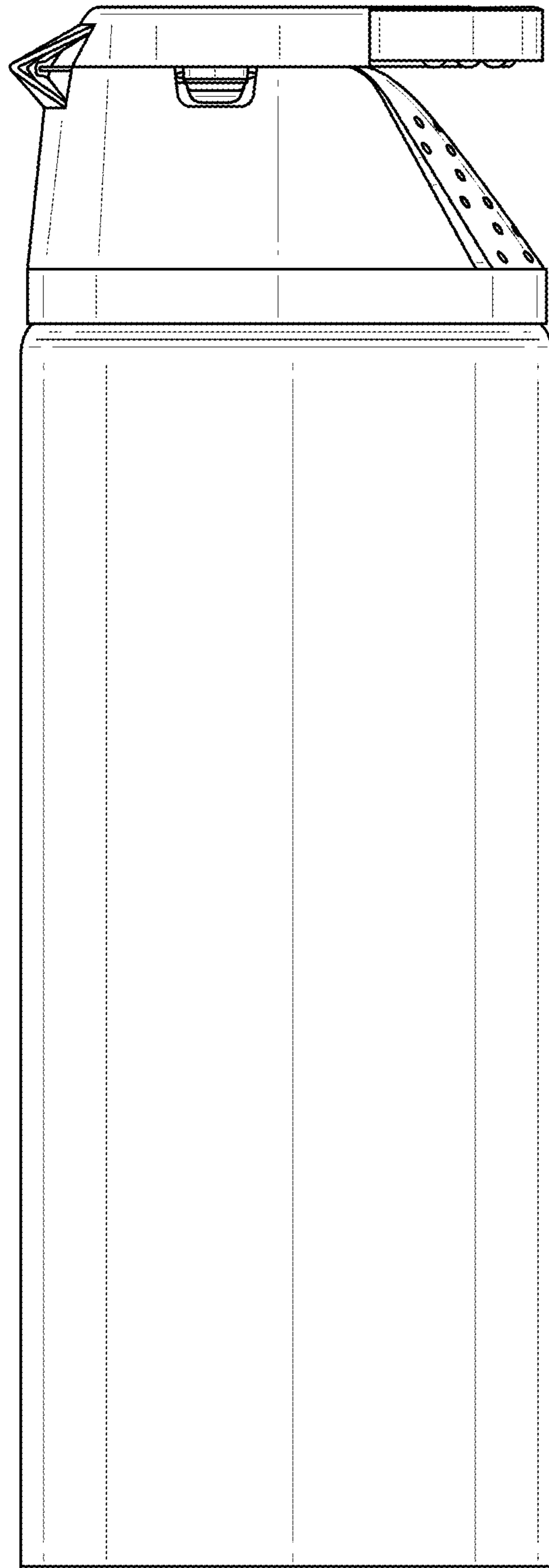


FIG. 4

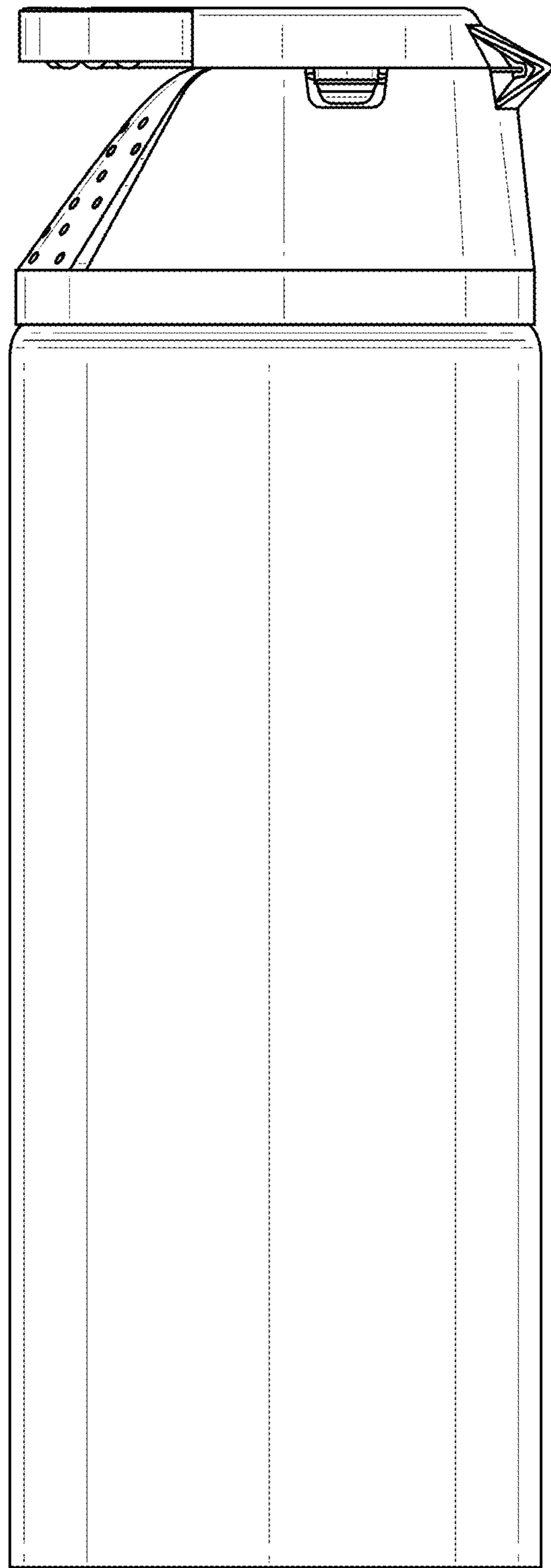


FIG. 5

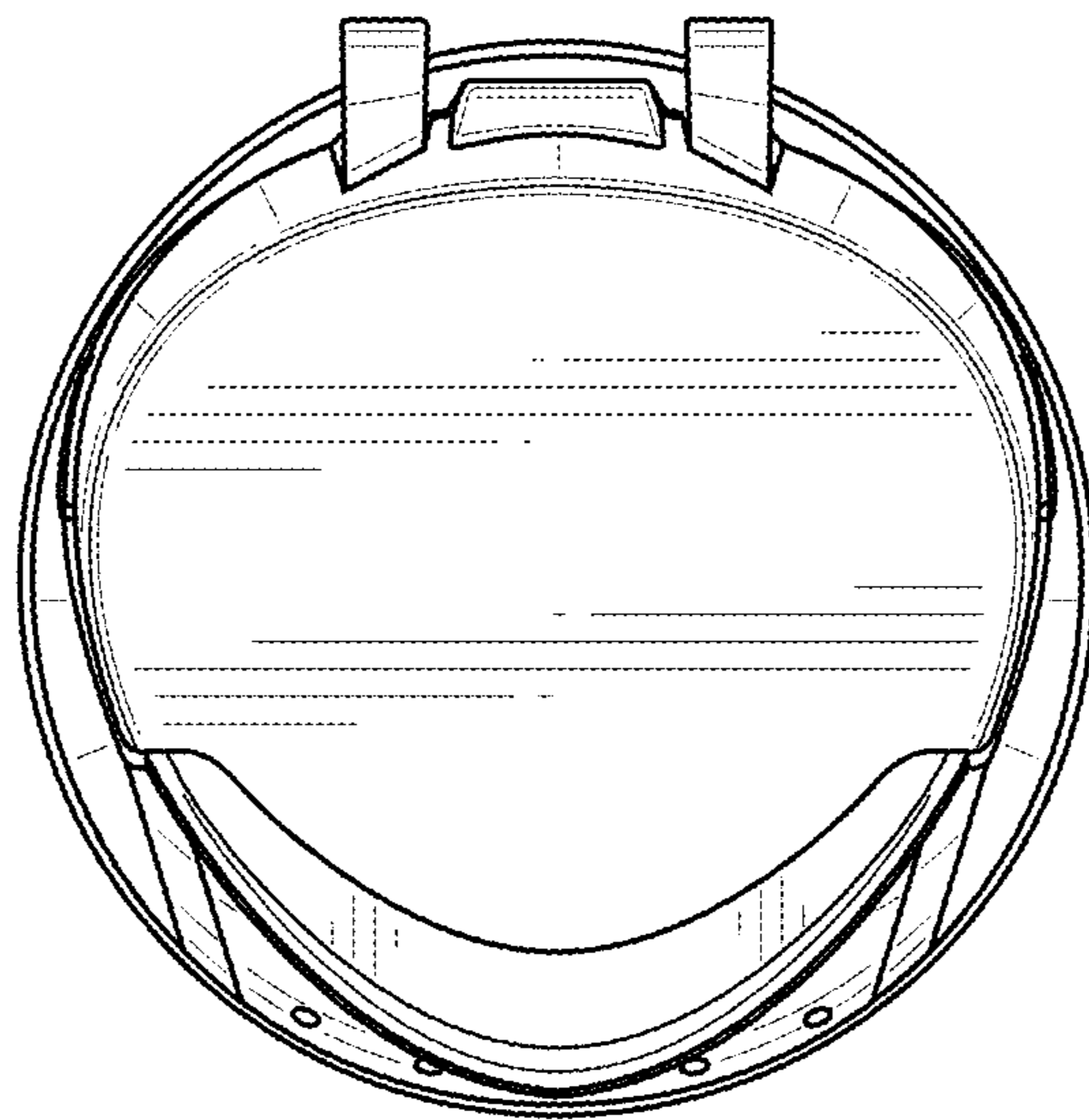


FIG. 6

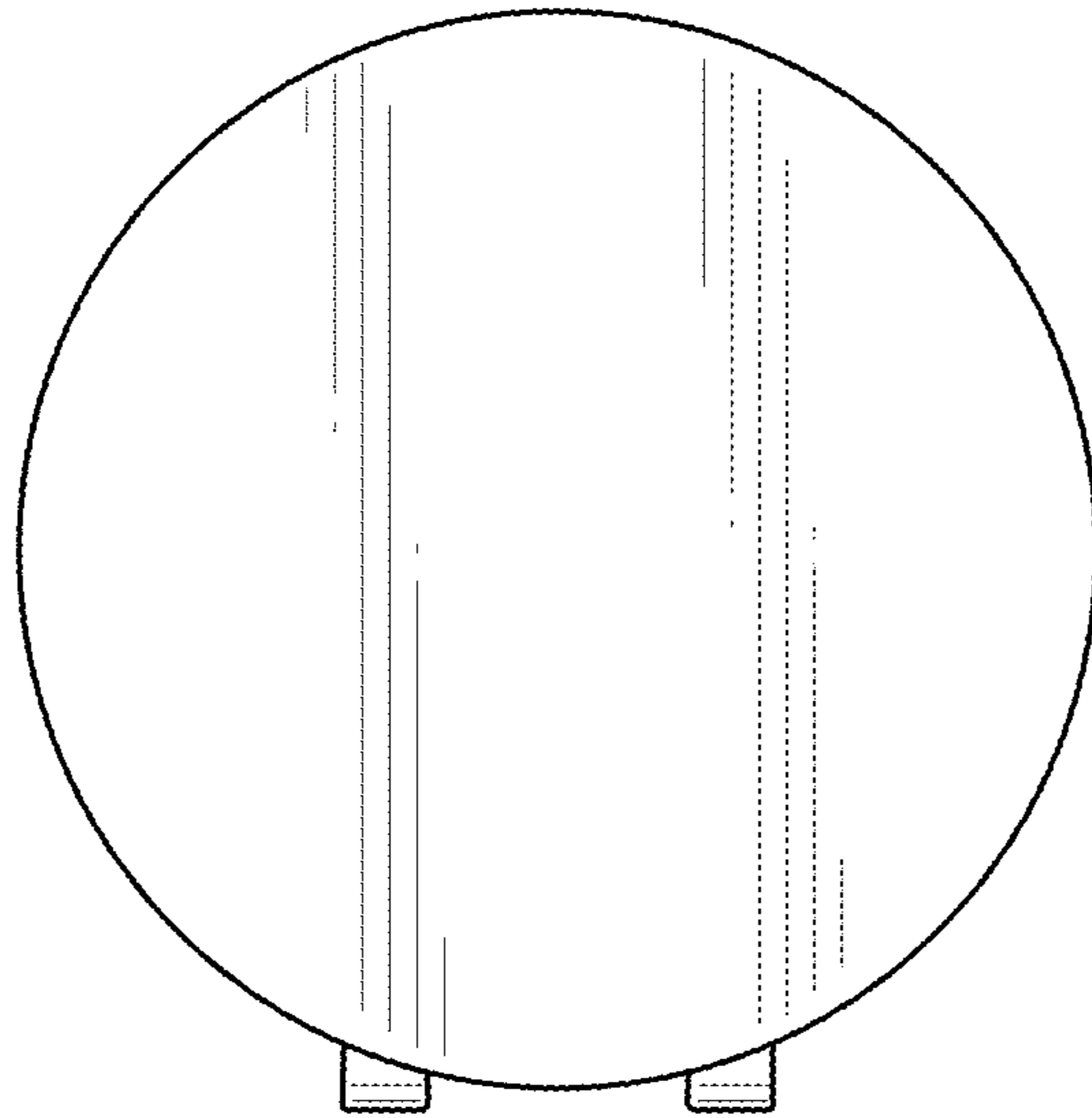


FIG. 7

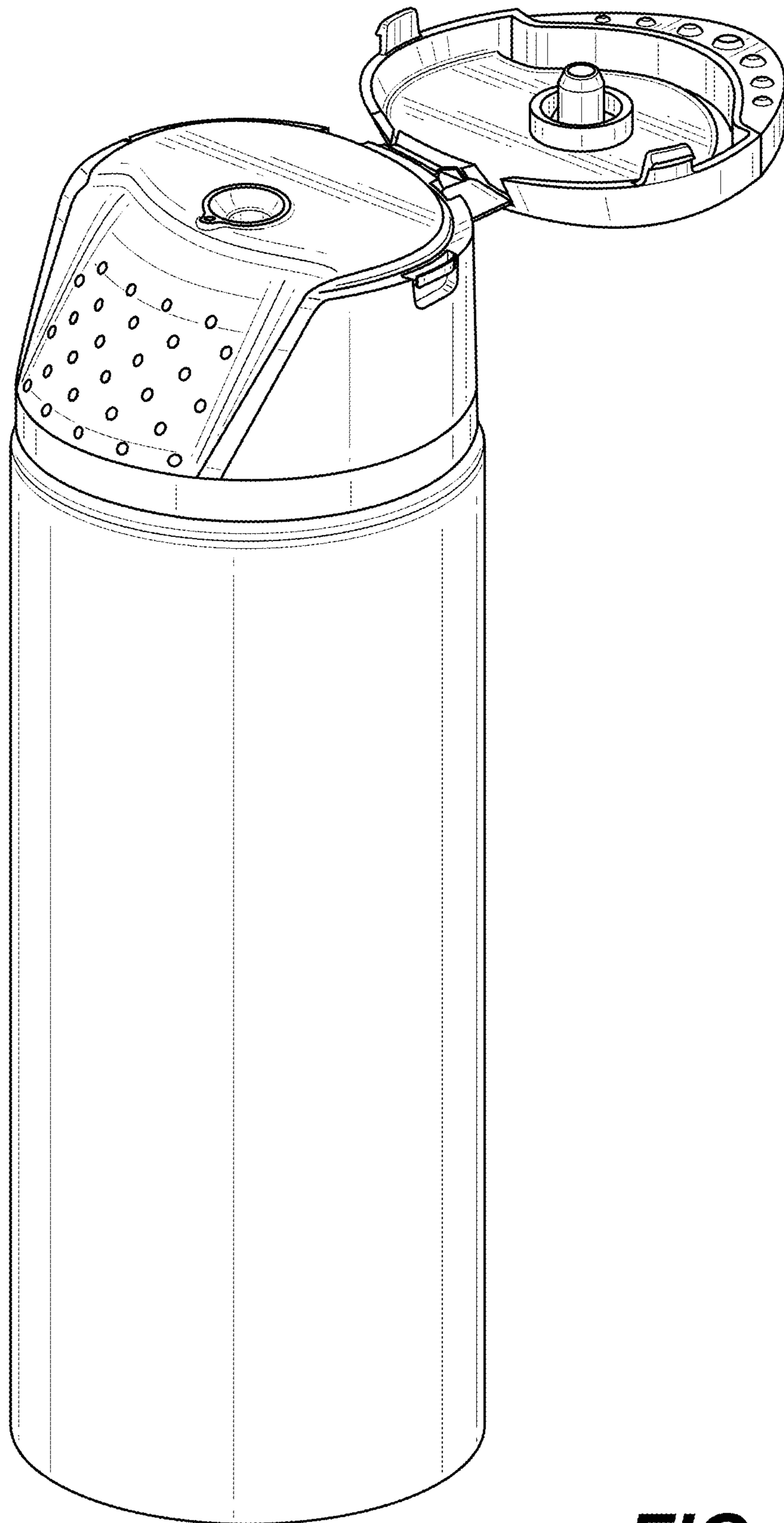


FIG. 8

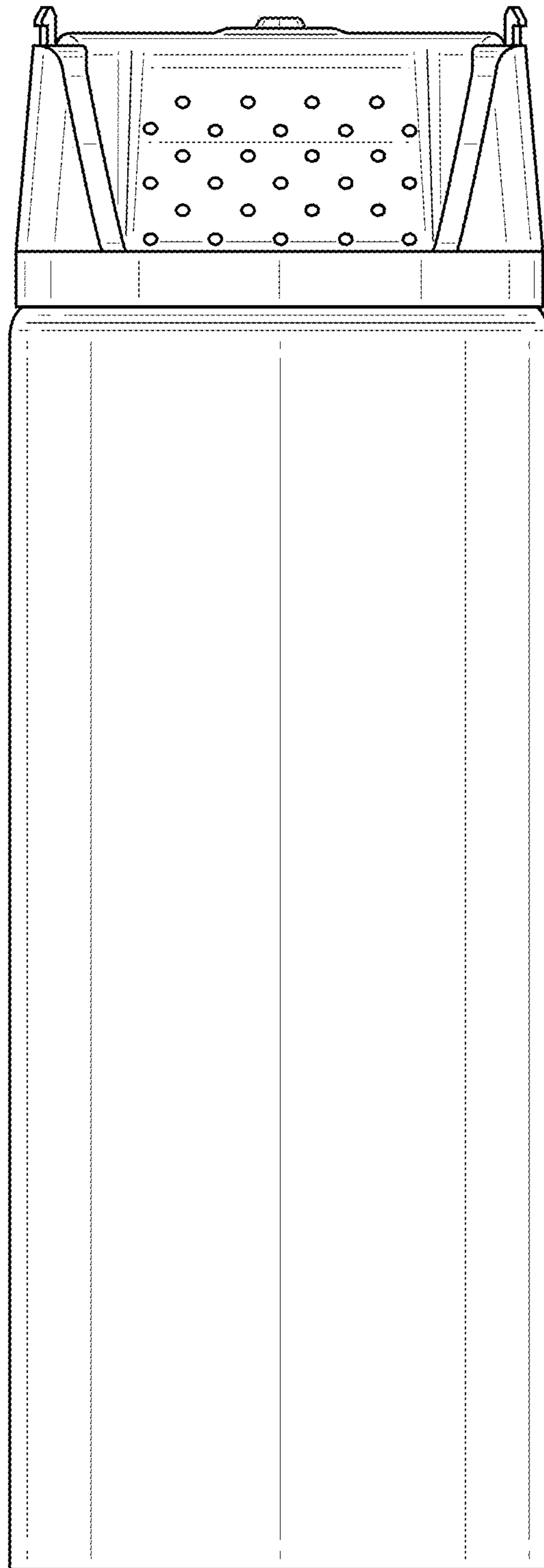


FIG. 9

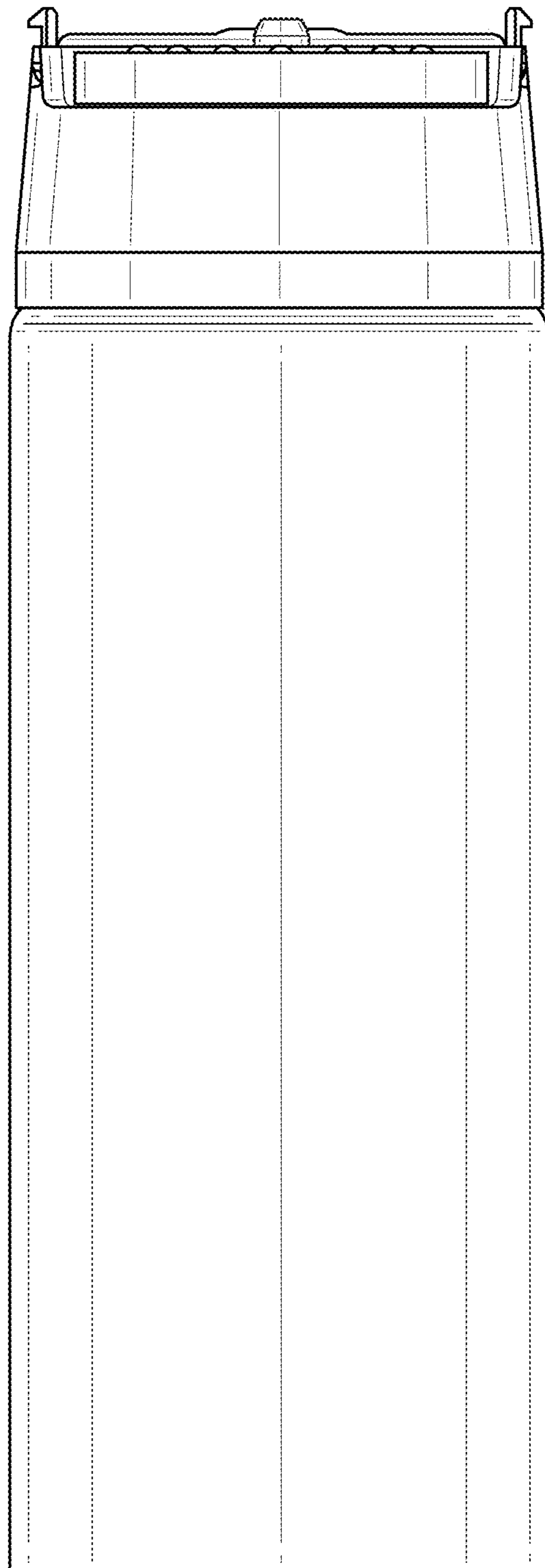


FIG. 10

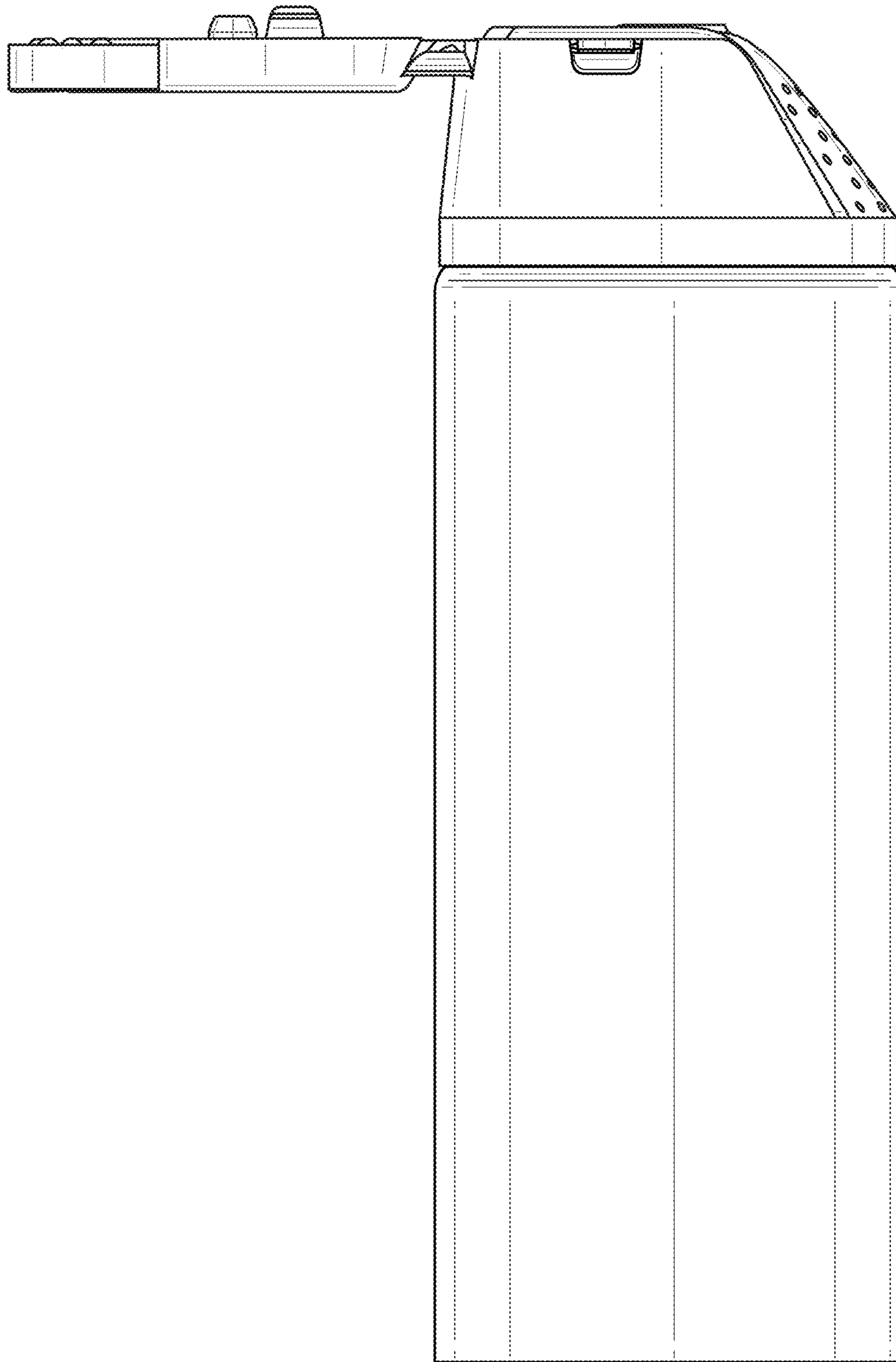


FIG. 11

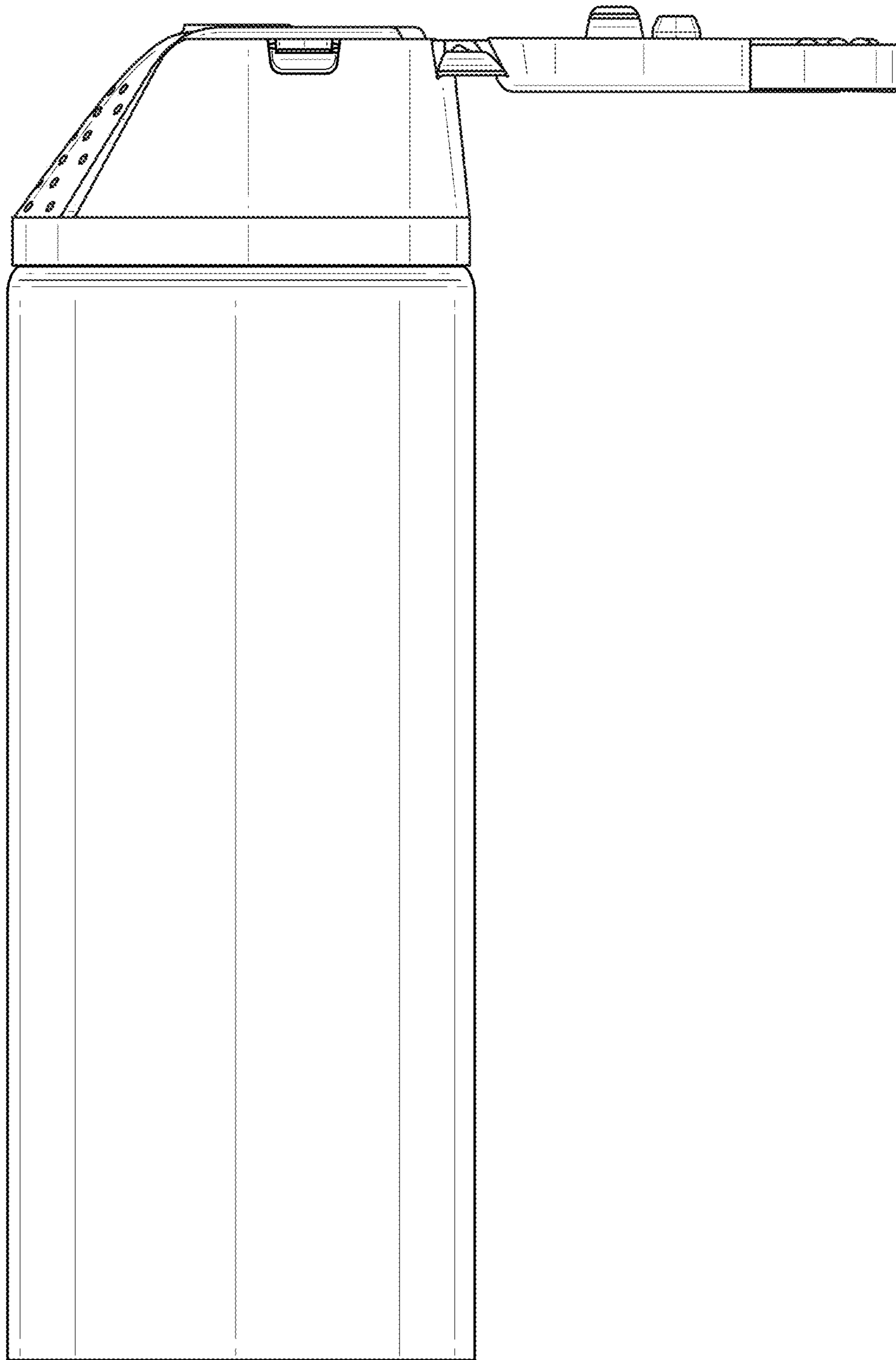


FIG. 12

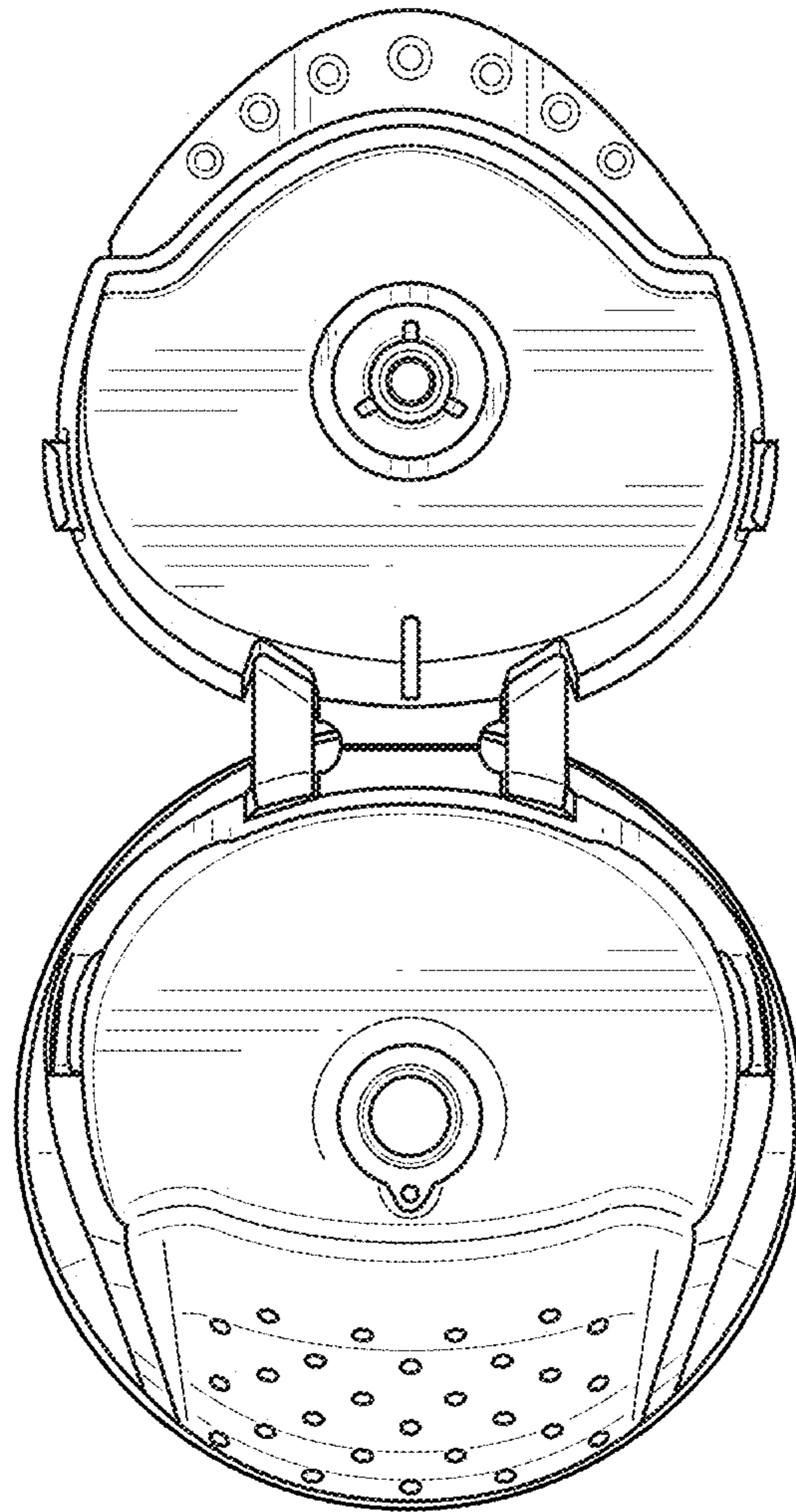


FIG. 13

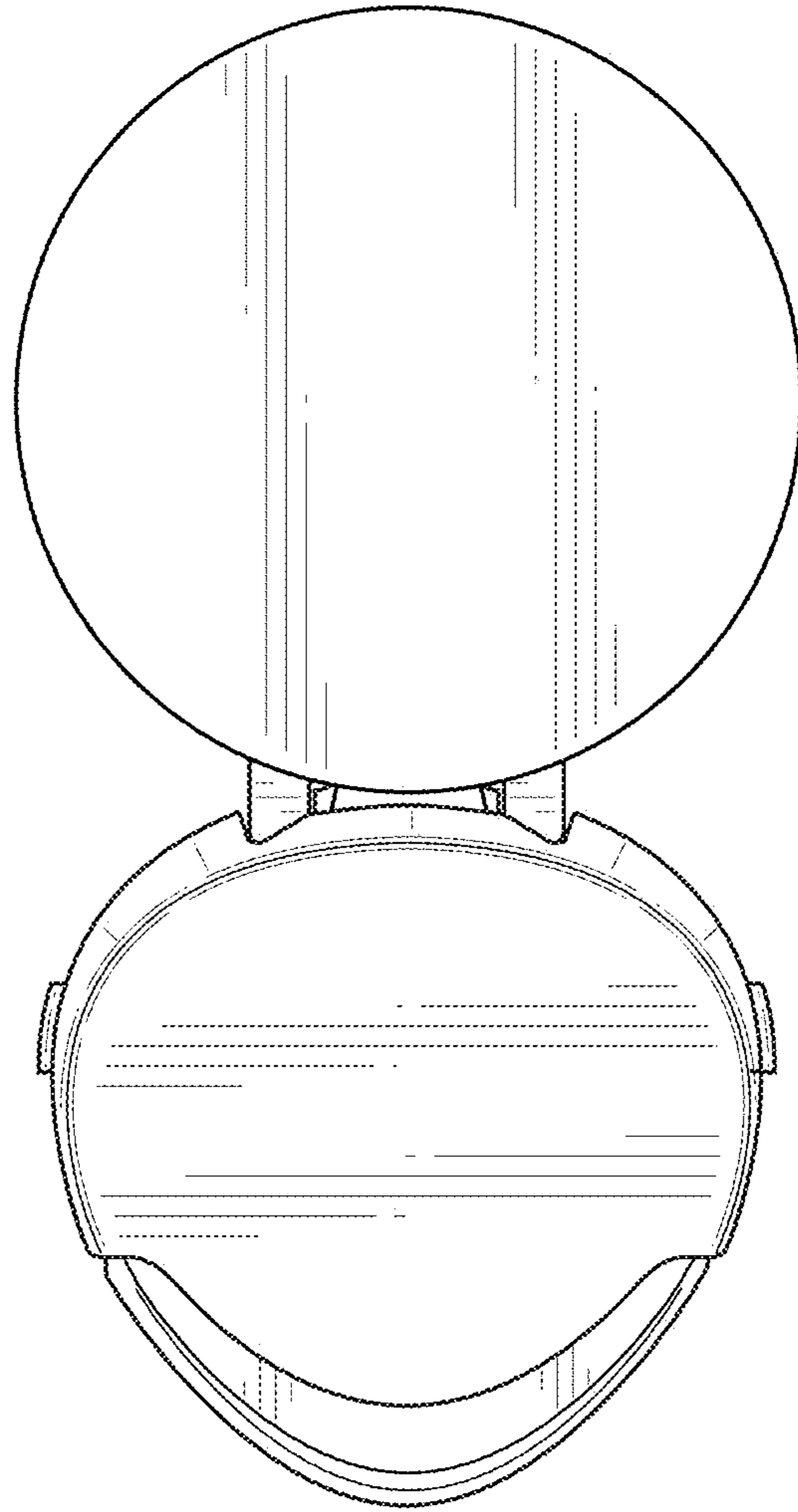


FIG. 14