



US00D968219S

(12) **United States Design Patent**
Borrero et al.

(10) **Patent No.:** **US D968,219 S**
(45) **Date of Patent:** **** Nov. 1, 2022**

- (54) **PACKAGE**
- (71) Applicant: **The Procter & Gamble Company**, Cincinnati, OH (US)
- (72) Inventors: **Susana E Borrero**, Mason, OH (US); **Benjamin G Hesford**, Hamilton, OH (US); **Anthony Ogg**, West Chester Township, OH (US); **Jun You**, West Chester, OH (US); **Jason M Earl**, Milford, OH (US)
- (73) Assignee: **The Procter & Gamble Company**, Cincinnati, OH (US)

4,551,379	A *	11/1985	Kerr	B31D 5/0073
					428/200
5,348,157	A *	9/1994	Pozzo	B65D 81/052
					206/522
D361,846	S	8/1995	Tekannon		
5,588,533	A *	12/1996	Farison	B65D 81/052
					206/522
D384,585	S	10/1997	Swarr		
6,410,119	B1 *	6/2002	De Luca	B31D 5/0073
					206/522
D480,646	S *	10/2003	Borchard	D9/456
D480,971	S *	10/2003	DeLuca	D9/456
D490,711	S *	6/2004	DeLuca	D9/456
D512,311	S *	12/2005	DeLuca	D9/456
D513,182	S *	12/2005	DeLuca	D9/456
D584,621	S	1/2009	Jean		

(Continued)

(**) Term: **15 Years**

- (21) Appl. No.: **29/711,292**
- (22) Filed: **Oct. 30, 2019**
- (51) **LOC (13) Cl.** **09-07**
- (52) **U.S. Cl.**
USPC **D9/456**
- (58) **Field of Classification Search**
USPC D9/414, 416, 419, 434, 455, 456, 457, D9/499, 501, 517, 739; D6/512, 513; D19/32, 75, 91, 102, 113, 114; D20/19; D3/318, 319
CPC A47F 1/00; A47F 3/00; A47F 3/14; A47F 3/142; A47F 5/10; A47F 5/11; A47F 5/112; A47F 5/114; A47F 7/14; A63F 1/10; B42D 5/00; B42D 5/04; B42D 5/043; B65D 5/00; B65D 5/52; B65D 5/5206; G10G 5/00
See application file for complete search history.

- (56) **References Cited**
U.S. PATENT DOCUMENTS
1,457,496 A * 6/1923 Butler B65D 81/052
206/522
4,127,192 A 11/1978 Card

OTHER PUBLICATIONS

All Office Actions; U.S. Appl. No. 29/711,288.

(Continued)

Primary Examiner — Wendy L Arminio

(74) *Attorney, Agent, or Firm* — James E Oehlenschlager; David M Weirich

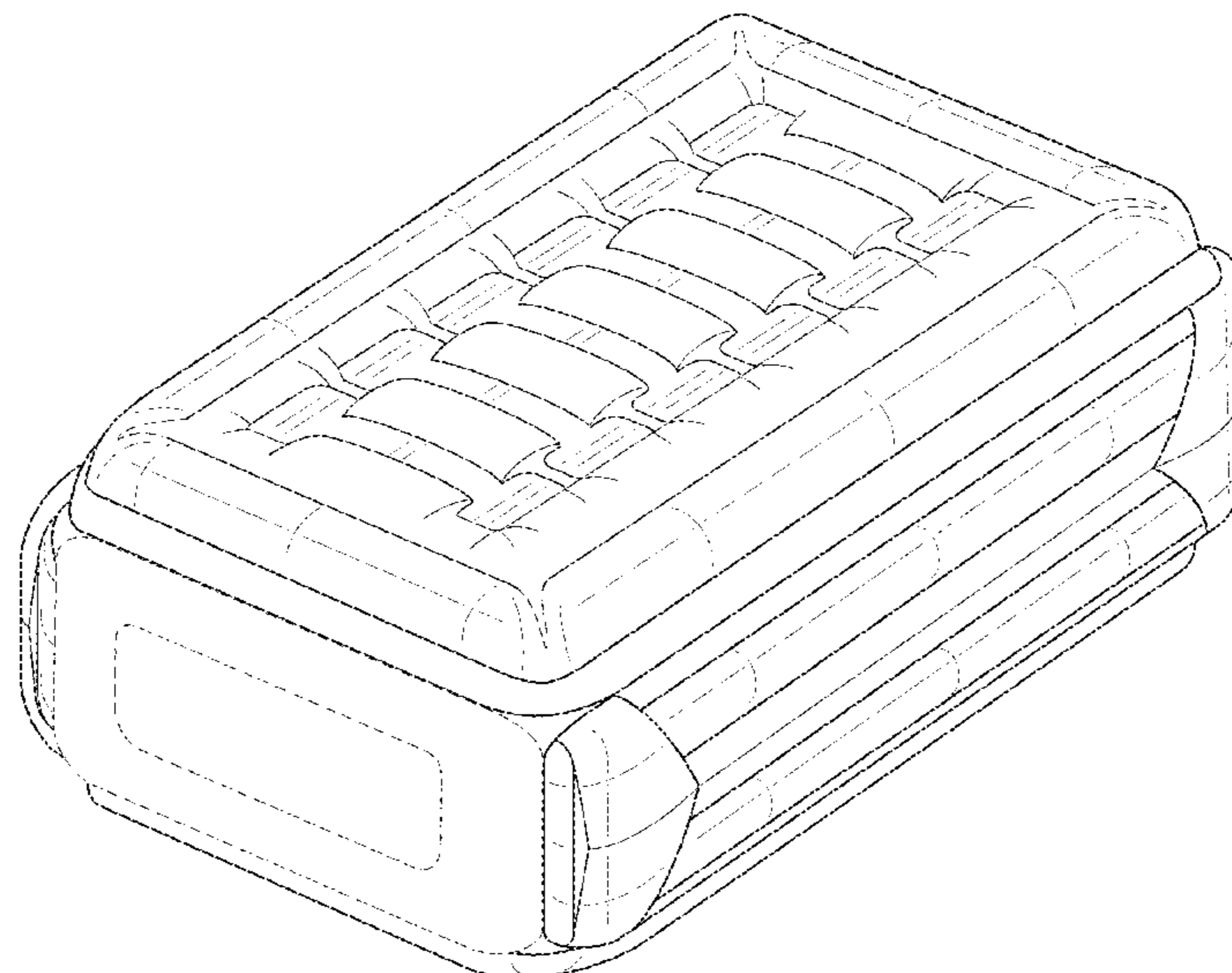
(57) **CLAIM**

The ornamental design for a package, as shown and described.

DESCRIPTION

FIG. 1 is a perspective view of a package; FIG. 2 is a front view of the package; FIG. 3 is a right side view of the package; FIG. 4 is a back view of the package; FIG. 5 is a left side view of the package; FIG. 6 is a top view of the package; and, FIG. 7 is a bottom view of the package. The broken lines depict portions of the package that form no part of the claimed design.

1 Claim, 4 Drawing Sheets



(56)

References Cited

U.S. PATENT DOCUMENTS

8,936,156 B1 * 1/2015 Tschantz B65D 81/052
 206/522
 D761,646 S * 7/2016 Smith D9/414
 D775,956 S 1/2017 Ye et al.
 D798,717 S * 10/2017 Rapp D9/499
 D803,057 S * 11/2017 Malone D9/456
 11,104,486 B2 * 8/2021 Yamamoto B65D 33/24
 2014/0348445 A1 * 11/2014 Siesto Casanova ... B65D 75/30
 383/99
 2017/0021990 A1 * 1/2017 Tschantz B65D 81/052
 2021/0171263 A1 * 6/2021 Martin B65D 81/052
 2021/0276782 A1 * 9/2021 Leiberman B65D 81/052
 2021/0284420 A1 * 9/2021 Borrero B65D 81/03

OTHER PUBLICATIONS

All Office Actions; U.S. Appl. No. 29/711,289.
 All Office Actions; U.S. Appl. No. 29/711,290.
 All Office Actions; U.S. Appl. No. 29/711,291.
 All Office Actions; U.S. Appl. No. 29/711,293.
 U.S. Appl. No. 16/516,173, filed Jul. 18, 2019, Susana E Borrero et al.
 U.S. Appl. No. 16/515,887, filed Jul. 18, 2019, Susana E Borrero et al.

U.S. Appl. No. 16/515,507, filed Jul. 18, 2019, Susana E Borrero et al.
 U.S. Appl. No. 16/515,537, filed Jul. 18, 2019, Susana E Borrero et al.
 U.S. Appl. No. 16/515,416, filed Jul. 18, 2019, Joseph Craig Lester et al.
 U.S. Appl. No. 16/516,175, filed Jul. 18, 2019, Benjamin Jacob Clare et al.
 U.S. Appl. No. 16/515,317, filed Jul. 18, 2019, Susana E Borrero et al.
 U.S. Appl. No. 16/515,365, filed Jul. 18, 2019, Susana E Borrero et al.
 U.S. Appl. No. 16/515,331, filed Jul. 18, 2019, Susana E Borrero et al.
 U.S. Appl. No. 29/711,288, filed Oct. 30, 2019, Susana E Borrero et al.
 U.S. Appl. No. 29/711,289, filed Oct. 30, 2019, Susana E Borrero et al.
 U.S. Appl. No. 29/711,290, filed Oct. 30, 2019, Susana E Borrero et al.
 U.S. Appl. No. 29/711,291, filed Oct. 30, 2019, Susana E Borrero et al.
 U.S. Appl. No. 29/711,293, filed Oct. 30, 2019, Susana E Borrero et al.

* cited by examiner

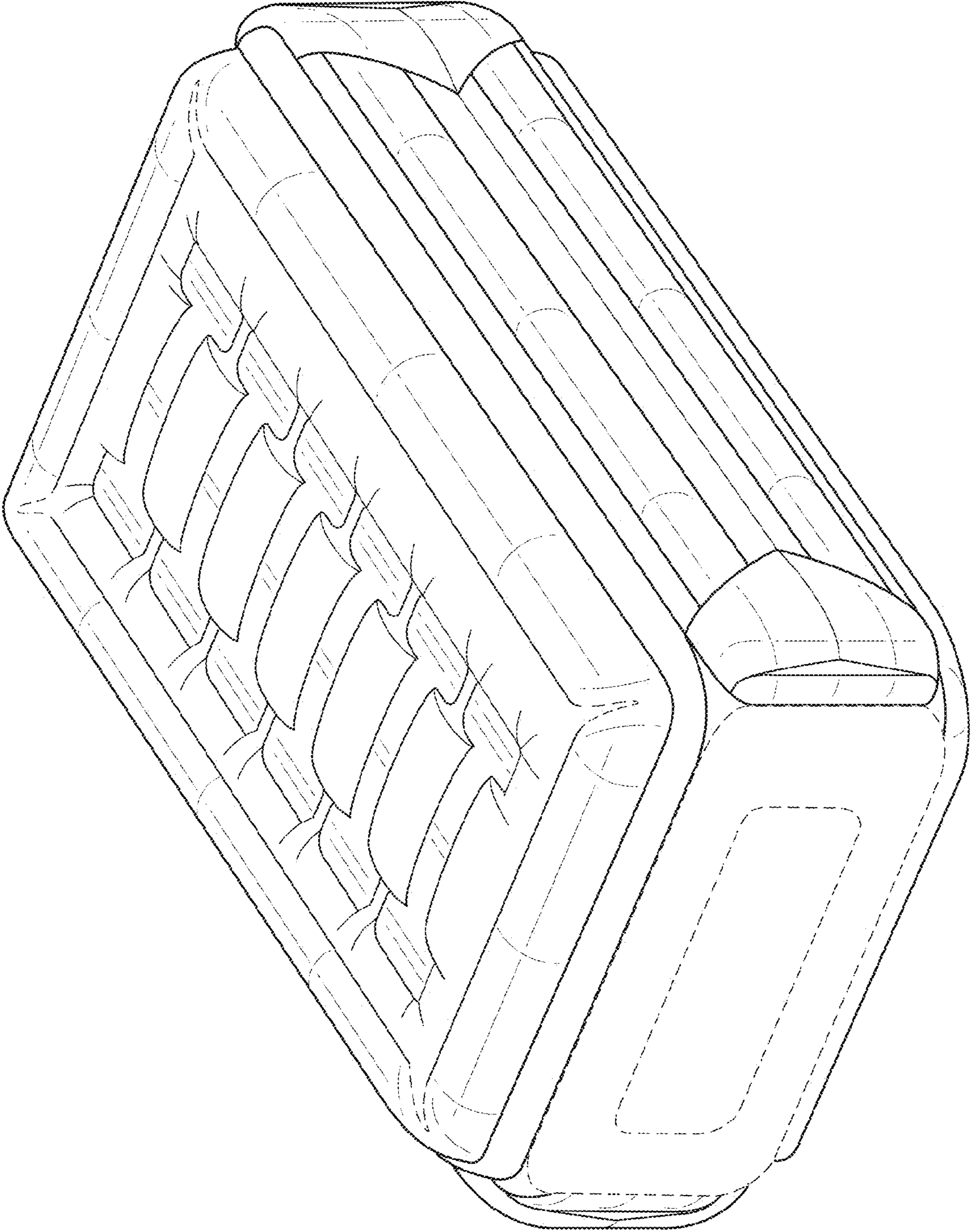


FIG. 1

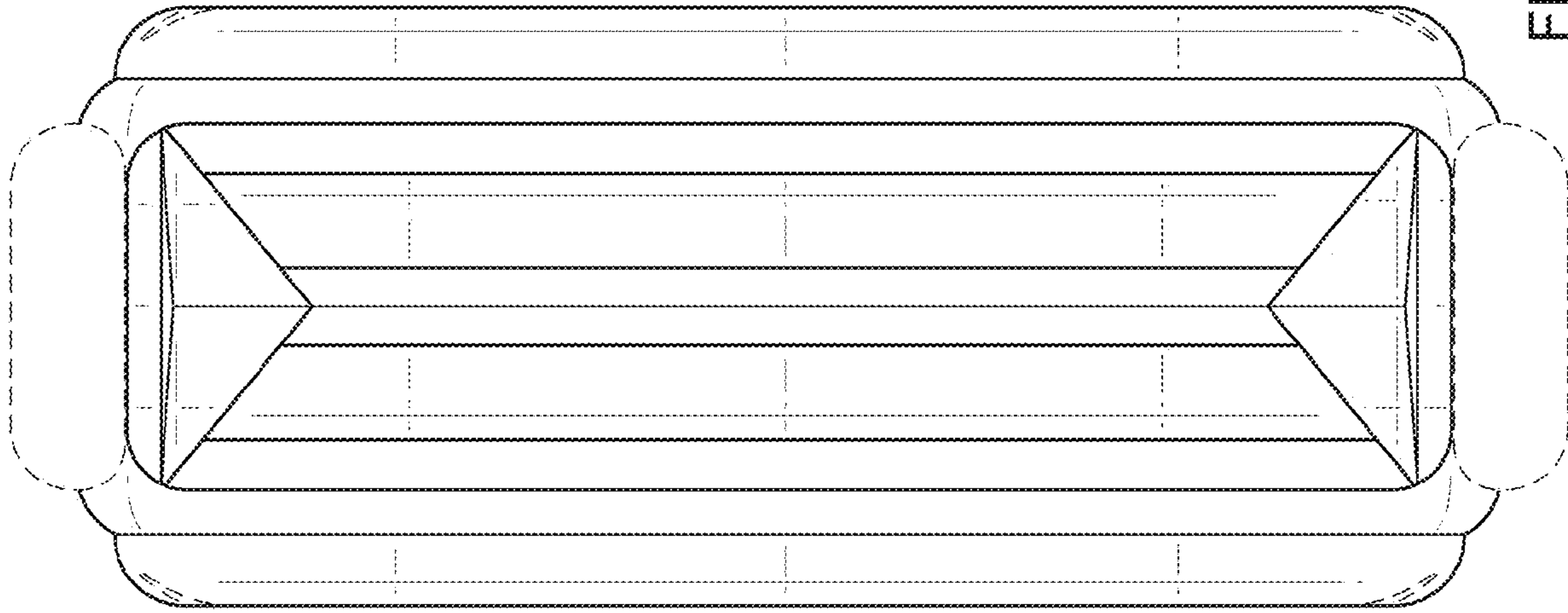


FIG. 3

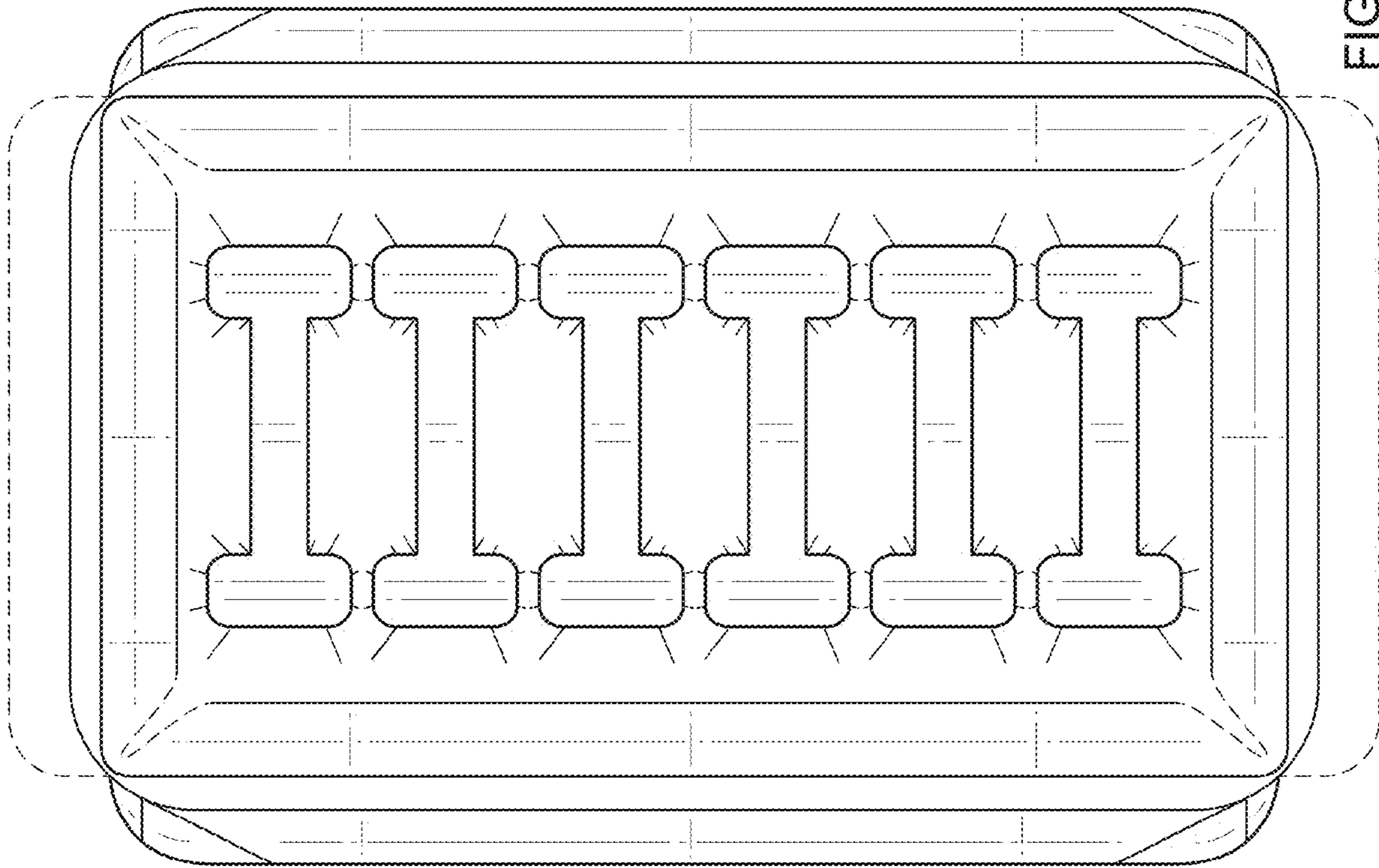


FIG. 2

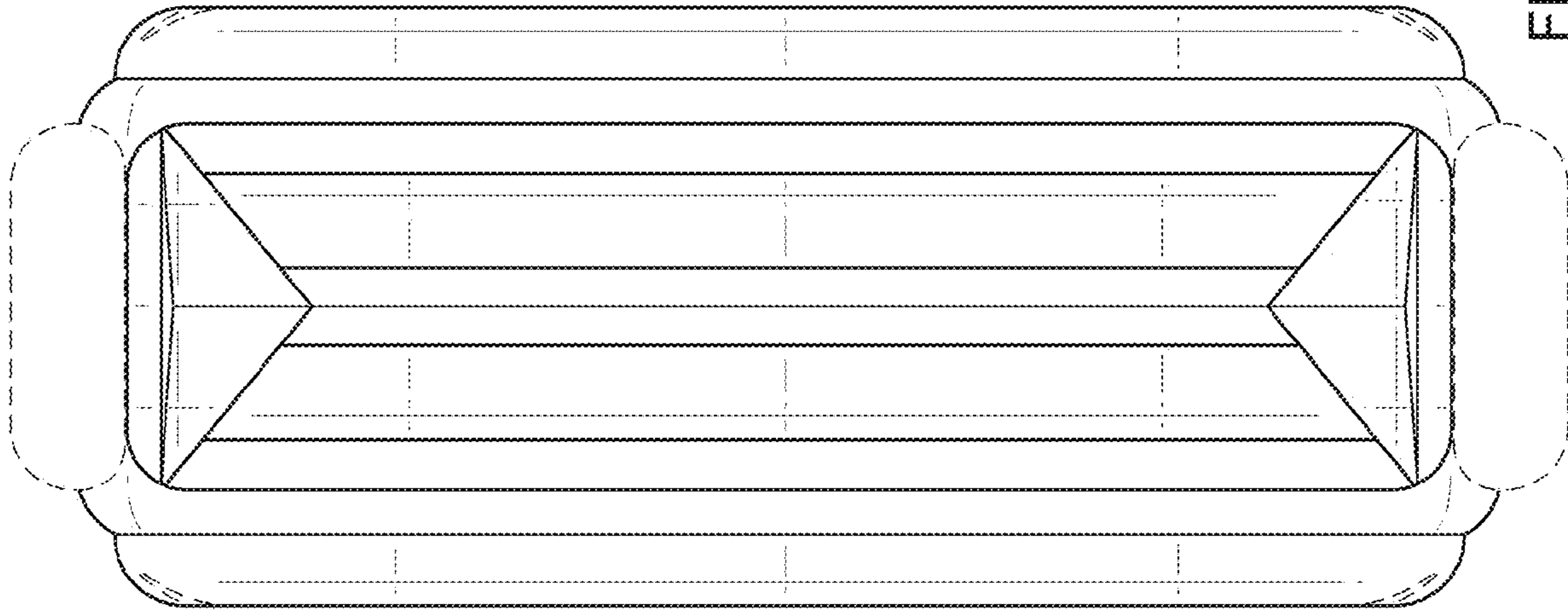


FIG. 5

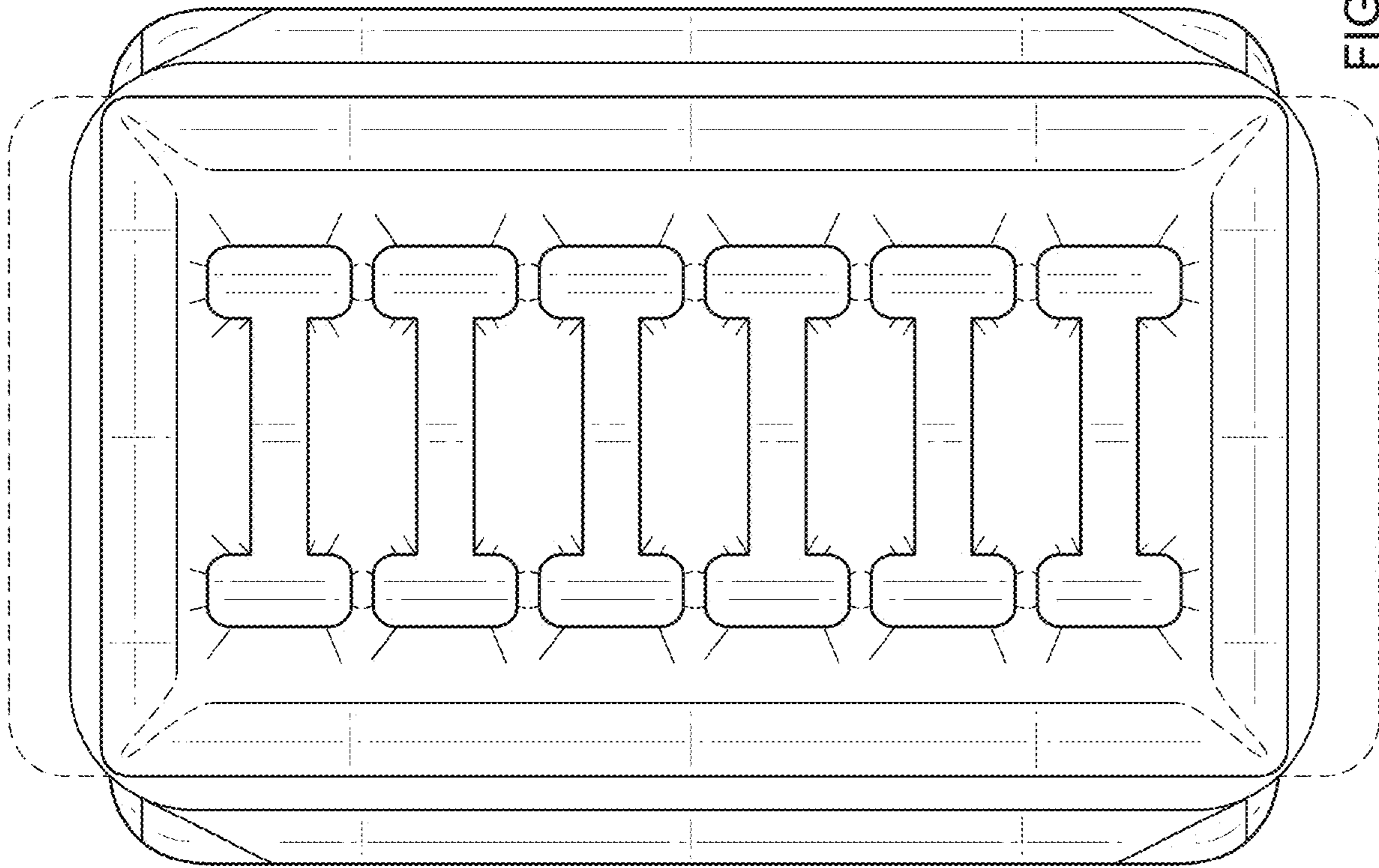


FIG. 4

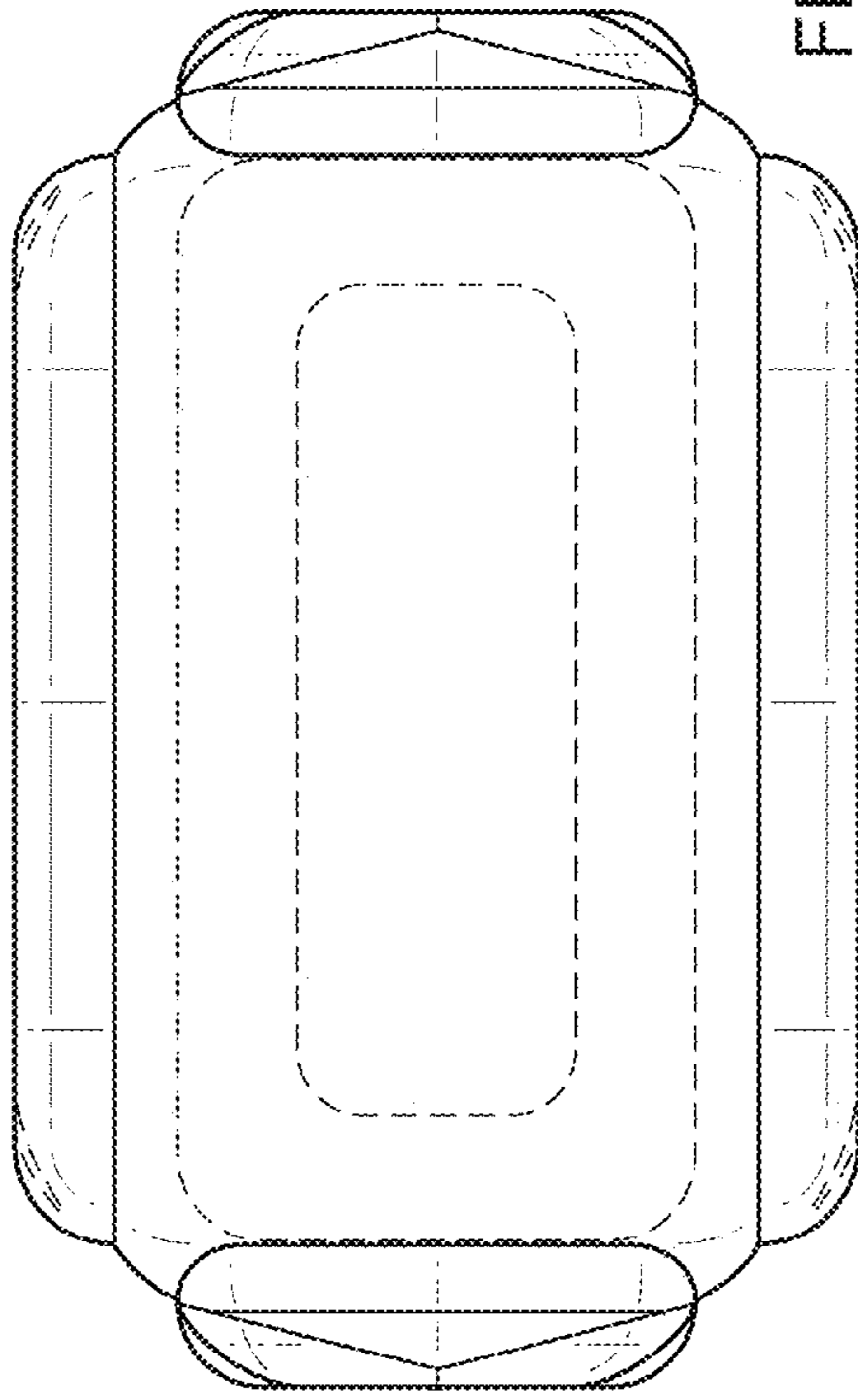


FIG. 6

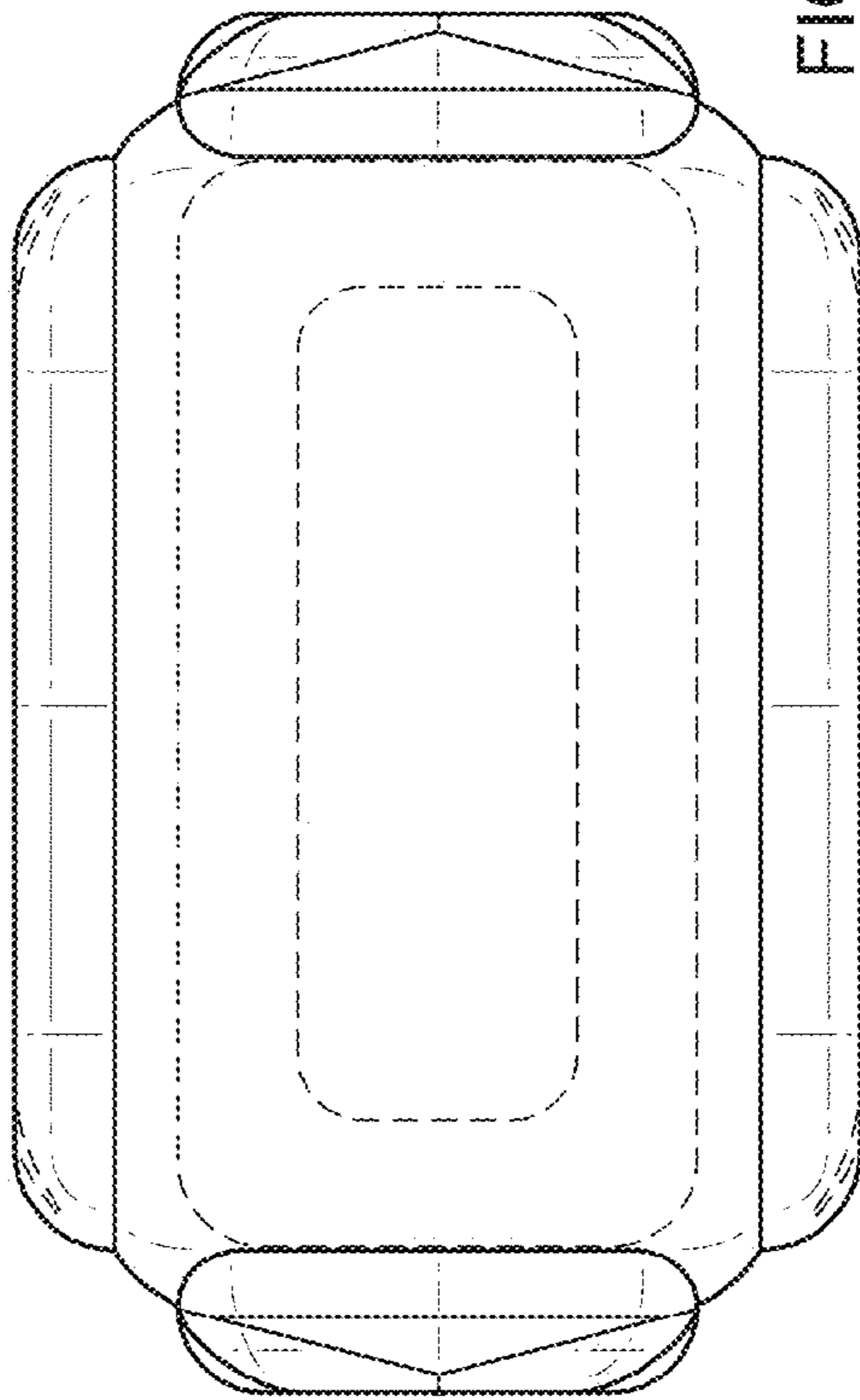


FIG. 7