



US00D968218S

(12) **United States Design Patent** (10) **Patent No.:** **US D968,218 S**  
**Sorbara et al.** (45) **Date of Patent:** **\*\* Nov. 1, 2022**

(54) **LID FOR PACKAGING**

(56) **References Cited**

(71) Applicant: **TETRA LAVAL HOLDINGS & FINANCE S.A., Pully (CH)**

U.S. PATENT DOCUMENTS

(72) Inventors: **Angelo Sorbara, Rubiera (IT); Rocco De Paola, Modena (IT); Franco Cani, Modena (IT); Tiziano Viani, Bibbiano (IT)**

D327,016	S *	6/1992	Leuenberger .....	D9/453
D327,849	S *	7/1992	Armstrong .....	D9/453
D329,200	S *	9/1992	Collins .....	D9/454
D584,149	S *	1/2009	Lohrman .....	D9/453
7,607,547	B2 *	10/2009	Kumata .....	B65D 41/0485 215/305
8,231,020	B2 *	7/2012	Taber .....	B65D 41/04 215/305
D702,117	S *	4/2014	Dagnino .....	D9/417
D733,556	S *	7/2015	De Pietri Tonelli .....	D9/431
D743,255	S *	11/2015	Niggemyer .....	D9/435
D778,160	S *	2/2017	Orset .....	D9/434
D795,686	S *	8/2017	Mohn .....	D9/417
D796,326	S *	9/2017	Ichikawa .....	D9/434
D829,547	S *	10/2018	Leufstedt .....	D9/434
D919,431	S *	5/2021	Dammers .....	D9/431
D926,570	S *	8/2021	Engelbrecht .....	D9/431
D932,885	S *	10/2021	De Pietri Tonelli .....	D9/417
2006/0000793	A1 *	1/2006	Mavin .....	B65D 51/20 222/153.07
2006/0144912	A1 *	7/2006	Franic .....	B65D 5/067 229/125.42
2007/0045320	A1 *	3/2007	Biesecker .....	B65D 50/041 220/288

(73) Assignee: **TETRA LAVAL HOLDINGS & FINANCE S.A., Pully (CH)**

(\*\*) Term: **15 Years**

(21) Appl. No.: **35/511,470**

(22) Filed: **Aug. 26, 2020**

(80) **Hague Agreement Data**

Int. Filing Date: **Aug. 26, 2020**

Int. Reg. No.: **DM/210099**

Int. Reg. Date: **Aug. 26, 2020**

Int. Reg. Pub. Date: **Feb. 26, 2021**

(30) **Foreign Application Priority Data**

Feb. 26, 2020 (EM) ..... 007717681

(51) **LOC (13) Cl.** ..... **09-07**

(52) **U.S. Cl.**  
USPC ..... **D9/452**

(58) **Field of Classification Search**  
USPC ..... D9/414-415, 416, 420-423, 430,  
D9/432-433, 435, 721  
CPC ..... B65D 5/42; B65D 5/4258; B65D 81/36;  
B65D 81/365; B65D 81/366; B65D  
81/368; B65D 2203/00; B65D 2203/02;  
B65D 37/00

See application file for complete search history.

(Continued)

Primary Examiner — Michael A. Pratt

(74) Attorney, Agent, or Firm — Leason Ellis LLP

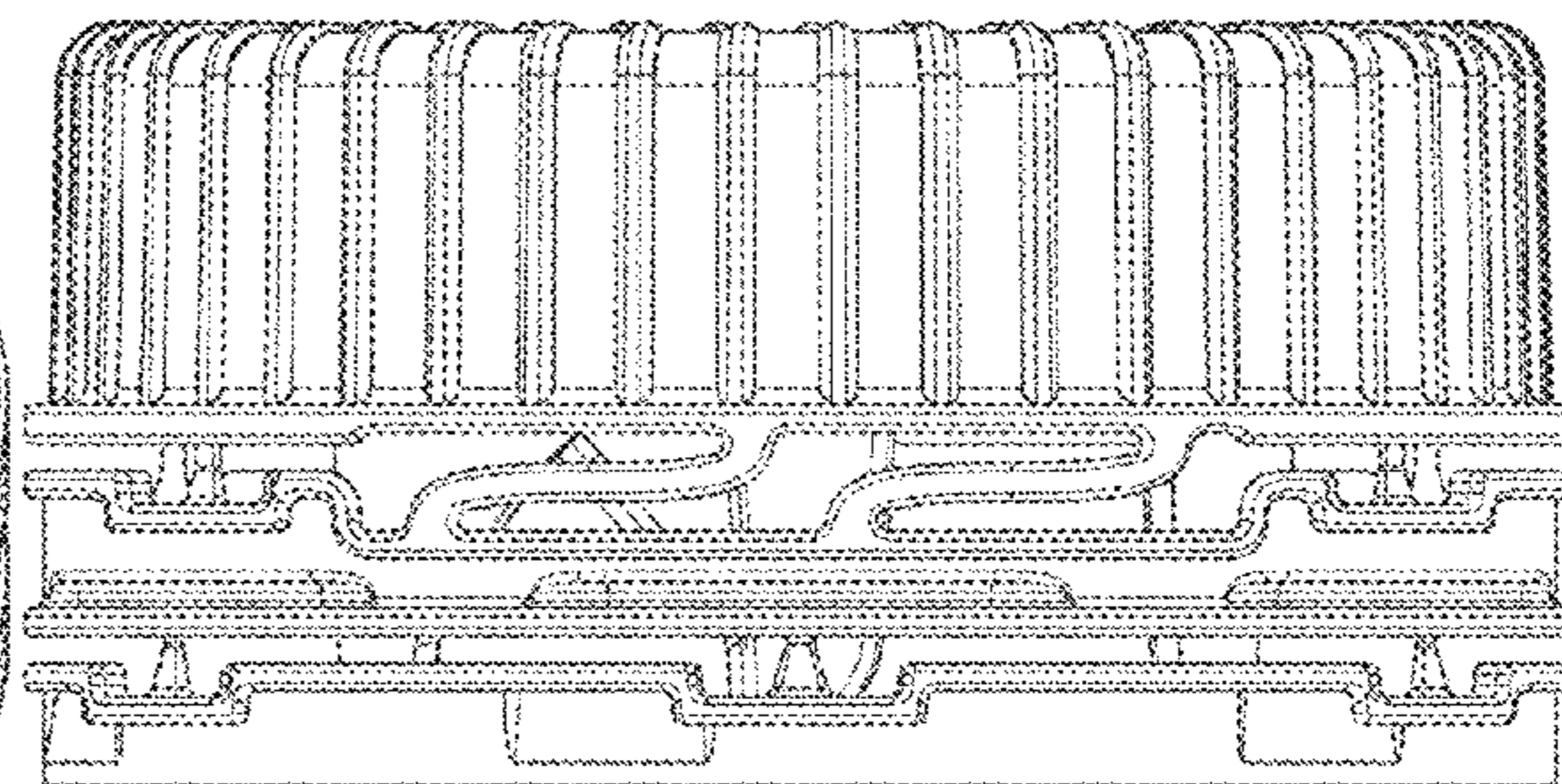
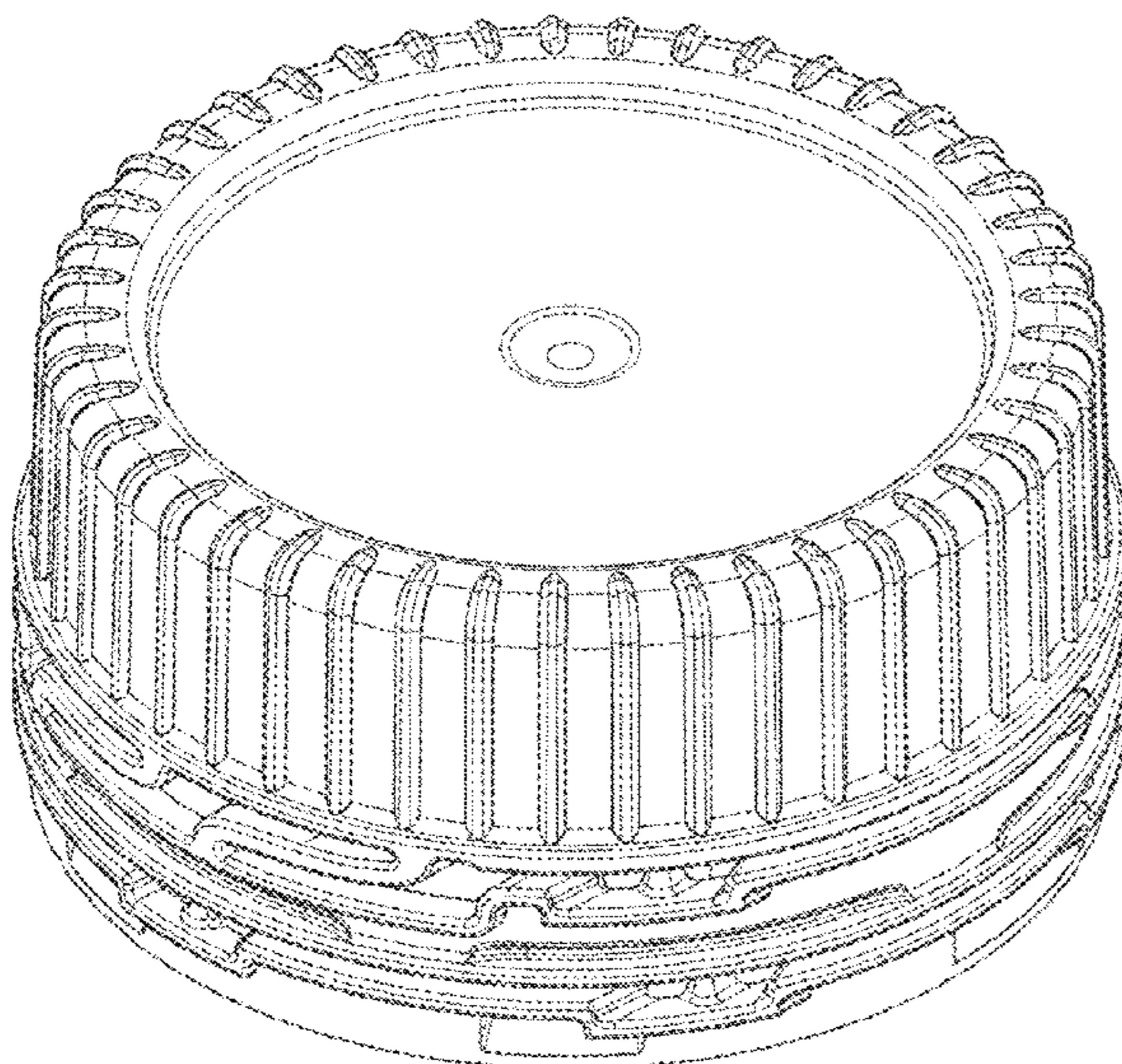
(57) **CLAIM**

The ornamental design for the lid for packaging, as shown and described.

**DESCRIPTION**

- 1. Lid for packaging
- 1.1 :Perspective
- 1.2 :Back
- 1.3 :Right
- 1.4 :Left
- 1.5 :Front
- 1.6 :Top
- 1.7 :Bottom

**1 Claim, 7 Drawing Sheets**



(56)

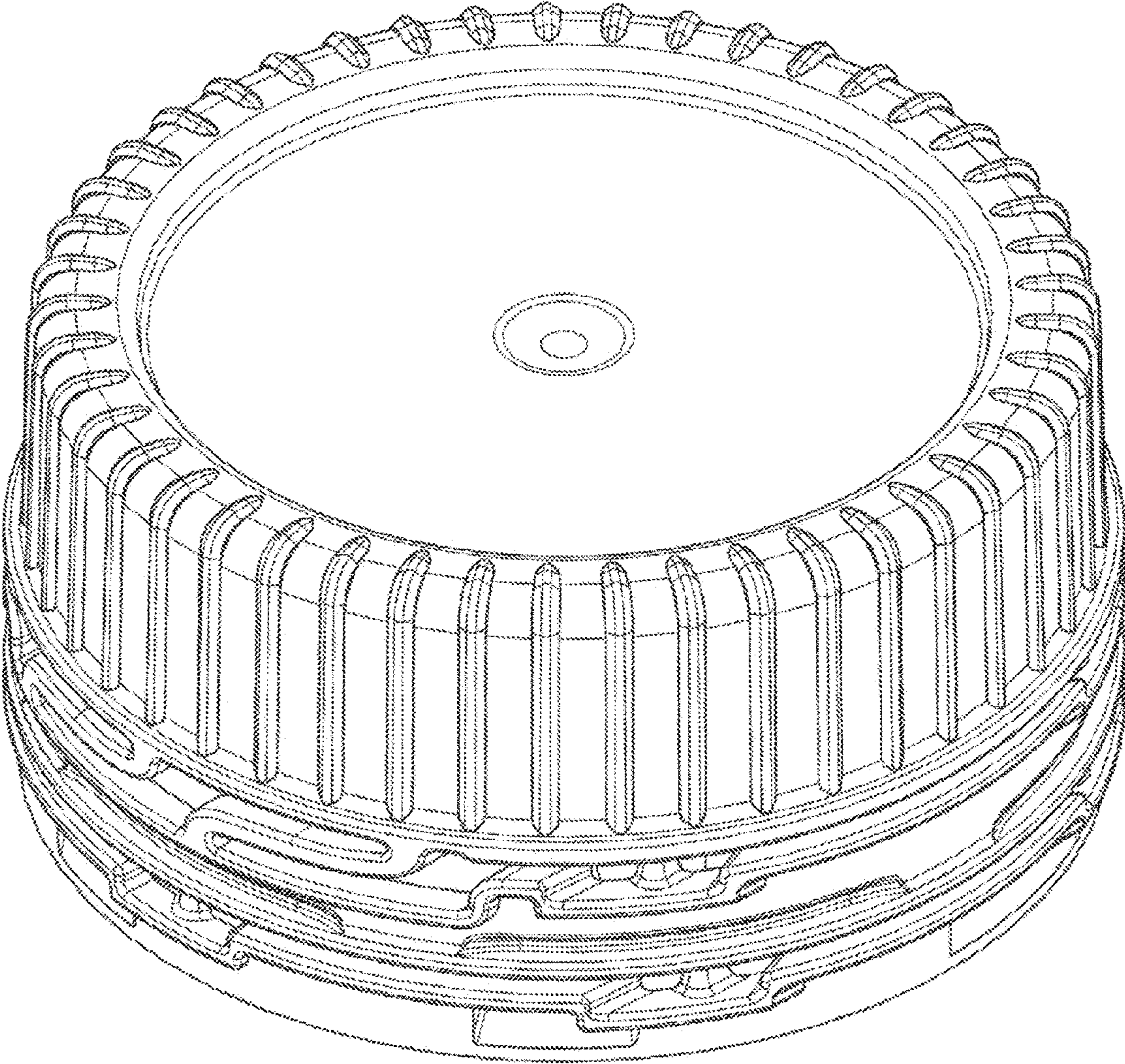
**References Cited**

U.S. PATENT DOCUMENTS

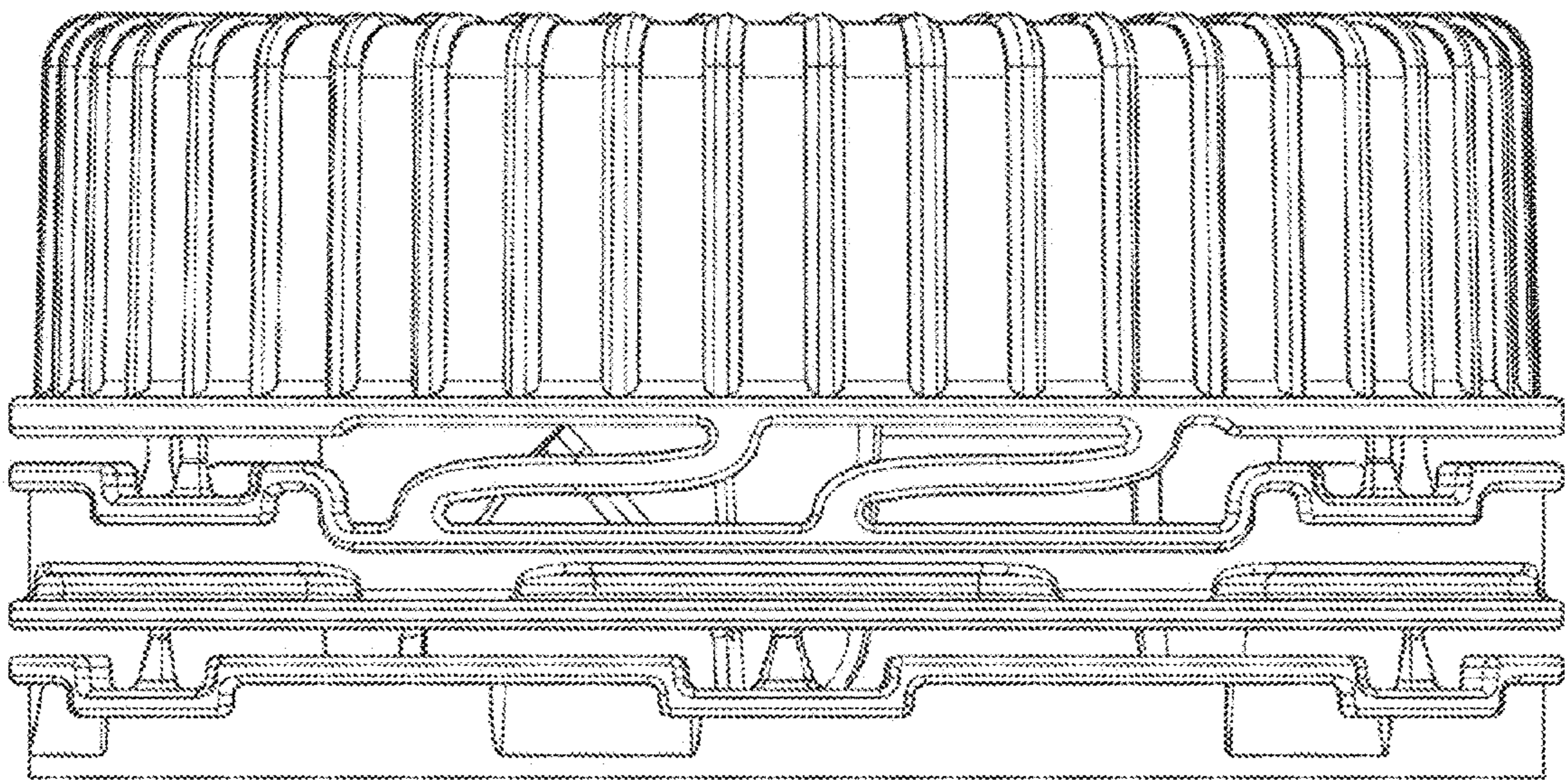
2012/0279182 A1\* 11/2012 Barbieri ..... B65D 5/4266  
229/164  
2016/0039579 A1\* 2/2016 Wood ..... B65D 41/0421  
215/329

\* cited by examiner

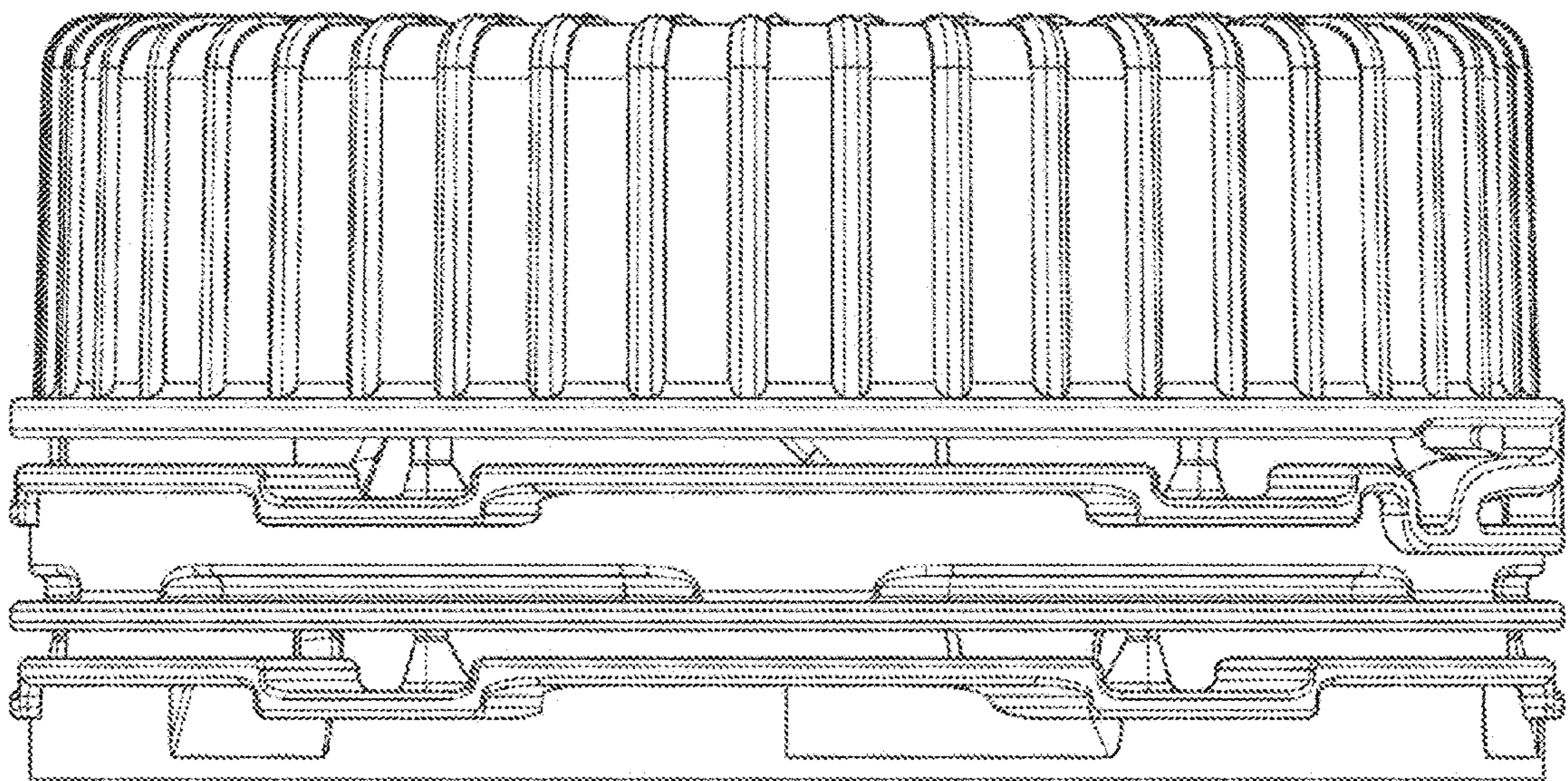
1.1



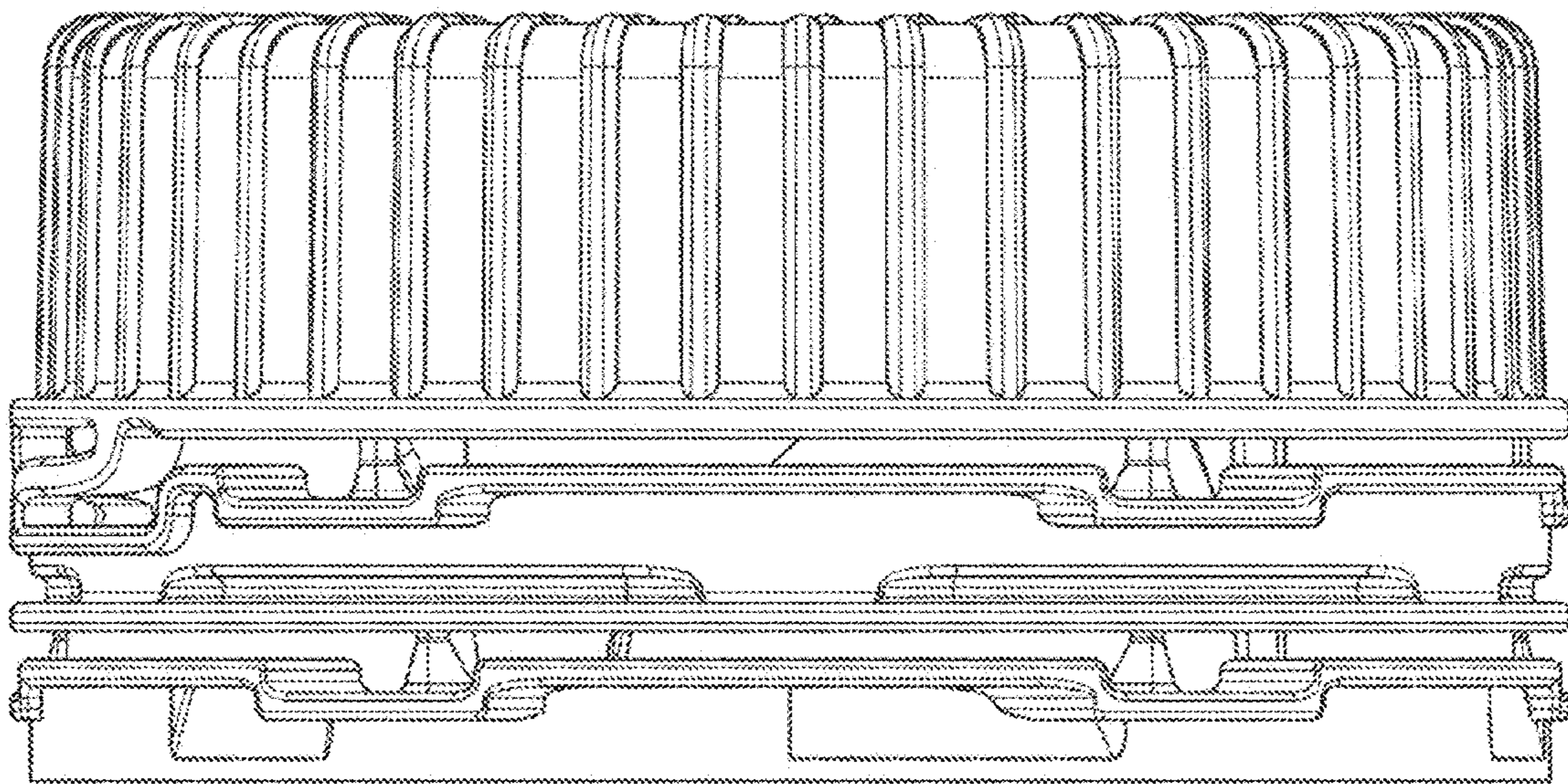
1.2



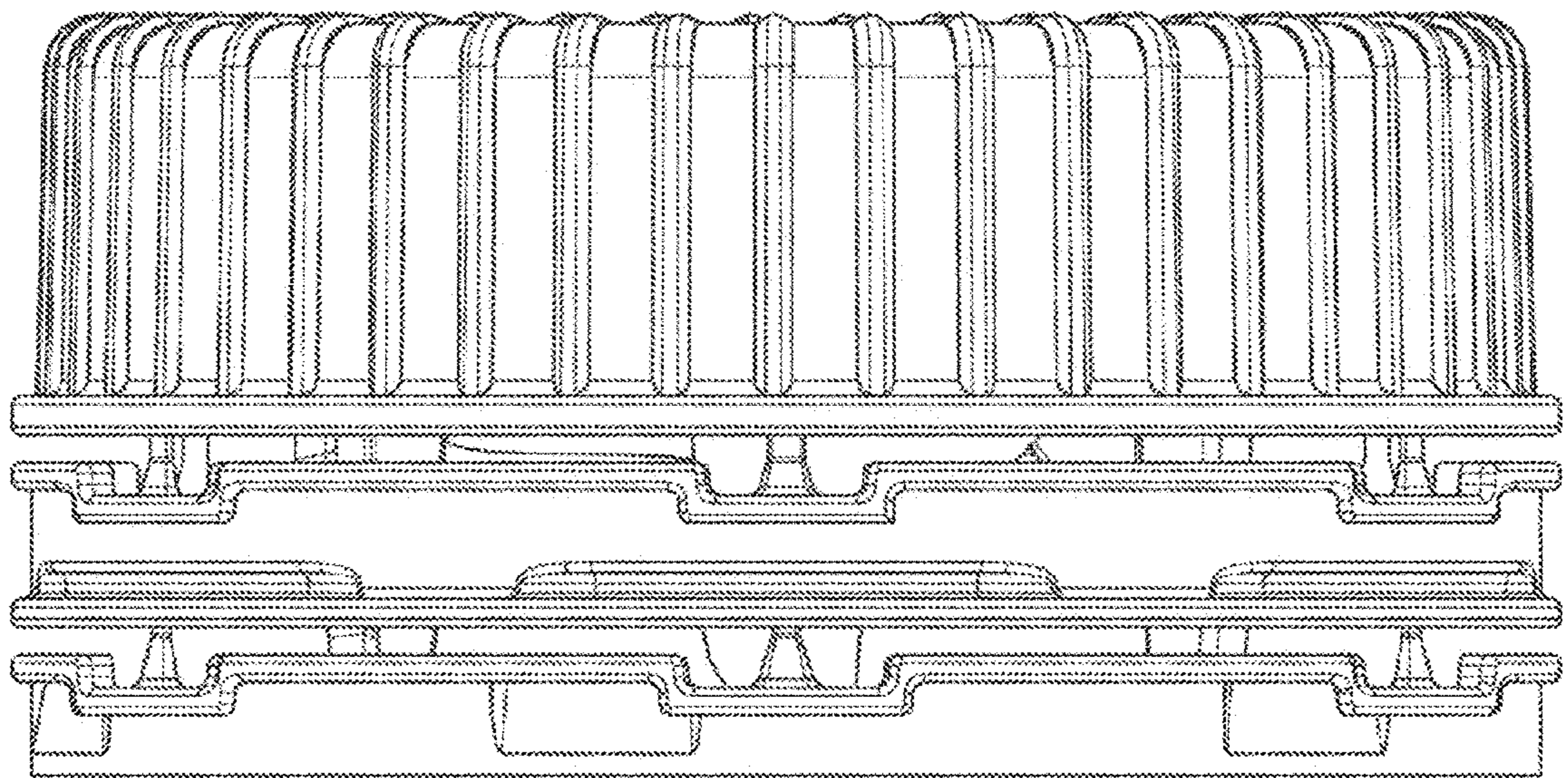
1.3



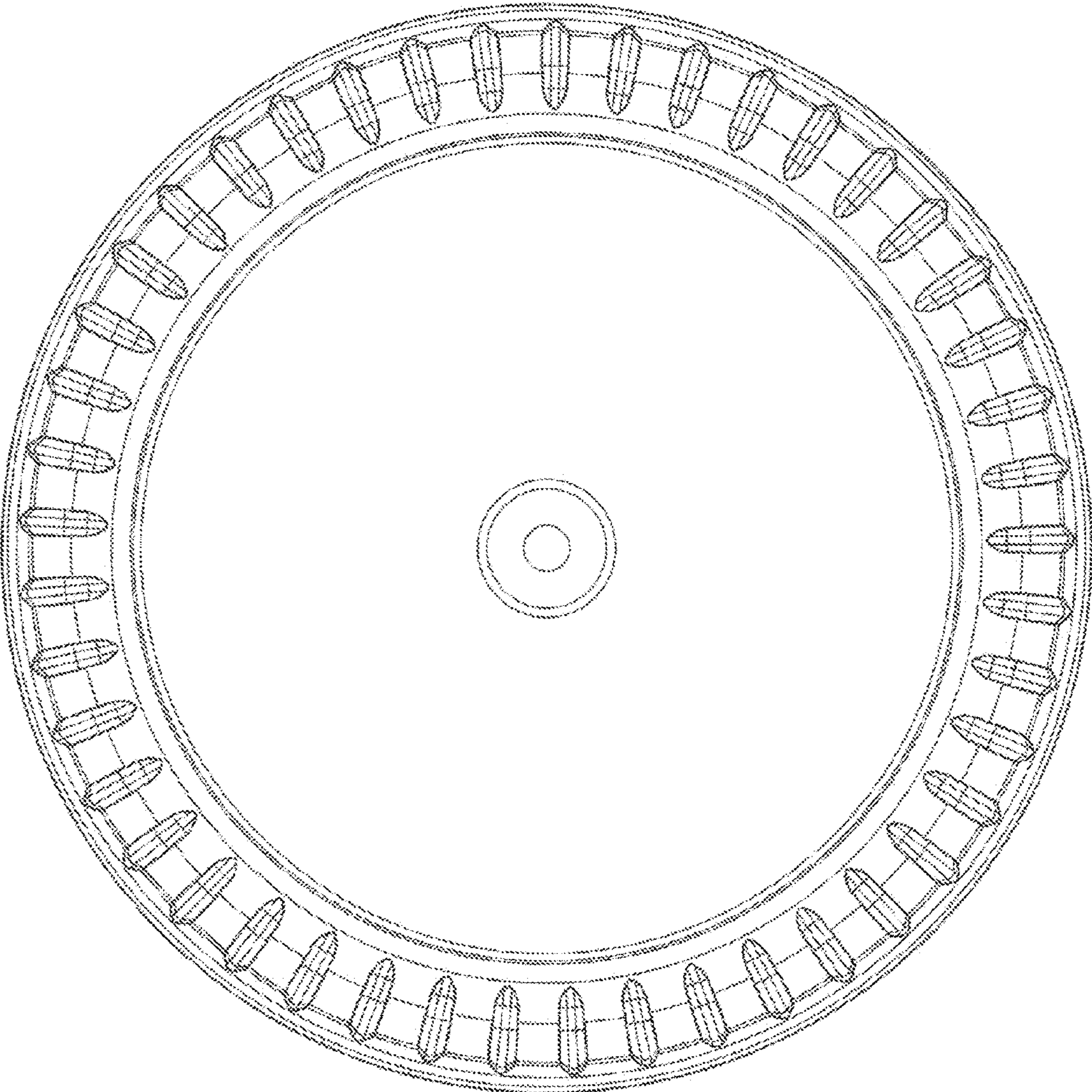
1.4



1.5



1.6





1.7

