



US00D968217S

(12) **United States Design Patent** (10) **Patent No.:** **US D968,217 S**
Bartlett et al. (45) **Date of Patent:** **** Nov. 1, 2022**

(54) **CONTAINER LID**

FOREIGN PATENT DOCUMENTS

(71) Applicant: **Metrex Research LLC**, Orange, CA (US)

CA 178020 A 7/1917
CN 3422867 2/2005

(Continued)

(72) Inventors: **Lauren Clarise Bartlett**, Fox Point, WI (US); **James Liang-Hiong Chia**, Irvine, CA (US); **Zackary M. Fredericks**, Wauwatosa, WI (US); **Christopher Michael Hoang**, Rancho Santa Margarita, CA (US); **Joshua R. Kouba**, Waukesha, WI (US); **Jonathan James Leyrer**, Wauwatosa, WI (US)

Primary Examiner — Lauren R Calve
(74) *Attorney, Agent, or Firm* — Wood Herron & Evans LLP

(73) Assignee: **Metrex Research, LLC**, Orange, CA (US)

(57) **CLAIM**

The ornamental design for a container lid, as shown and described.

(**) Term: **15 Years**

(21) Appl. No.: **29/753,393**

DESCRIPTION

(22) Filed: **Sep. 30, 2020**

(51) **LOC (13) Cl.** **09-07**

(52) **U.S. Cl.**
USPC **D9/449; D9/734**

(58) **Field of Classification Search**
USPC D9/414, 420, 423, 424, 430, 431, 440, D9/449, 503, 504, 529, 550, 557, 540, D9/730, 734; D3/201, 304, 315; D6/515, 518, 519, 521, 522, 523; D7/601, 608, 622, 704
CPC B65D 75/5838; B65D 2575/586; B65D 75/5855; B65D 75/5805; B65D 75/12; B65D 77/2096; B65D 2101/00; B65D 75/5827; B65D 83/0805; B65D 75/20; B65D 75/26; B65D 75/68; B65D 33/20; B65D 77/003; B65D 75/326; B65D
(Continued)

FIG. 1 is a top front right perspective view of our new, original, and ornamental design for a container lid.
FIG. 2 is a front view thereof.
FIG. 3 is a rear view thereof.
FIG. 4 is a left side view thereof, the right side view being a mirror image thereof.
FIG. 5 is a top view thereof.
FIG. 6 is a bottom view thereof.
FIG. 7 is a cross-sectional view thereof taken along line 7-7 in FIG. 2.
FIG. 8 is a top front right perspective view thereof with the lid open.
FIG. 9 is a front view thereof with the lid open.
FIG. 10 is a rear view thereof with the lid open.
FIG. 11 is a left side view thereof with the lid open, the right side view being a mirror image thereof.
FIG. 12 is a top view thereof with the lid open.
FIG. 13 is a bottom view thereof with the lid open; and, FIG. 14 is a cross-sectional view thereof taken along line 14-14 in FIG. 9.
The dashed lines illustrate portions and environment of the container lid that form no part of the claimed design.

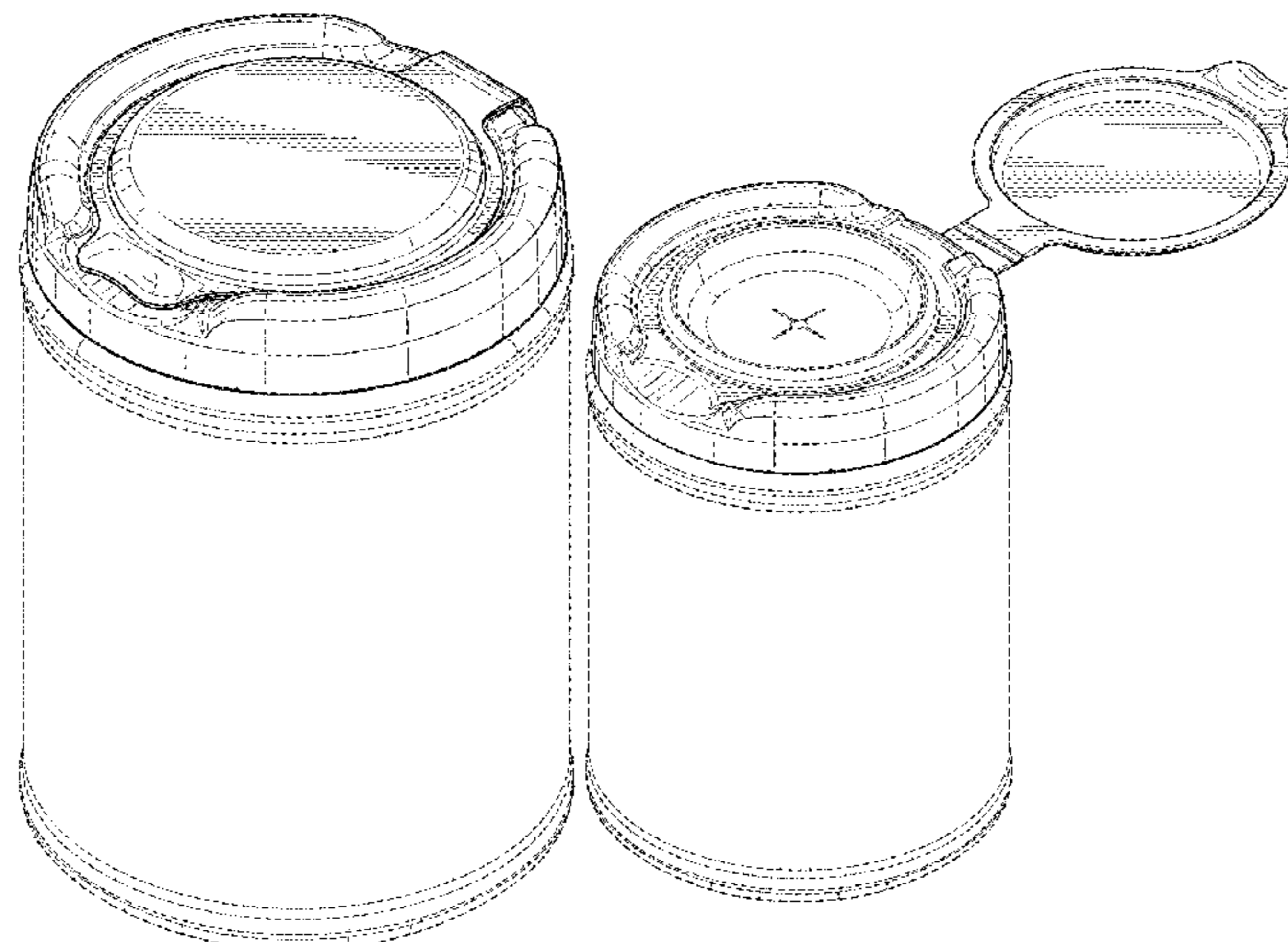
(56) **References Cited**

U.S. PATENT DOCUMENTS

4,171,047 A 10/1979 Doyle et al.
4,337,876 A 7/1982 Thompson

(Continued)

1 Claim, 14 Drawing Sheets



US D968,217 S

(58) **Field of Classification Search**
 CPC 77/2032; B65D 2543/00425; B65D
 2543/00194
 See application file for complete search history.

(56) **References Cited**

U.S. PATENT DOCUMENTS

4,462,507	A	7/1984	Margulies	
4,534,491	A	8/1985	Norton et al.	
D284,066	S	6/1986	Civre	
D322,215	S	12/1991	Hunt	
D322,931	S	1/1992	Hunt	
D322,932	S	1/1992	Hunt	
D354,225	S	1/1995	Norton et al.	
5,560,514	A	10/1996	Frazier	
D385,493	S *	10/1997	Zhang	D9/438
6,145,782	A	11/2000	King et al.	
6,158,614	A *	12/2000	Haines	A47K 10/3818 221/33
6,279,775	B1 *	8/2001	Parkes	A47K 10/3818 221/185
6,283,334	B1	9/2001	Mahaffey et al.	
6,315,114	B1	11/2001	Keck et al.	
6,364,101	B1 *	4/2002	Schultz	A47K 10/3818 206/210
D471,456	S *	3/2003	Young	D9/447
6,554,156	B1	4/2003	Chong	
6,889,867	B1 *	5/2005	Smith	B65D 43/0212 221/306
D513,474	S *	1/2006	Choi	D9/449
D525,146	S	7/2006	Young et al.	
D529,400	S	10/2006	Sellars	
D530,224	S *	10/2006	Mattesky	D9/734
7,163,124	B2 *	1/2007	Bushman	A47K 10/3818 221/135
D541,173	S	4/2007	Karussi et al.	
D565,968	S *	4/2008	Mantenuto	D9/734
7,556,175	B2	7/2009	Simkins	
7,559,434	B2	7/2009	Masting	
7,597,213	B2	10/2009	McDonald	
D651,077	S	12/2011	Frias	
D651,899	S	1/2012	Frias	
9,138,111	B2	9/2015	Crudge et al.	
D741,181	S *	10/2015	Bar-Tai	D9/529
D763,079	S *	8/2016	Sturk	D9/447
9,510,714	B2	12/2016	White	
9,974,419	B2	5/2018	Azelton et al.	
D819,456	S *	6/2018	Gomez Martin	D9/734
10,039,425	B2	8/2018	Azelton et al.	
D836,433	S	12/2018	Cahalan	
10,327,602	B2	6/2019	Azelton et al.	
10,351,998	B2	7/2019	Baer et al.	
10,413,137	B2	9/2019	Wahl et al.	
10,618,700	B2 *	4/2020	Frishman	B65D 41/42

10,676,271	B2 *	6/2020	Frank	B65D 81/24
2004/0251292	A1	12/2004	Grebouval et al.	
2005/0133387	A1	6/2005	Cohen et al.	
2008/0073311	A1	3/2008	Jelich et al.	
2008/0099596	A1	5/2008	DeMaso et al.	
2008/0110918	A1	5/2008	Lee	
2009/0114669	A1	5/2009	Decker et al.	
2009/0255950	A1 *	10/2009	Simkins	A47K 10/3818 221/45
2009/0272665	A1	11/2009	Cornell	
2009/0289077	A1	11/2009	Melin et al.	
2010/0078443	A1	4/2010	Hoefing et al.	
2010/0133287	A1	6/2010	Tramontina et al.	
2010/0187250	A1 *	7/2010	Kryshak	B65D 83/0894 221/46
2011/0011878	A1	1/2011	Baer et al.	
2014/0021219	A1 *	1/2014	Honan	B65D 83/08 221/306
2018/0273247	A1	9/2018	Mooney	

FOREIGN PATENT DOCUMENTS

CN	300821343	8/2008
CN	302670623 S	12/2013
CN	303422089 S	10/2015
CN	303911054 S	11/2016
CN	304296459	9/2017
CN	304442886	1/2018
CN	304973097 S	1/2019
CN	305464056 S	11/2019
EM	000458922-0006	2/2006
EP	0818400 A1	1/1998
IL	30302	12/1999
JP	1182449 S	8/2003
JP	1217638 S	9/2004
JP	1231230 S	2/2005
JP	1467550 S	4/2013
JP	1467551	4/2013
JP	1471424 S	6/2013
JP	1490828 S	2/2014
JP	1527244 S	6/2015
JP	1534584 S	10/2015
JP	1576915 S	5/2017
JP	1576916 S	5/2017
KR	300871562	9/2016
KR	300871563	9/2016
KR	300924865	9/2017
KR	300931514	11/2017
KR	300934138	12/2017
KR	300937849	12/2017
KR	300946436	3/2018
RU	50630 U1	7/2002
RU	63275 U1	7/2007
WO	D076439-001	3/2011
WO	D076439-007	3/2011

* cited by examiner

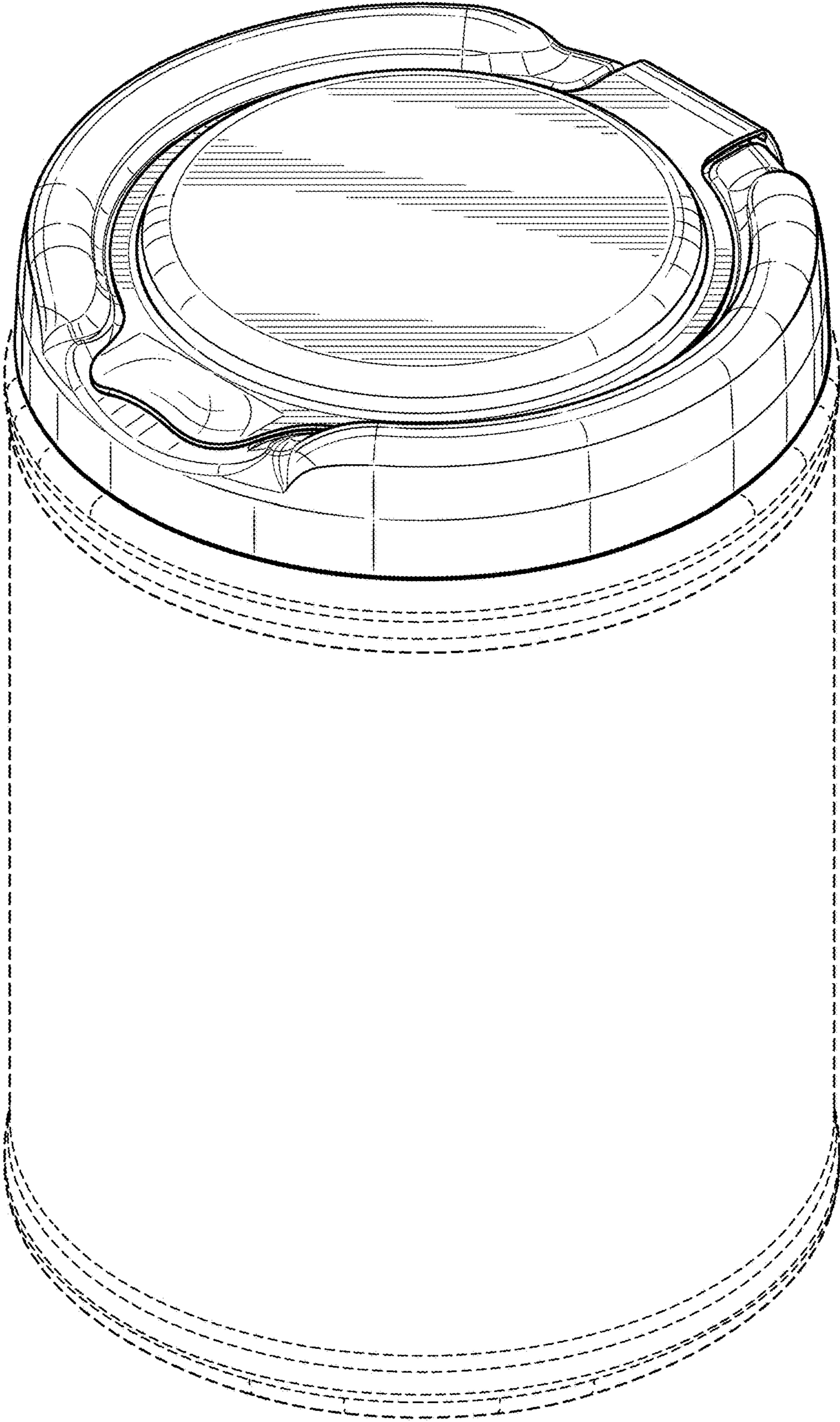


FIG. 1

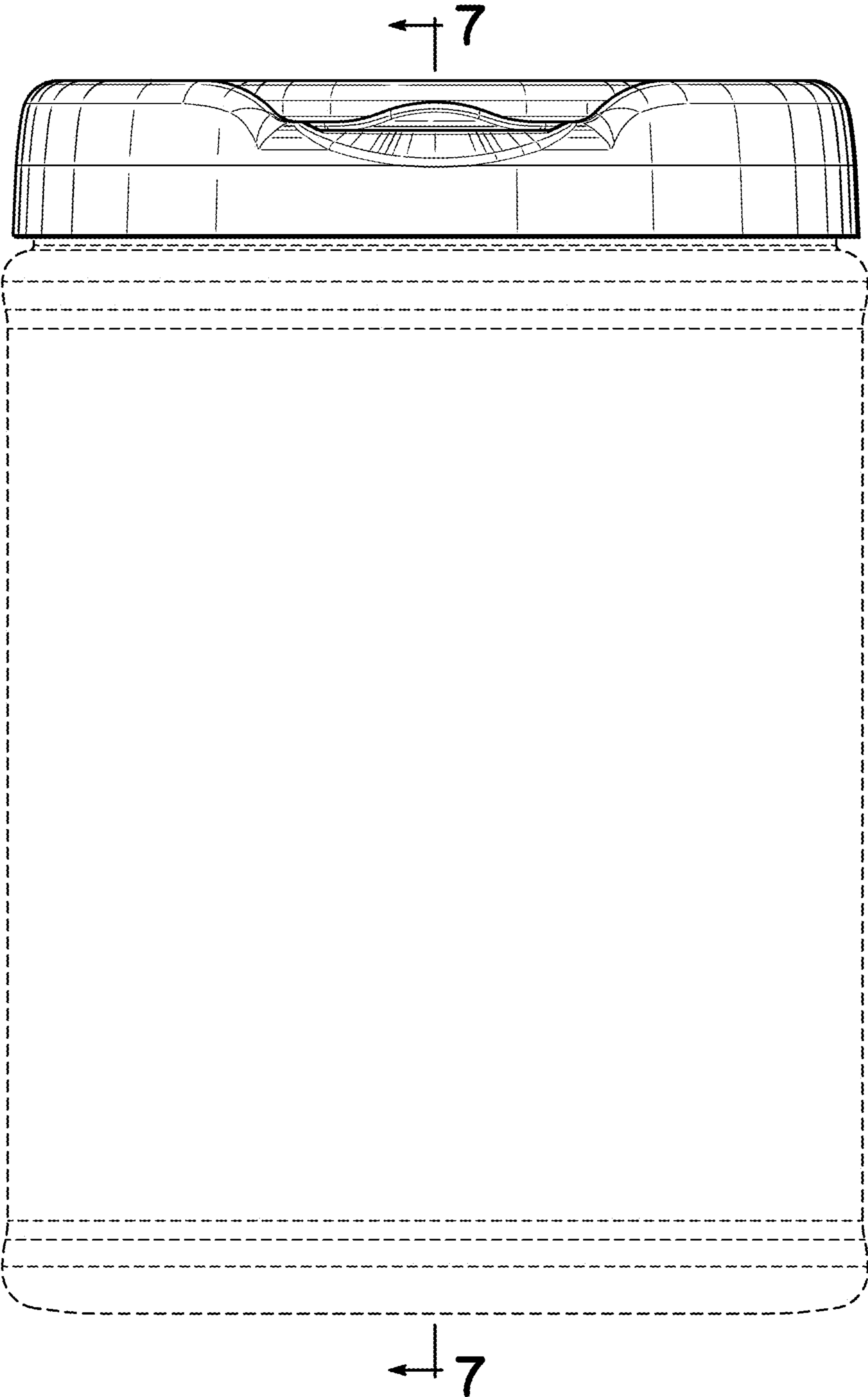


FIG. 2

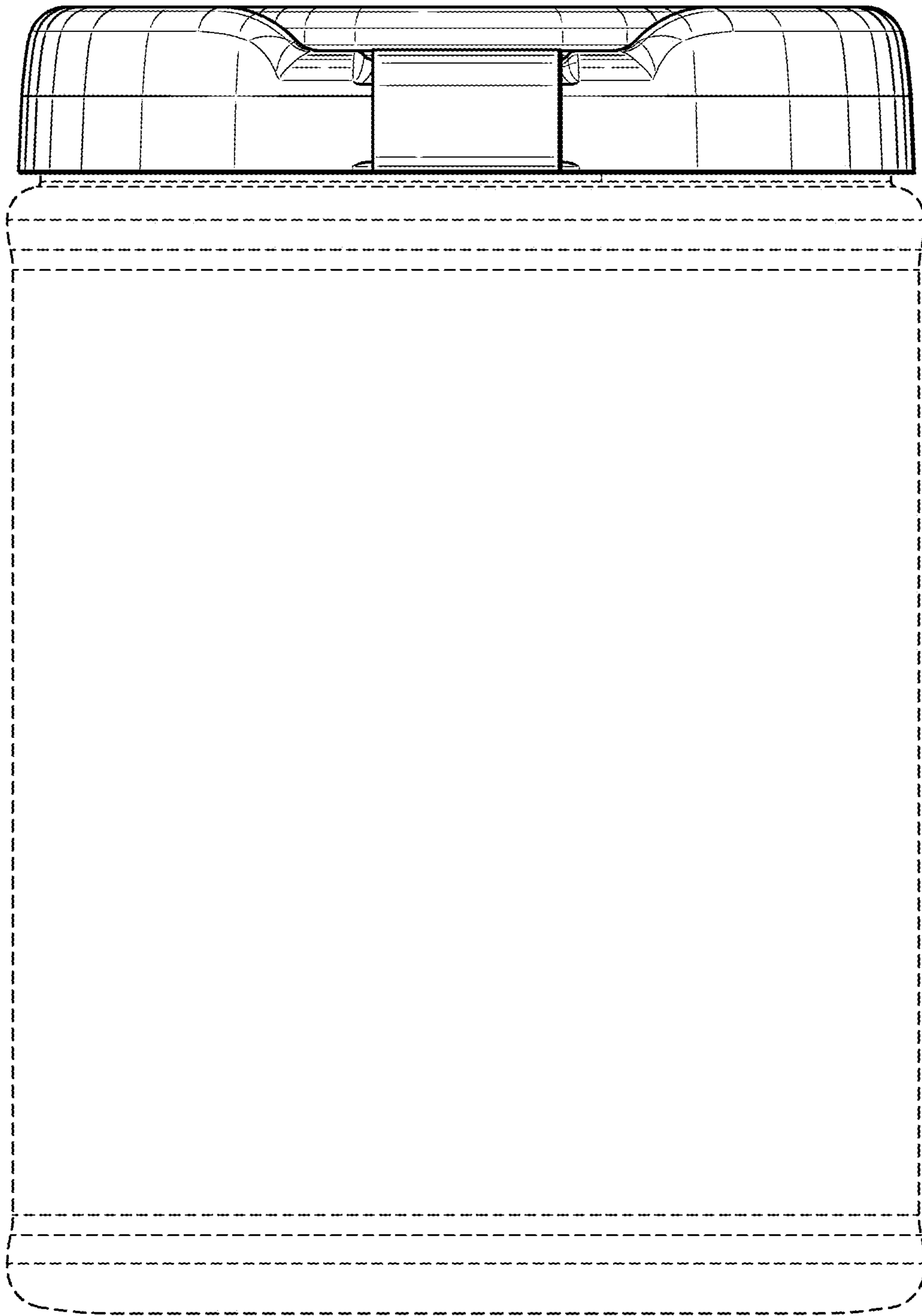


FIG. 3

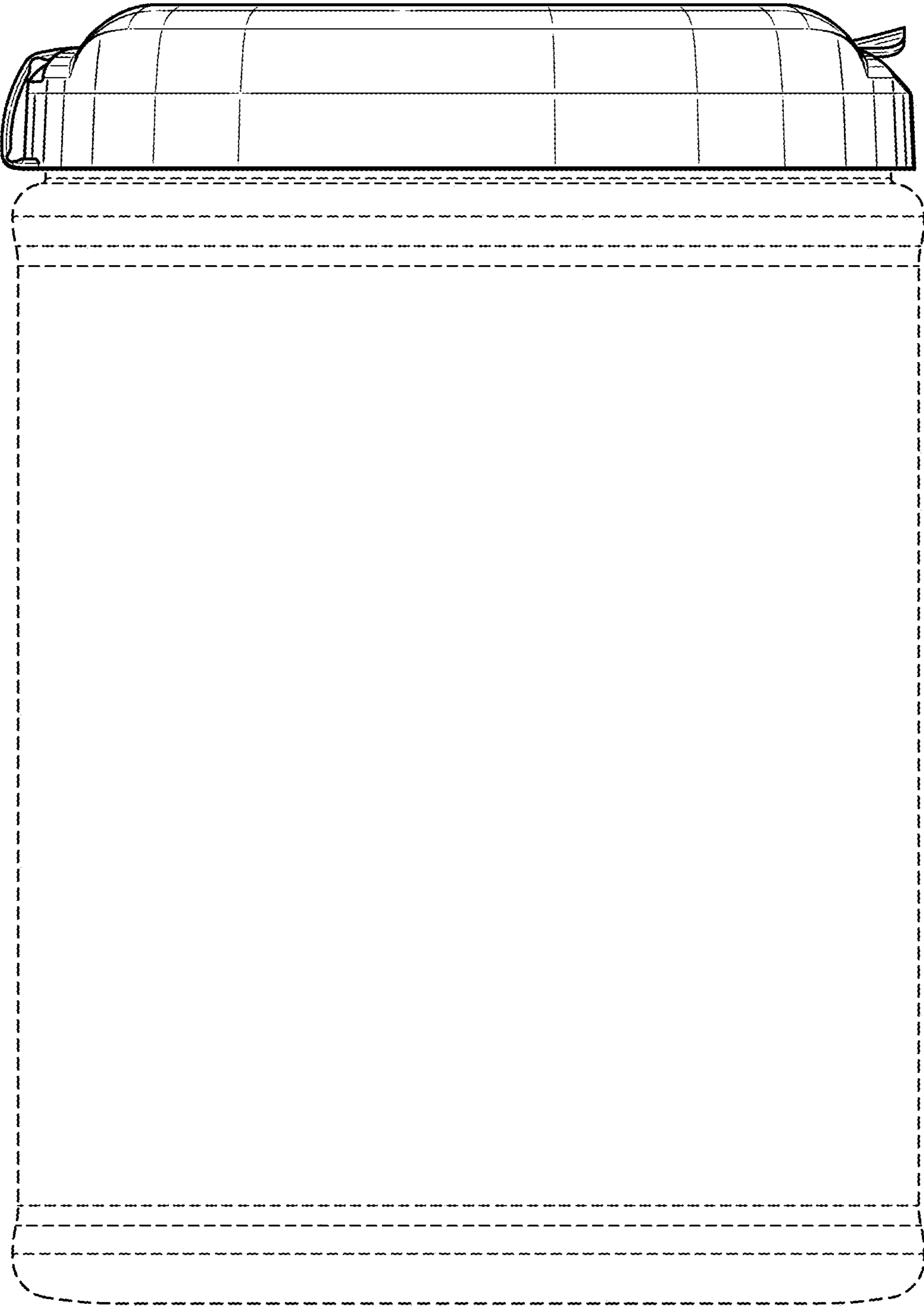


FIG. 4

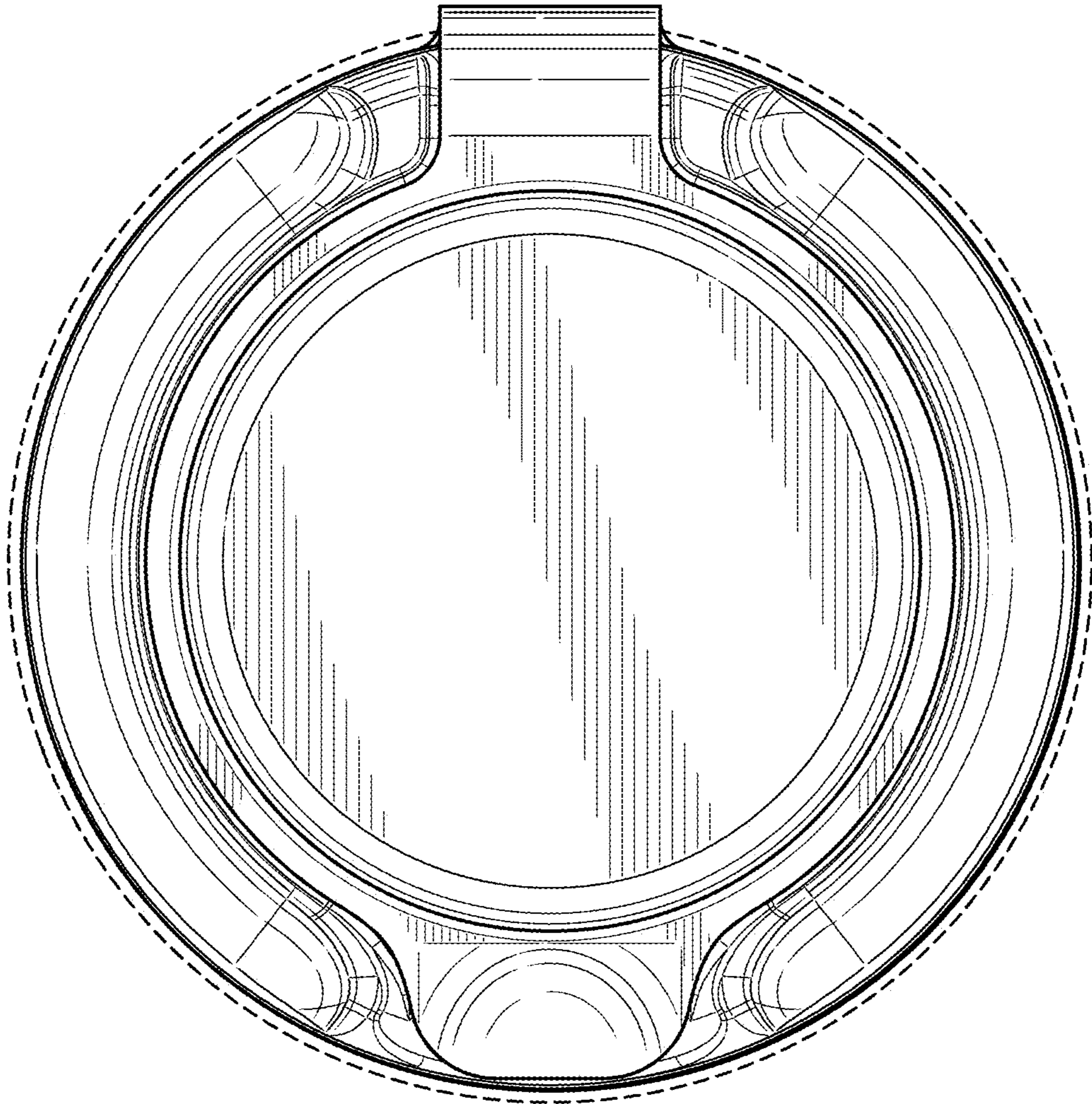


FIG. 5

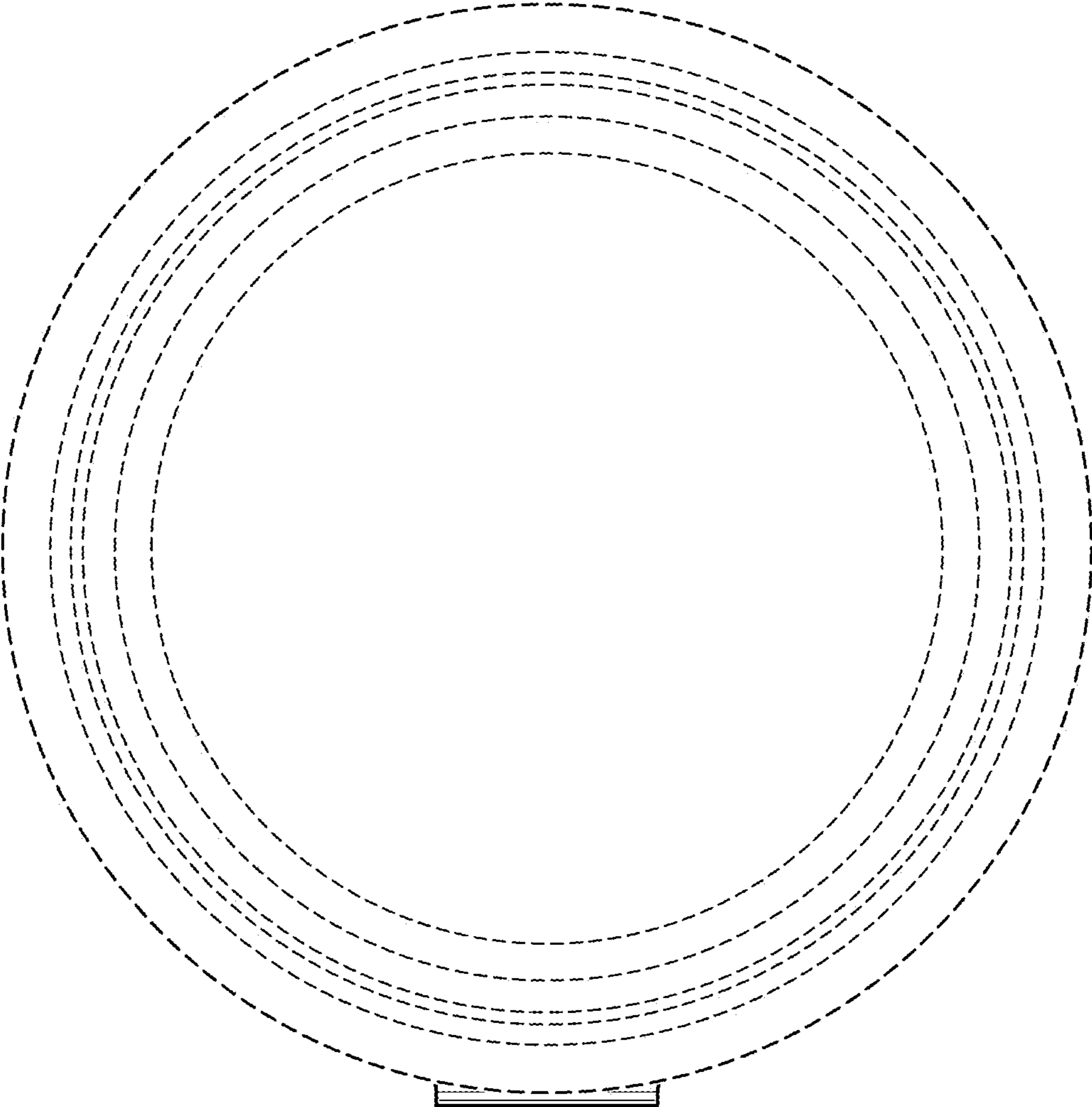


FIG. 6

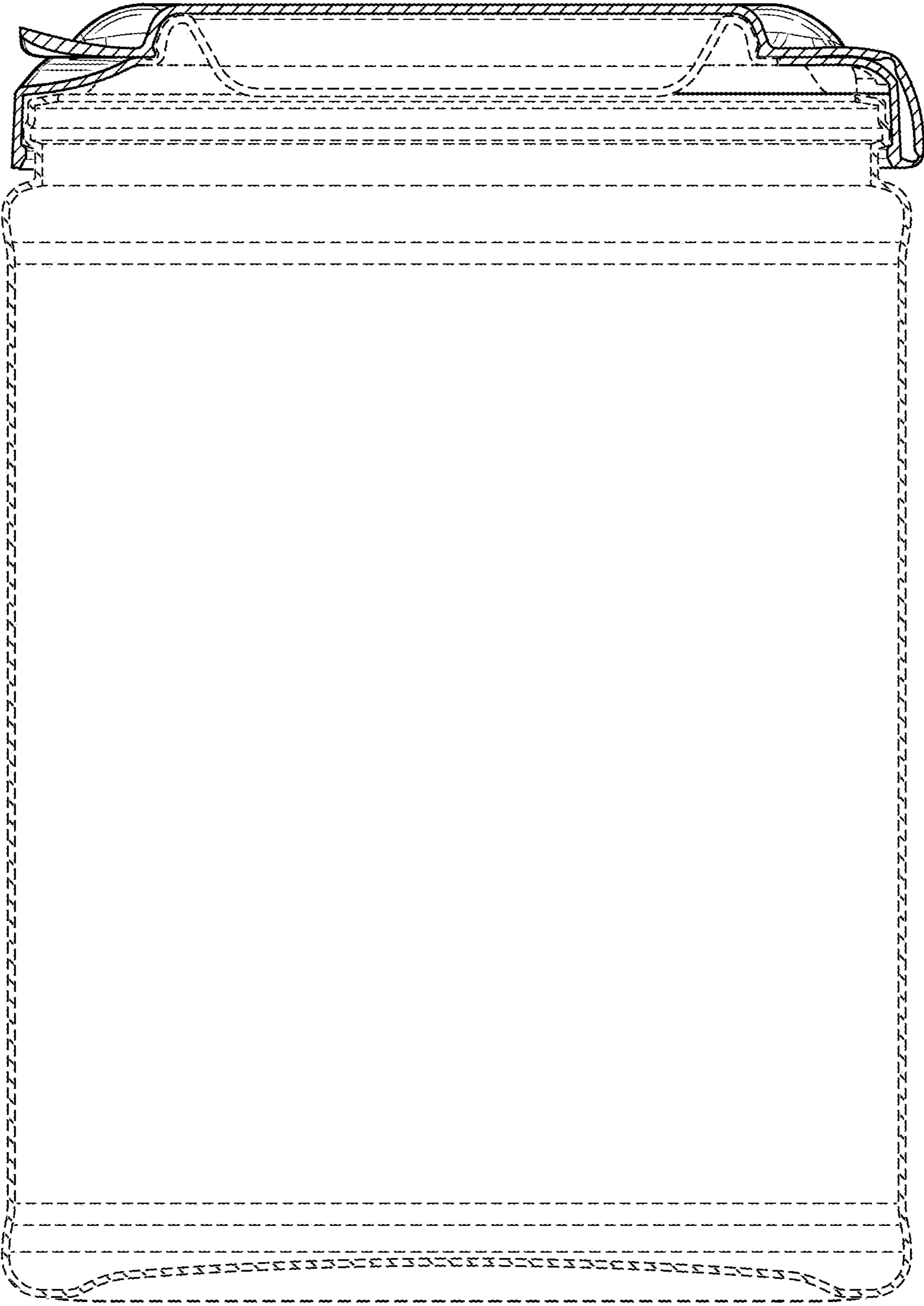


FIG. 7

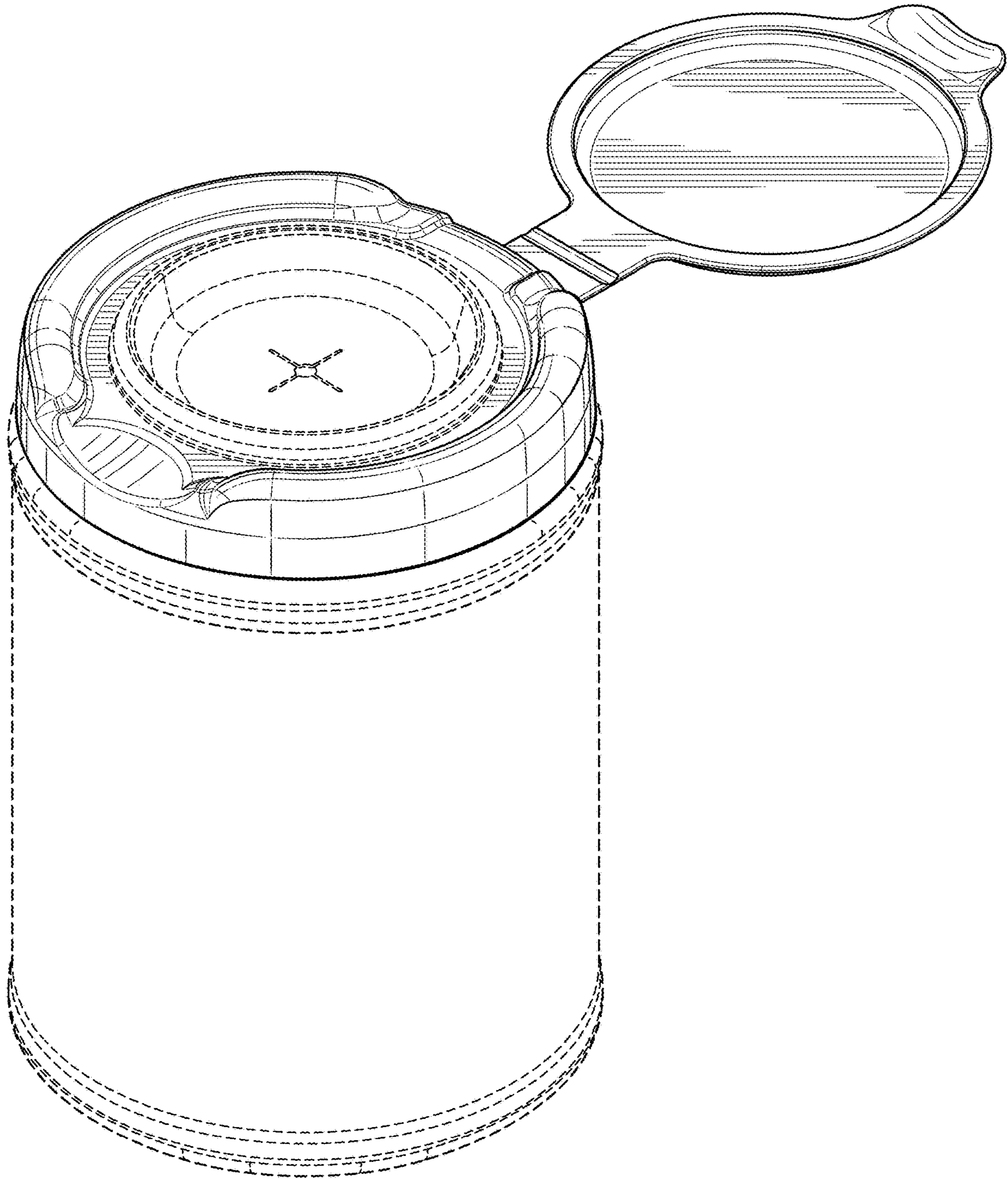


FIG. 8

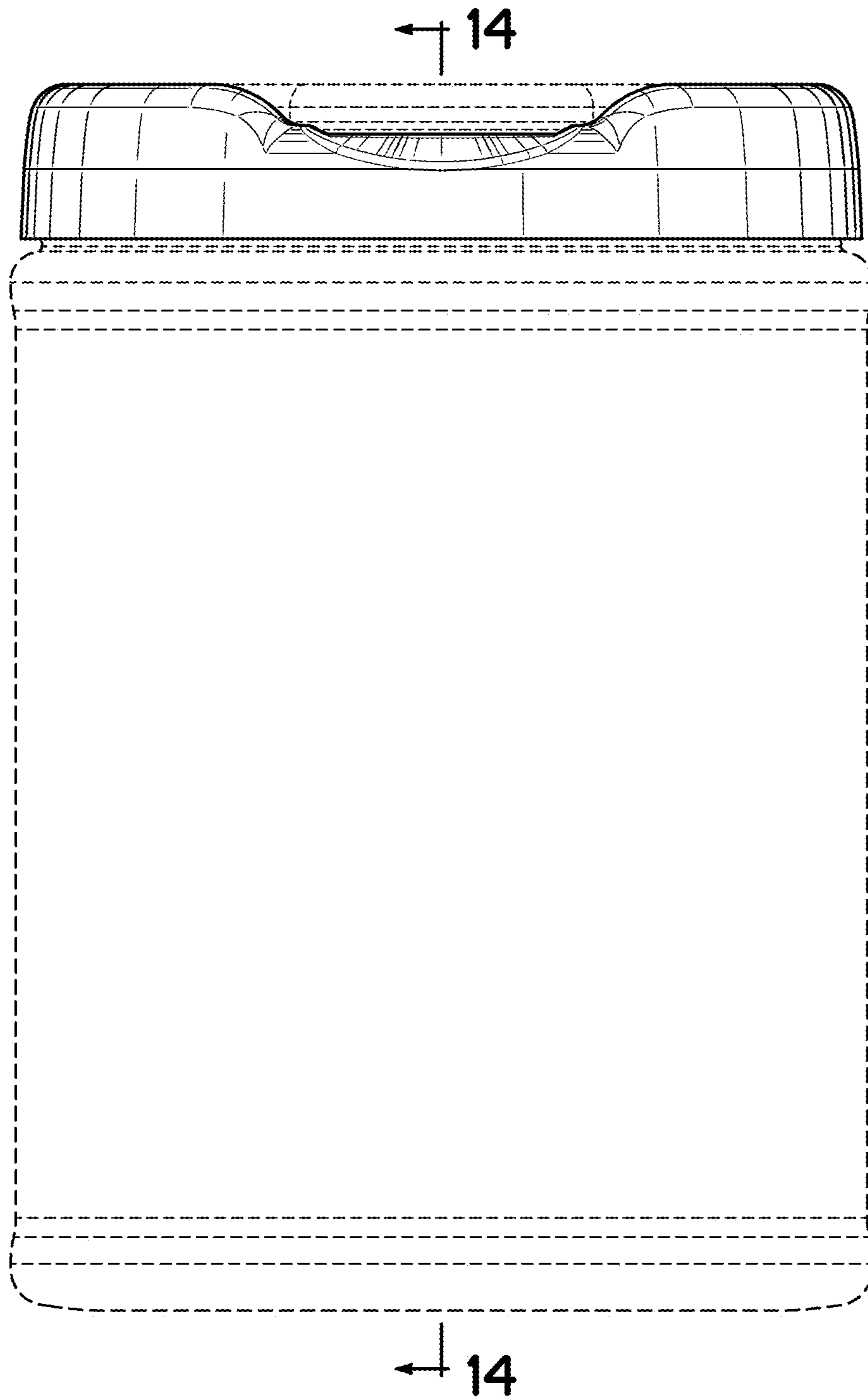


FIG. 9

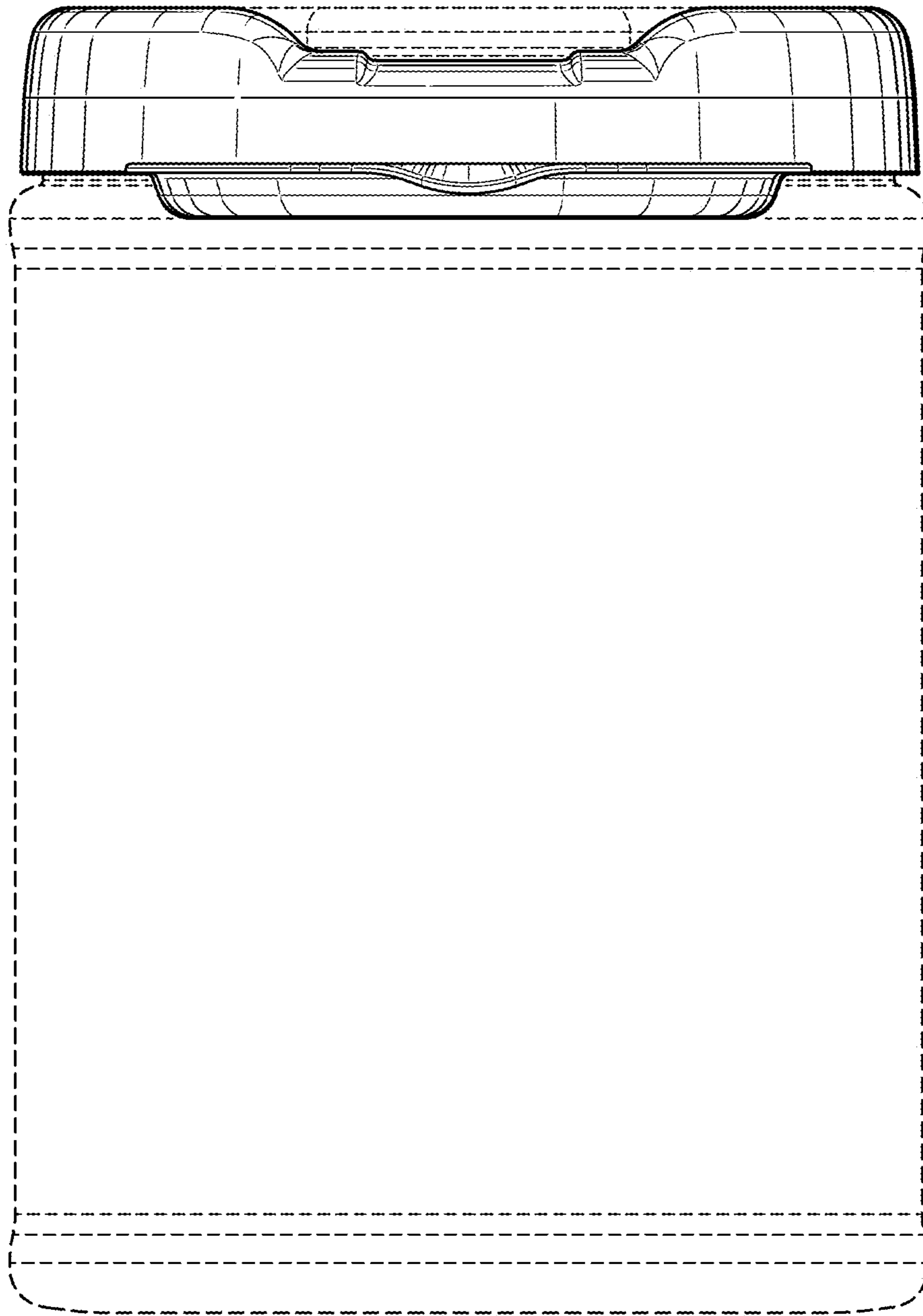


FIG. 10

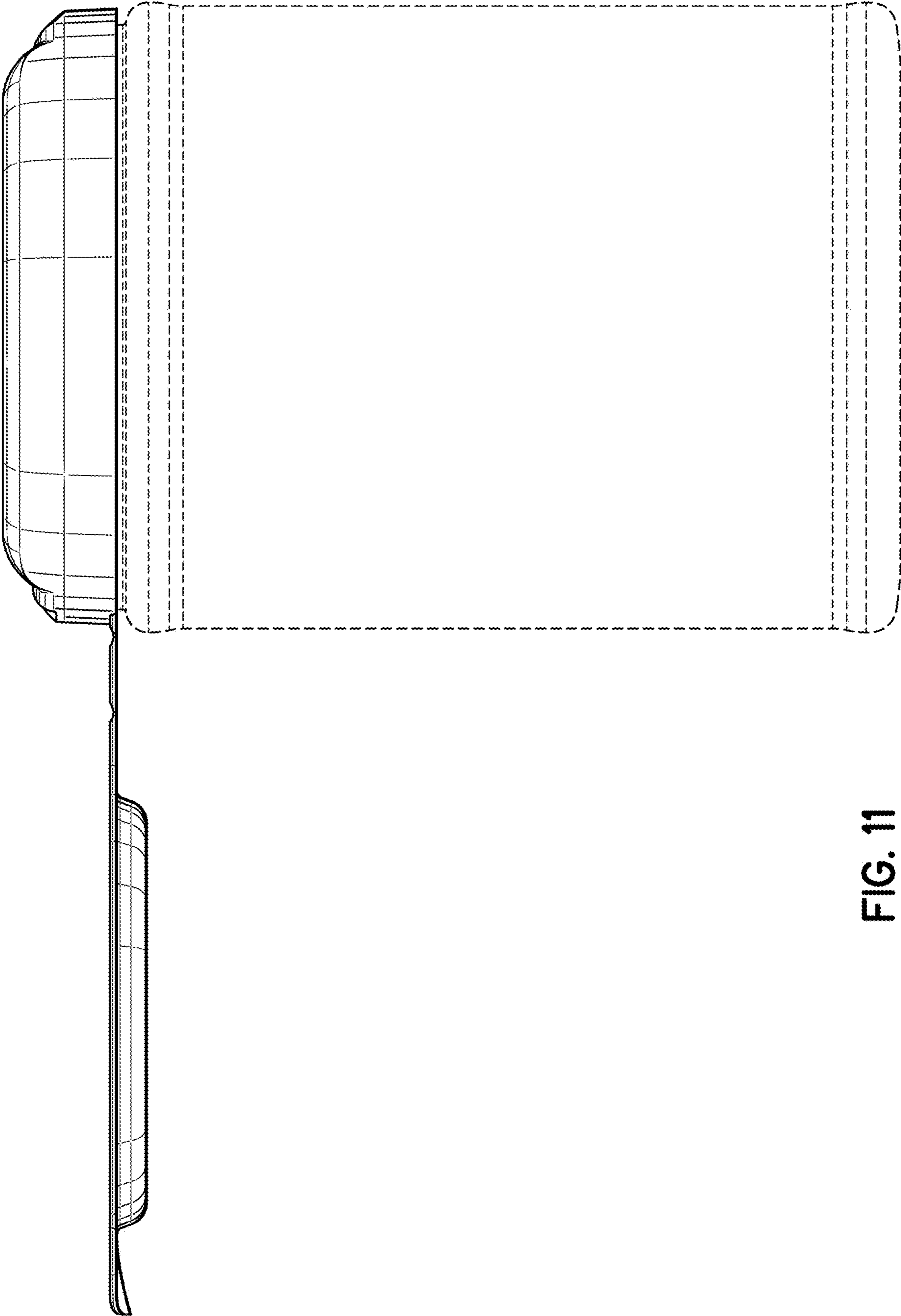


FIG. 11

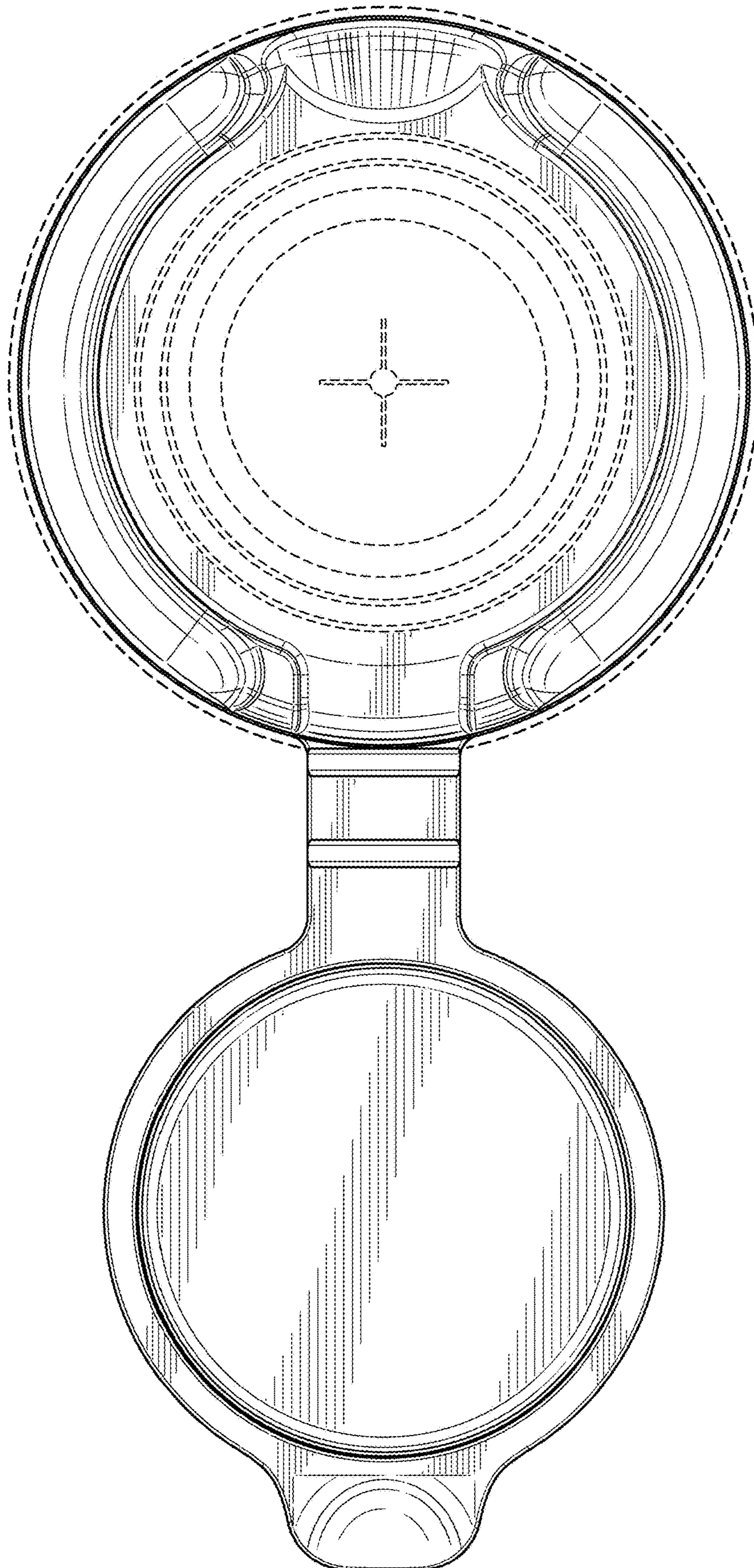


FIG. 12

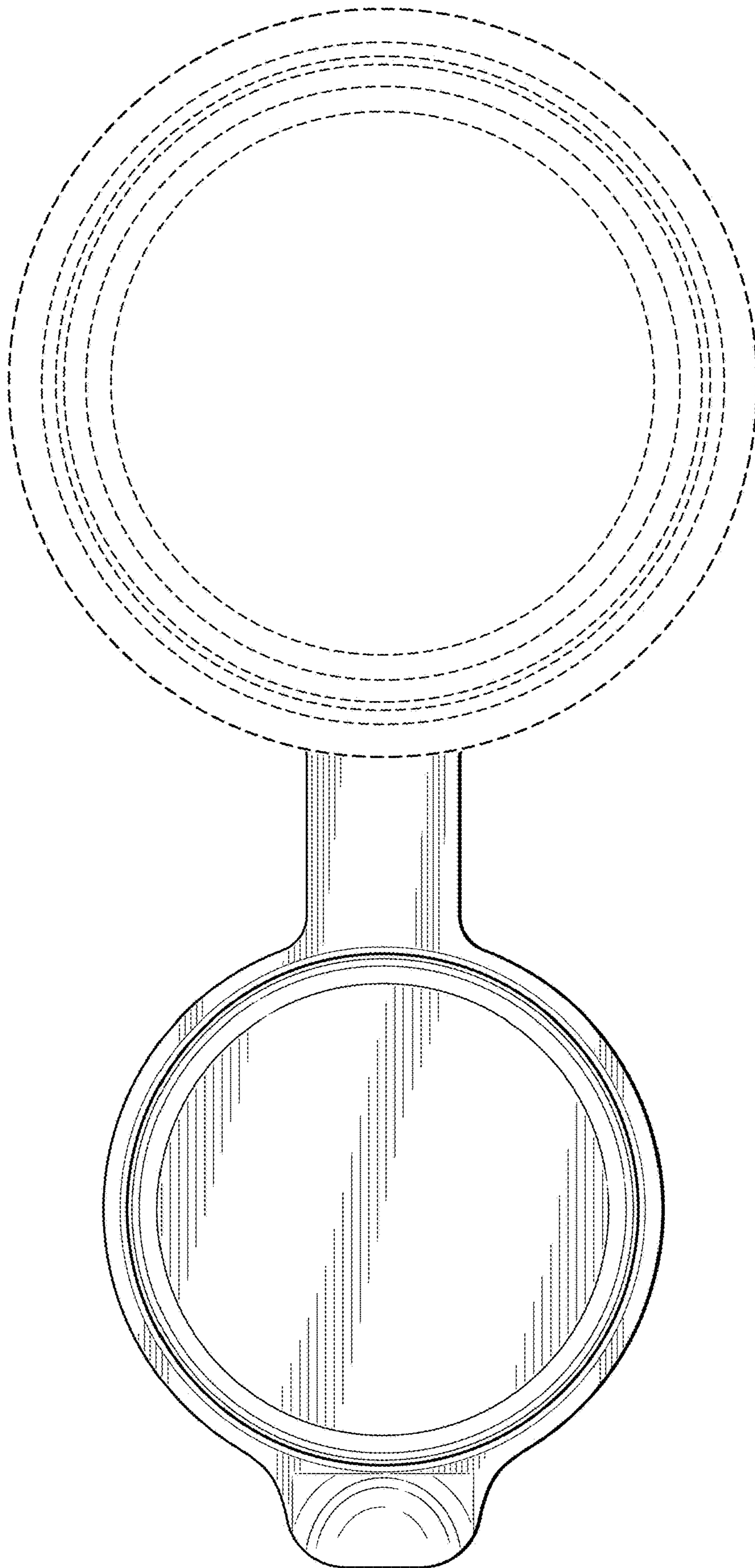


FIG. 13

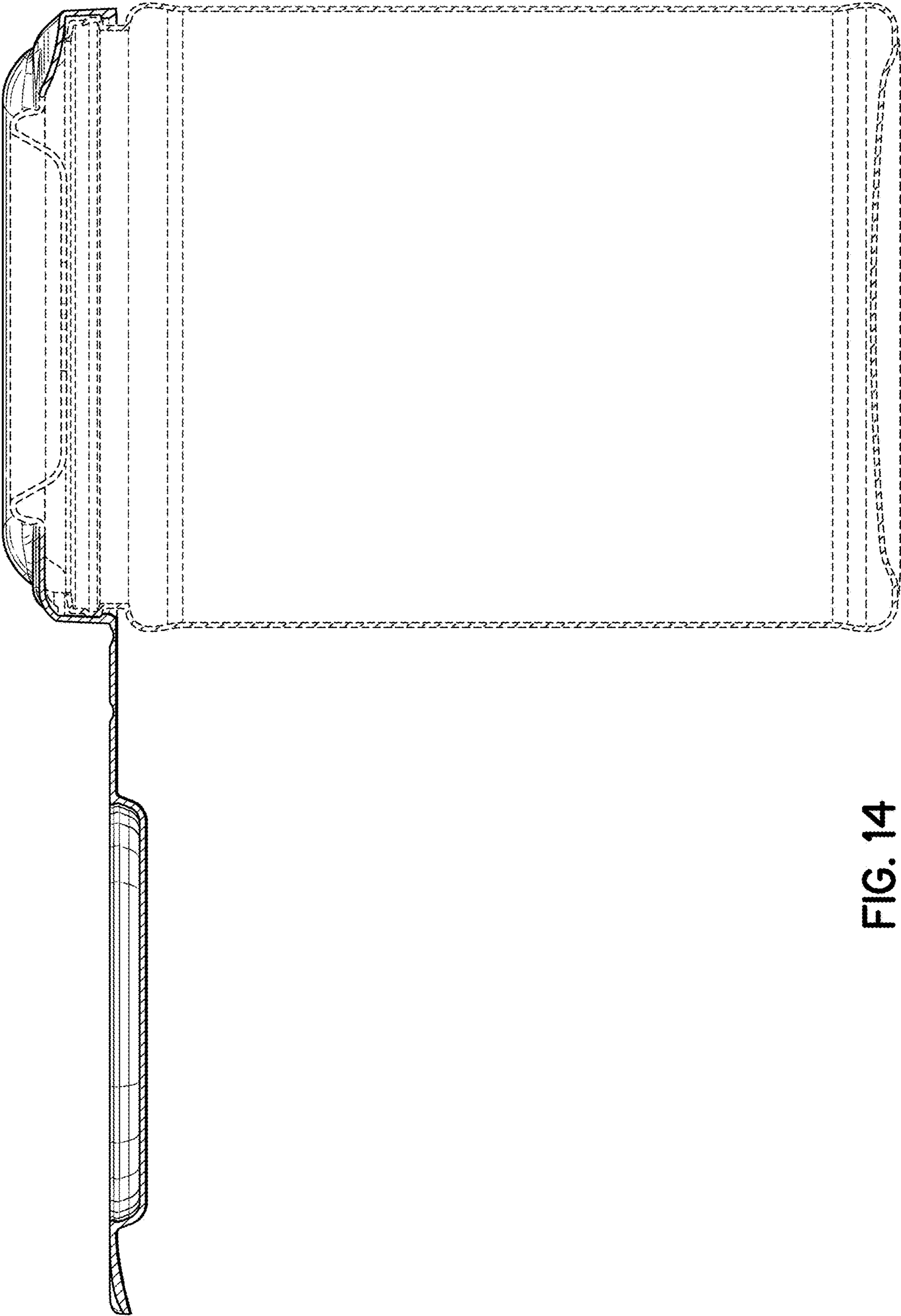


FIG. 14