



US00D968215S

(12) **United States Design Patent** (10) **Patent No.:** **US D968,215 S**
Berkowitz et al. (45) **Date of Patent:** **** Nov. 1, 2022**

(54) **MULTI-COMPARTMENT FOLDABLE BOX**

(71) Applicant: **Insomnia Cookies, LLC**, New York, NY (US)

(72) Inventors: **Seth Berkowitz**, New York, NY (US);
Silas Jimenez, Media, PA (US)

(73) Assignee: **Insomnia Cookies, LLC**, New York, NY (US)

(**) Term: **15 Years**

(21) Appl. No.: **29/768,207**

(22) Filed: **Jan. 28, 2021**

(51) **LOC (13) Cl.** **09-03**

(52) **U.S. Cl.**
USPC **D9/432; D9/433**

(58) **Field of Classification Search**
USPC D9/414–420, 421–431, 432–434, 442, D9/445, 456, 542, 563, 600, 614–624, D9/707, 708, 711, 737, 754, 759; D3/273, 276, 277, 280, 282, 283, 304, D3/309–313; D7/601, 602, 624.2, 709
CPC B65D 5/00; B65D 5/001; B65D 5/0027; B65D 5/0254; B65D 5/18; B65D 5/38; B65D 5/40; B65D 5/2033; B65D 5/48024; B65D 5/6605; B65D 1/22; B65D 1/24; B65D 1/34; B65B 5/06
See application file for complete search history.

(56) **References Cited**

U.S. PATENT DOCUMENTS

- 2,670,124 A * 2/1954 Buchmiller B65D 71/72
294/159
- 3,434,649 A * 3/1969 Goings B65D 71/72
206/561
- 4,757,937 A * 7/1988 Maio B65D 5/5021
229/120.08
- D335,752 S * 5/1993 De La Salud D99/34
- D701,114 S * 3/2014 Baumwald D9/418

(Continued)

OTHER PUBLICATIONS

Insomnia Cookies Tweet. Online, published date Jul. 18, 2020. Retrieved on Mar. 23, 2022 from URL: https://twitter.com/insomniacookies/status/1284518547700559873?lang=cs.*

(Continued)

Primary Examiner — Omeed Agilee

(74) *Attorney, Agent, or Firm* — Thomas | Horstemeyer, LLP

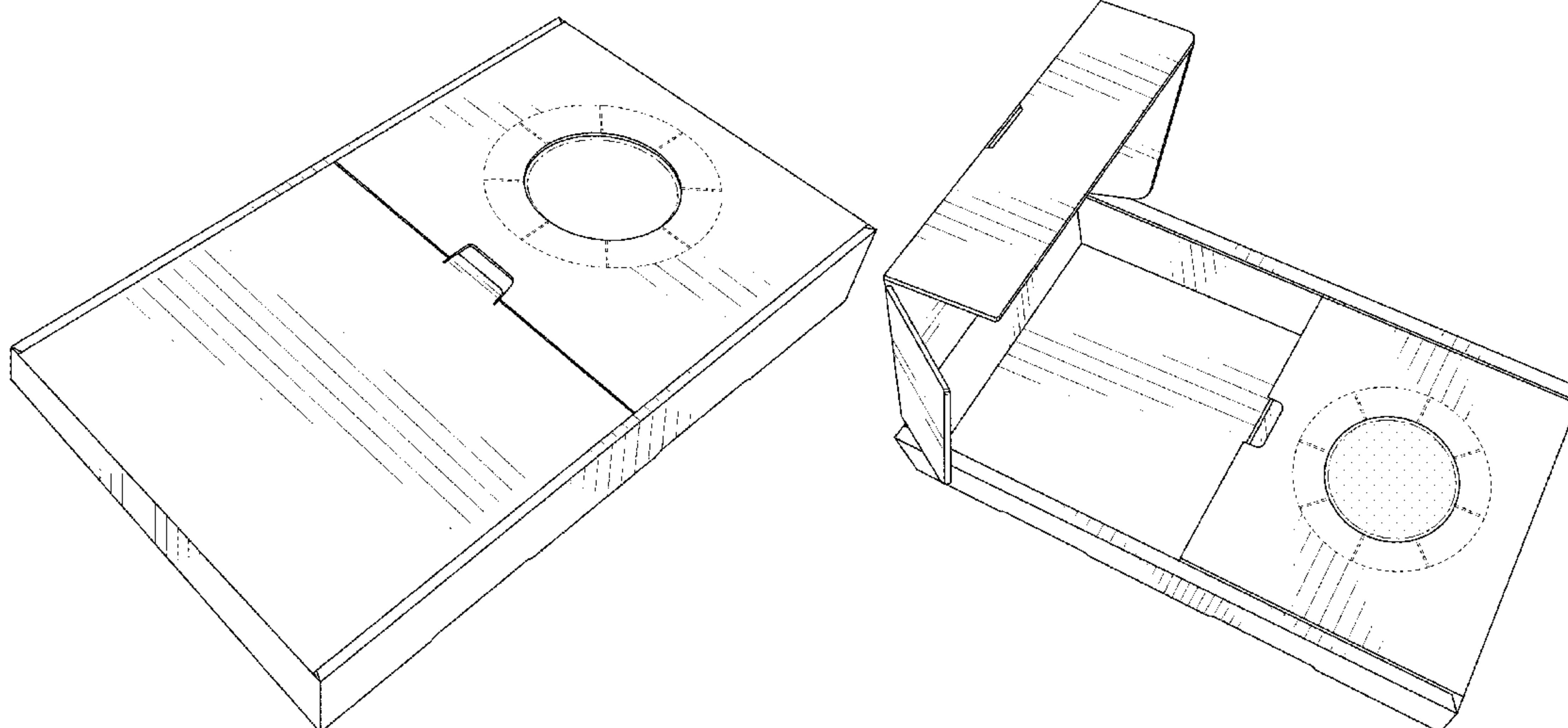
(57) **CLAIM**

The ornamental design for a multi-compartment foldable box, as shown and described.

DESCRIPTION

FIG. 1 is a top perspective view of a multi-compartment foldable box in a folded state showing the new design; FIG. 2 is another top perspective view in a partially folded state; FIG. 3 is a top view in a folded state; FIG. 4 is a bottom view thereof; FIG. 5 is a front view thereof; FIG. 6 is a rear view thereof; FIG. 7 is a left side view thereof; FIG. 8 is a right side view thereof; FIG. 9 is a bottom view thereof in an unfolded state; FIG. 10 is a top view thereof in an unfolded state; FIG. 11 is another top view in a state of use; and, FIG. 12 is another perspective view in a state of use. The short dash lines in the drawings depict portions of the multi-compartment foldable box that form no part of the claimed design. The long dash broken lines in FIGS. 11 and 12 depict environmental subject matter and form no part of the claimed design. The dot dash dot broken lines depict boundaries of the claim and form no part thereof.

1 Claim, 10 Drawing Sheets



(56)

References Cited

U.S. PATENT DOCUMENTS

D720,210 S * 12/2014 Mayer D9/415
D831,478 S * 10/2018 Moon D6/596
D834,936 S * 12/2018 Sanfilippo D9/416
D899,247 S * 10/2020 Kilduff D9/418
D900,638 S * 11/2020 Wettlaufer D9/433
D918,714 S * 5/2021 Blomberg D9/432
D934,040 S * 10/2021 Atea D7/703
2018/0194507 A1 * 7/2018 Thomas B65D 5/48002

OTHER PUBLICATIONS

HOMEMAXS 12pcs Christmas Cookie Boxes High Quality Kraft Paper Boxes with 22m Ribbons Gift Boxes Candies Boxes. Online, published date Nov. 23, 2021. Retrieved on Mar. 23, 2022 from URL: https://www.walmart.com/ip/HOMEMAXS-12pcs-Christmas-Cookie-Boxes-High-Quality-Kraft-Paper-Boxes-with-22m-Ribbons-Gift-Boxes-Candies-Bo.*

* cited by examiner

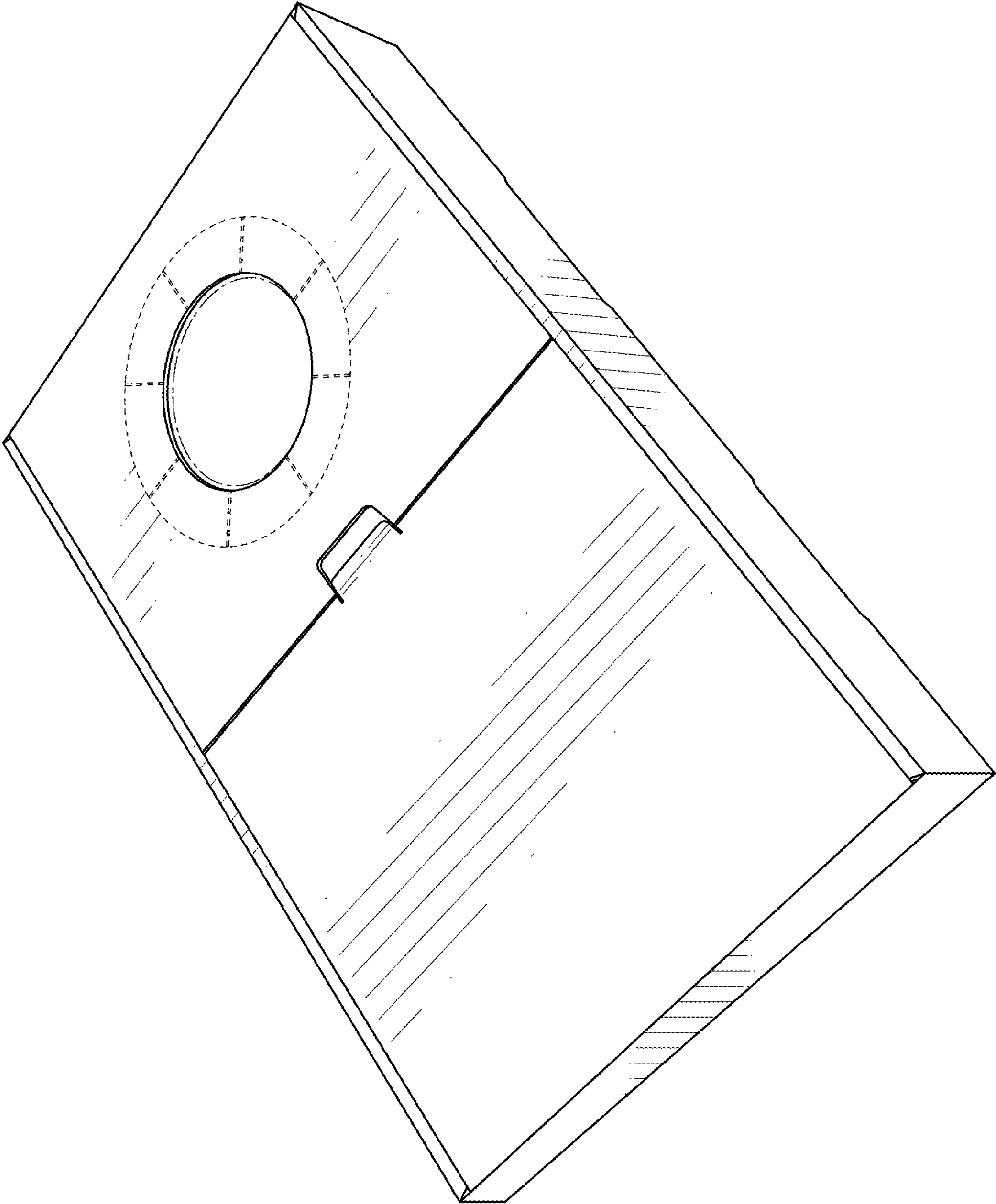


FIG. 1

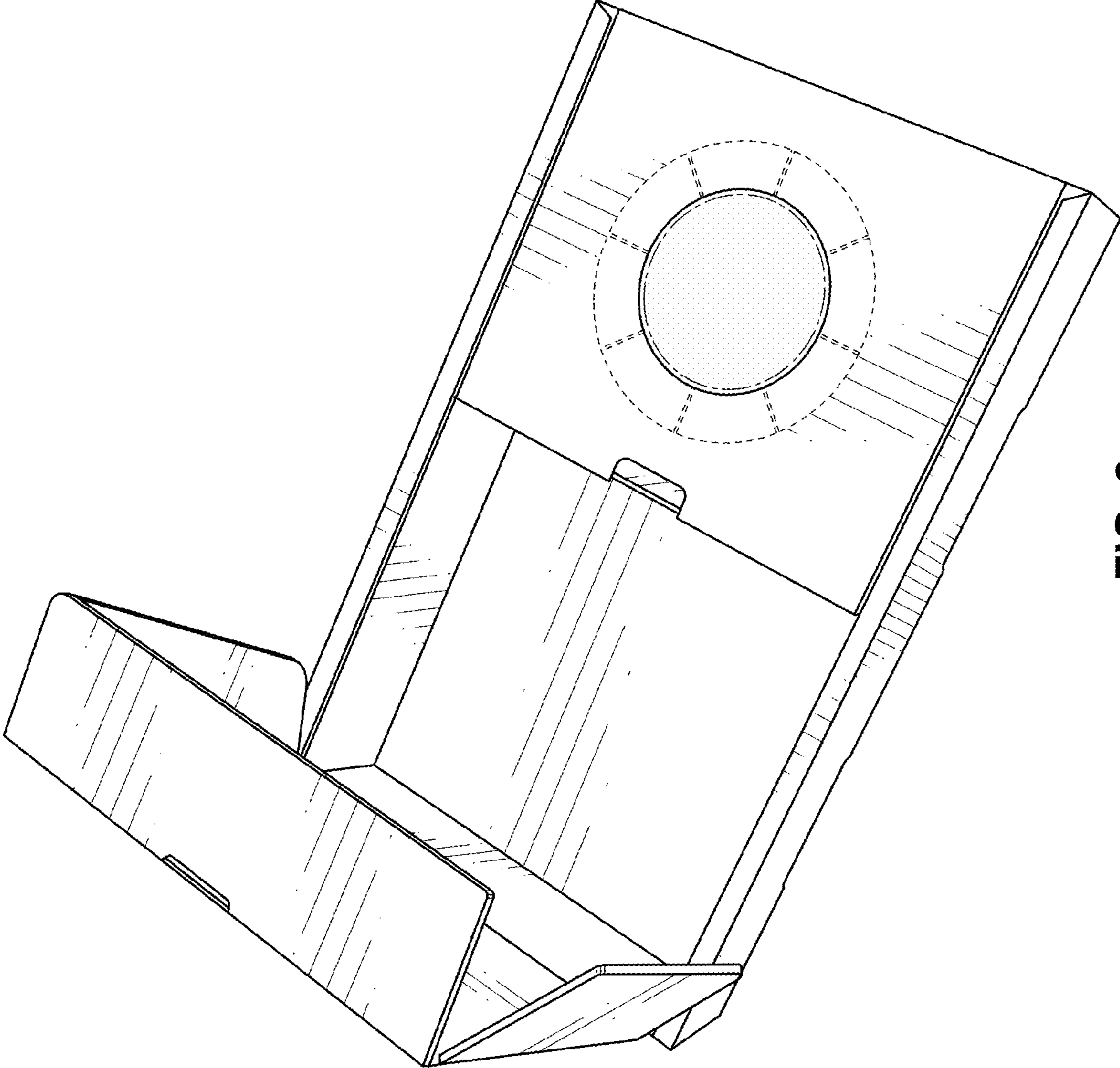


FIG. 2

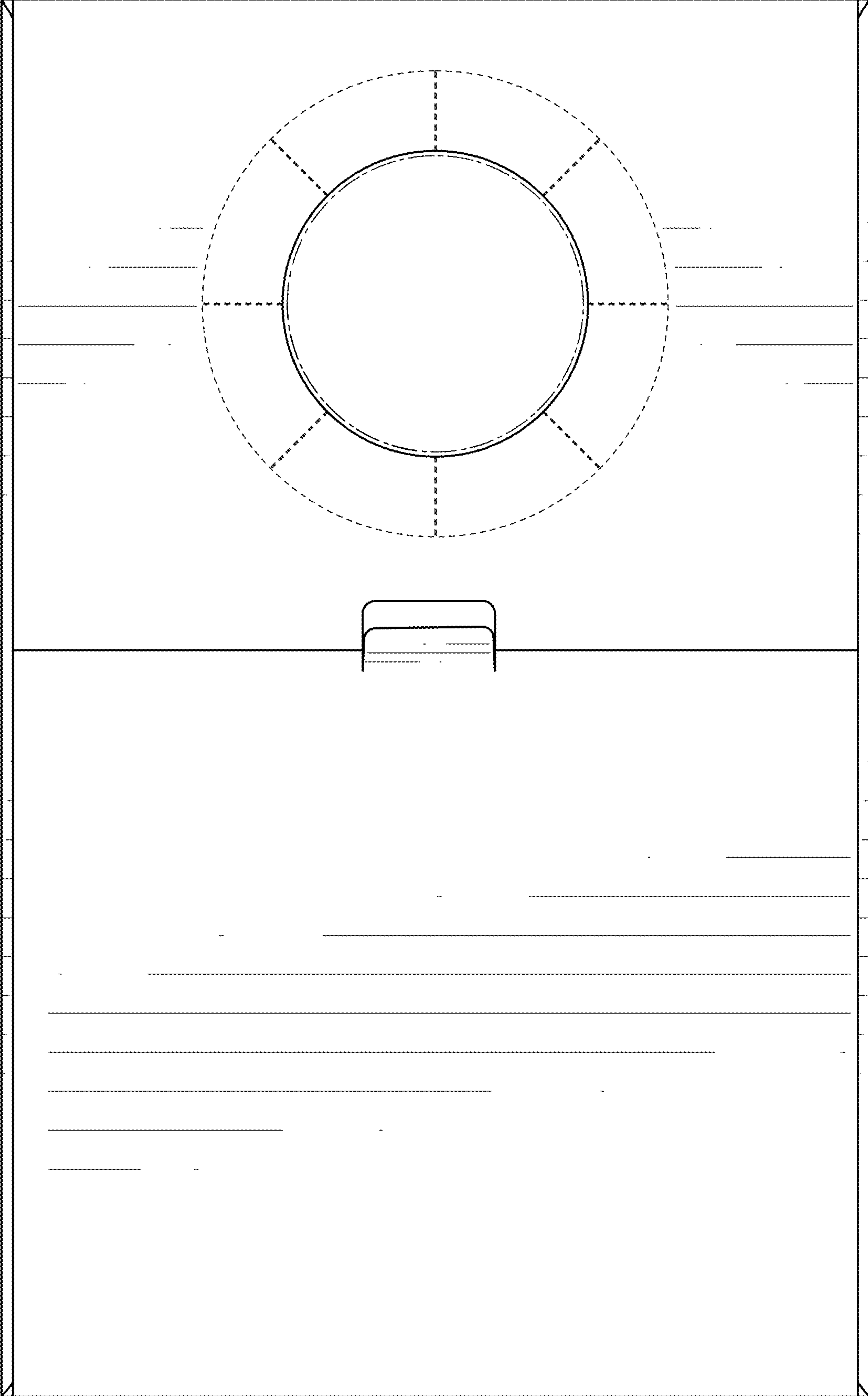


FIG. 3

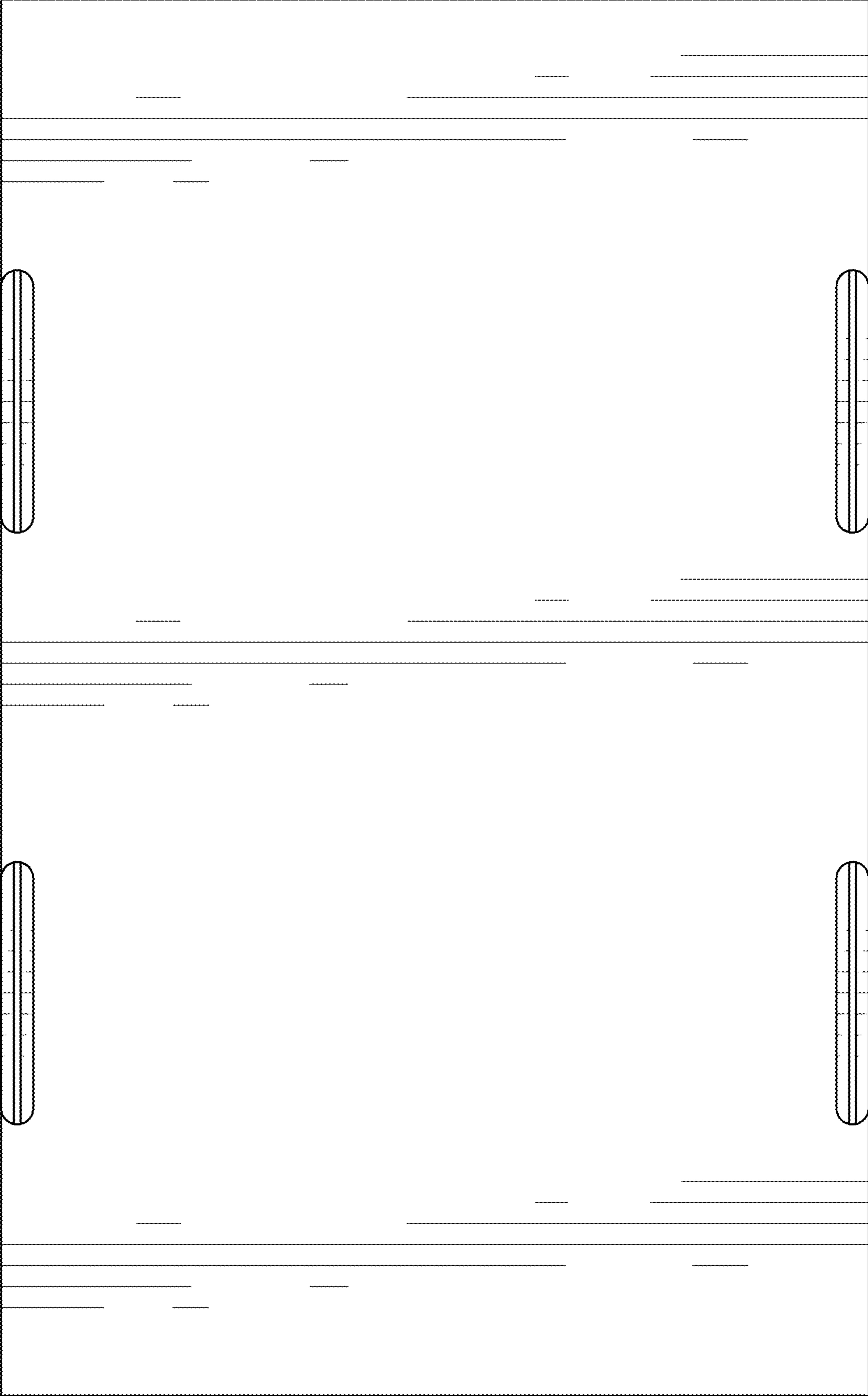


FIG. 4

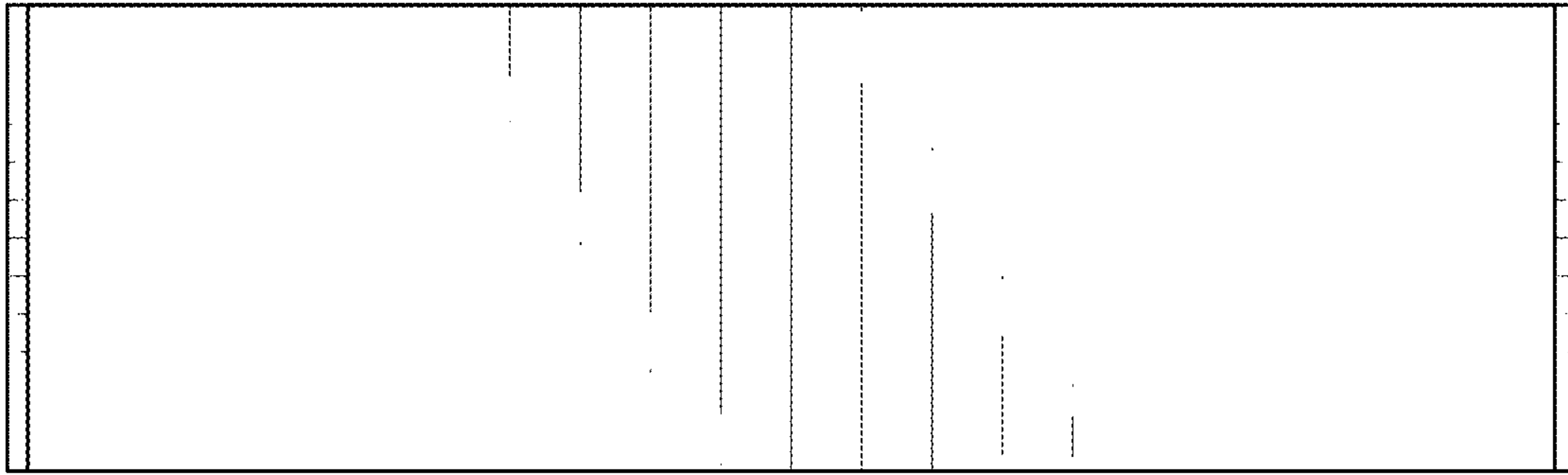


FIG. 5

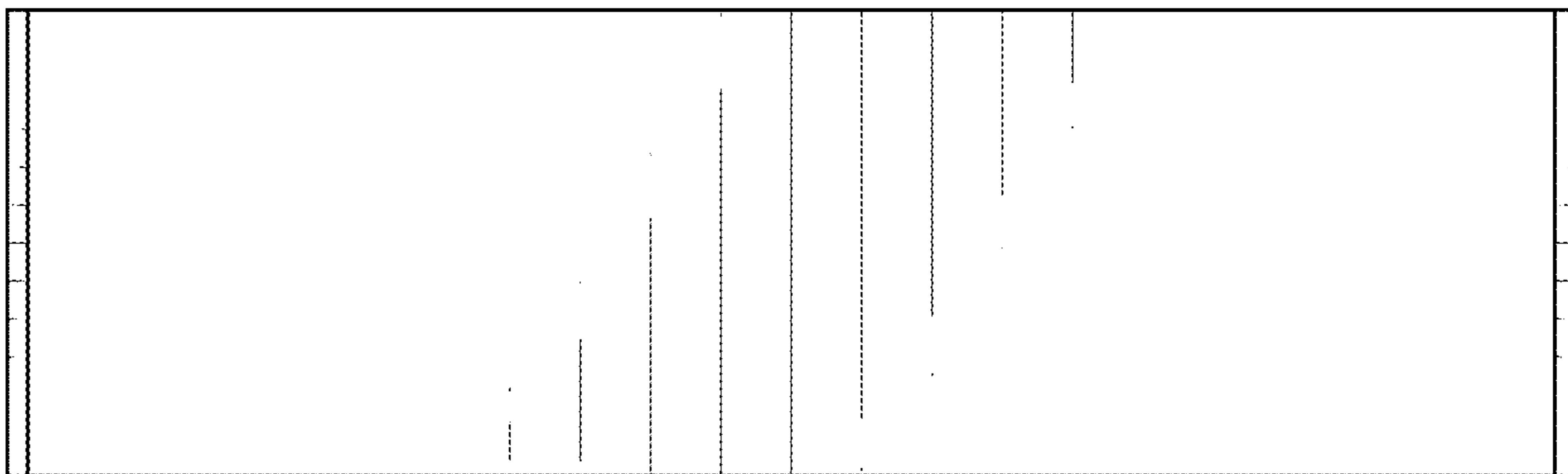


FIG. 6

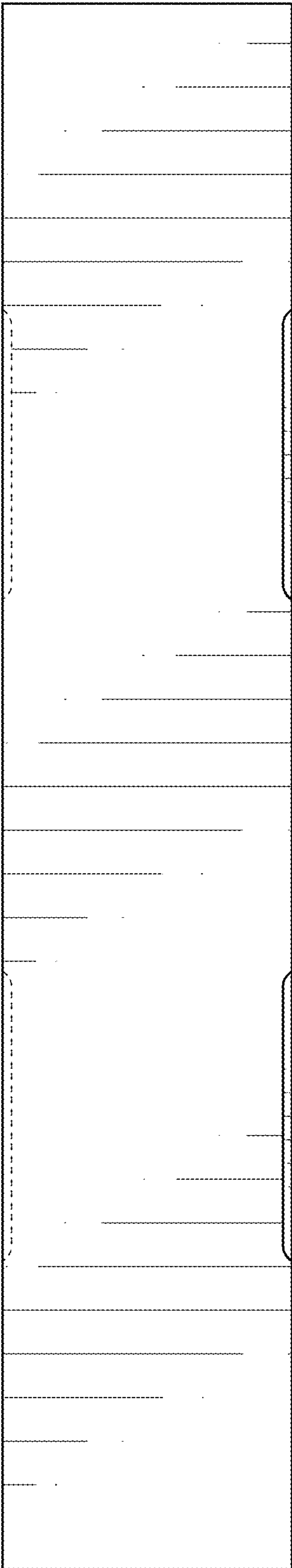


FIG. 7

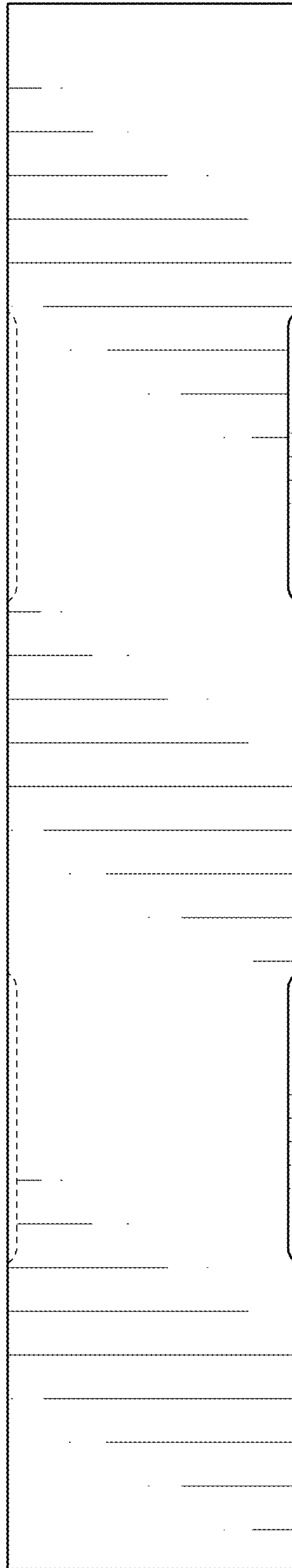


FIG. 8

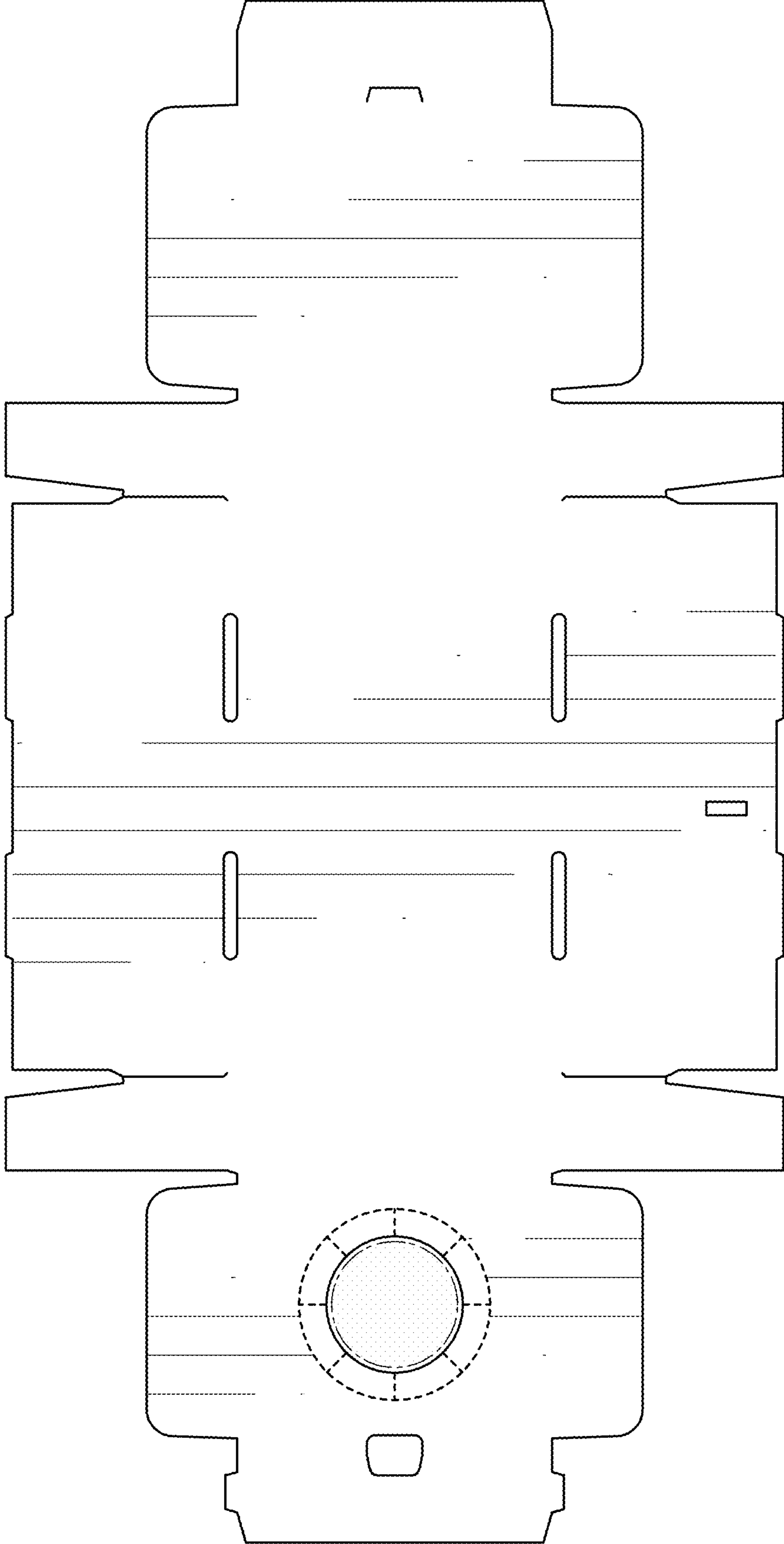


FIG. 9

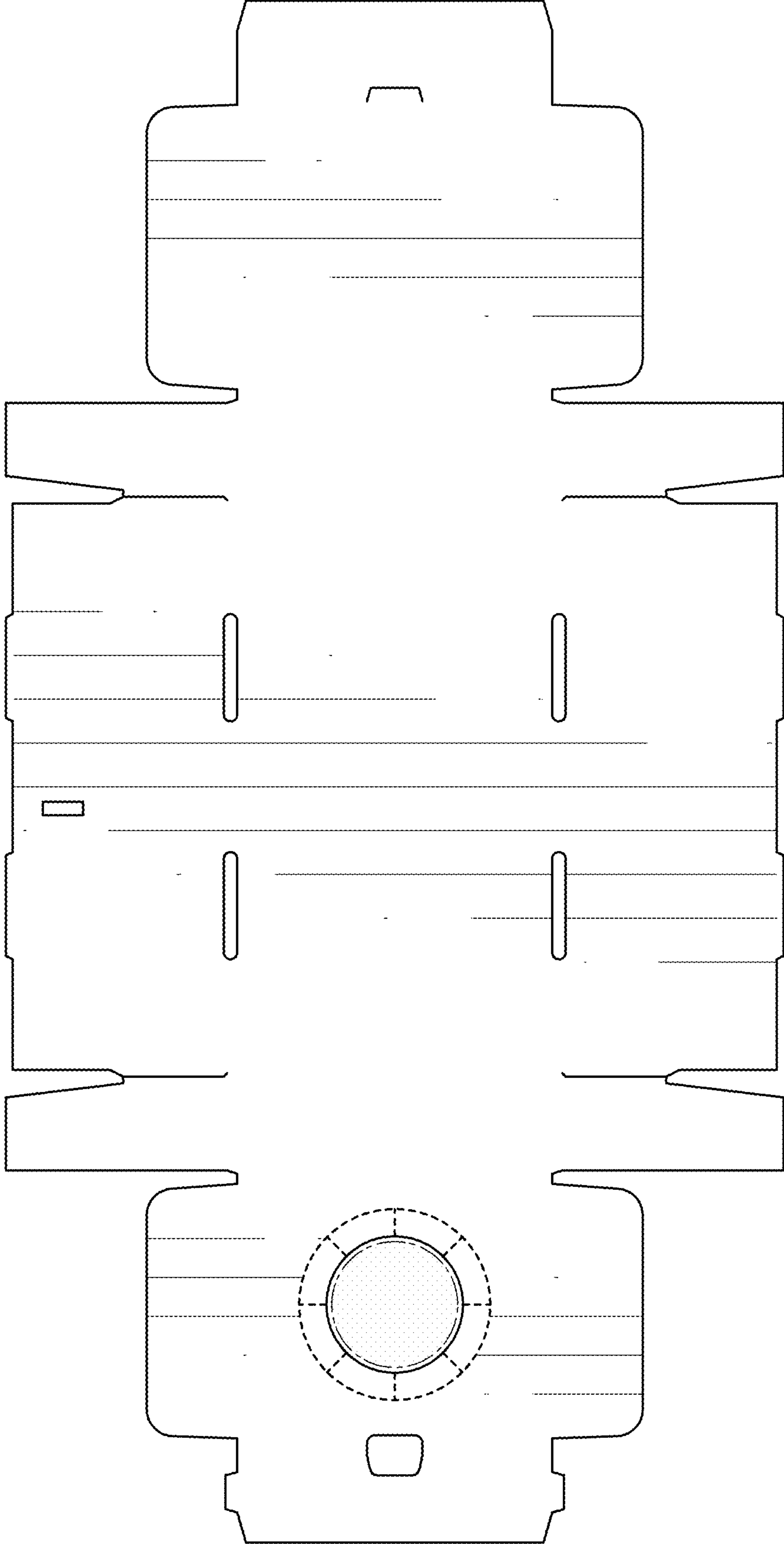


FIG. 10

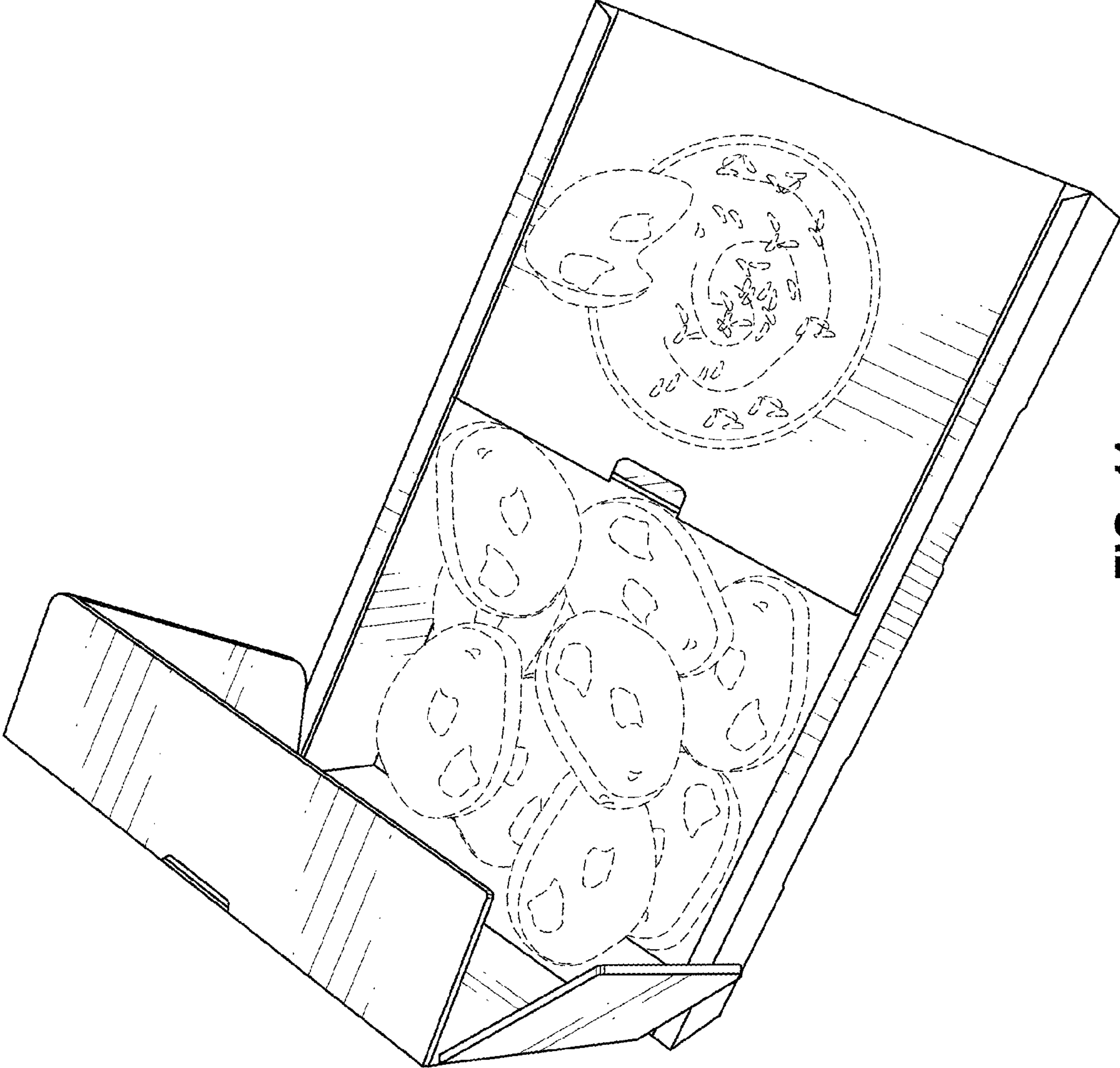


FIG. 11



FIG. 12