



US00D968212S

(12) **United States Design Patent** (10) **Patent No.:** **US D968,212 S**
Cox et al. (45) **Date of Patent:** **** Nov. 1, 2022**

(54) **FOOD TRAY**
(71) Applicant: **Phoenix Packaging Operations, LLC**,
Dublin, VA (US)
(72) Inventors: **Katherine Simmons Cox**, Dublin, VA
(US); **John Sierra**, Dublin, VA (US);
Marbeli Luces, Dublin, VA (US)

D382,796 S 8/1997 Mangla
D386,081 S * 11/1997 Hayes D9/425
D389,056 S 1/1998 Hayes et al.
D392,881 S 3/1998 Bulcher et al.
5,730,313 A 3/1998 Hayes et al.
D394,807 S * 6/1998 Krupa D9/425
(Continued)

(73) Assignee: **Phoenix Packaging Operations, LLC**,
Dublin, VA (US)
(**) Term: **15 Years**

(21) Appl. No.: **29/738,676**

(22) Filed: **Jun. 18, 2020**

(51) **LOC (13) Cl.** **09-03**

(52) **U.S. Cl.**
USPC **D9/429; D9/425**

(58) **Field of Classification Search**
USPC D9/414, 420-427, 430-432, 434, 435,
D9/443, 452, 453, 499, 429, 416, 417,
D9/428; D7/550.1, 601, 602, 759, 760,
D7/761, 359, 400, 608
CPC . B65D 1/34; B65D 81/34; B65D 1/26; B65D
1/40; B65D 5/243; B65D 81/3453; B65D
2581/34; B65D 2581/3404; B65D
2581/3456

See application file for complete search history.

(56) **References Cited**

U.S. PATENT DOCUMENTS

3,253,762 A 5/1966 Gaunt
D224,587 S 8/1972 Jewell
D276,216 S 11/1984 Michaud
4,535,889 A 8/1985 Terauds
D280,590 S 9/1985 Schrage
D312,024 S 11/1990 Antoni et al.
4,974,738 A 12/1990 Kidd et al.
5,423,453 A 6/1995 Fritz
D376,314 S 12/1996 Krupa

OTHER PUBLICATIONS

Hubert. Anchor packaging Chicken Roaster Black Plastic Food Base and Clear Lid. Publication date unavailable. Visited Feb. 8, 2022. <https://www.hubert.com/product/90630/Anchor-Packaging-4110750-Chicken-Roaster-Black-Plastic-Food-Base-and-Clear-Lid---9-12L-x-7W-x-3-78H> (Year: 0).*

(Continued)

Primary Examiner — Darcey E Gottschalk
Assistant Examiner — Vanessa M. Pursley
(74) *Attorney, Agent, or Firm* — Polsinelli, P.C.

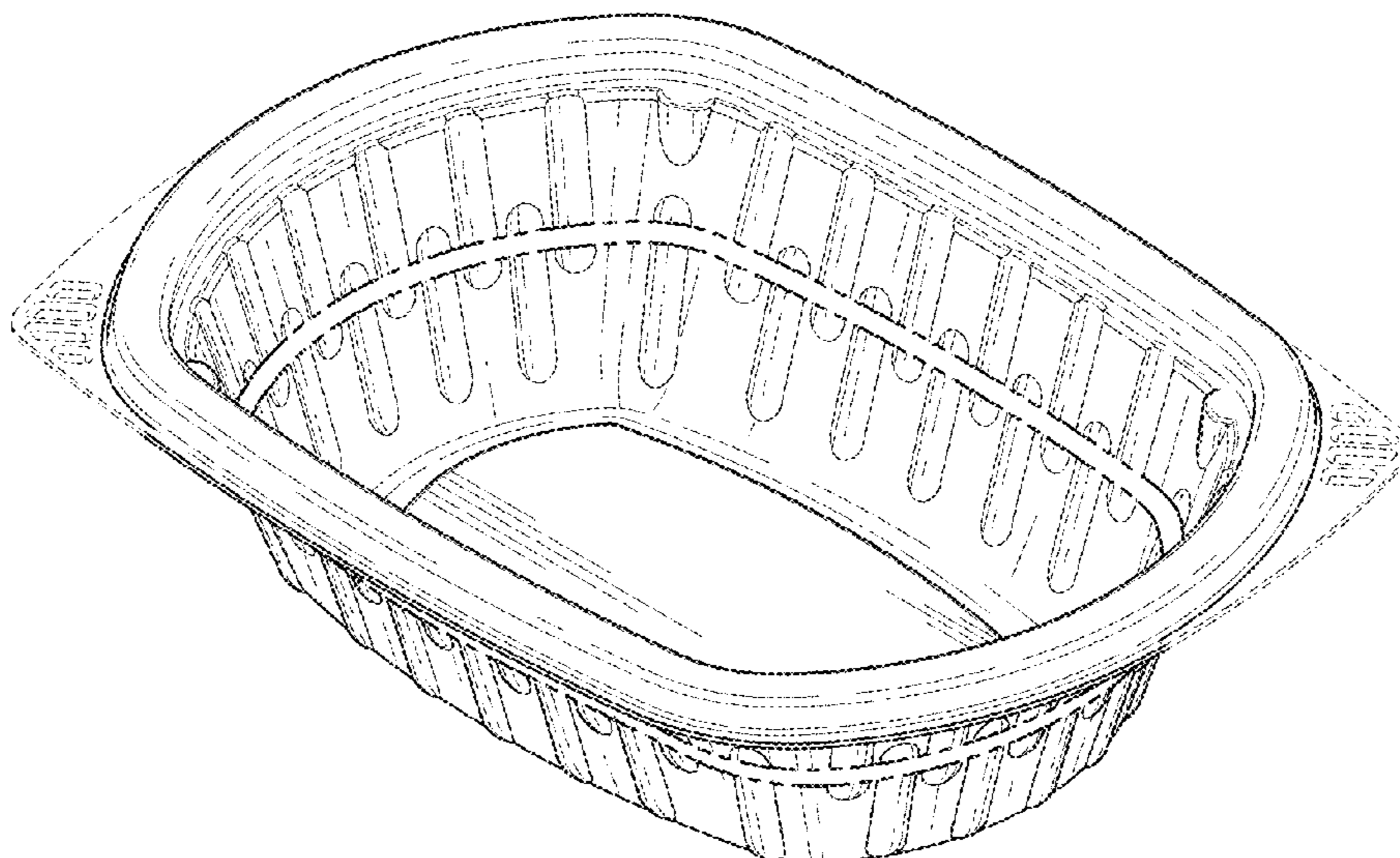
(57) **CLAIM**

The ornamental design for a food tray, as shown and described.

DESCRIPTION

FIG. 1 is a perspective view of a food tray showing our new design;
FIG. 2 is a top view thereof;
FIG. 3 is a front elevation view thereof;
FIG. 4 is a rear elevation view thereof;
FIG. 5 is a left side elevation view thereof;
FIG. 6 is a right side elevation view thereof; and,
FIG. 7 is a bottom plan view thereof.
In FIG. 7, the evenly-spaced broken lines represent portions of a food tray that form no part of the claim.
The food tray is shown with a symbolic break in its height via dash-dot-dot-dash lines. The appearance of any portion of the article between the dash-dot-dot-dash lines forms no part of the claimed design.

1 Claim, 3 Drawing Sheets



(56)

References Cited

U.S. PATENT DOCUMENTS

D409,909 S * 5/1999 Hayes D9/425
 D409,910 S * 5/1999 Hayes D9/425
 D446,719 S 8/2001 Garraway
 D461,123 S 8/2002 Hayes et al.
 D470,048 S 2/2003 Buchalski et al.
 D513,383 S * 1/2006 Glander D9/453
 D514,443 S 2/2006 Sarnoff
 D536,992 S * 2/2007 Garg D9/425
 7,228,986 B2 6/2007 Hayes et al.
 D553,490 S 10/2007 Yang
 D570,681 S 6/2008 Hussain et al.
 D604,604 S * 11/2009 Strange D9/425
 D605,936 S * 12/2009 Durdon D9/425
 D675,919 S 2/2013 Krueger
 D677,152 S * 3/2013 Miller D9/424
 D678,051 S 3/2013 Krueger et al.
 D679,585 S * 4/2013 Krueger D9/425
 D679,587 S 4/2013 Krueger et al.
 8,701,923 B2 4/2014 Anhalt et al.
 D732,896 S 6/2015 Ludeman et al.
 D742,218 S * 11/2015 Astorga D9/425
 D744,329 S * 12/2015 Ambelang D9/425
 D770,271 S * 11/2016 McBride D9/424
 9,546,033 B2 1/2017 Everingham

D778,115 S 2/2017 Strachan
 D778,154 S 2/2017 Strachan
 D778,155 S 2/2017 Strachan
 D778,722 S 2/2017 Strachan
 D794,378 S 8/2017 Sarnoff et al.
 D805,387 S 12/2017 Lin
 D807,120 S 1/2018 Epstein
 D807,704 S 1/2018 Epstein
 D868,579 S 12/2019 Wouters
 D886,583 S * 6/2020 Hirst D9/425
 D937,081 S * 11/2021 Yamane D9/425
 D939,342 S * 12/2021 Simms, II D9/425
 D949,009 S * 4/2022 Smith D9/425
 D955,874 S * 6/2022 Marino D9/425
 2016/0214756 A1 7/2016 Hodge et al.
 2018/0016066 A1 * 1/2018 Strachan B65D 1/34

OTHER PUBLICATIONS

Made-in-China. Plastic Roast Chicken Durable Microwave Safe Plastic Containers. Publication date unavailable. Visited Feb. 8, 2022. <https://jianxinplastic.en.made-in-china.com/product/avjnhxdZCtUb/China-Plastic-Roast-Chicken-Durable-Microwave-Safe-Plastic-Containers-PP-Disposable-Food-Container.html> (Year: 0).*

* cited by examiner

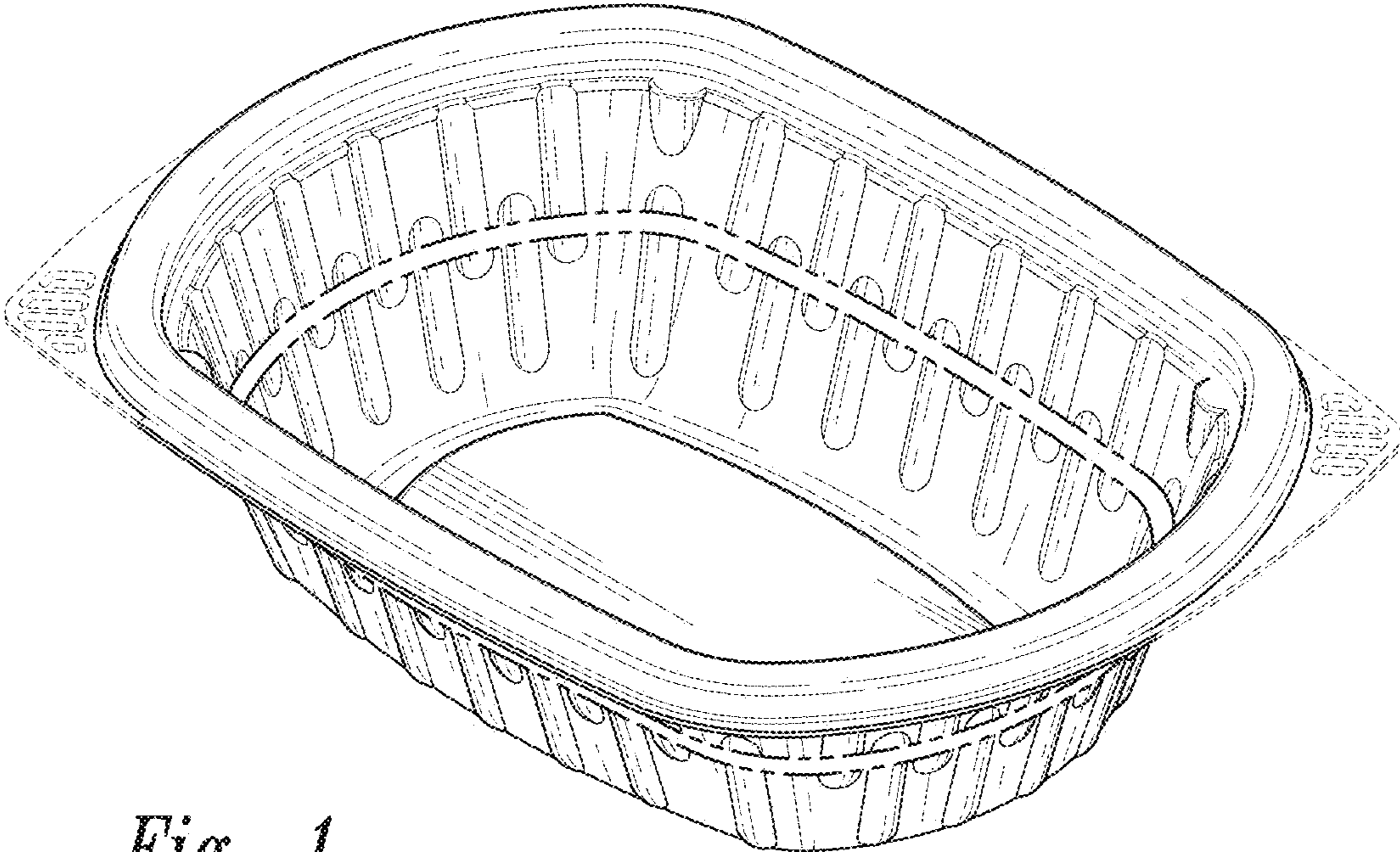


Fig. 1

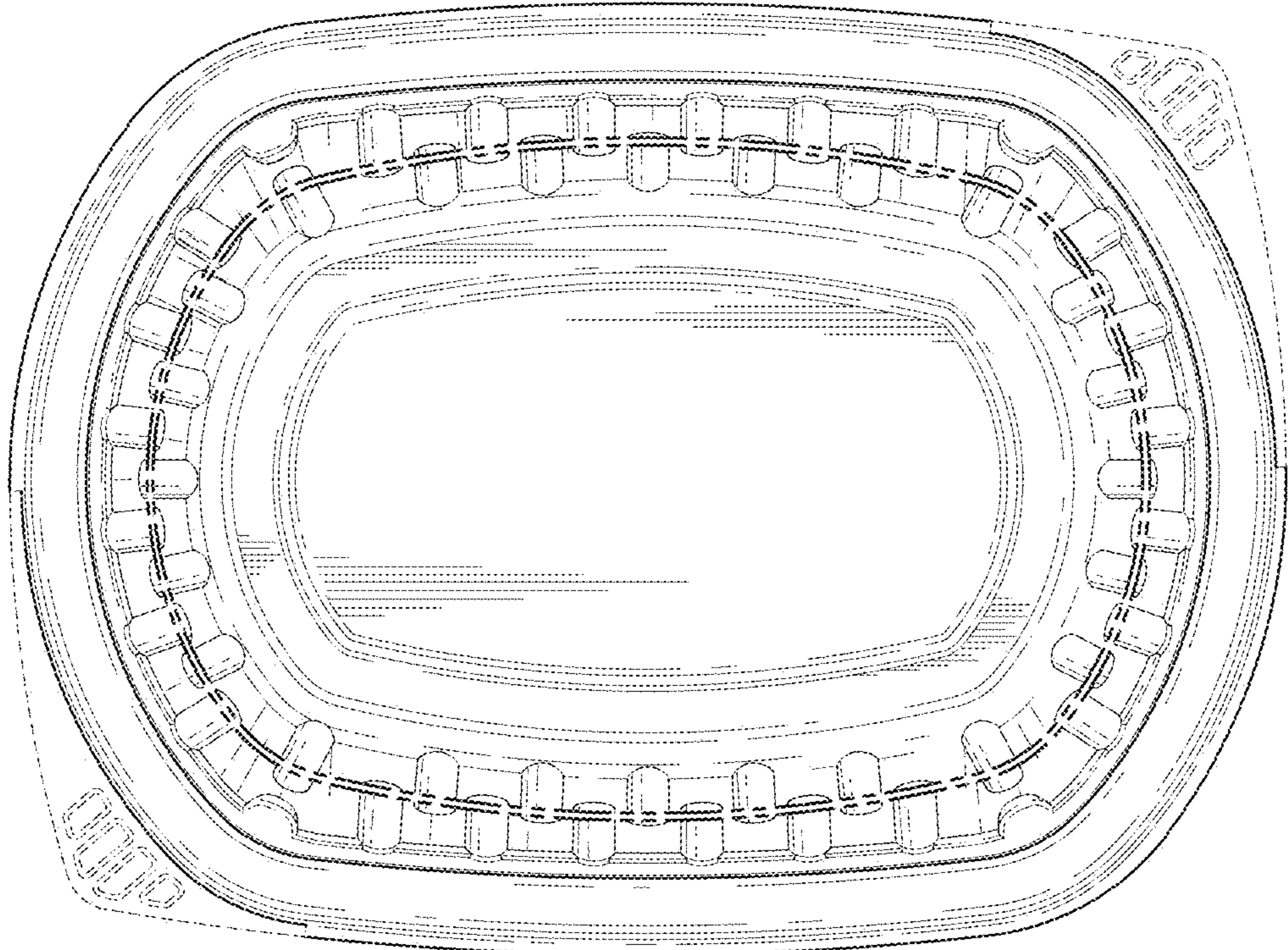


Fig. 2

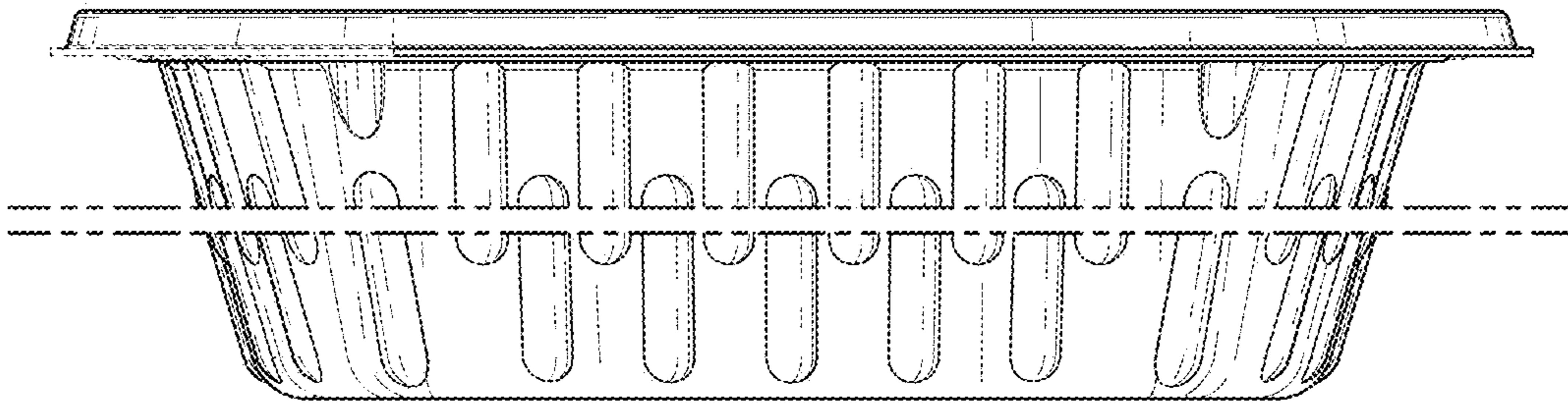


Fig. 3

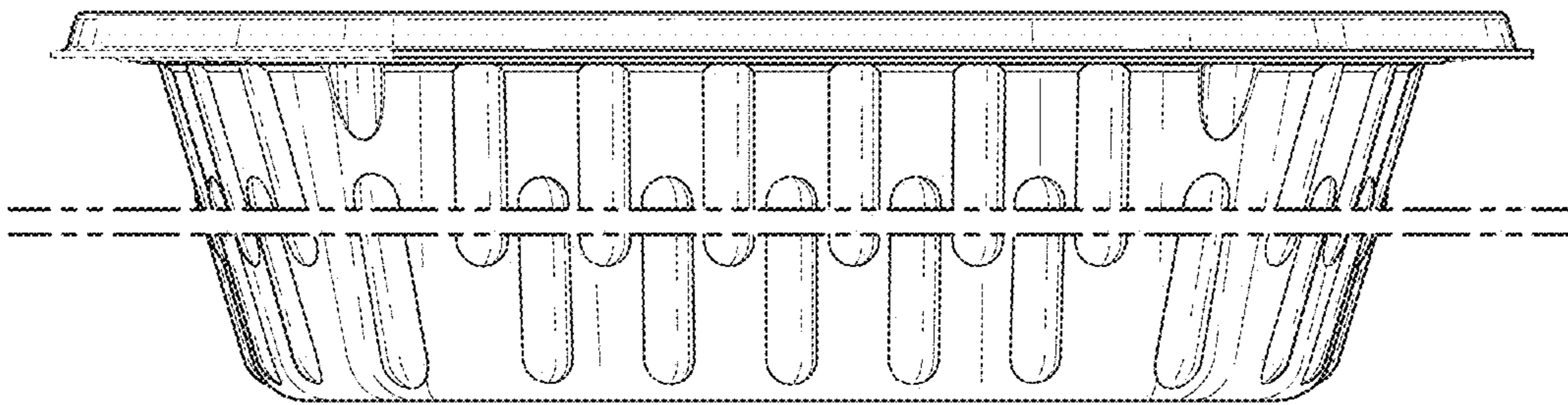


Fig. 4

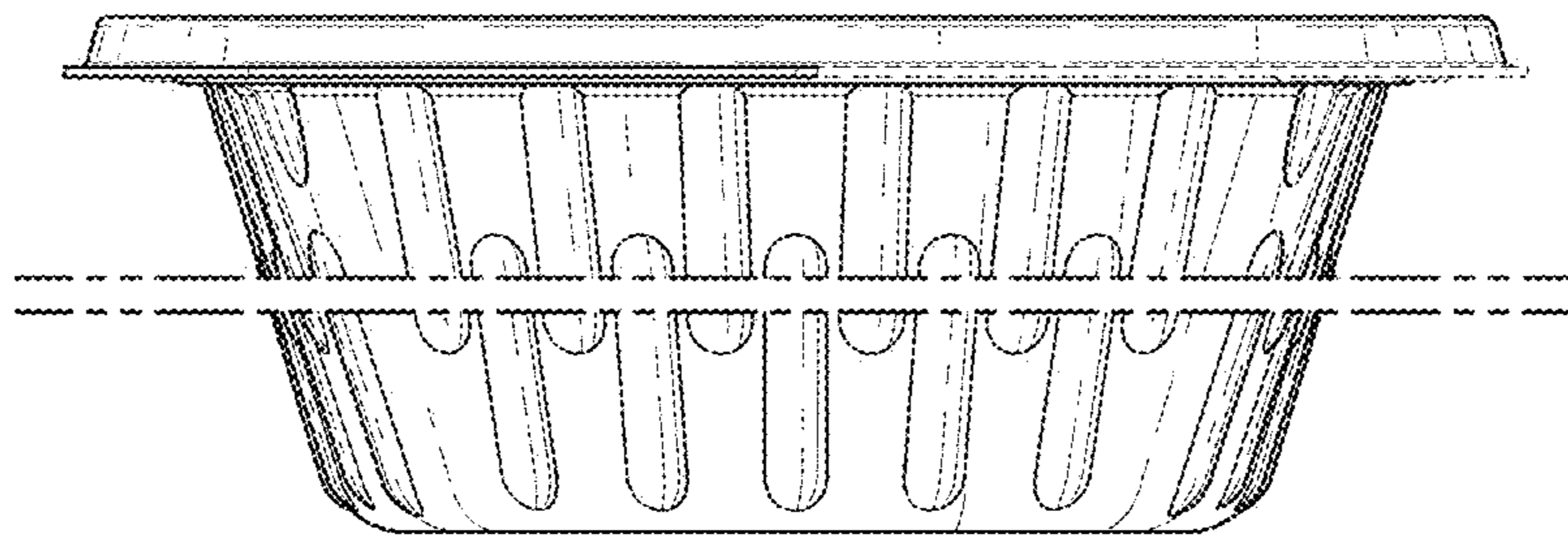


Fig. 5

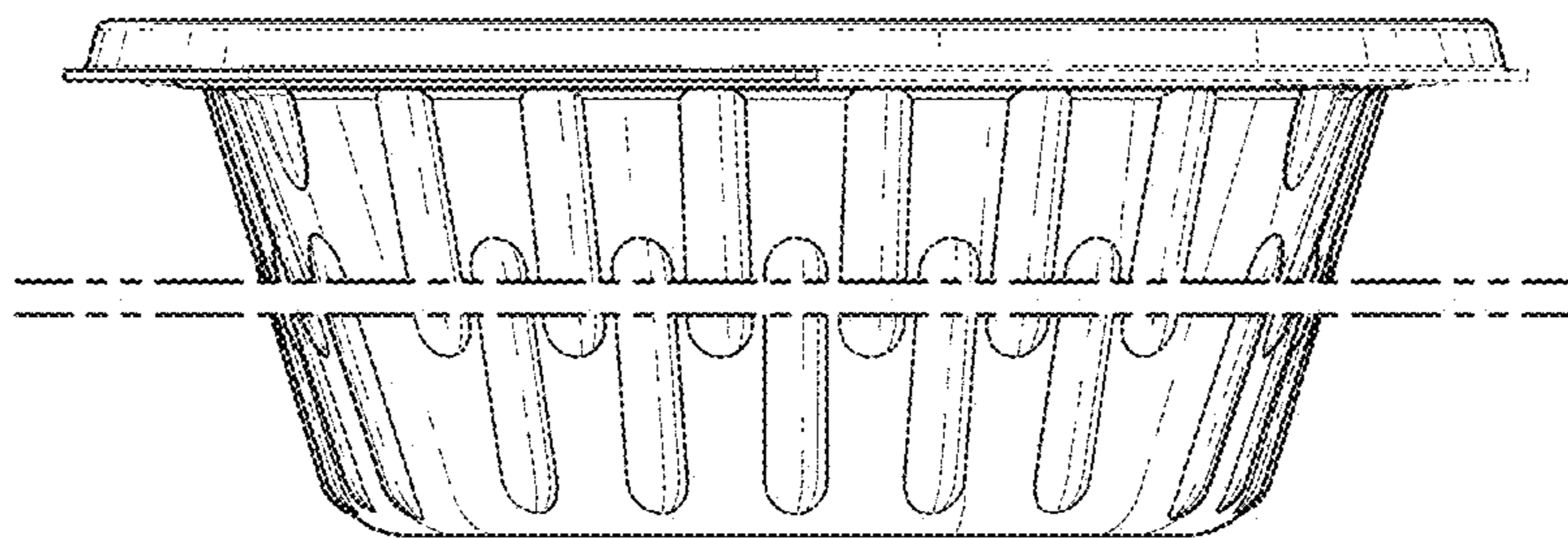


Fig. 6

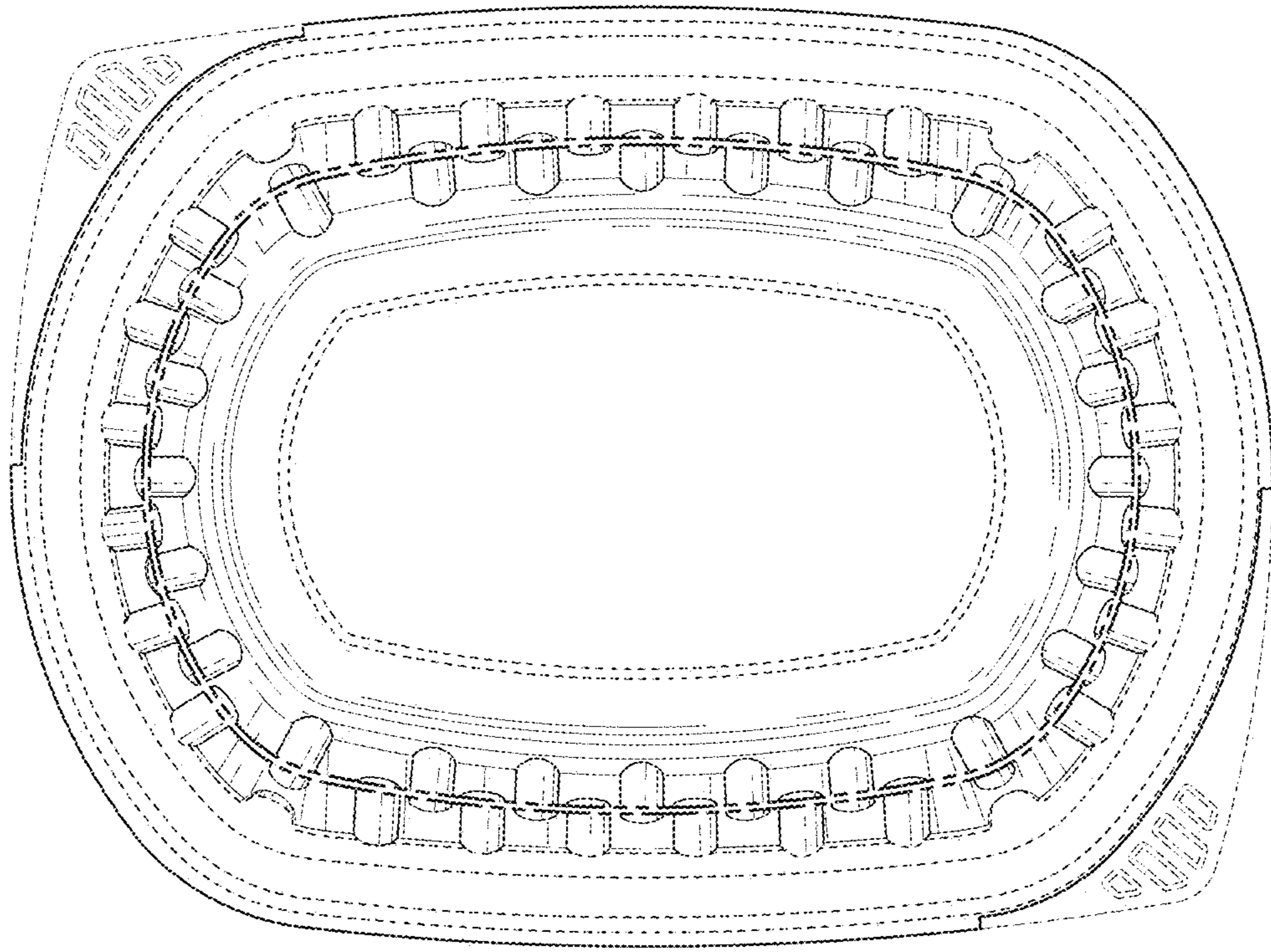


Fig. 7