



US00D968211S

(12) **United States Design Patent**  
**Fu**

(10) **Patent No.:** **US D968,211 S**

(45) **Date of Patent:** **\*\* Nov. 1, 2022**

(54) **PLASTIC BOX**

(71) Applicant: **Pinfen Fu**, Guangdong (CN)

(72) Inventor: **Pinfen Fu**, Guangdong (CN)

(\*\*) Term: **15 Years**

(21) Appl. No.: **29/798,283**

(22) Filed: **Jul. 7, 2021**

(51) **LOC (13) Cl.** ..... **09-03**

(52) **U.S. Cl.**  
USPC ..... **D9/425**; D9/432

(58) **Field of Classification Search**  
USPC ..... D9/414, 420-425, 432, 761;  
D7/601-602, 629  
CPC ..... B65D 2543/00296; B65D 2543/00101;  
B65D 2543/00027; B65D 2543/00555;  
B65D 2543/00194; B65D 21/0233; B65D  
2543/00805; B65D 2543/00648; B65D  
21/0217; B65D 43/02; B65D 43/0204;  
B65D 43/0233; B65D 77/2012; B65D  
21/02; B65D 21/0201; B65D 21/0234  
See application file for complete search history.

(56) **References Cited**

**U.S. PATENT DOCUMENTS**

D175,202 S *	7/1955	Tupper	.....	D7/629
5,266,763 A *	11/1993	Colombo	.....	B65D 25/18 219/734
D439,159 S *	3/2001	Chen	.....	D9/425
D469,689 S *	2/2003	Buchalski	.....	D9/425
D664,427 S *	7/2012	Chen	.....	D9/425
D665,674 S *	8/2012	Wu	.....	D7/629
D702,511 S *	4/2014	Segal	.....	D7/629
D724,903 S *	3/2015	Chen	.....	D7/629

D755,579 S *	5/2016	Wu	.....	D7/629
10,165,884 B1 *	1/2019	Miller	.....	B65D 25/24
D854,380 S *	7/2019	Yang	.....	D7/602
D959,287 S *	8/2022	Dominion	.....	D9/761
2003/0116572 A1 *	6/2003	Klock	.....	B65D 51/1683 220/373
2009/0218356 A1 *	9/2009	Colacitti	.....	B29C 45/14 220/574
2010/0236965 A1 *	9/2010	Hernandez	.....	B65D 21/0233 206/505
2012/0152957 A1 *	6/2012	Smith	.....	B65D 55/02 70/160
2015/0069067 A1 *	3/2015	Burgess	.....	F25C 1/243 220/553
2017/0113848 A1 *	4/2017	Zhen	.....	B65D 43/0212

\* cited by examiner

*Primary Examiner* — Lauren R Calve

(74) *Attorney, Agent, or Firm* — Sandy Lipkin

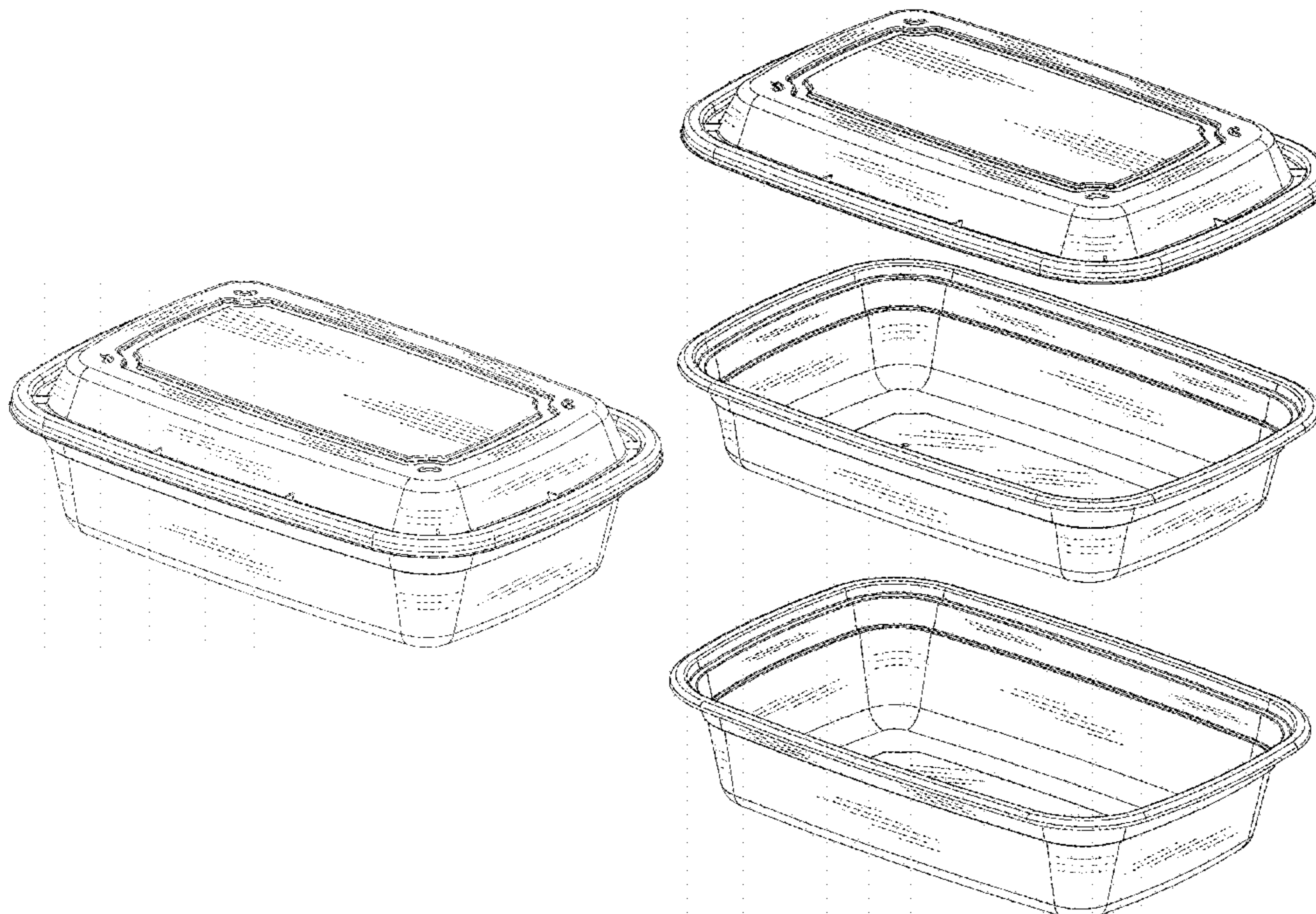
(57) **CLAIM**

The ornamental design for a plastic box, as shown and described.

**DESCRIPTION**

FIG. 1 is a front view of a plastic box, showing my new design;  
FIG. 2 is a top plan view thereof;  
FIG. 3 is a bottom plan view thereof;  
FIG. 4 is a rear elevation view thereof;  
FIG. 5 is a left side elevation view thereof;  
FIG. 6 is a right side elevation view thereof;  
FIG. 7 is a perspective view thereof;  
FIG. 8 is an exploded perspective view thereof; and,  
FIG. 9 is an exploded front elevation view thereof.

**1 Claim, 9 Drawing Sheets**



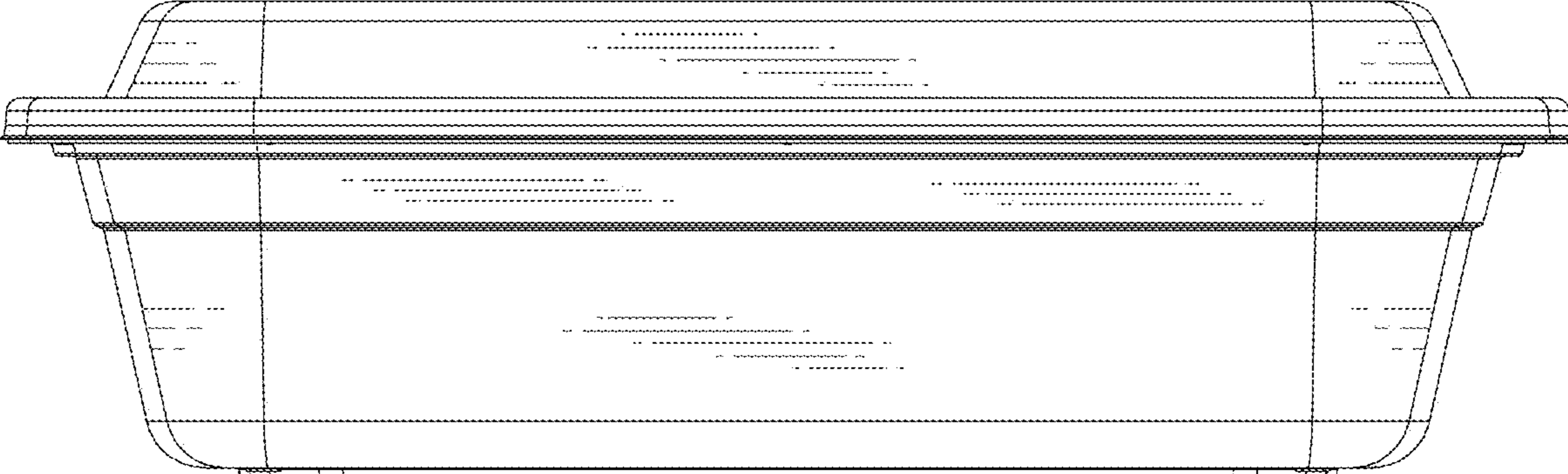


FIG. 1

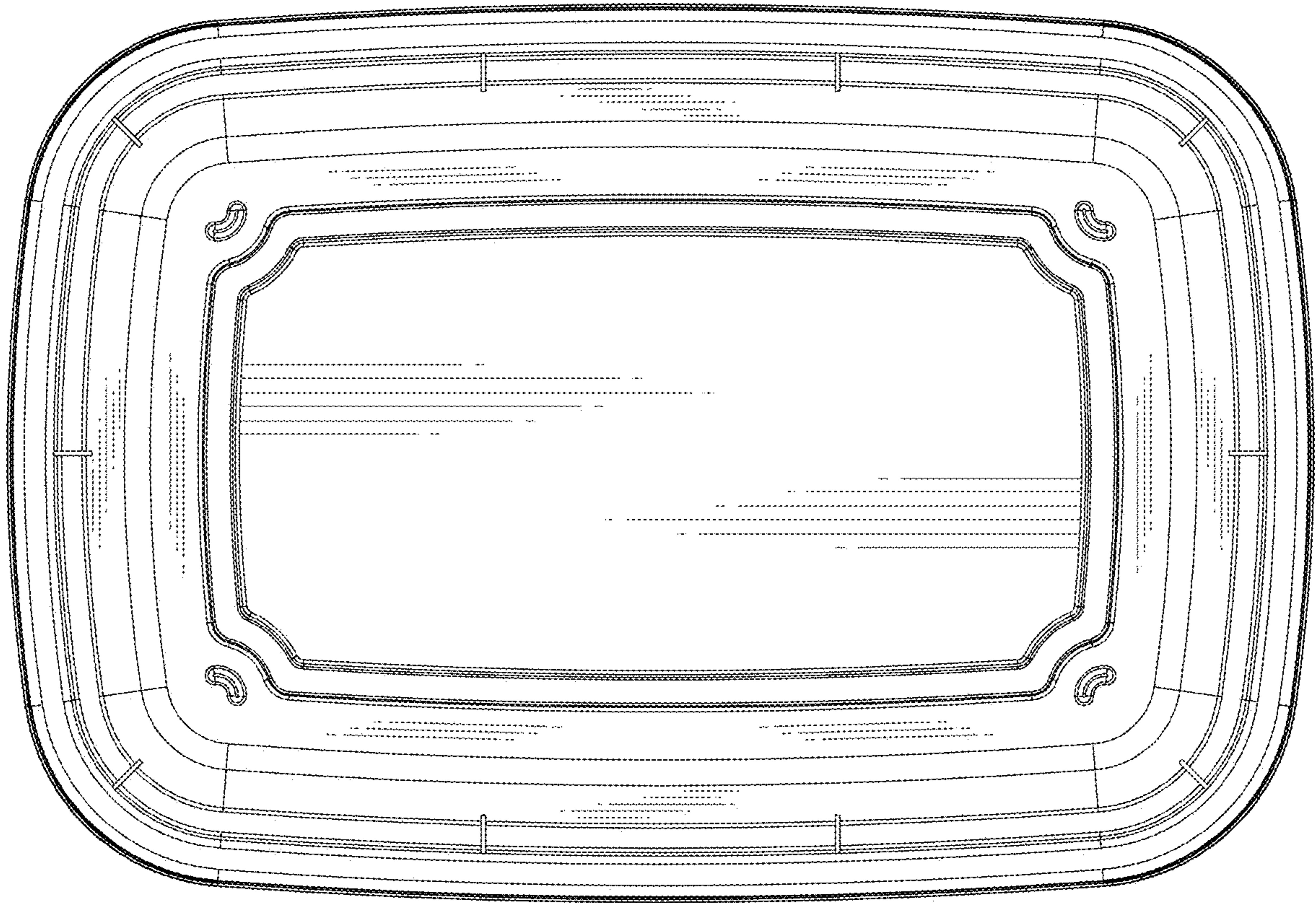


FIG. 2



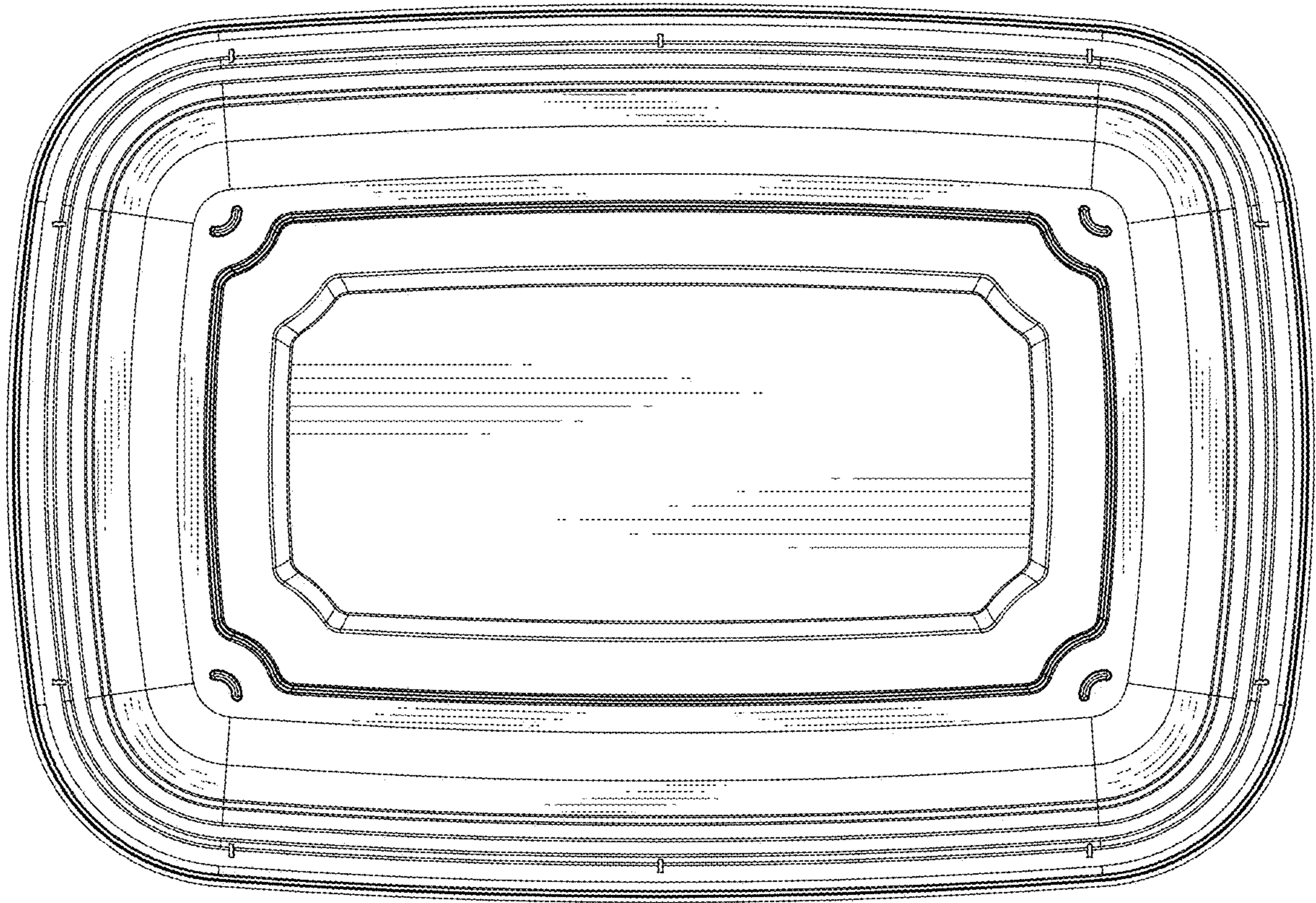


FIG. 3

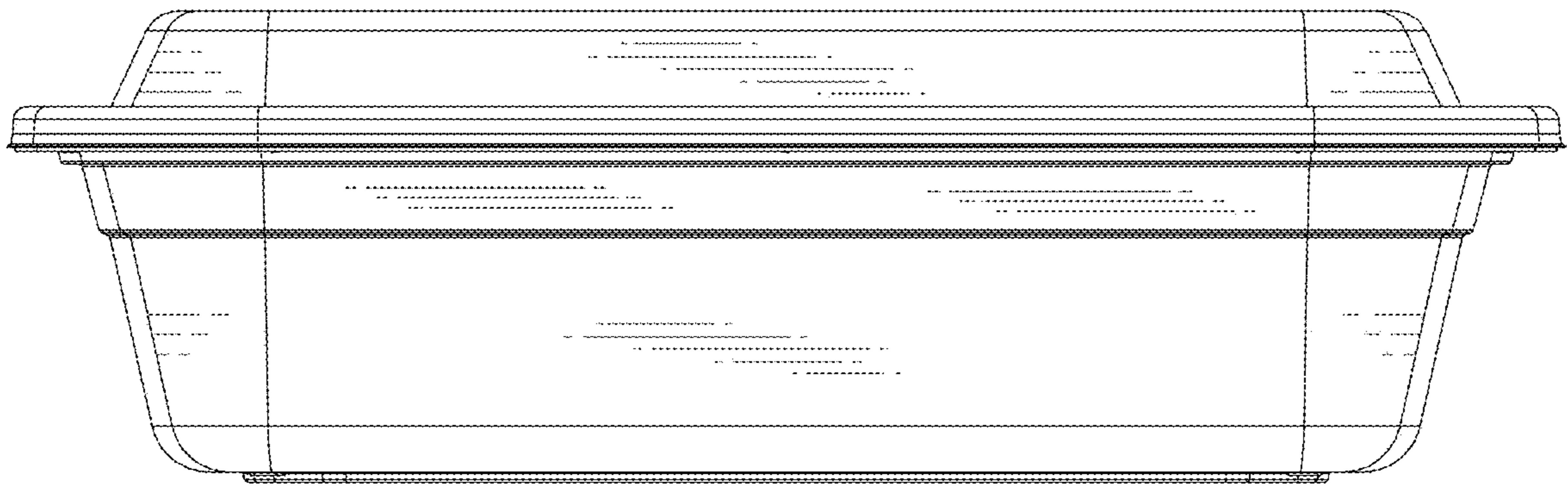


FIG. 4

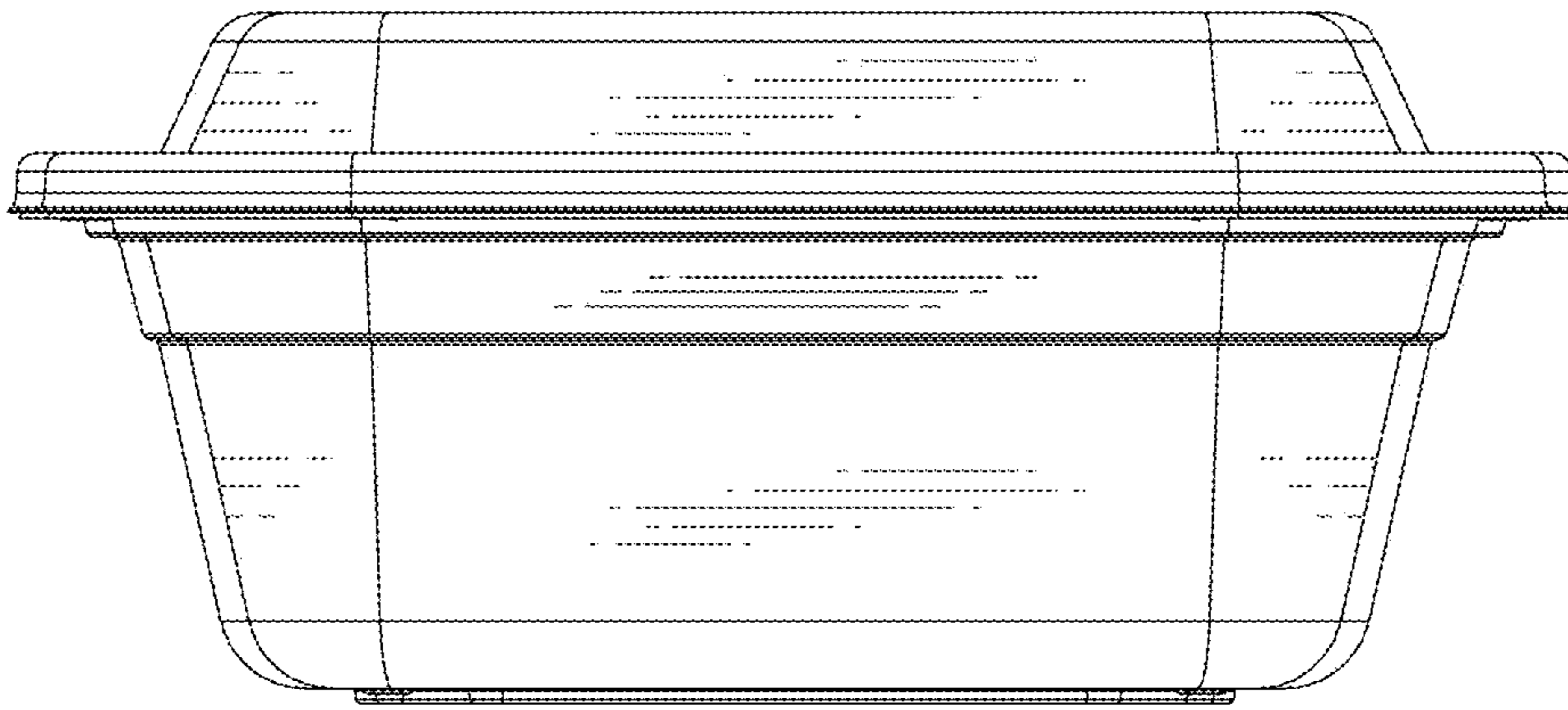


FIG. 5

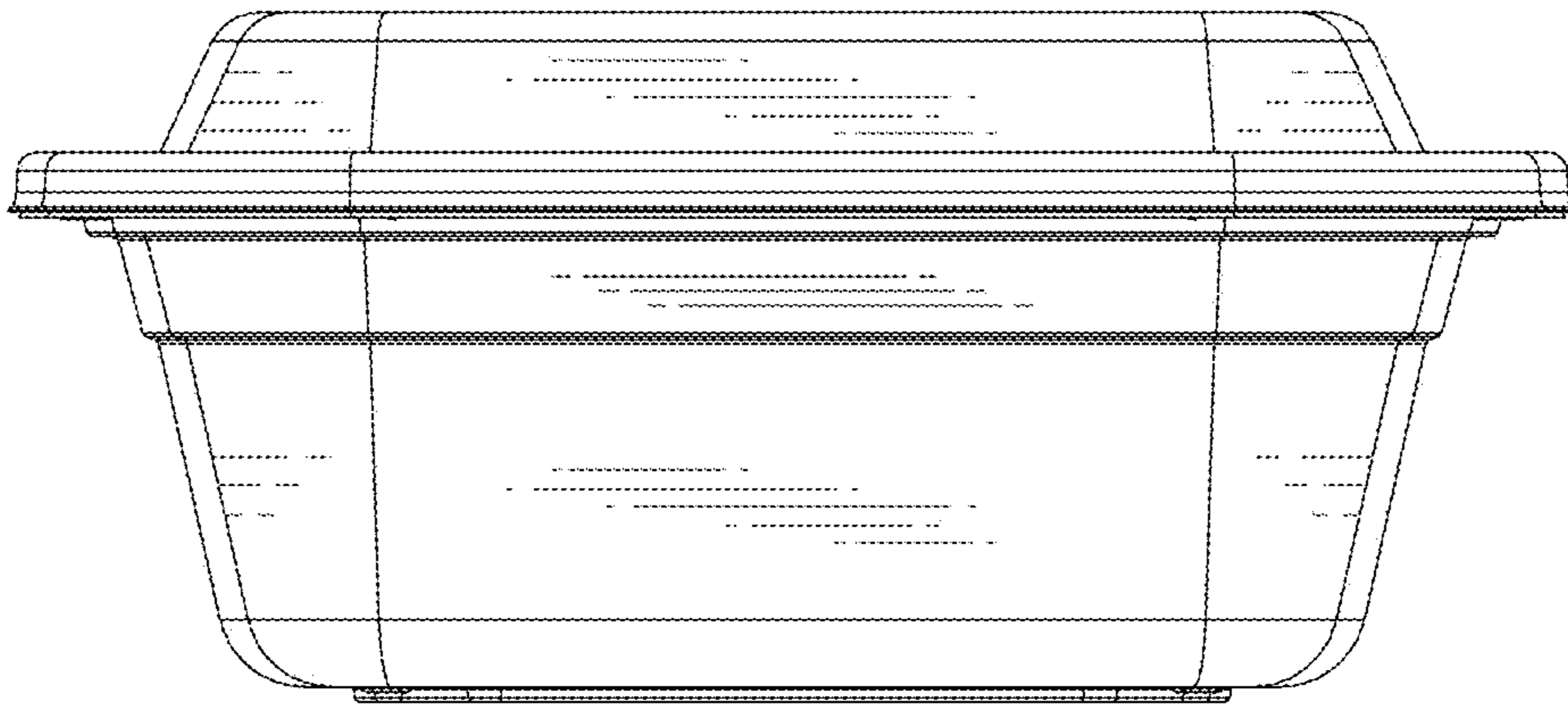


FIG. 6

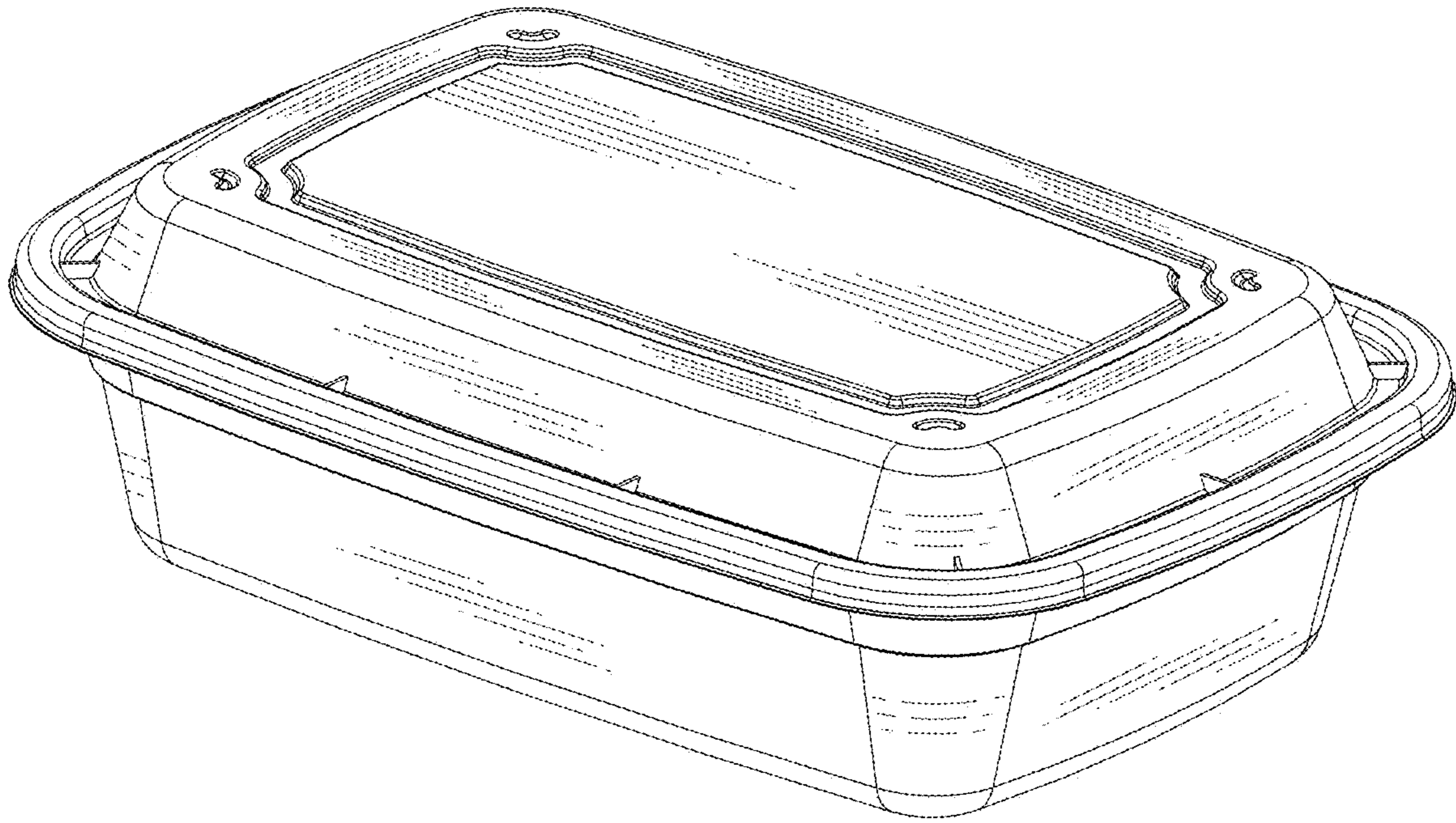


FIG. 7



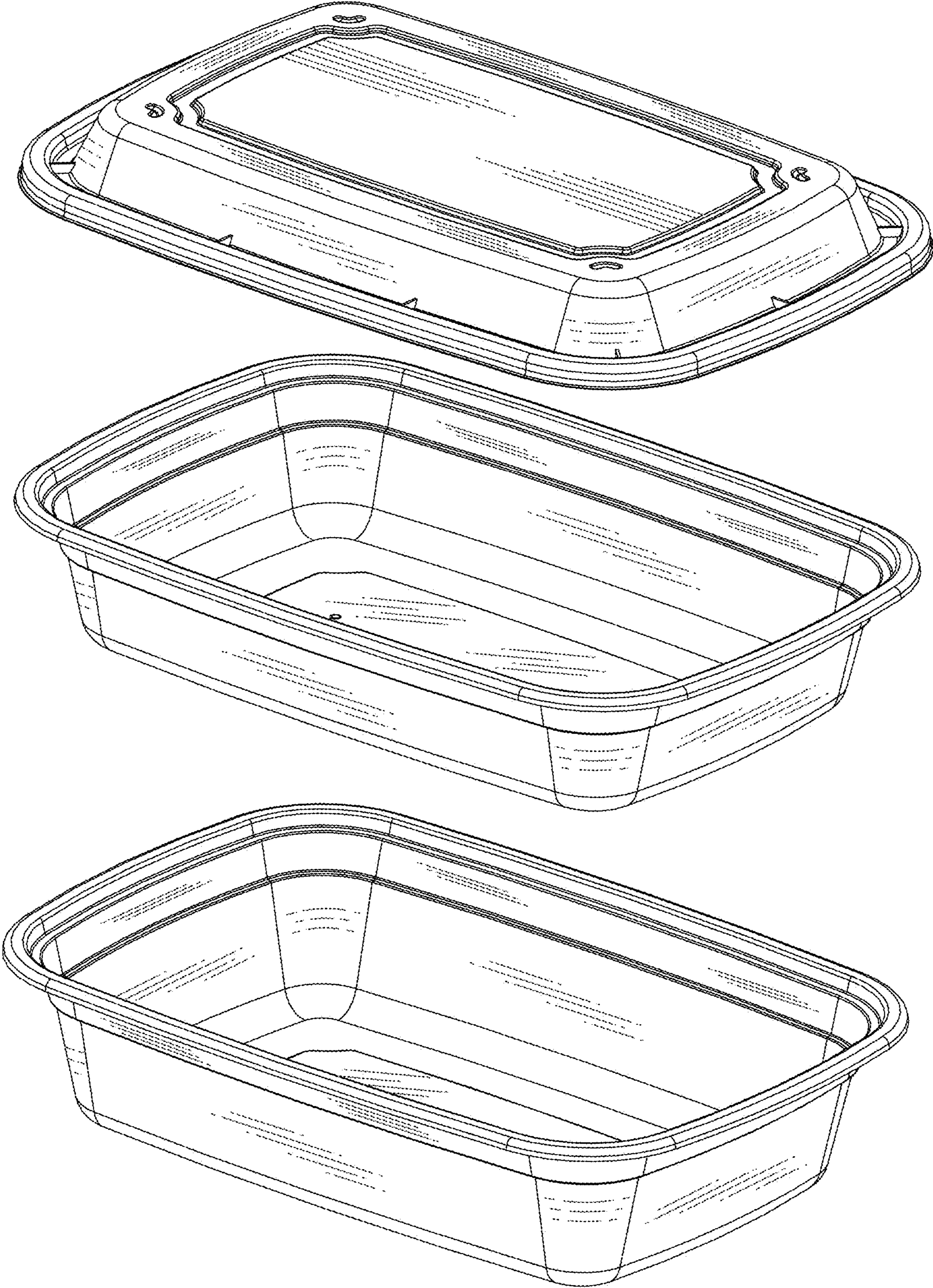


FIG. 8

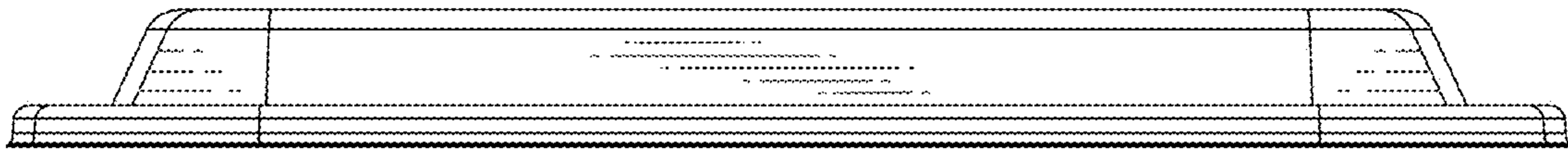


FIG. 9