



US00D968210S

(12) **United States Design Patent** (10) **Patent No.:** **US D968,210 S**
Jung (45) **Date of Patent:** **** Nov. 1, 2022**

(54) **SWIVEL HANGER**

(71) Applicant: **Bo Do Ko USA, Inc.**, Carson, CA (US)

(72) Inventor: **Yong Baik Jung**, Rancho Palos Verdes, CA (US)

(73) Assignee: **BO DO KO USA, INC.**, Carson, CA (US)

(**) Term: **15 Years**

(21) Appl. No.: **29/783,274**

(22) Filed: **May 12, 2021**

(51) **LOC (13) Cl.** **09-03**

(52) **U.S. Cl.**
USPC **D9/415**; D6/315

(58) **Field of Classification Search**
USPC D6/315-328; D9/415
CPC A47G 25/14; A47G 25/28; A47G 25/26;
A47G 25/30; A47G 25/36; A47G 25/50;
A47G 25/442; A47G 25/483; A47G
25/743; A47G 25/4023; A47F 5/0006
See application file for complete search history.

(56) **References Cited**

U.S. PATENT DOCUMENTS

4,074,838	A *	2/1978	Blasnik	A47G 25/32 223/85
D287,085	S *	12/1986	Leeds	D6/513
D519,157	S *	4/2006	Balatti	D19/86
8,720,842	B2 *	5/2014	Huang	A47F 7/16 211/113
D715,635	S *	10/2014	Brown	D9/415
D757,454	S *	5/2016	Alesi	D6/315
D779,931	S *	2/2017	Mondragón	D9/415
D815,852	S *	4/2018	Carr	D6/513

(Continued)

Primary Examiner — Lauren R Calve

(74) *Attorney, Agent, or Firm* — AHN IP Law

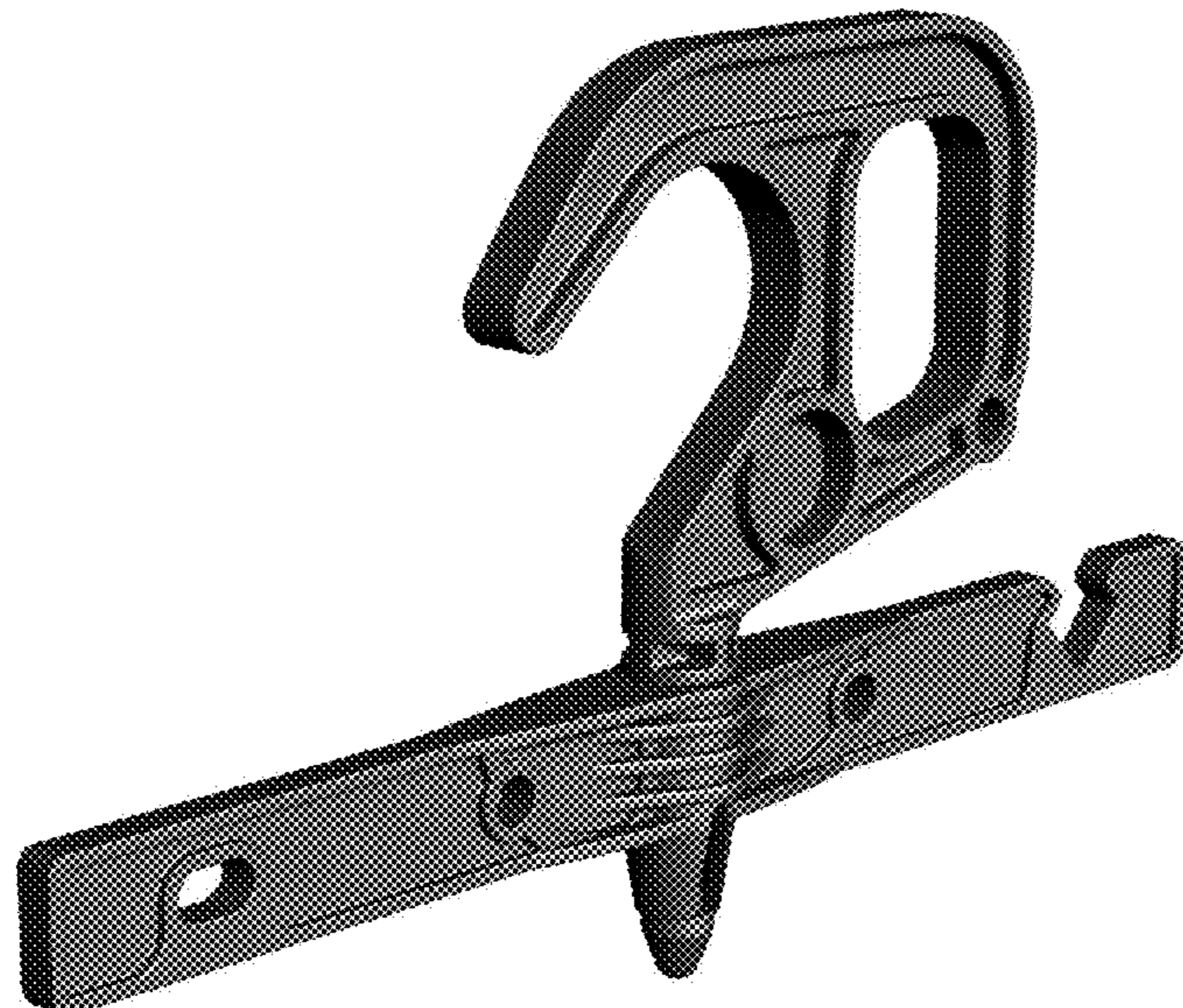
(57) **CLAIM**

The ornamental design for a swivel hanger, as shown and described.

DESCRIPTION

FIG. 1 is a perspective view of a swivel hanger, showing my new design;
 FIG. 2 is a front view thereof;
 FIG. 3 is a rear view thereof;
 FIG. 4 is a top view thereof;
 FIG. 5 is a bottom view thereof;
 FIG. 6 is a left side view thereof;
 FIG. 7 is a right side view thereof;
 FIG. 8 is a front view of the handle component of the swivel hanger of FIG. 1 shown without the hanger component for clarity of illustration;
 FIG. 9 is a top view thereof;
 FIG. 10 is a bottom view thereof;
 FIG. 11 is a rear view thereof;
 FIG. 12 is a front view of the hanger component of the swivel hanger of FIG. 1 shown without the handle component for clarity of illustration;
 FIG. 13 is a bottom view thereof;
 FIG. 14 is a rear view thereof;
 FIG. 15 is a top view thereof;
 FIG. 16 is an exploded top front perspective view of the swivel hanger of FIG. 1;
 FIG. 17 is a top front perspective view of the swivel hanger of FIG. 1;
 FIG. 18 is a top front perspective view of the swivel hanger of FIG. 1 showing the handle component in an alternate position; and,
 FIG. 19 is a top front perspective view of the swivel hanger of FIG. 1 showing the handle component in a second alterante position.
 The broken lines and arrowheads shown in FIGS. 18 and 19 are reference symbols representing the direction of the handle component of the swivel hanger, all of which form no part of the claimed design.

1 Claim, 9 Drawing Sheets



(56)

References Cited

U.S. PATENT DOCUMENTS

D909,697 S * 2/2021 Jung D32/46
2011/0095155 A1* 4/2011 Milella, Jr. A47F 7/163
248/339
2015/0102190 A1* 4/2015 Fiumefreddo A47F 5/0006
248/316.5

* cited by examiner



FIG. 1

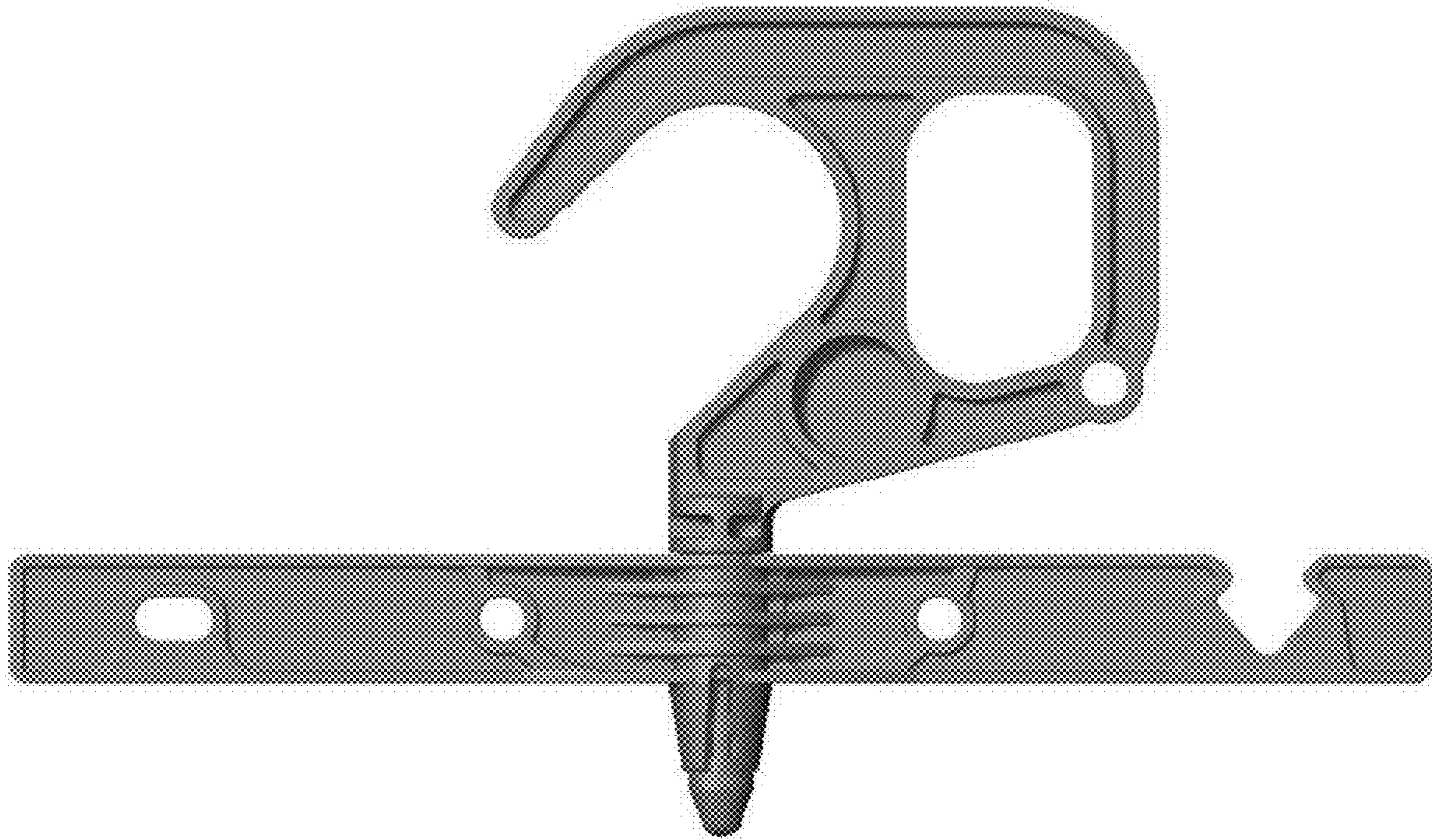


FIG. 2

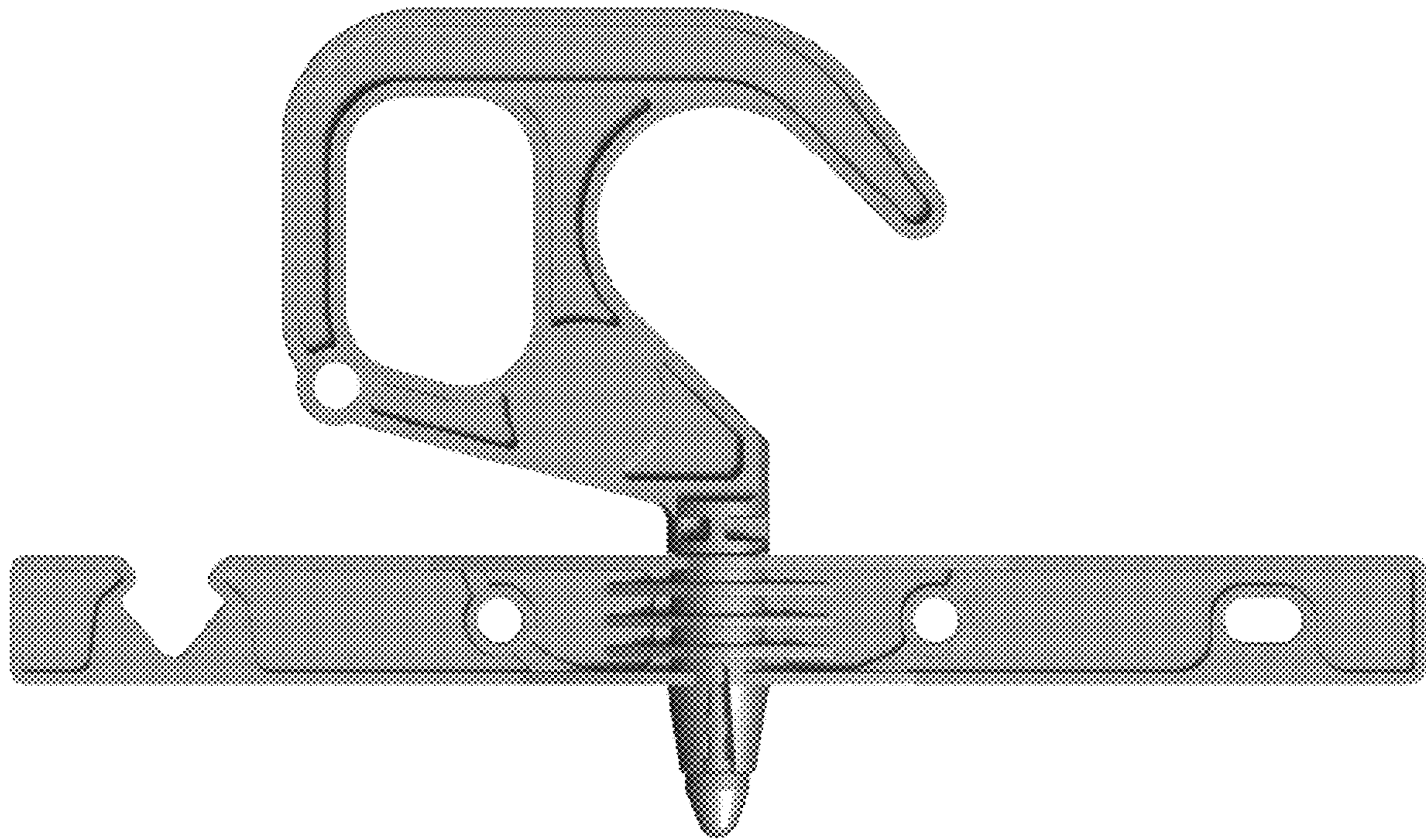


FIG. 3



FIG. 4



FIG. 5

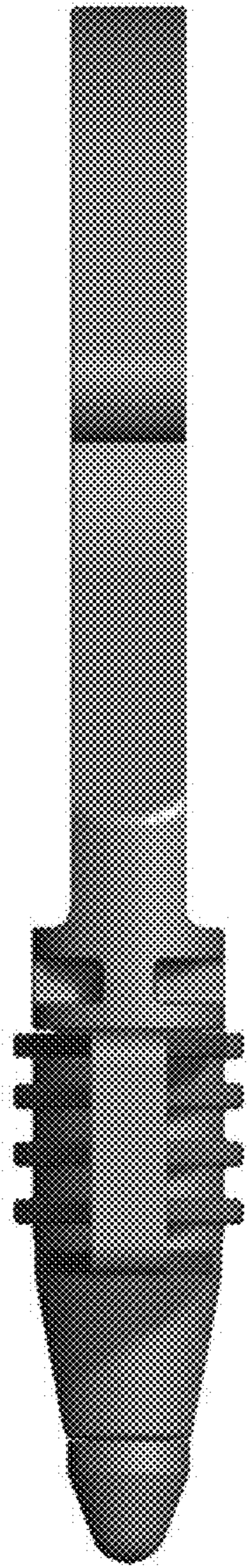


FIG. 6

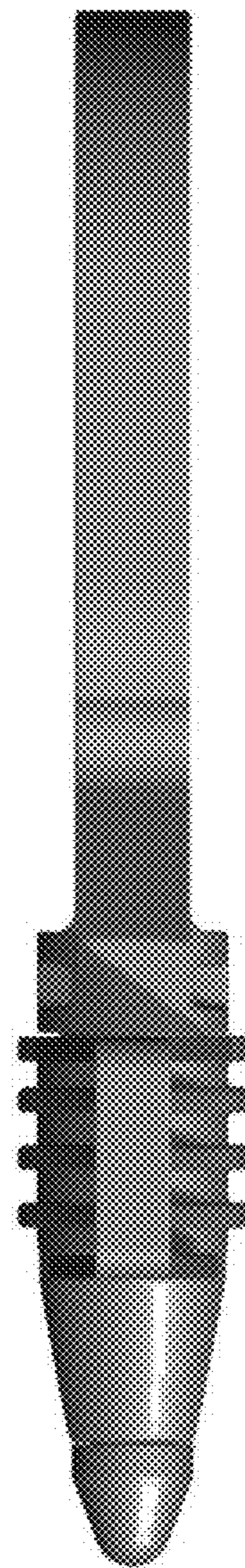


FIG. 7



FIG. 8



FIG. 9



FIG. 10

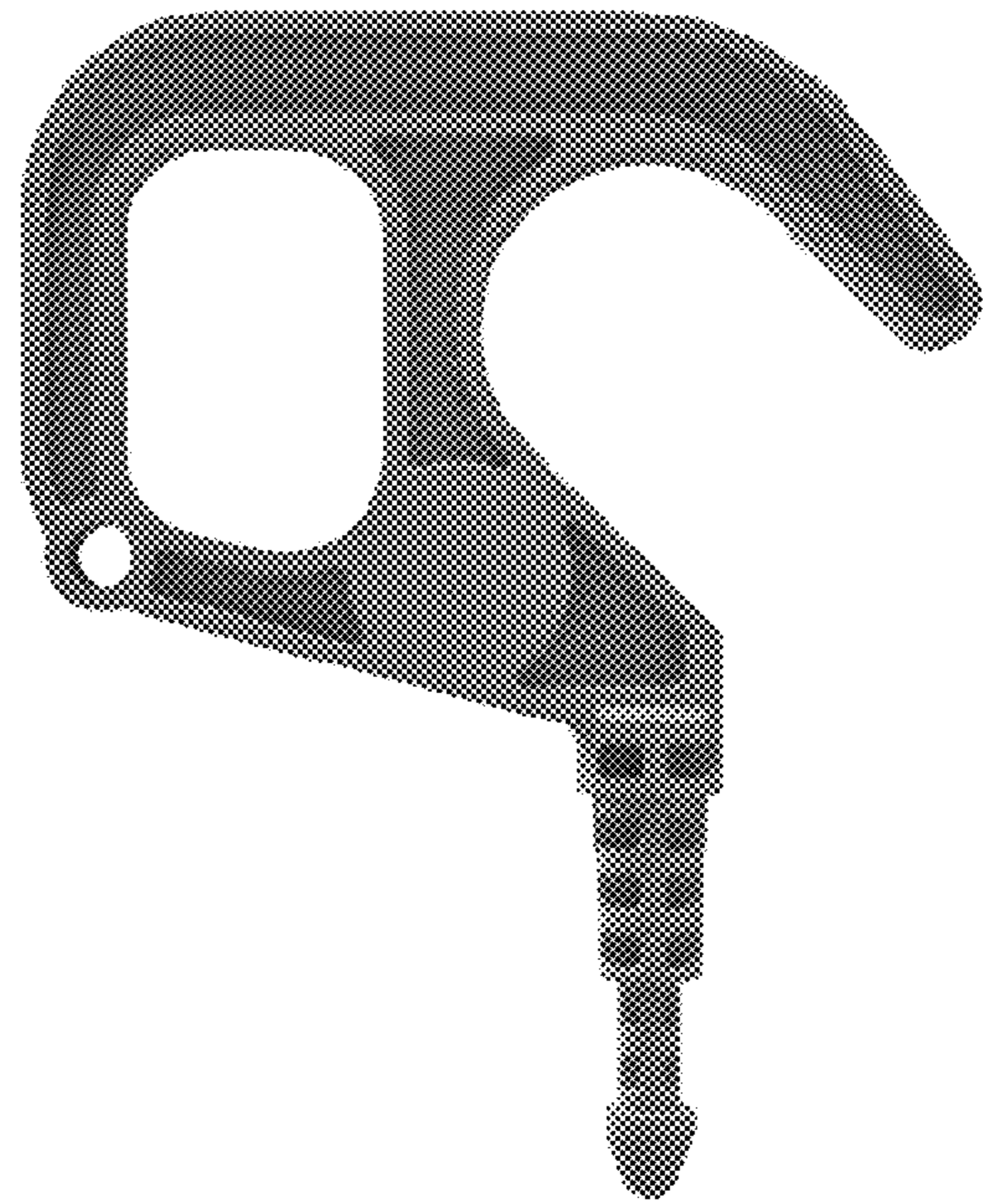


FIG. 11

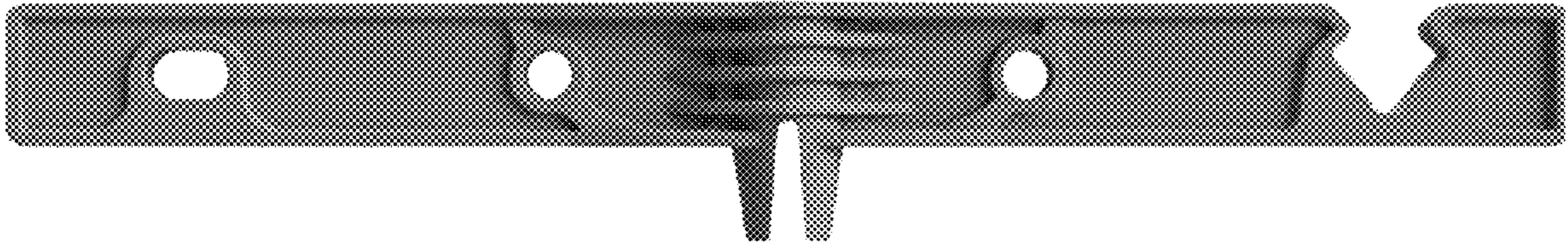


FIG. 12

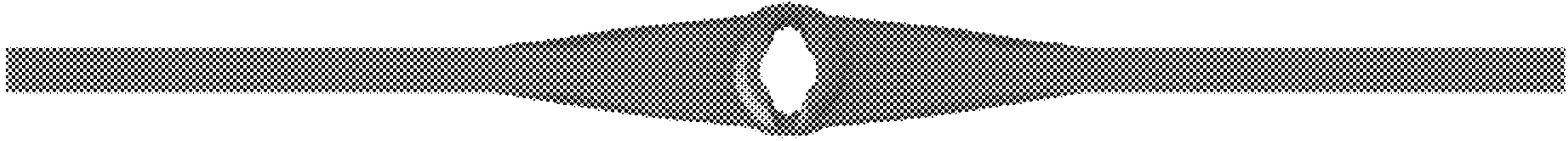


FIG. 13

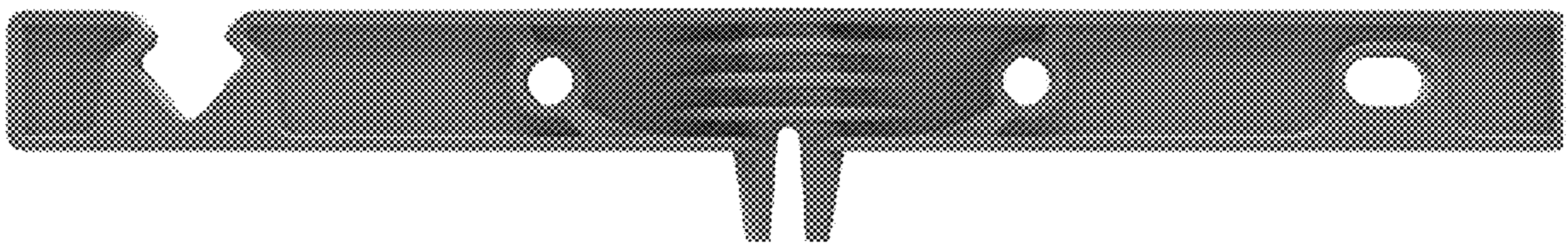


FIG. 14



FIG. 15



FIG. 16

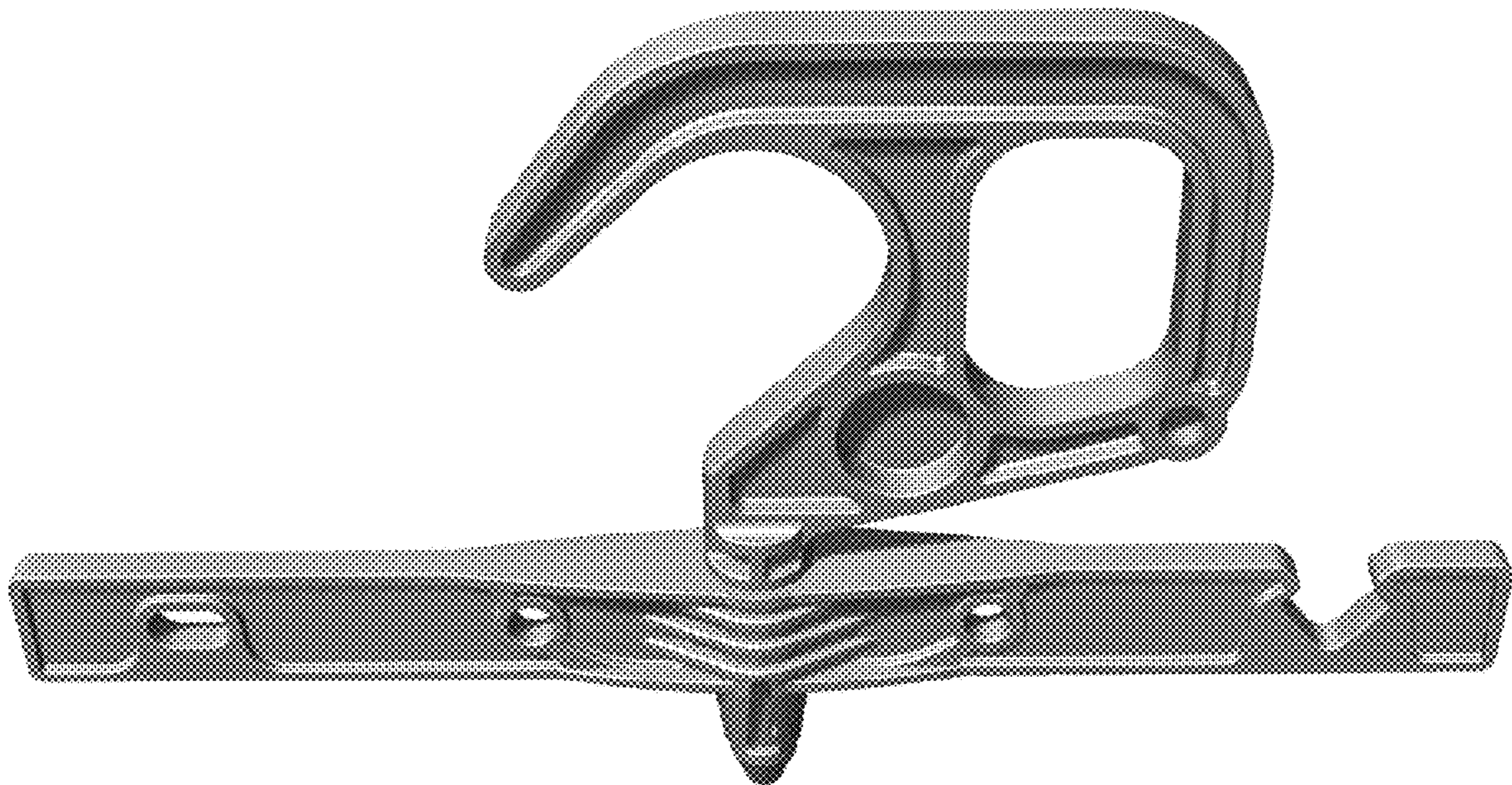


FIG. 17

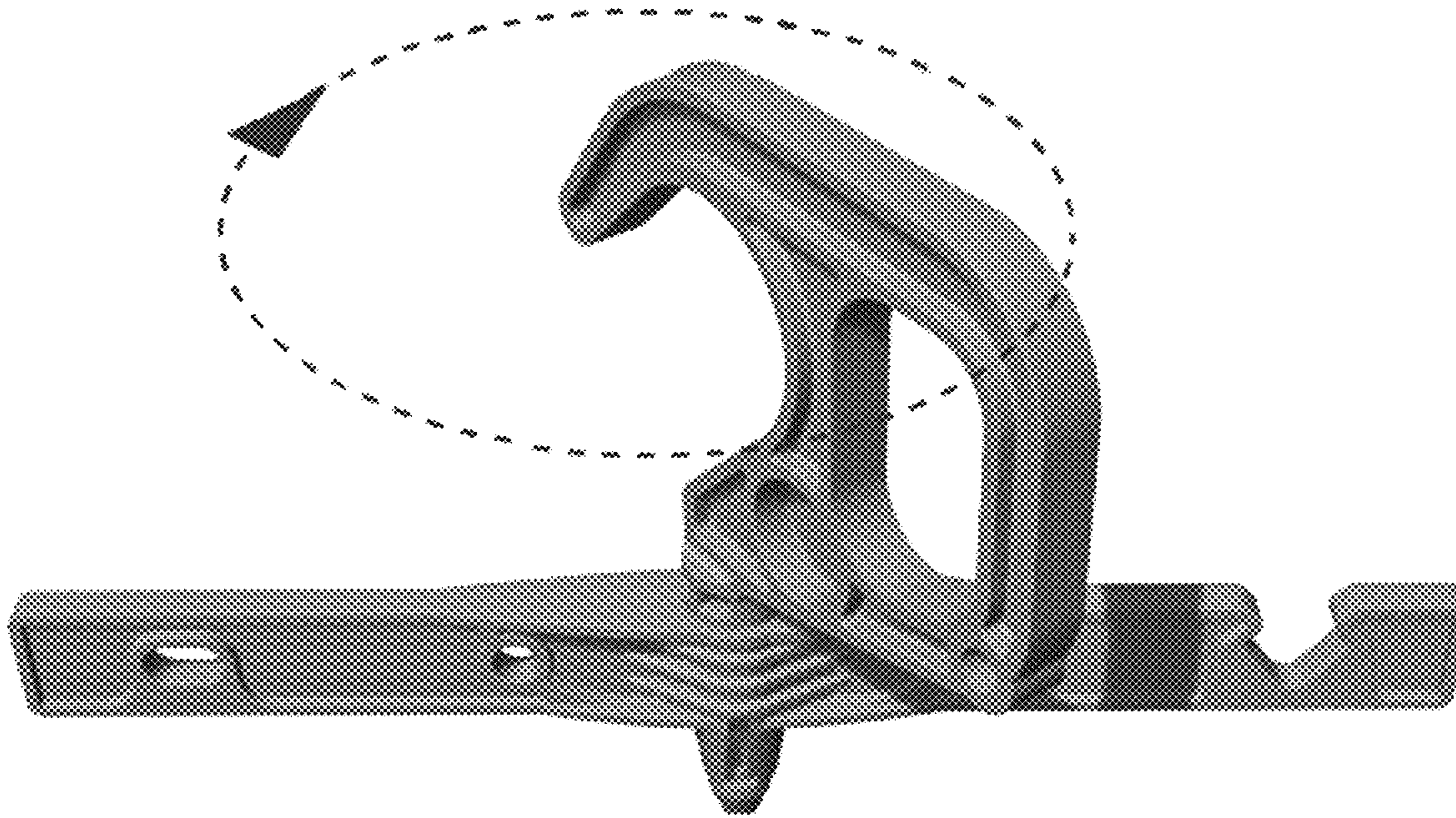


FIG. 18

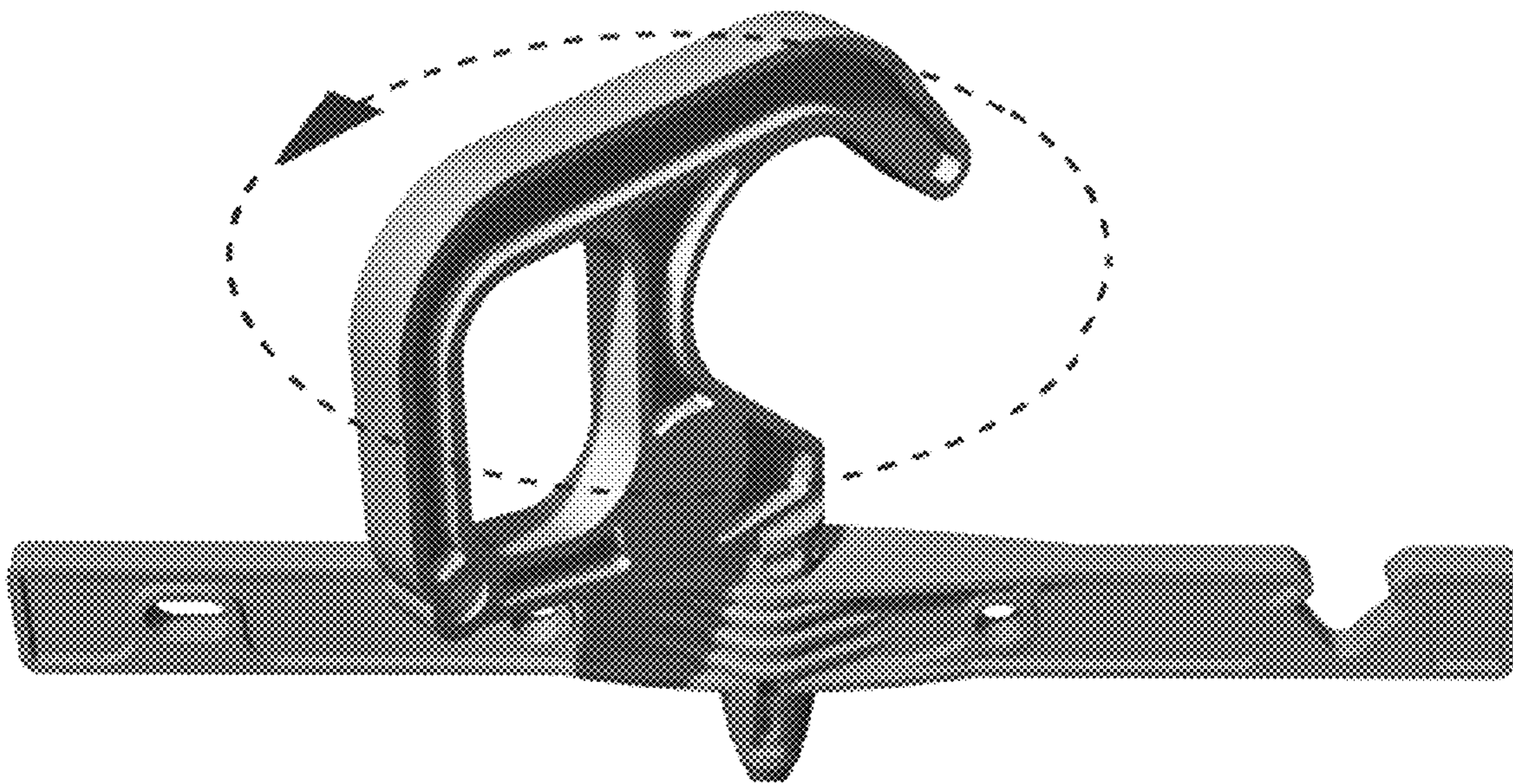


FIG. 19