



US00D968209S

(12) **United States Design Patent** (10) **Patent No.:** **US D968,209 S**
Xu (45) **Date of Patent:** **** Nov. 1, 2022**

(54) **LIGHT CLIP**

(71) Applicant: **Shenzhen Fuyade Technology Co., Ltd.**, Shenzhen (CN)

(72) Inventor: **Feifei Xu**, Shenzhen (CN)

(**) Term: **15 Years**

(21) Appl. No.: **29/837,942**

(22) Filed: **May 10, 2022**

(51) **LOC (13) Cl.** **08-08**

(52) **U.S. Cl.**
USPC **D8/395**; D26/138

(58) **Field of Classification Search**
USPC D8/354, 382, 394–396; D26/138
CPC F21V 21/088; F21V 21/0824; F21W
2121/00

See application file for complete search history.

(56) **References Cited**

U.S. PATENT DOCUMENTS

D291,532 S	*	8/1987	Hill	D8/382
D317,252 S	*	6/1991	Rumpel	D8/395
D319,575 S	*	9/1991	Young	D8/395
D356,246 S	*	3/1995	Adams	D8/395
D356,492 S	*	3/1995	Adams	D8/395
D365,014 S	*	12/1995	Fennessy	D8/371
D376,535 S	*	12/1996	Gary	D8/395
D402,396 S	*	12/1998	Protz, Jr.	D26/138
D414,291 S	*	9/1999	Gary	D26/138
D424,418 S	*	5/2000	Gary	D8/367
D427,510 S	*	7/2000	Gary	D8/367
D451,001 S		11/2001	Jones		
D451,007 S	*	11/2001	Jones	D8/367
D460,912 S	*	7/2002	Gary	D8/395
D482,489 S	*	11/2003	Gary	D26/138
D494,849 S	*	8/2004	Jones	D8/395
D510,018 S	*	9/2005	Tognolini	D8/395
D531,018 S	*	10/2006	Jackson	D8/395
D537,330 S	*	2/2007	Cox	D8/395
D549,565 S		8/2007	Cox		

D552,463 S	*	10/2007	French	D8/395
D671,826 S	*	12/2012	Adams, IV	D8/395
D675,086 S		1/2013	Gary		
D675,510 S	*	2/2013	Gary	D8/395
D696,105 S	*	12/2013	Devilliers	D8/395
D799,314 S	*	10/2017	Adams, IV	D8/395
D824,246 S	*	7/2018	Ming	D8/382
D824,757 S		8/2018	Johnson		

(Continued)

OTHER PUBLICATIONS

“Holiday Lighting Outlet Omni All in One Christmas Light Clip”, Dec. 10, 2014, Amazon.ca, site visited Jul. 14, 2022: <https://www.amazon.ca/Lighting-Christmas-Strings-Gutters-Shingles/dp/B00OYFNRC> (Year: 2014).*

(Continued)

Primary Examiner — Jack Reickel

Assistant Examiner — Michael A Kervin

(74) *Attorney, Agent, or Firm* — Rumit Ranjit Kanakia

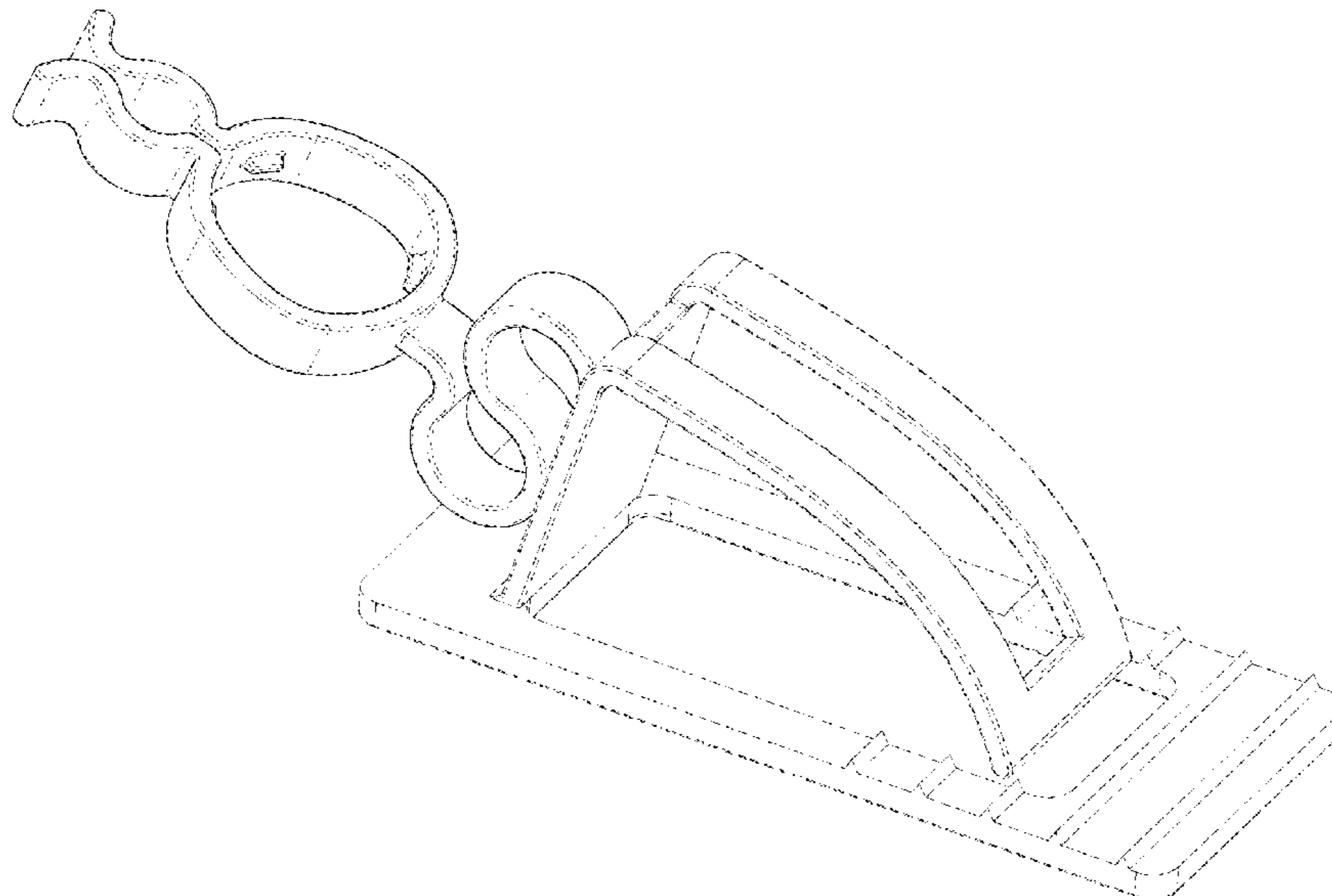
(57) **CLAIM**

The ornamental design for a light clip, as shown and described.

DESCRIPTION

FIG. 1 is a perspective view of a light clip showing my new design;
FIG. 2 is another perspective view thereof;
FIG. 3 is a front elevational view thereof; the rear elevational view being a mirror image of FIG. 3;
FIG. 4 is a left elevational view thereof;
FIG. 5 is a right side view thereof;
FIG. 6 is a top side view thereof; and,
FIG. 7 is a bottom plan view thereof.
The broken lines in the figures are for the purposes of illustrating portions of the light clip, which form no part of the claimed design.

1 Claim, 6 Drawing Sheets



(56)

References Cited

U.S. PATENT DOCUMENTS

D909,194 S * 2/2021 Felt D8/395
2018/0017240 A1 * 1/2018 Schreiber F21S 4/10
2018/0187867 A1 * 7/2018 Adams, IV F21V 21/088
2019/0257502 A1 * 8/2019 Felt F21V 21/088
2021/0102687 A1 * 4/2021 Brettmann-Skogg F21S 4/10
2022/0010946 A1 * 1/2022 Chen F21V 17/164

OTHER PUBLICATIONS

“SEWANTA Holiday Light Clips”, Oct. 8, 2020, Amazon.ca, site visited Jul. 14, 2022: <https://www.amazon.ca/SEWANTA-Christmas-Shingles-All-Application-Required/dp/B08HR79V9F> (Year: 2020).*

* cited by examiner

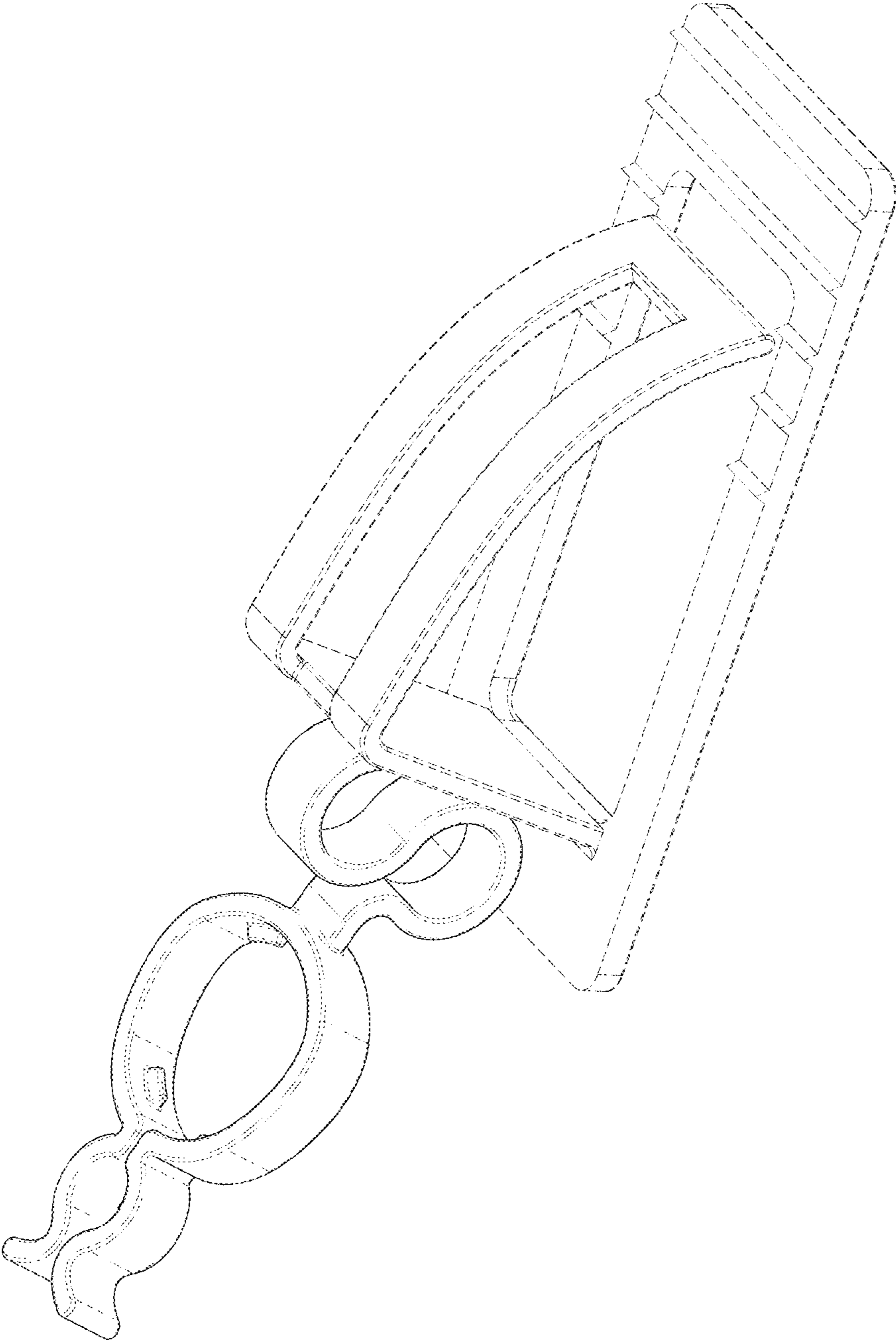


FIG. 1

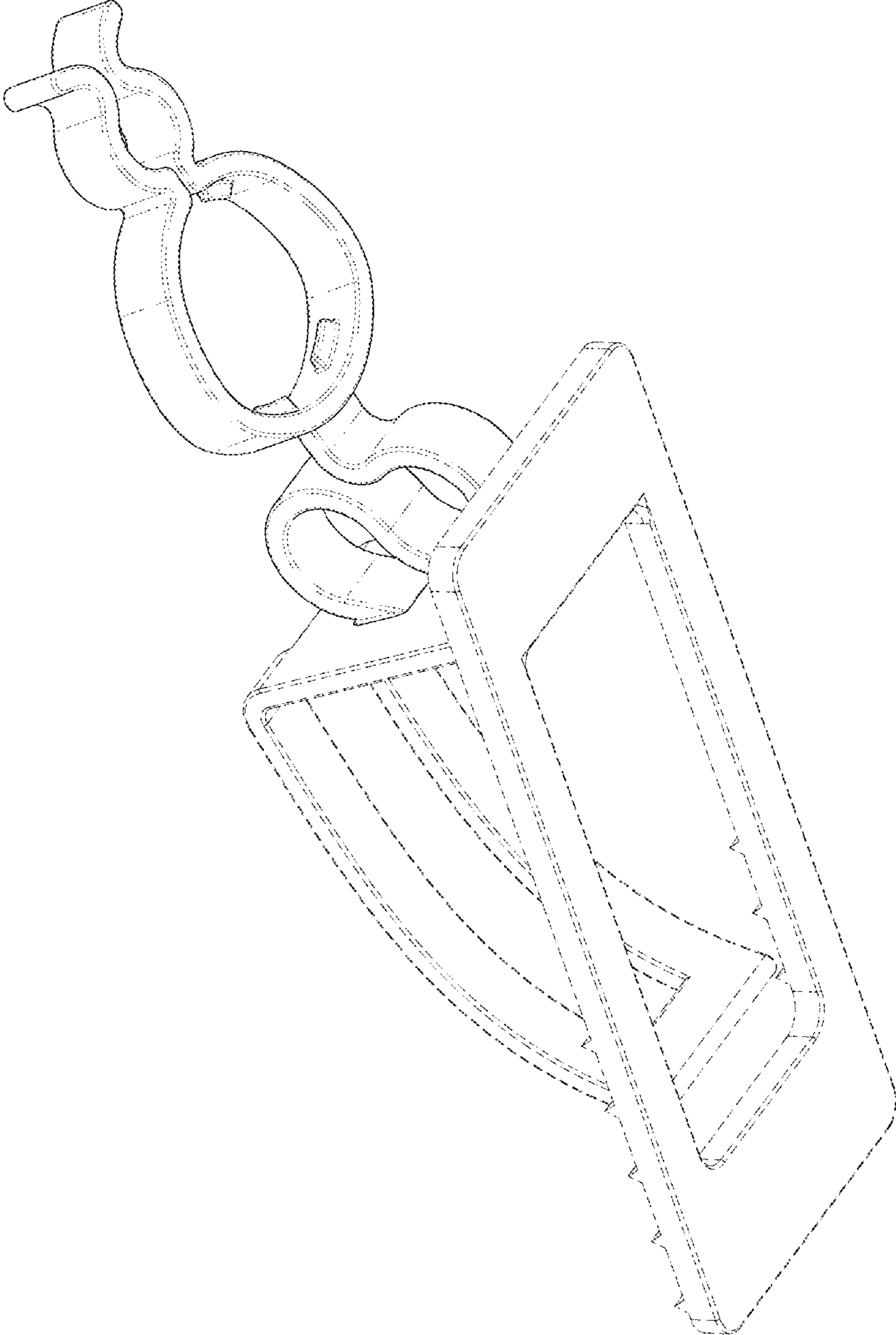


FIG. 2

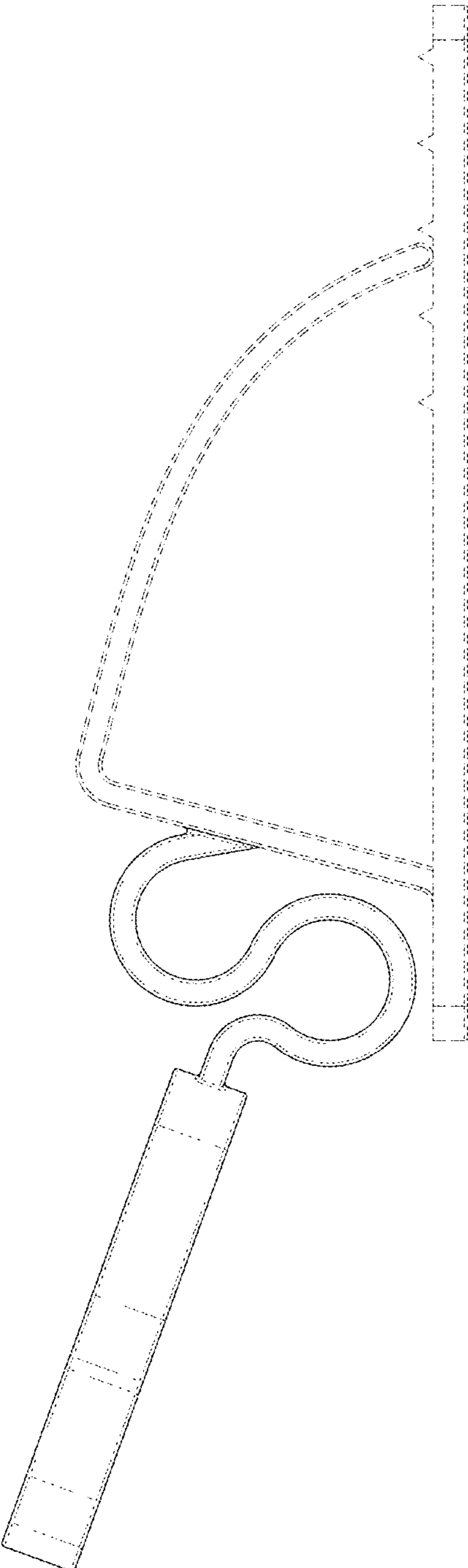


FIG. 3

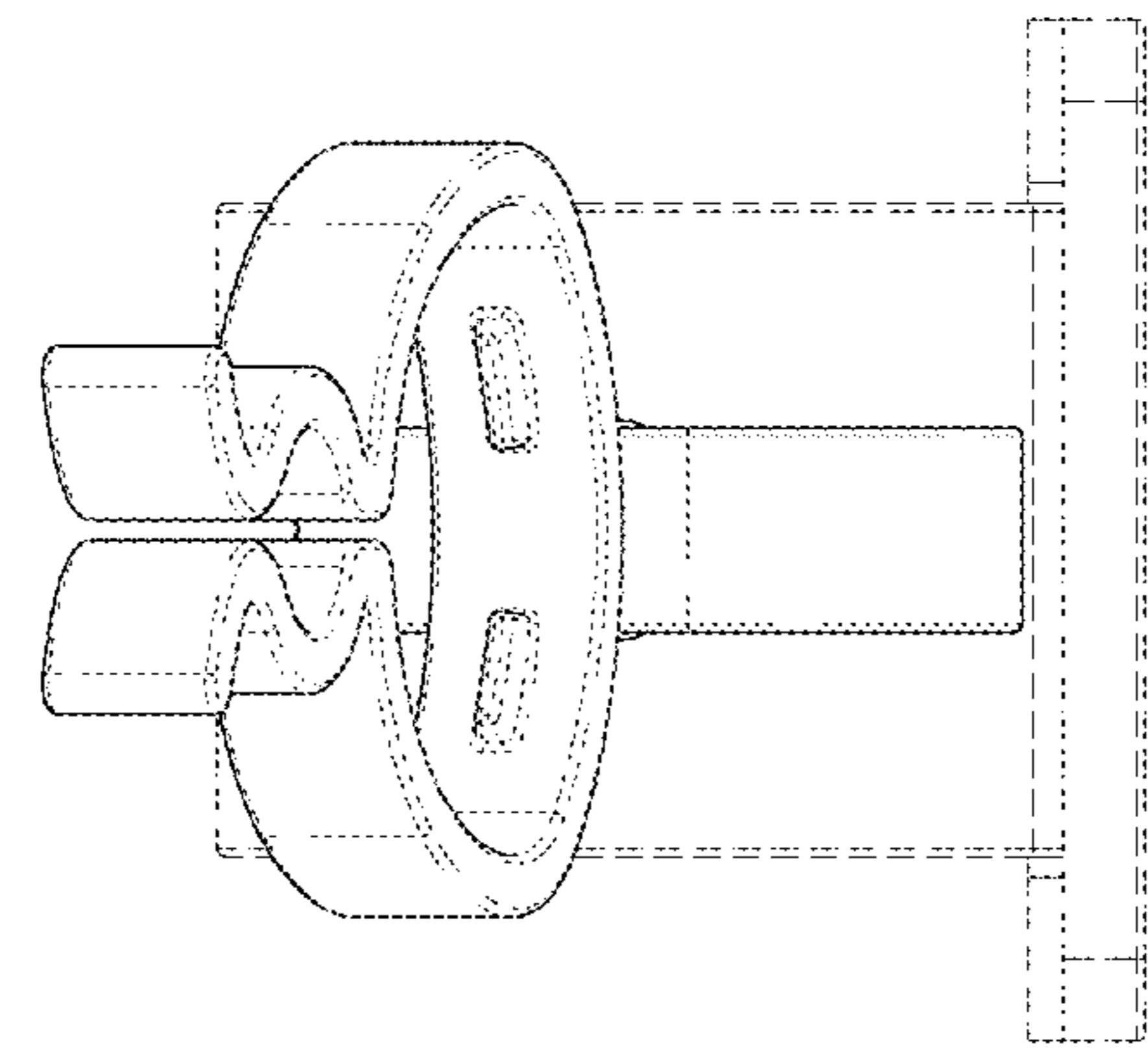


FIG. 4

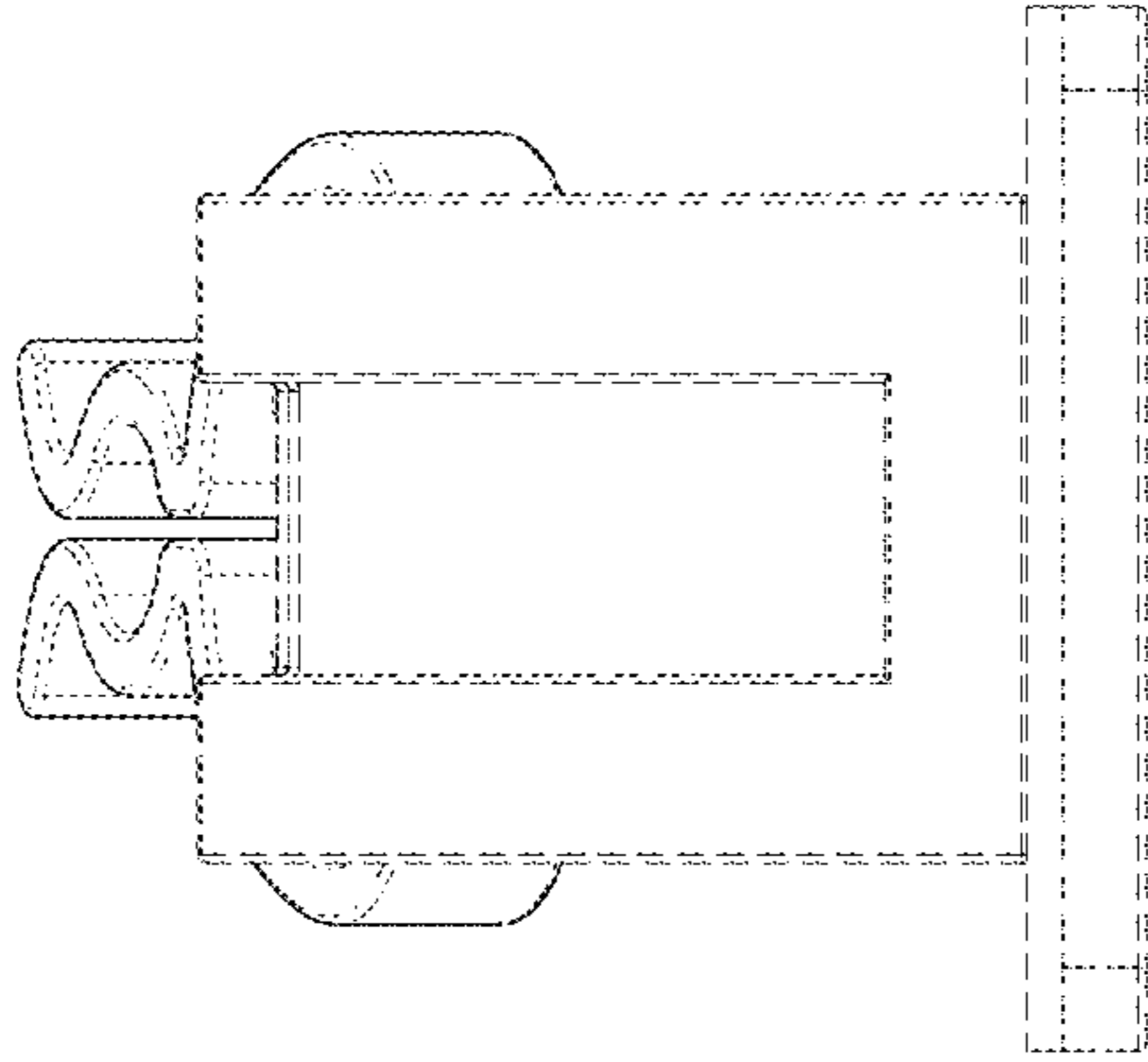


FIG. 5

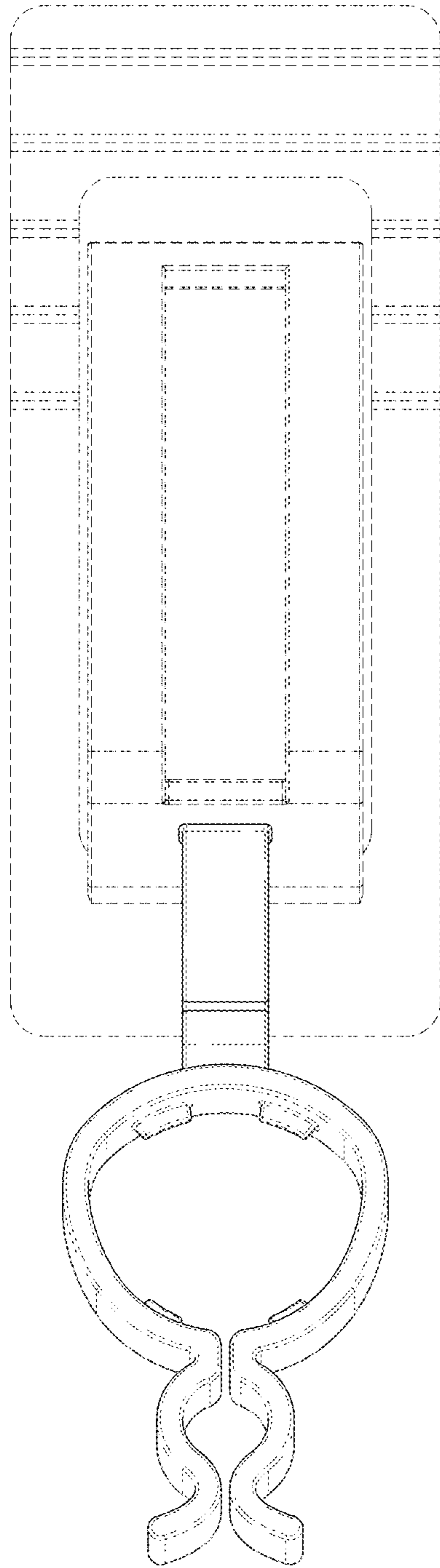


FIG. 6

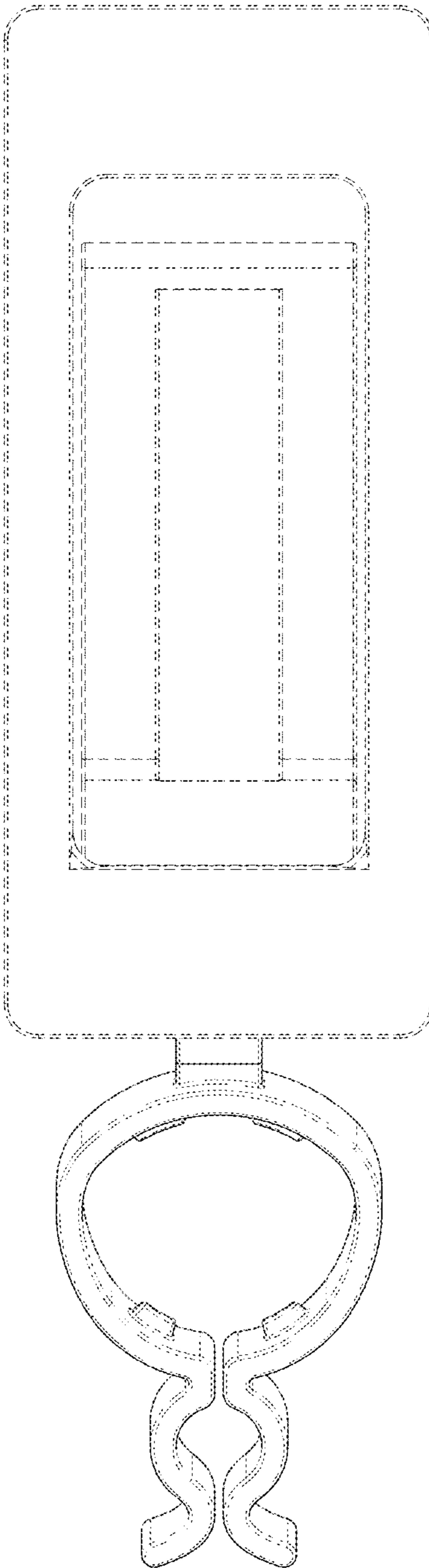


FIG. 7