



US00D968206S

(12) **United States Design Patent**
Strom et al.

(10) **Patent No.:** **US D968,206 S**
(45) **Date of Patent:** **** Nov. 1, 2022**

- (54) **PORTABLE COFFERDAM**
- (71) Applicant: **Subsurface, Inc.**, Fargo, ND (US)
- (72) Inventors: **Gary H. Strom**, Moorhead, MN (US);
Brandon G. Strom, Vergas, MN (US)
- (73) Assignee: **Subsurface, Inc.**, Fargo, ND (US)
- (**) Term: **15 Years**
- (21) Appl. No.: **29/839,595**
- (22) Filed: **May 23, 2022**

D433,152 S	10/2000	Masciarelli	
D433,760 S	11/2000	Masciarelli	
D454,204 S	3/2002	Masciarelli	
7,284,728 B2	10/2007	Connolly	
D625,586 S	10/2010	Kramer	
D692,583 S	10/2013	Weekly	
8,545,129 B2	10/2013	Weekly	
D703,029 S	4/2014	Fox	
8,910,367 B2	12/2014	Adams, Jr.	
8,926,229 B1	1/2015	Clair	
9,874,008 B2	1/2018	Doupe	
9,945,091 B1	4/2018	Strom	
D842,684 S	3/2019	House	
D858,267 S	9/2019	Malee	
11,242,665 B1 *	2/2022	Strom E02D 19/04
D959,249 S *	8/2022	Strom E02D 17/04
			D8/380

Related U.S. Application Data

- (60) Division of application No. 29/712,506, filed on Nov. 8, 2019, now Pat. No. Des. 959,249, which is a continuation of application No. 16/594,158, filed on Oct. 7, 2019, now Pat. No. 10,794,033, which is a continuation of application No. 16/159,917, filed on Oct. 15, 2018, now Pat. No. 10,435,860, which is a continuation of application No. 15/953,629, filed on Apr. 16, 2018, now Pat. No. 10,100,483, which is a continuation of application No. 15/292,977, filed on Oct. 13, 2016, now Pat. No. 9,945,091.
- (51) **LOC (13) Cl.** **08-05**
- (52) **U.S. Cl.**
USPC **D8/380**
- (58) **Field of Classification Search**
USPC D8/380, 349, 352, 353, 354, 356, 373
CPC E02D 19/04; E02D 17/08
See application file for complete search history.

References Cited

U.S. PATENT DOCUMENTS

3,051,424 A	8/1962	Duhamel
3,652,045 A	3/1972	Hirt
5,009,386 A	4/1991	Berger
D330,672 S	11/1992	Wilkinson, III
D402,188 S	12/1998	Hetner

(Continued)

OTHER PUBLICATIONS

<https://en.wikipedia.org/wiki/Cofferdam>; Wikipedia Cofferdam Article; Printed & Received Sep. 28, 2016.

Primary Examiner — Keli L Hill
Assistant Examiner — Harold E Blackwell, II
(74) *Attorney, Agent, or Firm* — Neustel Law Offices

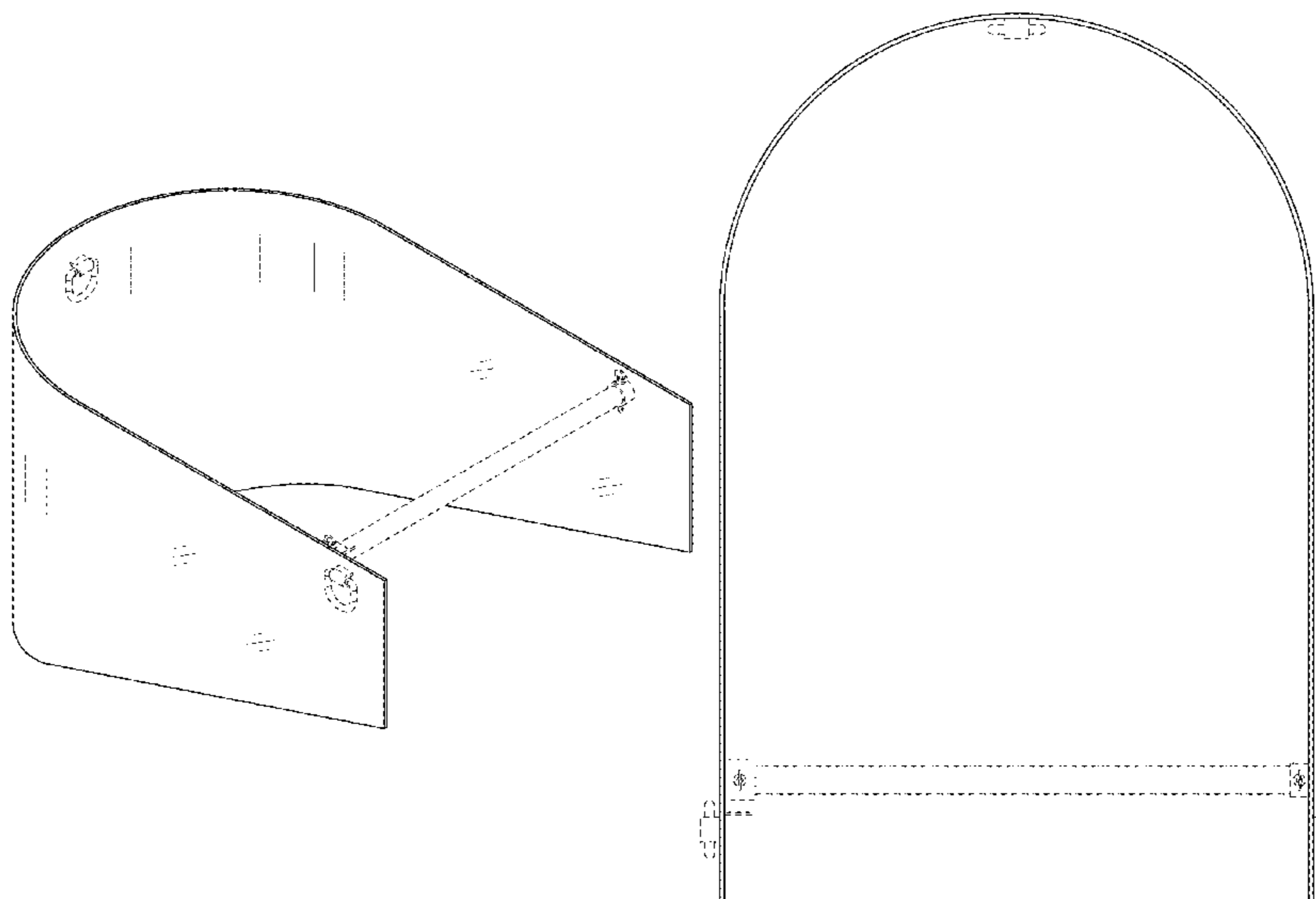
(57) **CLAIM**

The ornamental design for a portable cofferdam, as shown and described.

DESCRIPTION

FIG. 1 is a left perspective view of a portable cofferdam showing our new design;
FIG. 2 is a right view of the portable cofferdam of FIG. 1; and,
FIG. 3 is a top view of the portable cofferdam of FIG. 1. The broken line portions of the drawings are included to show unclaimed subject matter and form no part of the claimed design.

1 Claim, 3 Drawing Sheets



(56)

References Cited

U.S. PATENT DOCUMENTS

2006/0002768 A1 1/2006 Meyer
2016/0108599 A1 4/2016 Spry

* cited by examiner

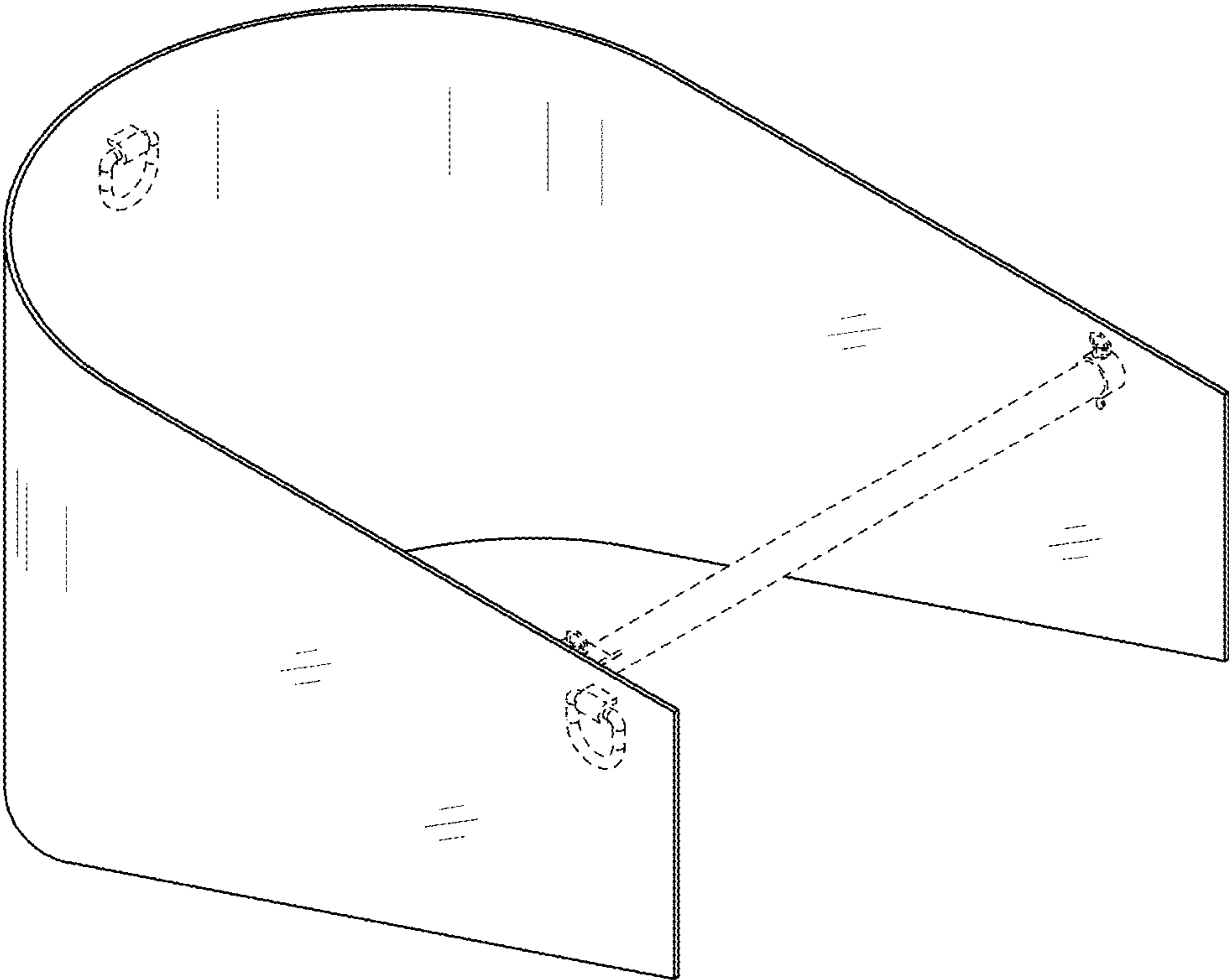


FIG. 1

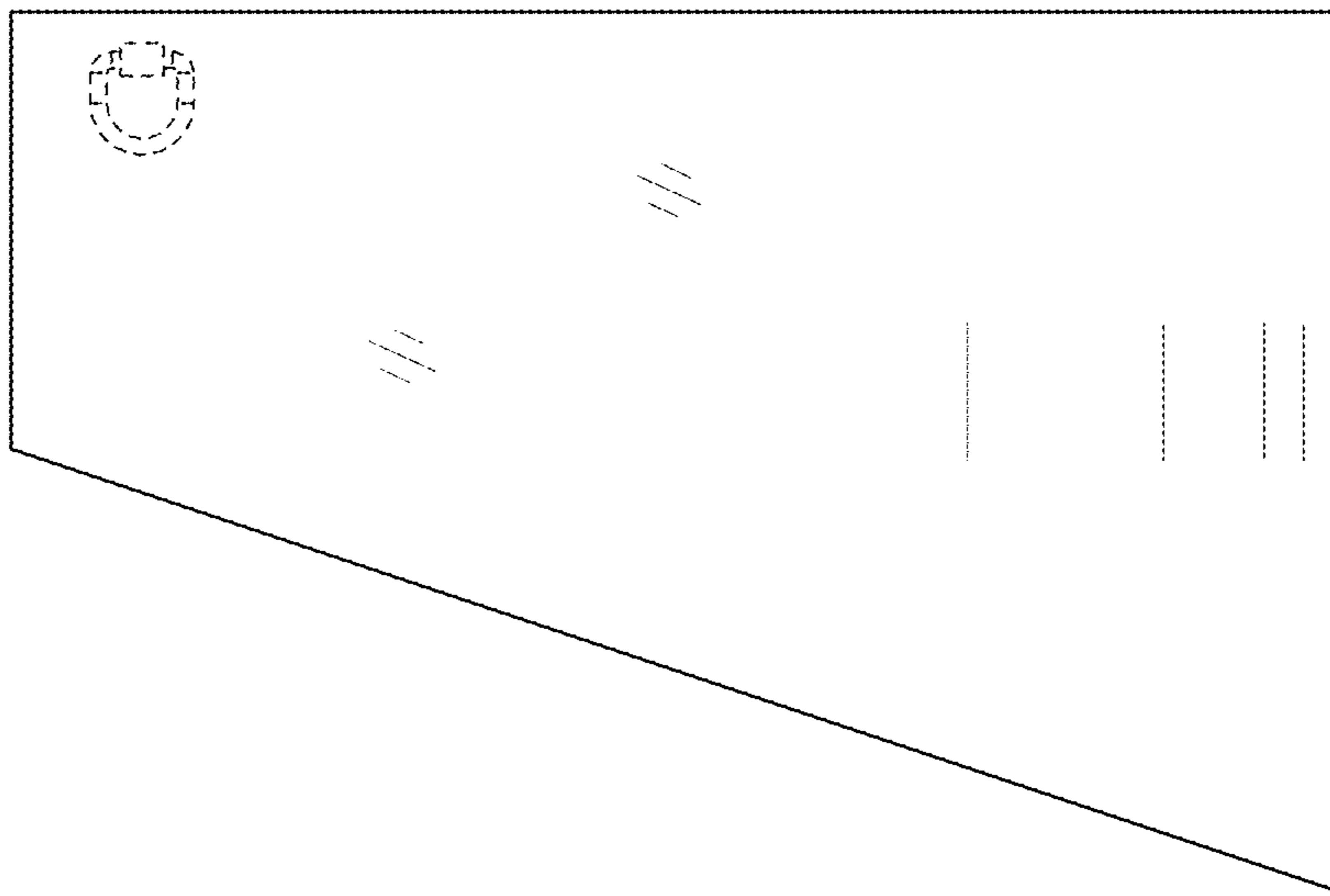


FIG. 2

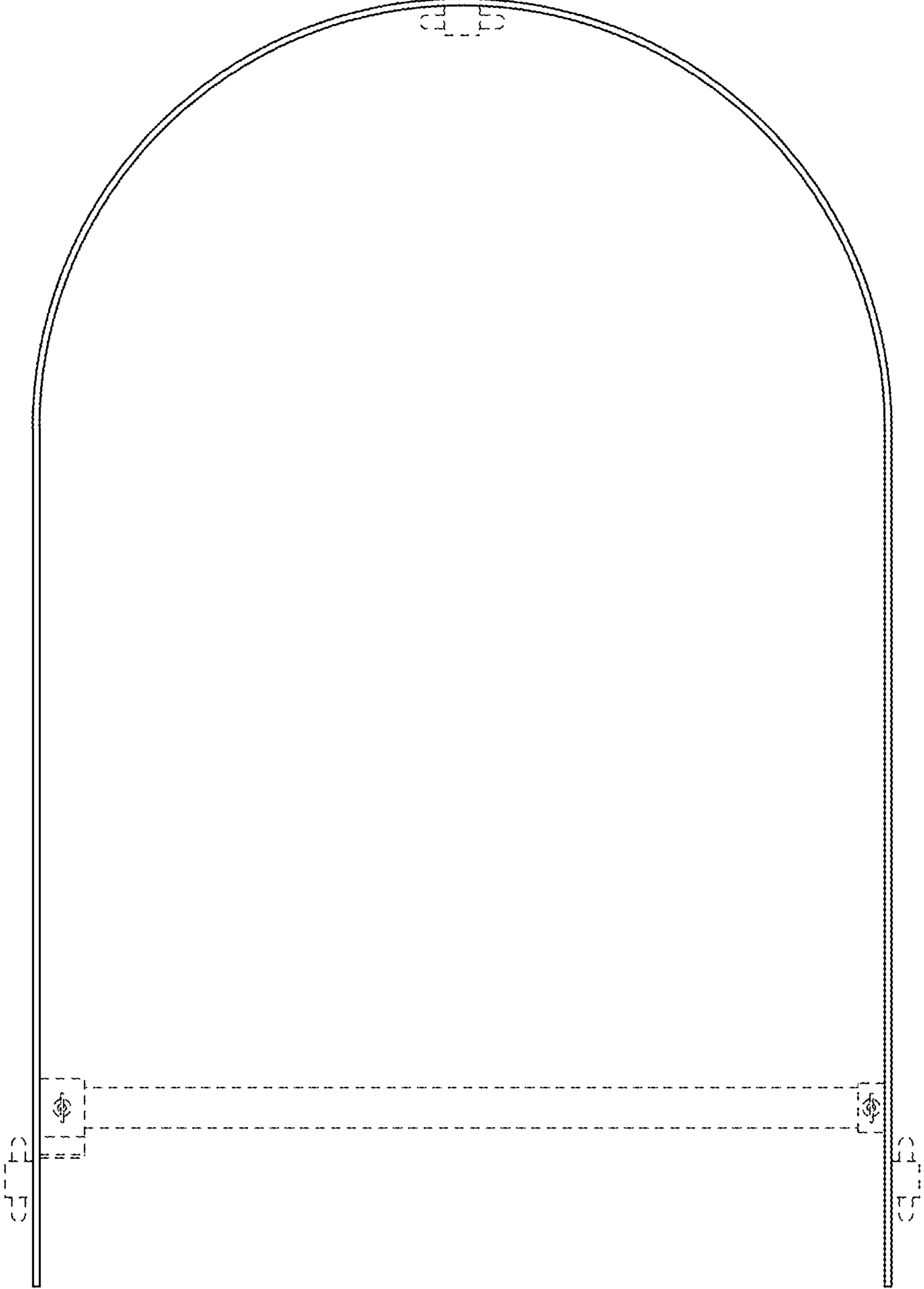


FIG. 3