



US00D968205S

(12) **United States Design Patent**
Lin

(10) **Patent No.:** **US D968,205 S**

(45) **Date of Patent:** **** Nov. 1, 2022**

(54) **CASTER**

(71) Applicant: **Xue Lin**, Zhongshan (CN)

(72) Inventor: **Xue Lin**, Zhongshan (CN)

(**) Term: **15 Years**

(21) Appl. No.: **29/797,954**

(22) Filed: **Jul. 5, 2021**

(51) **LOC (13) Cl.** **08-05**

(52) **U.S. Cl.**
USPC **D8/375**

(58) **Field of Classification Search**
USPC D8/354, 366, 371, 372, 367, 374, 373,
D8/376, 375
See application file for complete search history.

(56) **References Cited**

U.S. PATENT DOCUMENTS

D470,748 S	2/2003	Tsai	
D633,299 S *	3/2011	Moon	D3/318
D755,524 S *	5/2016	Parker	D8/375
D766,073 S	9/2016	Hozumi et al.	

D767,280 S *	9/2016	Parker	D3/318
D802,932 S *	11/2017	Morszeck	D8/375
D802,933 S *	11/2017	Morszeck	D8/375
D811,090 S *	2/2018	Karl	D8/375
D830,569 S *	10/2018	Solomon	D24/215
D841,330 S *	2/2019	Karl	D8/375

* cited by examiner

Primary Examiner — Khawaja Anwar

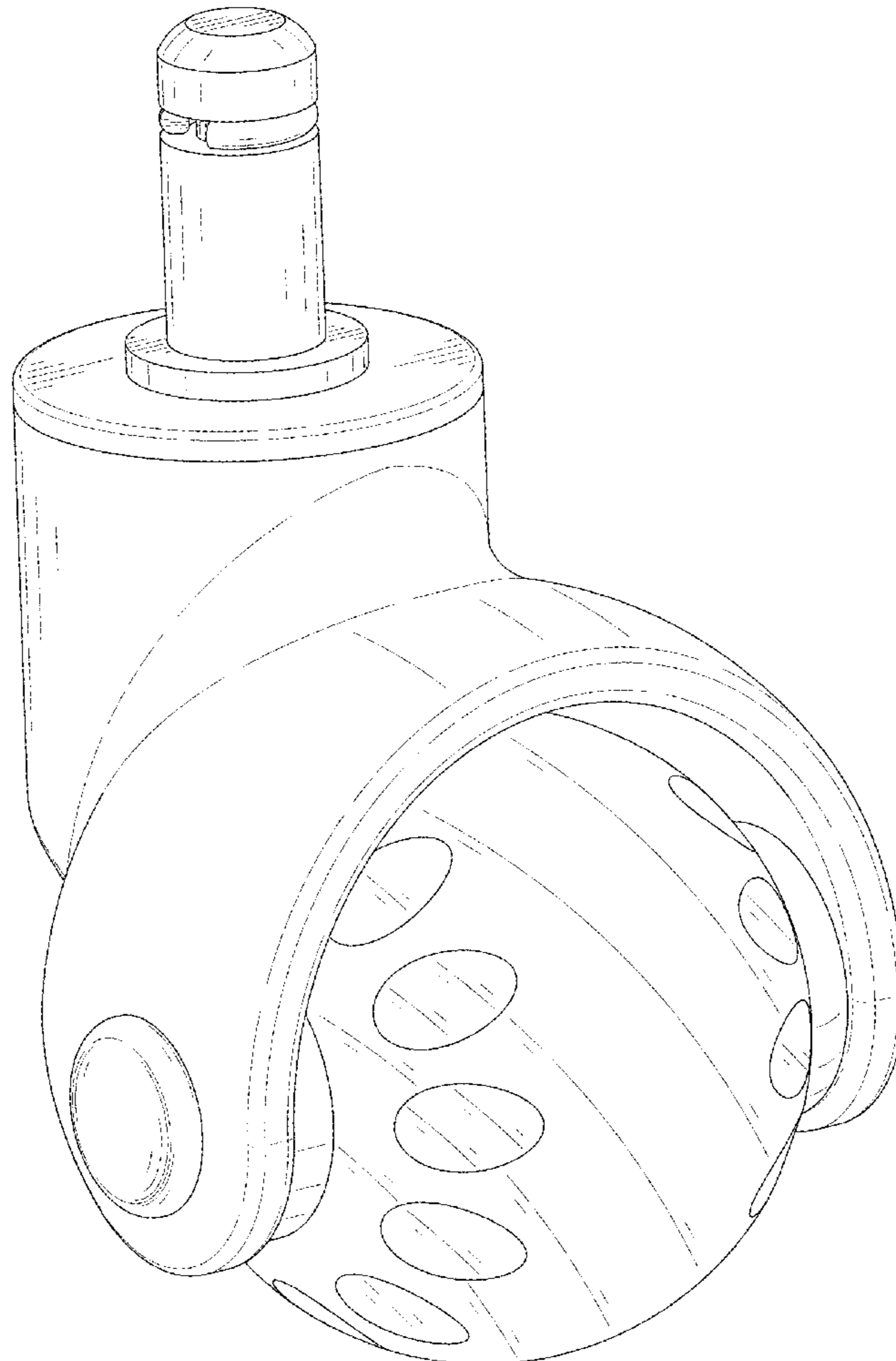
(57) **CLAIM**

The ornamental design for a caster, as shown and described.

DESCRIPTION

FIG. 1 is a perspective view of a caster showing my new design;
FIG. 2 is another perspective view thereof;
FIG. 3 is another perspective view thereof;
FIG. 4 is a front elevational view thereof;
FIG. 5 is a rear elevational view thereof;
FIG. 6 is a left side elevational view thereof;
FIG. 7 is a right side elevational view thereof;
FIG. 8 is a top plan view thereof; and,
FIG. 9 is a bottom plan view thereof.

1 Claim, 9 Drawing Sheets



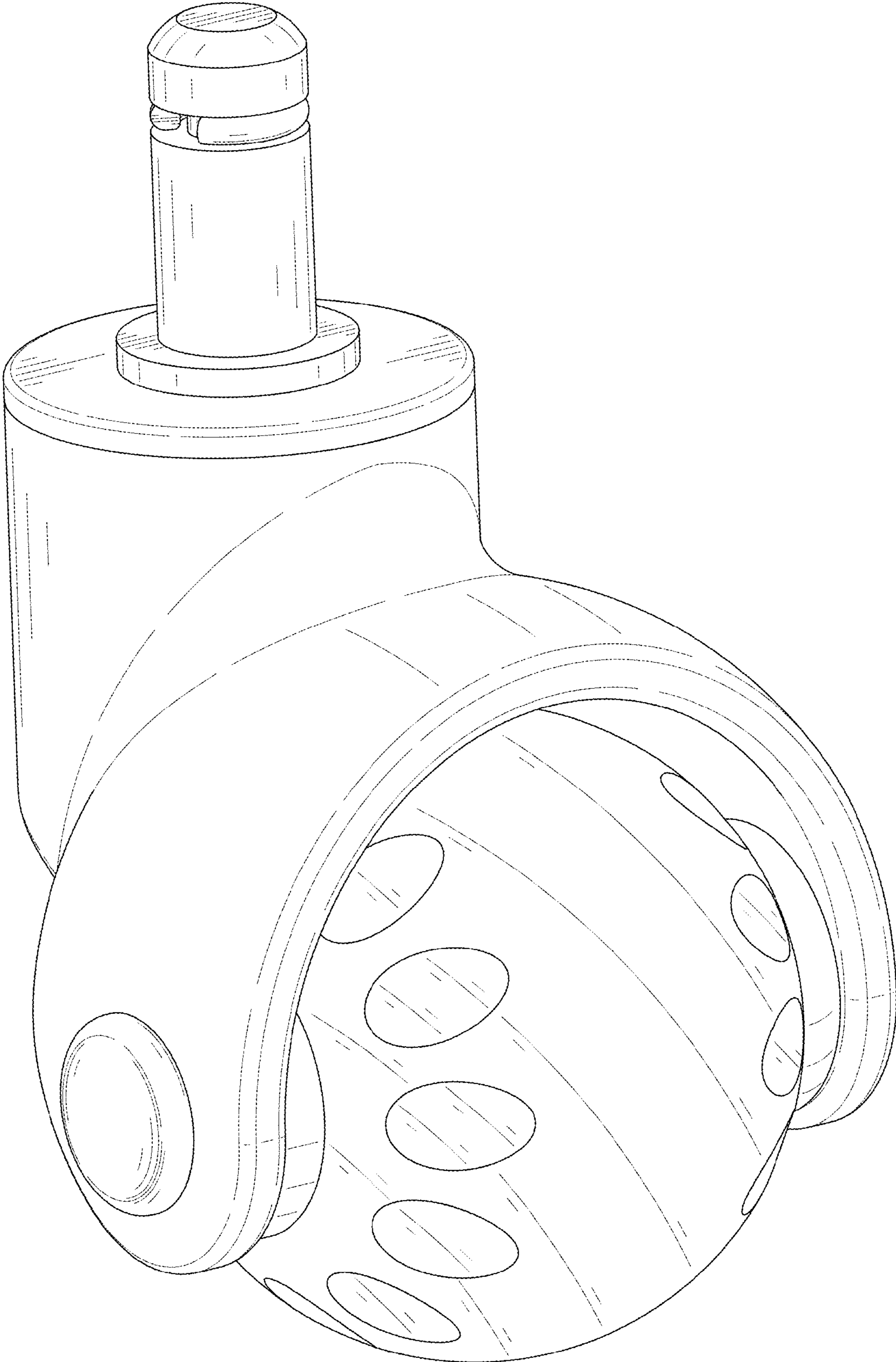


FIG. 1

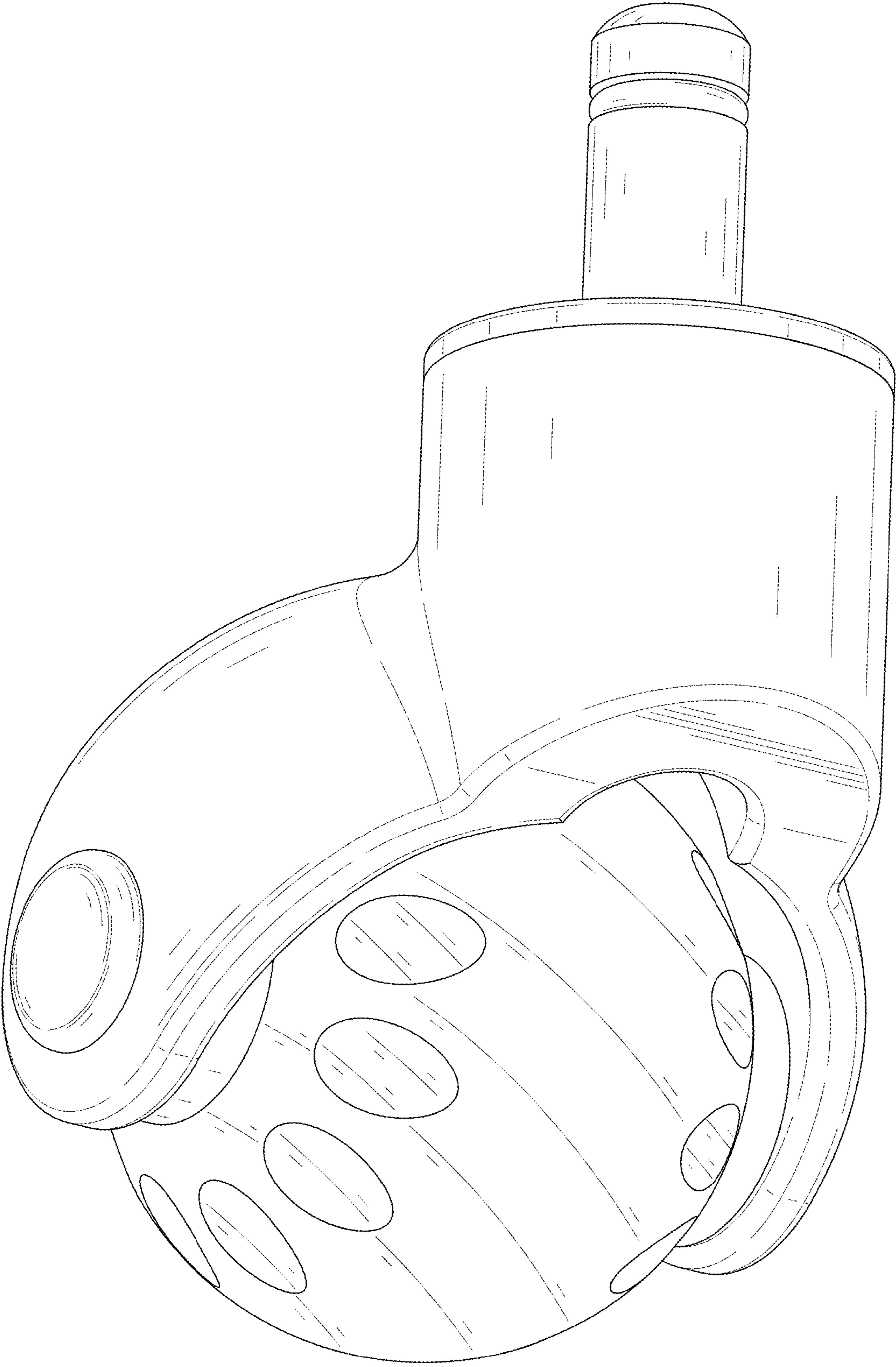


FIG. 2

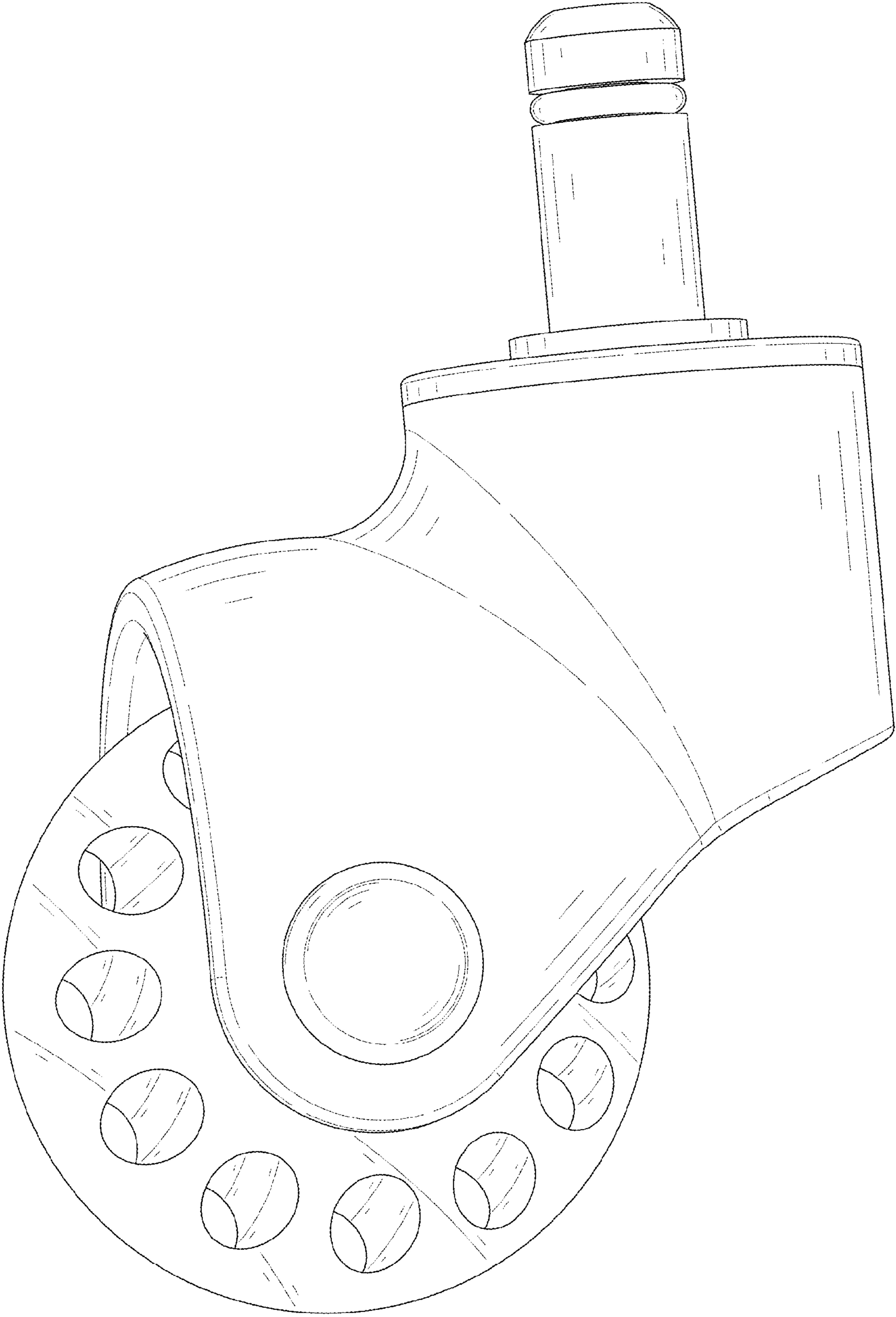


FIG. 3

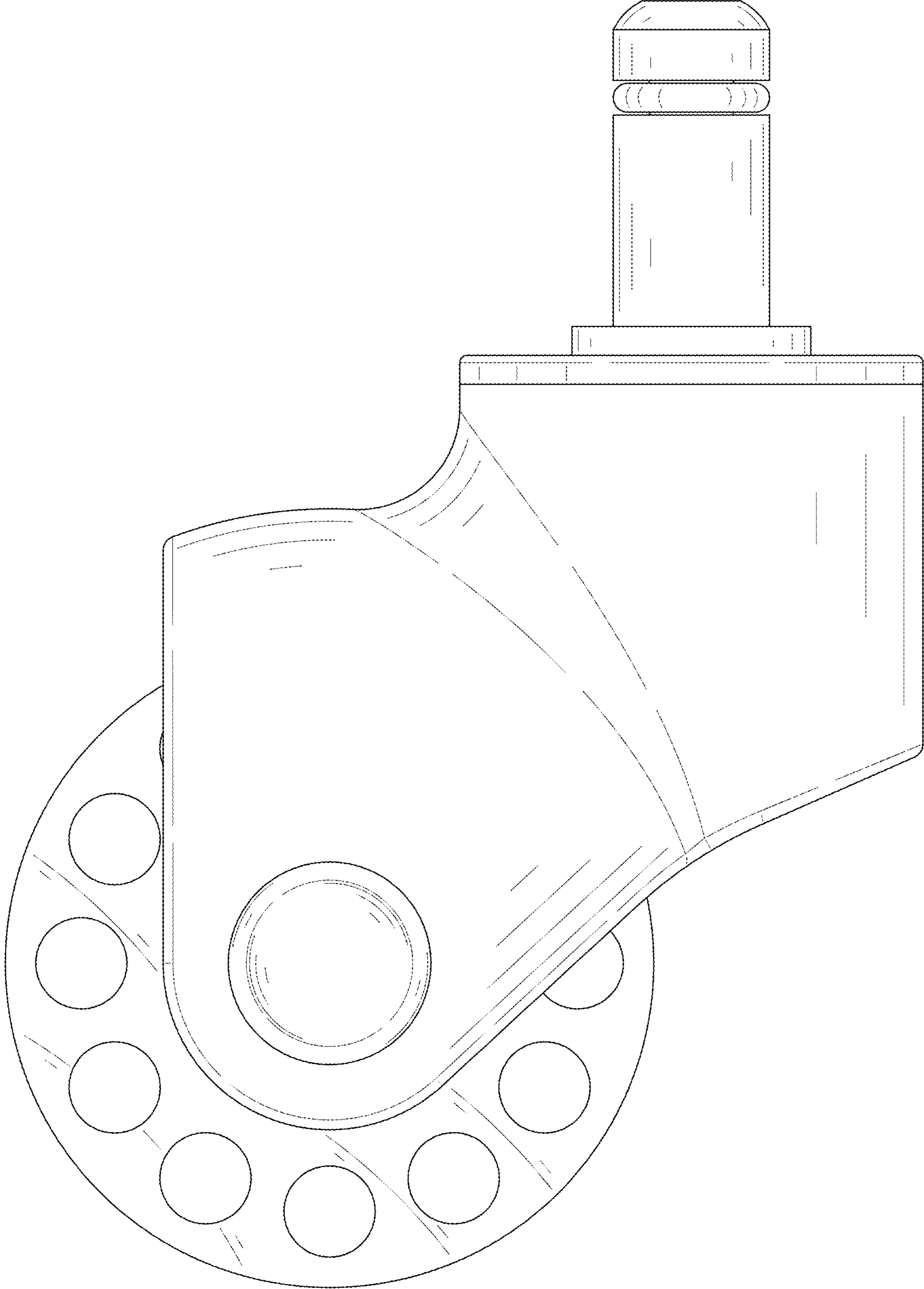


FIG. 4

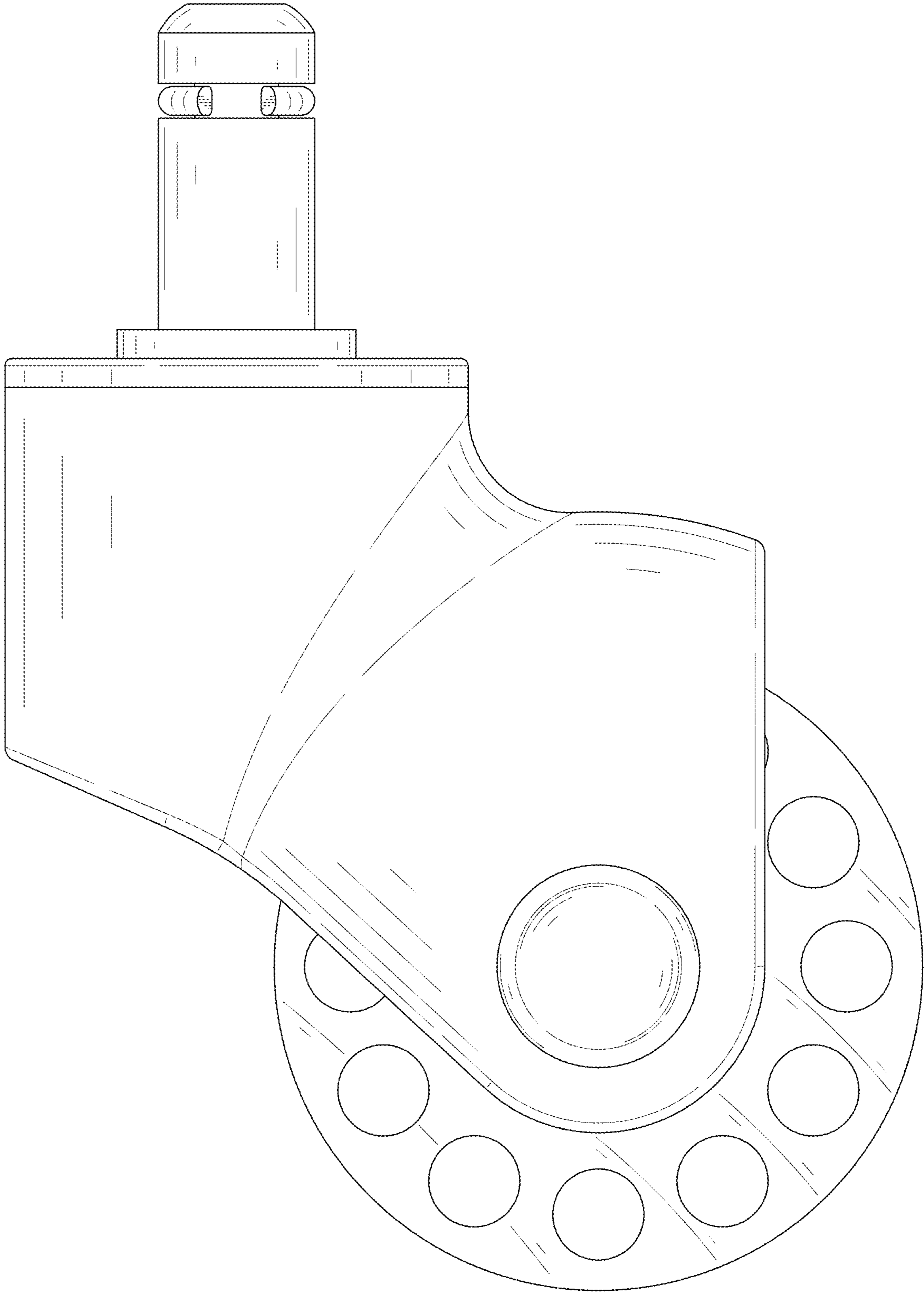


FIG. 5

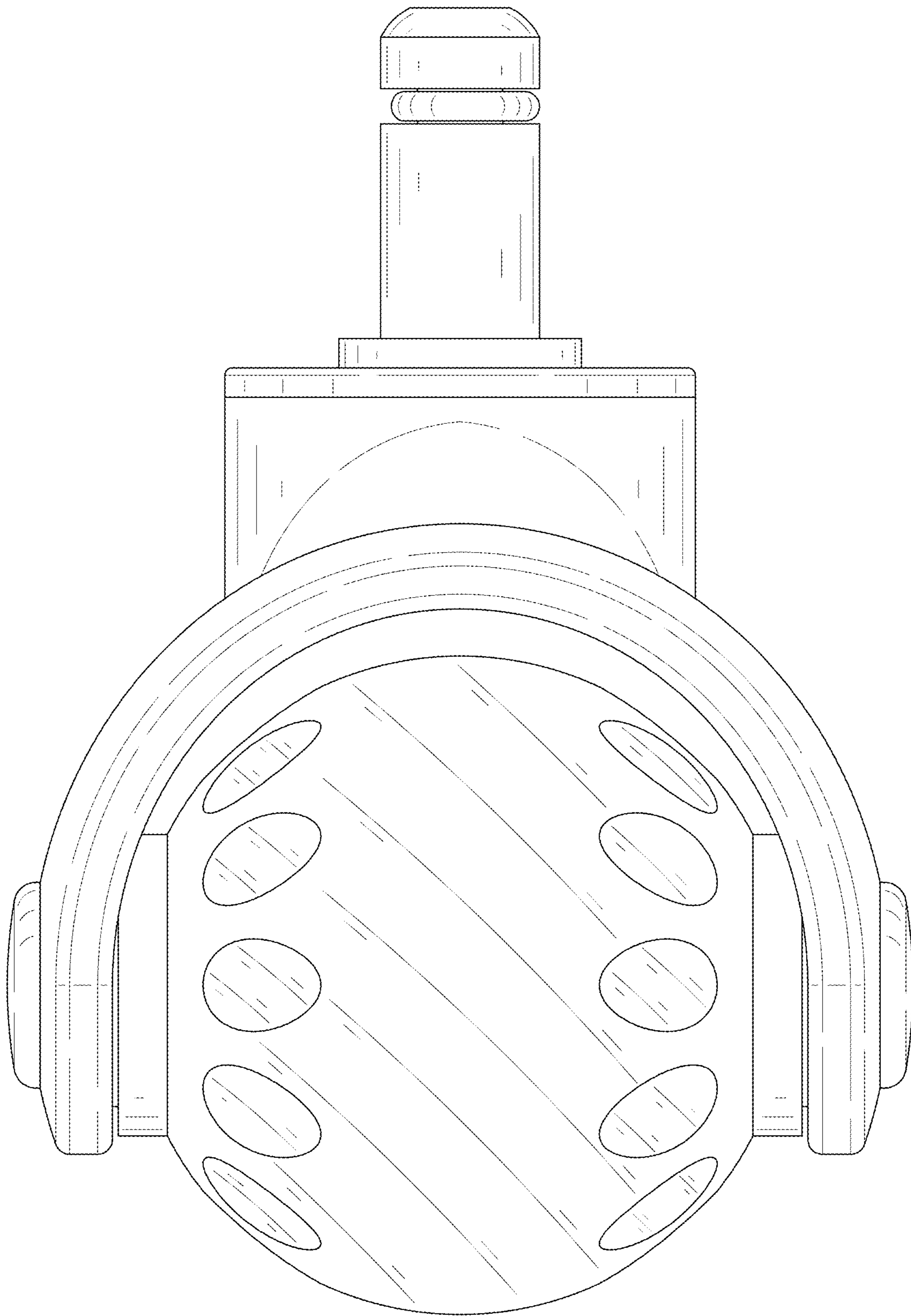


FIG. 6

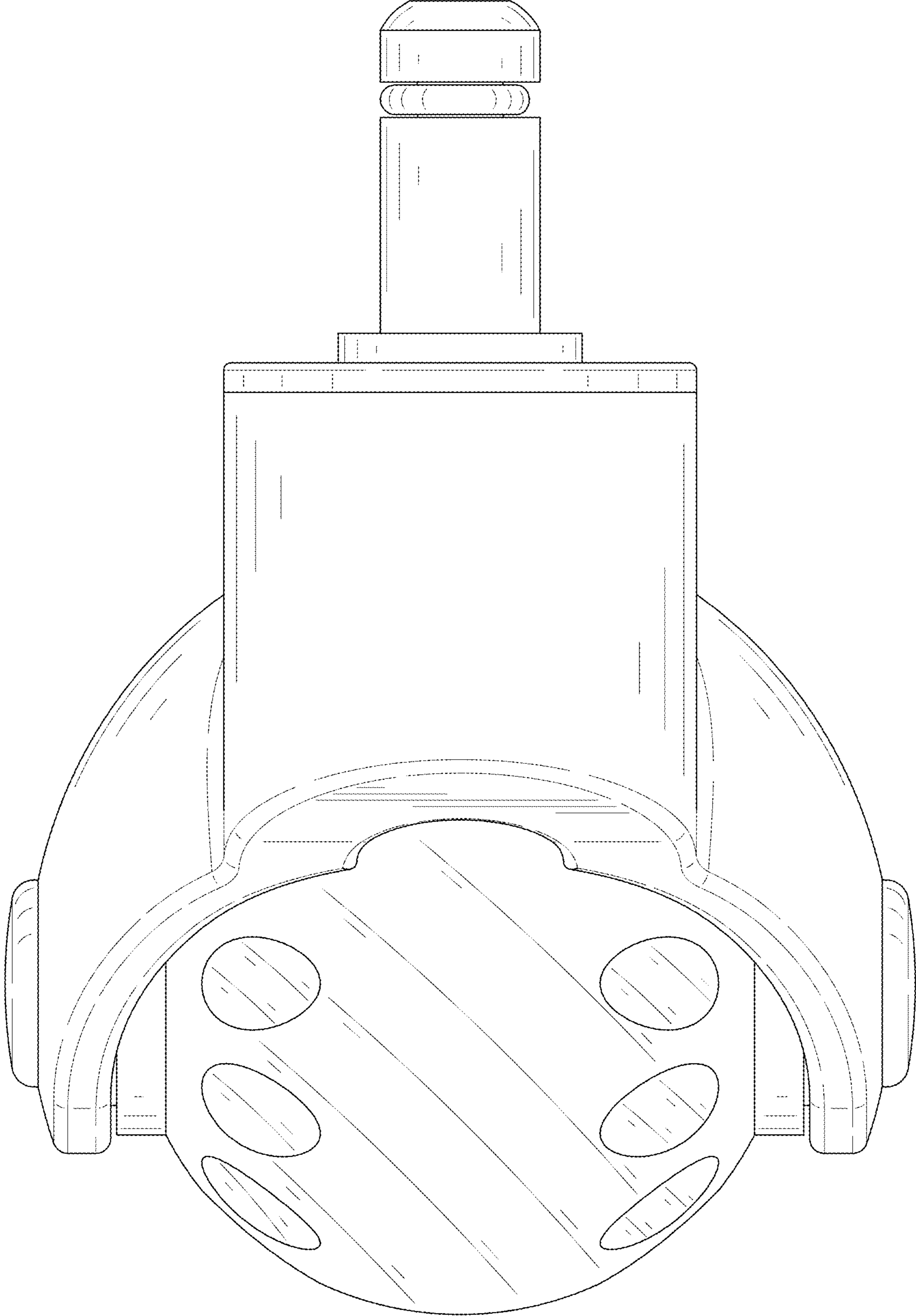


FIG. 7

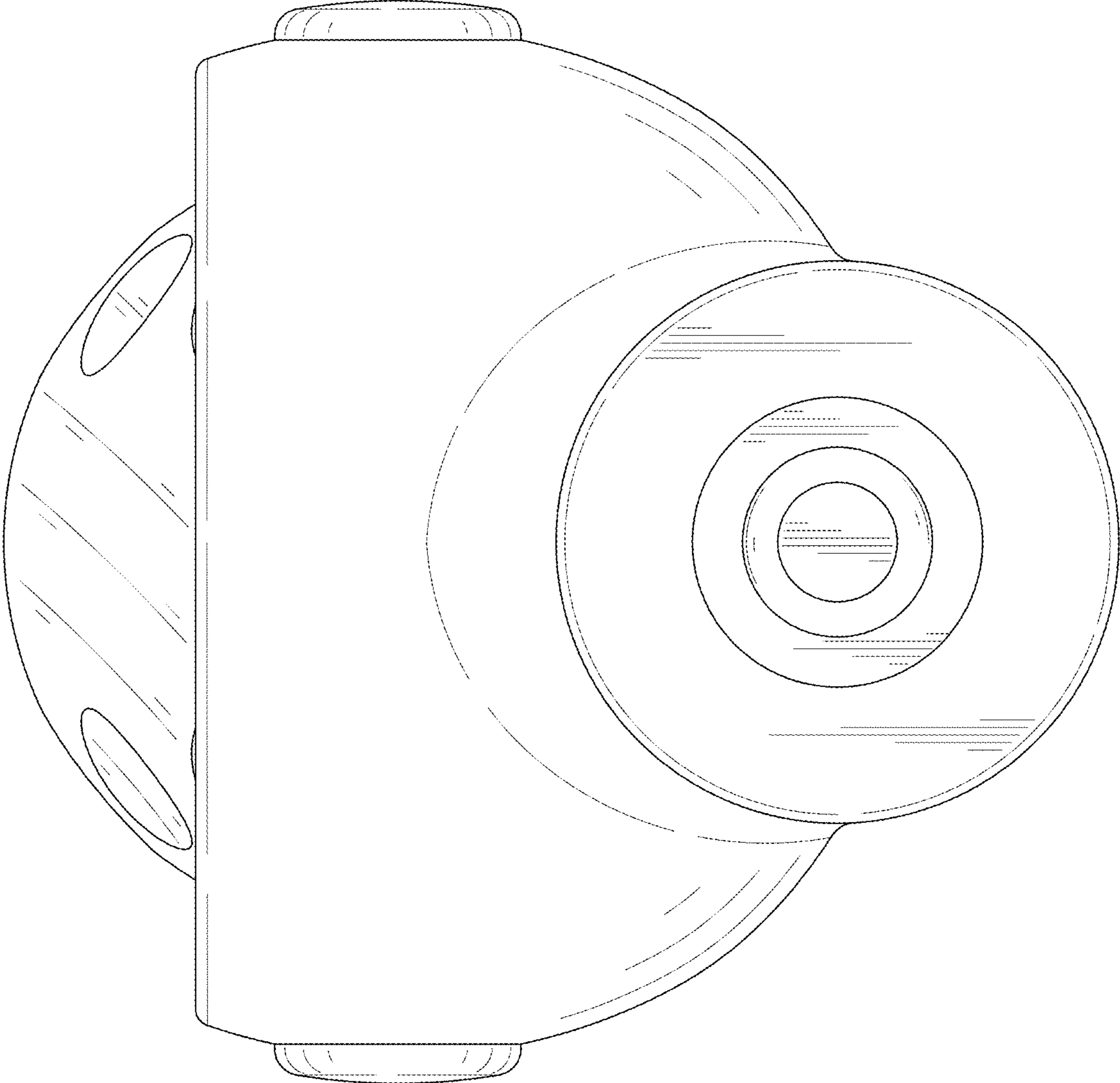


FIG. 8

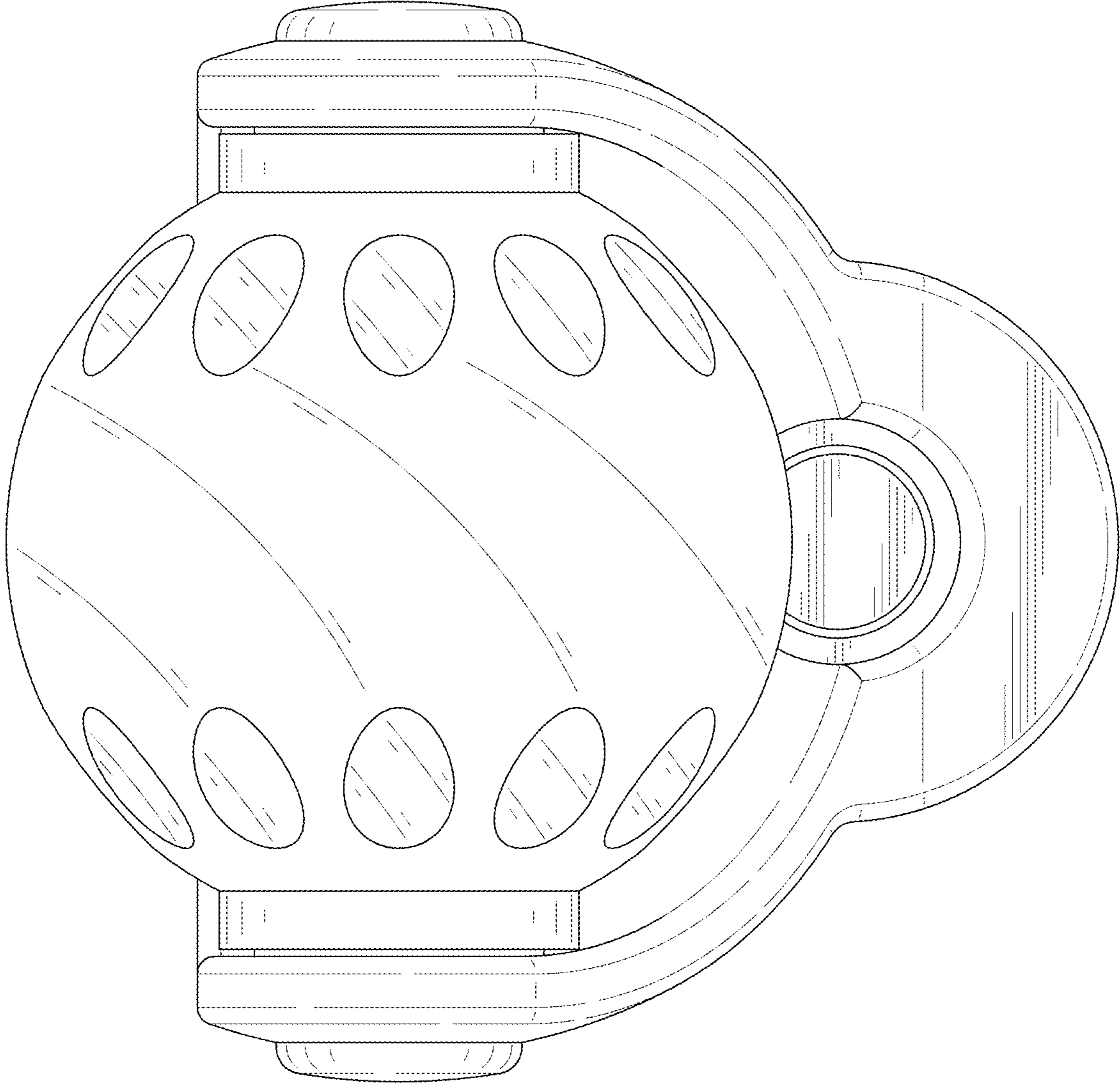


FIG. 9