

US00D968204S

(12) **United States Design Patent** (10) **Patent No.:** **US D968,204 S**
De Bruin (45) **Date of Patent:** **** Nov. 1, 2022**

(54) **FOOT FOR ADJUSTABLE CABINET LEG**

(71) Applicant: **Häfele SE & Co KG**, Nagold (DE)

(72) Inventor: **Wim Jan De Bruin**, Auckland (NZ)

(73) Assignee: **Häfele SE & Co KG**, Nagold (DE)

(**) Term: **15 Years**

(21) Appl. No.: **29/740,080**

(22) Filed: **Jun. 30, 2020**

(51) **LOC (13) Cl.** **08-11**

(52) **U.S. Cl.**
USPC **D8/374**

(58) **Field of Classification Search**
USPC D6/710; D8/315, 321-322, 373-375
CPC A47B 91/00; A47B 91/002; A47B 91/02;
A47B 91/022; A47B 91/028
See application file for complete search history.

(56) **References Cited**

U.S. PATENT DOCUMENTS

D231,900 S *	6/1974	Hewson	D8/373
4,650,143 A *	3/1987	Kurrasch	A47B 9/04
				108/144.11
4,907,770 A *	3/1990	Marchetti	A47B 91/02
				248/188.6
5,088,669 A *	2/1992	Zinnbauer	A47B 91/00
				248/188
D376,713 S *	12/1996	Kelso	D6/709.18
D377,448 S *	1/1997	Nakamura	D8/374
5,906,344 A *	5/1999	Atkinson	A47C 7/002
				248/188.9
D463,732 S *	10/2002	MacDonald	D8/374
D497,746 S *	11/2004	Haney	D6/710
D640,886 S *	7/2011	Glass	D6/710
D692,285 S *	10/2013	Pratt	D8/29
D787,871 S *	5/2017	Roso	D6/710
D796,882 S *	9/2017	De Bruin	D6/710
D802,405 S *	11/2017	Chang	D8/374
D810,209 S *	2/2018	Gibbs	D21/522

D816,468 S *	5/2018	Quintile	D8/374
2013/0240688 A1 *	9/2013	Schwartz	A47B 91/024
				248/125.8
2016/0235200 A1 *	8/2016	De Bruin	F16M 11/24

(Continued)

OTHER PUBLICATIONS

“Hafele 63501001 Leveler”, Jun. 2016, HomeDecorHardware.com, site visited Nov. 8, 2021: <https://www.homedecorhardware.com/hf-635-01-001.html#pdf-spec> (Year: 2016).*
(Continued)

Primary Examiner — Jack Reickel
Assistant Examiner — Michael A Kervin
(74) *Attorney, Agent, or Firm* — JCIP; Joseph G. Chu; Jeremy I. Maynard

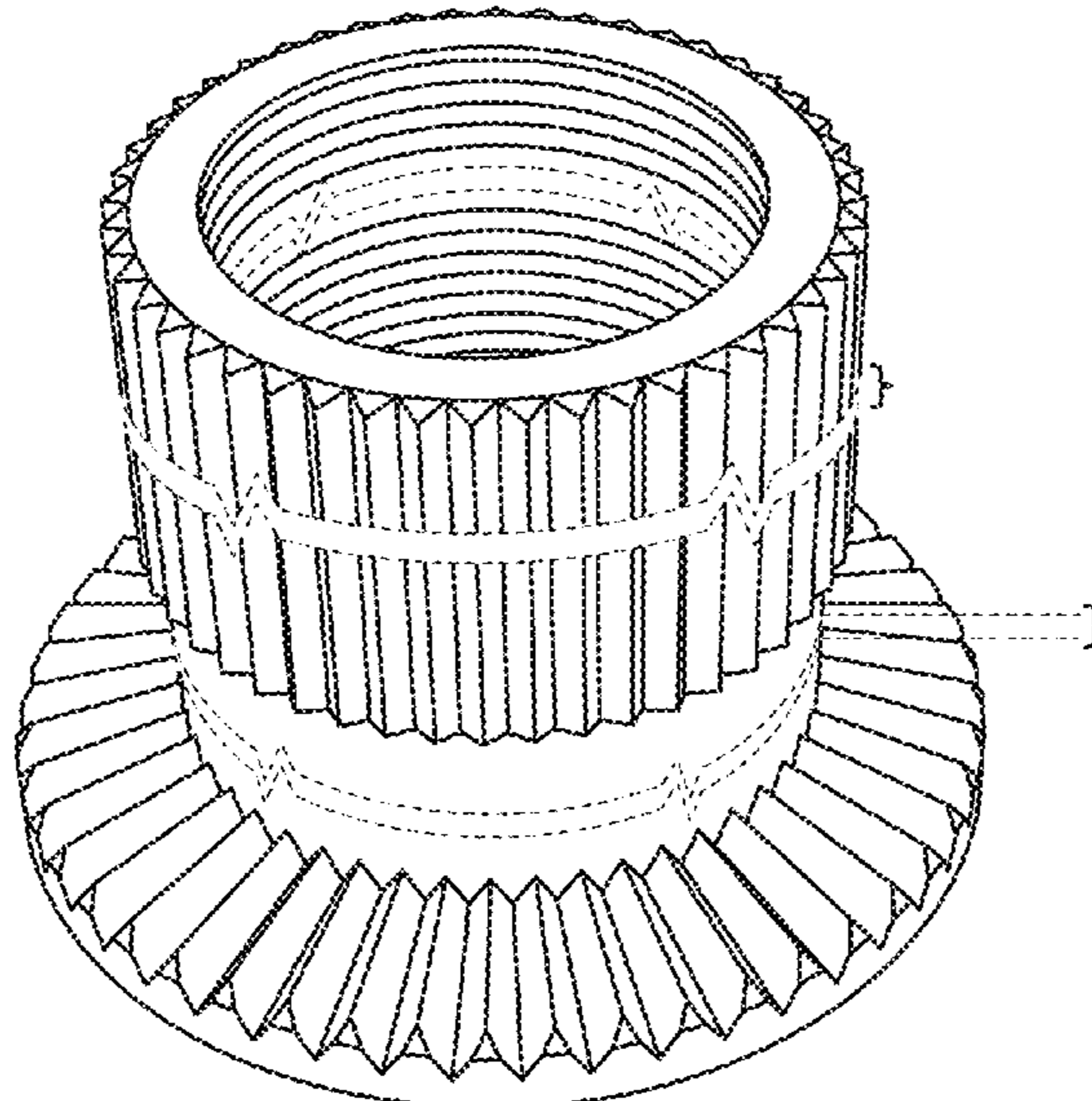
(57) **CLAIM**

The ornamental design for a foot for adjustable cabinet leg, as shown and described.

DESCRIPTION

FIG. 1 is a top perspective view of a foot for adjustable cabinet leg;
FIG. 2 is a bottom perspective view of the foot for adjustable cabinet leg;
FIG. 3 is a top view of the foot for adjustable cabinet leg;
FIG. 4 is a bottom view of the foot for adjustable cabinet leg;
and,
FIG. 5 is a side view of the foot for adjustable cabinet leg, the left side, right side, front side, and back side being identical.
The foot for adjustable cabinet leg is shown with symbolic breaks in its length in FIG. 1-2 & 5, represented by break lines. The break lines and appearance of any portion of the article between the break lines form no part of the claimed subject matter.

1 Claim, 3 Drawing Sheets



(56)

References Cited

U.S. PATENT DOCUMENTS

2018/0368574 A1* 12/2018 Cattaneo A47B 91/028
2021/0315381 A1* 10/2021 Cattaneo A47B 91/028

OTHER PUBLICATIONS

“Hafele AXILO Plinth System”, Jul. 12, 2017, YouTube.com, site visited Nov. 8, 2021: <https://www.youtube.com/watch?v=-TfbMA0pWV0> (Year: 2017).*

“HRD Bronze Adjustable Tv Cabinet Feet”, Jan. 8, 2020, Amazon.co.uk, site visited Nov. 8, 2021: <https://www.amazon.co.uk/HRD-Furniture-Adjustable-Cylindrical-3-2-4-8in/dp/B083LDVZML?th=1> (Year: 2020).*

* cited by examiner

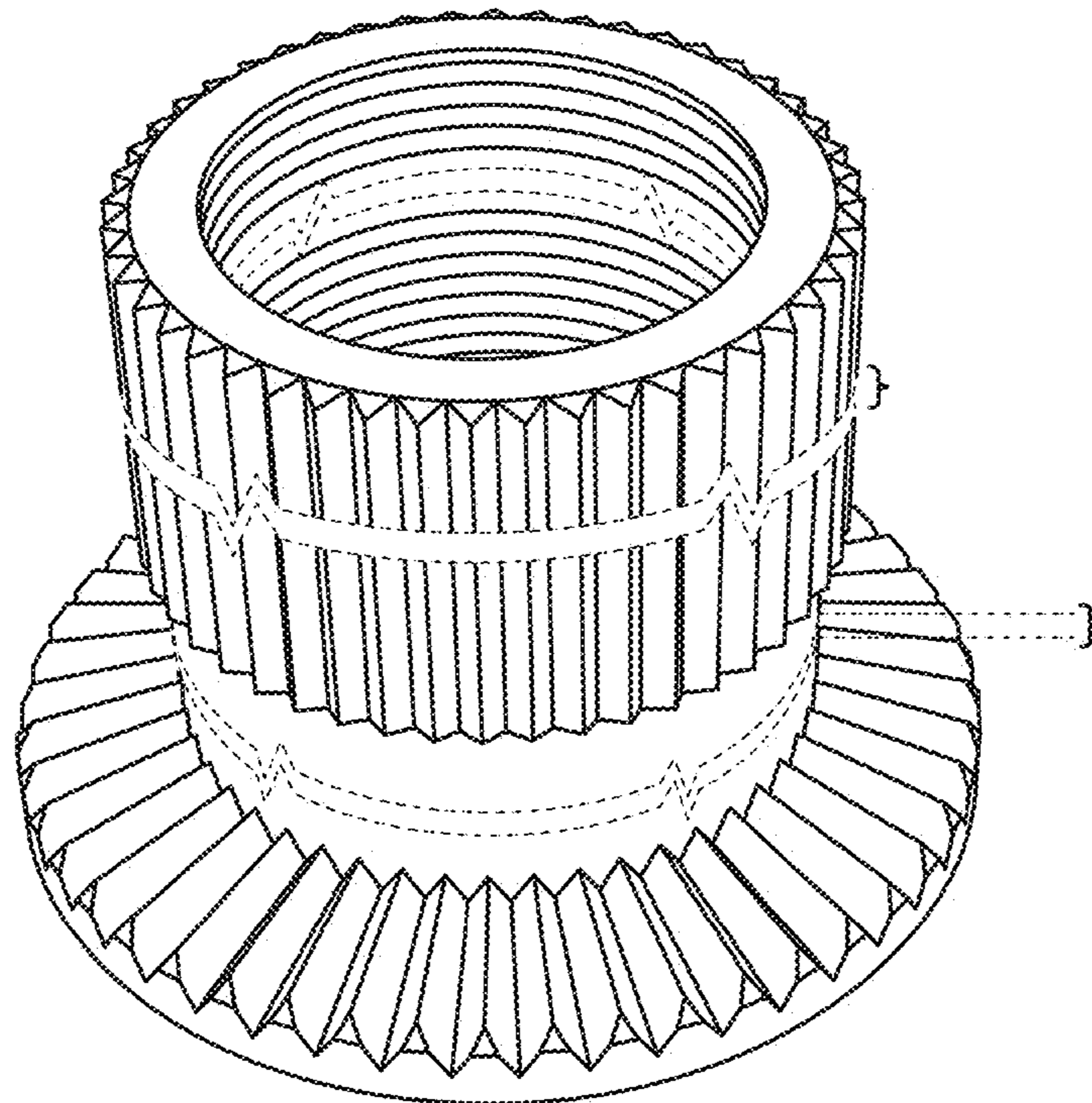


FIG. 1

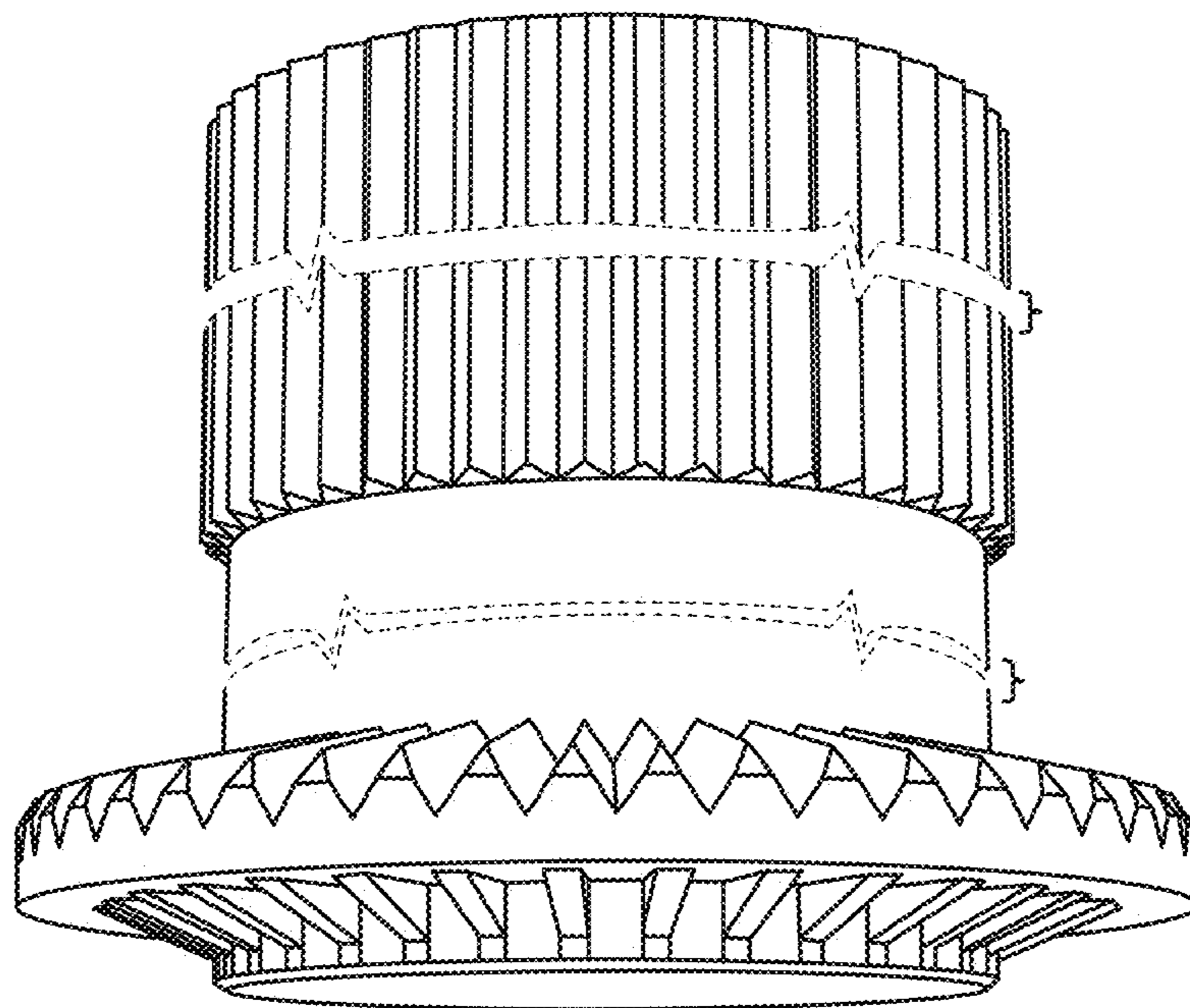


FIG. 2

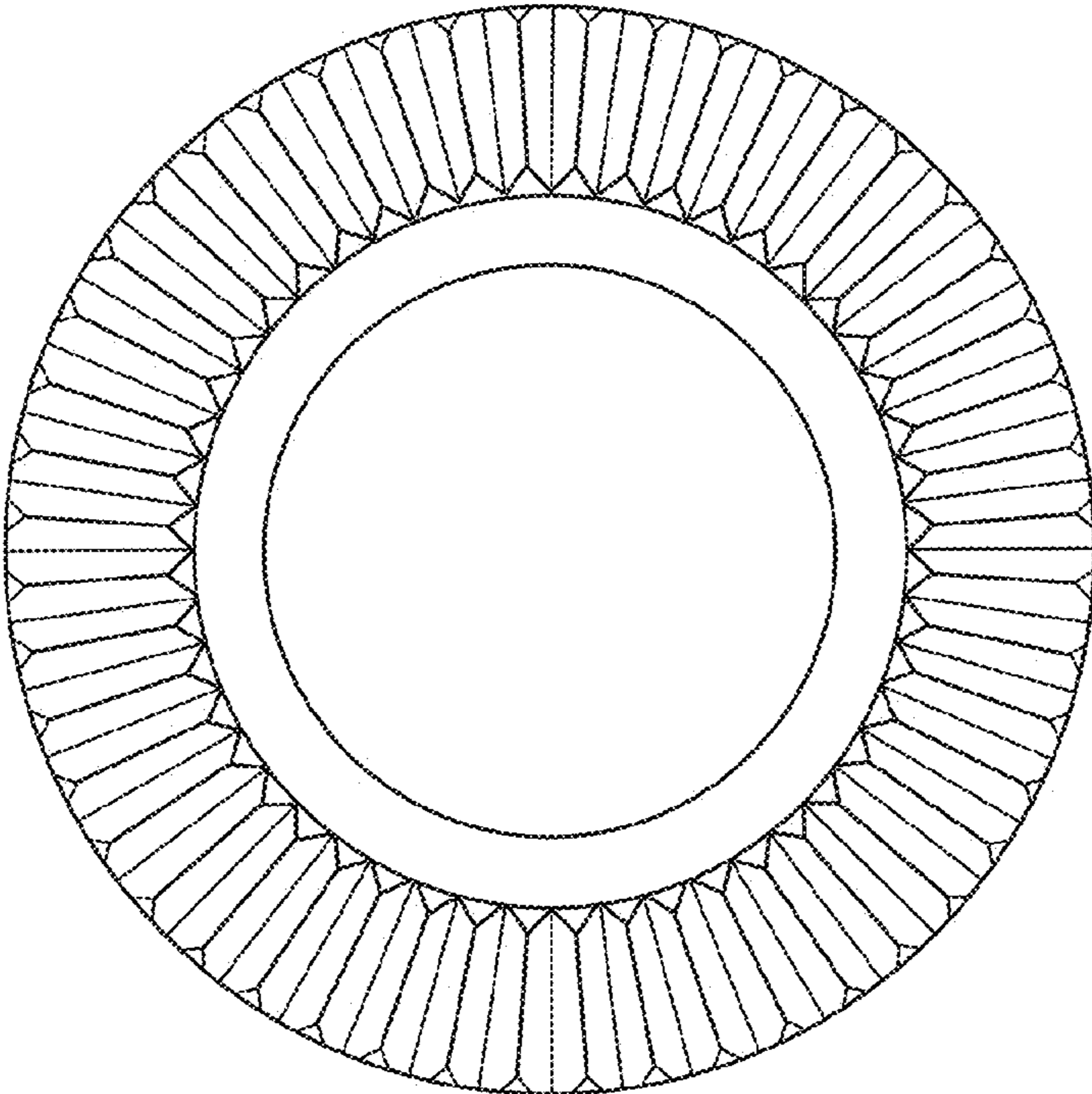


FIG. 3

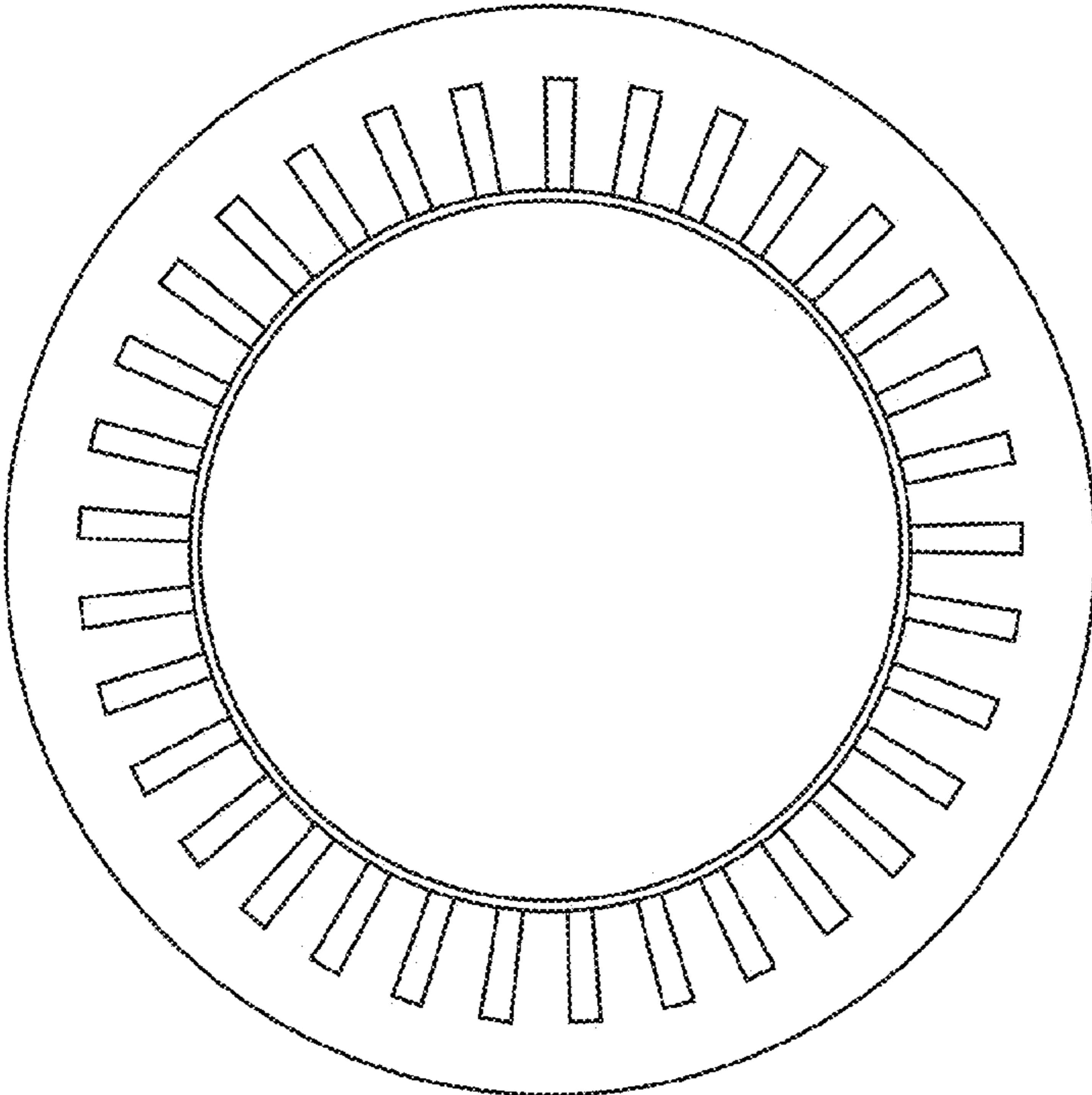


FIG. 4

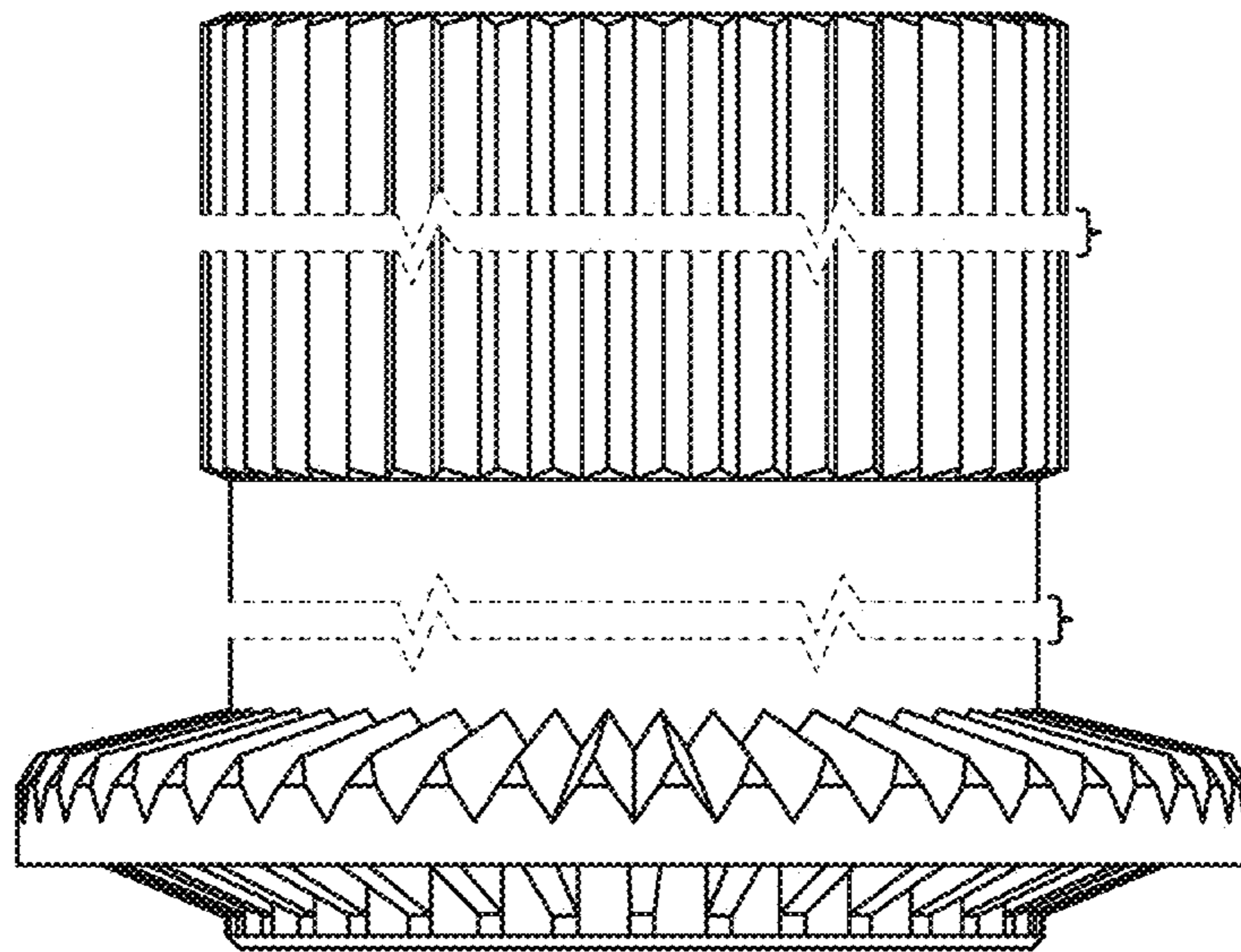


FIG. 5