



US00D968203S

(12) **United States Design Patent**
Zeng

(10) **Patent No.:** **US D968,203 S**

(45) **Date of Patent:** **** Nov. 1, 2022**

(54) **HOOKS**

(71) Applicant: **Jinming Zeng**, Chaozhou (CN)

(72) Inventor: **Jinming Zeng**, Chaozhou (CN)

(**) Term: **15 Years**

(21) Appl. No.: **29/801,261**

(22) Filed: **Jul. 28, 2021**

(51) **LOC (13) Cl.** **08-03**

(52) **U.S. Cl.**
USPC **D8/373**

(58) **Field of Classification Search**
USPC D8/373, 358, 359, 354, 370, 71, 330,
D8/336, 351, 356, 360.1, 363, 364, 367,
D8/372, 379, 381, 382, 395, 396;
D6/349, 352
See application file for complete search history.

(56) **References Cited**

U.S. PATENT DOCUMENTS

D516,413 S *	3/2006	Anderson	D8/373
D577,576 S *	9/2008	Ernst	D8/373
D609,940 S *	2/2010	Samu	D8/373
D633,372 S *	3/2011	Ayrest	D8/372
D637,187 S *	5/2011	Burns	D14/253
D637,893 S *	5/2011	Yon	D8/373
D655,986 S *	3/2012	Schneider	D8/380
D677,505 S *	3/2013	Walton	D6/552
D700,045 S *	2/2014	Ritter	D8/373
D701,449 S *	3/2014	Xiao	D8/373

D711,213 S *	8/2014	Schorn	D8/373
D721,572 S *	1/2015	Dias	D8/373
D742,729 S *	11/2015	Morrison	D8/373
D759,475 S	6/2016	Banno		
D799,314 S	10/2017	Adams, IV		
D917,268 S *	4/2021	Garcia	D8/373
D931,091 S *	9/2021	Blakely	D8/373
D937,617 S *	12/2021	Tang	D6/682.5
D957,922 S *	7/2022	Fischetto	D8/373

FOREIGN PATENT DOCUMENTS

CN	304603957 S	5/2018
CN	305542173 S	1/2020

* cited by examiner

Primary Examiner — Khawaja Anwar

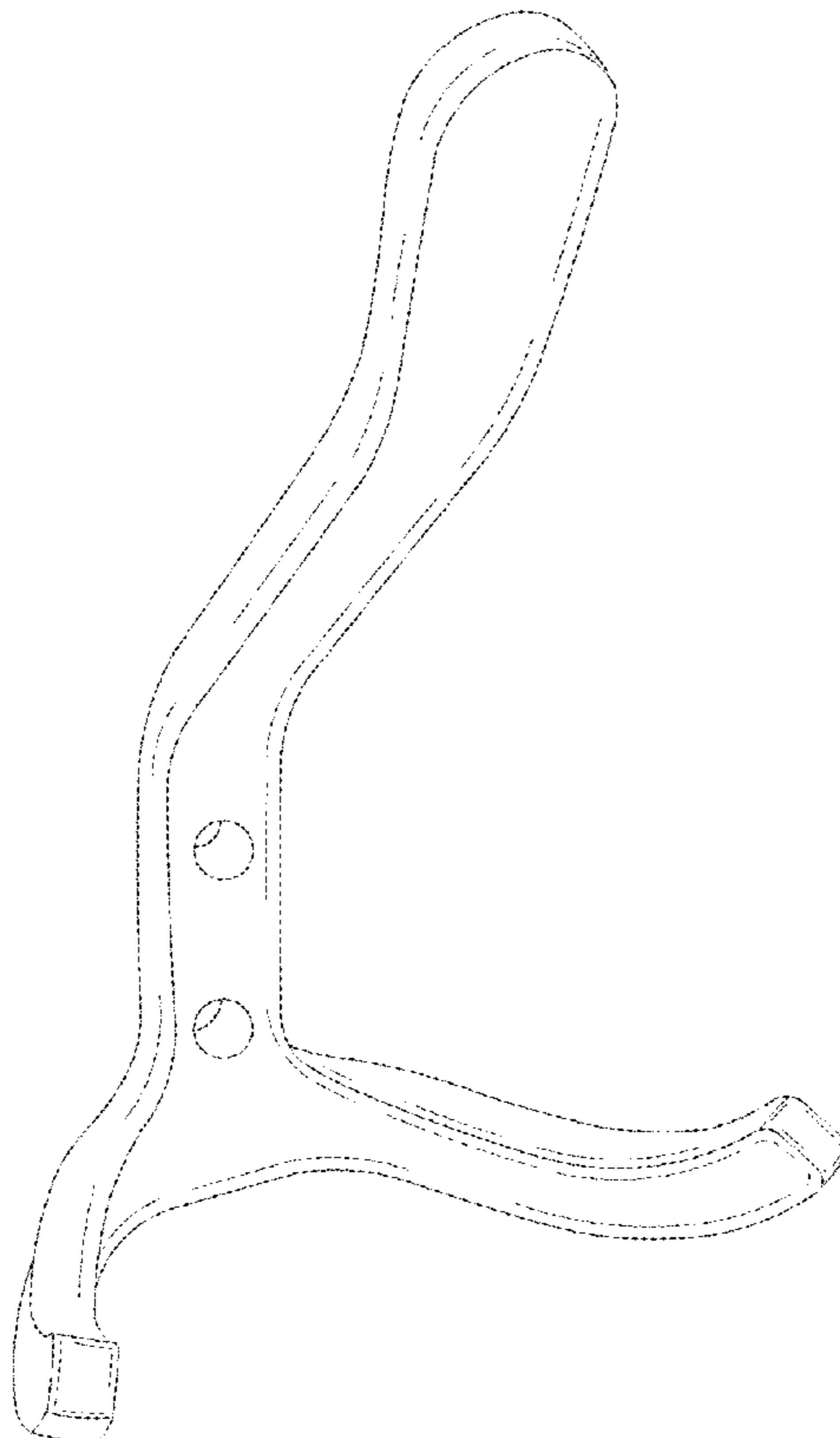
(57) **CLAIM**

The ornamental design for hooks, as shown and described.

DESCRIPTION

FIG. 1 is a top, front and left side perspective view of hooks showing our new design;
FIG. 2 is a front side perspective view thereof;
FIG. 3 is a rear elevational view thereof;
FIG. 4 is a left elevational view thereof;
FIG. 5 is a right side elevational view thereof;
FIG. 6 is a top side elevational view thereof; and,
FIG. 7 is a bottom elevational view thereof.

1 Claim, 7 Drawing Sheets



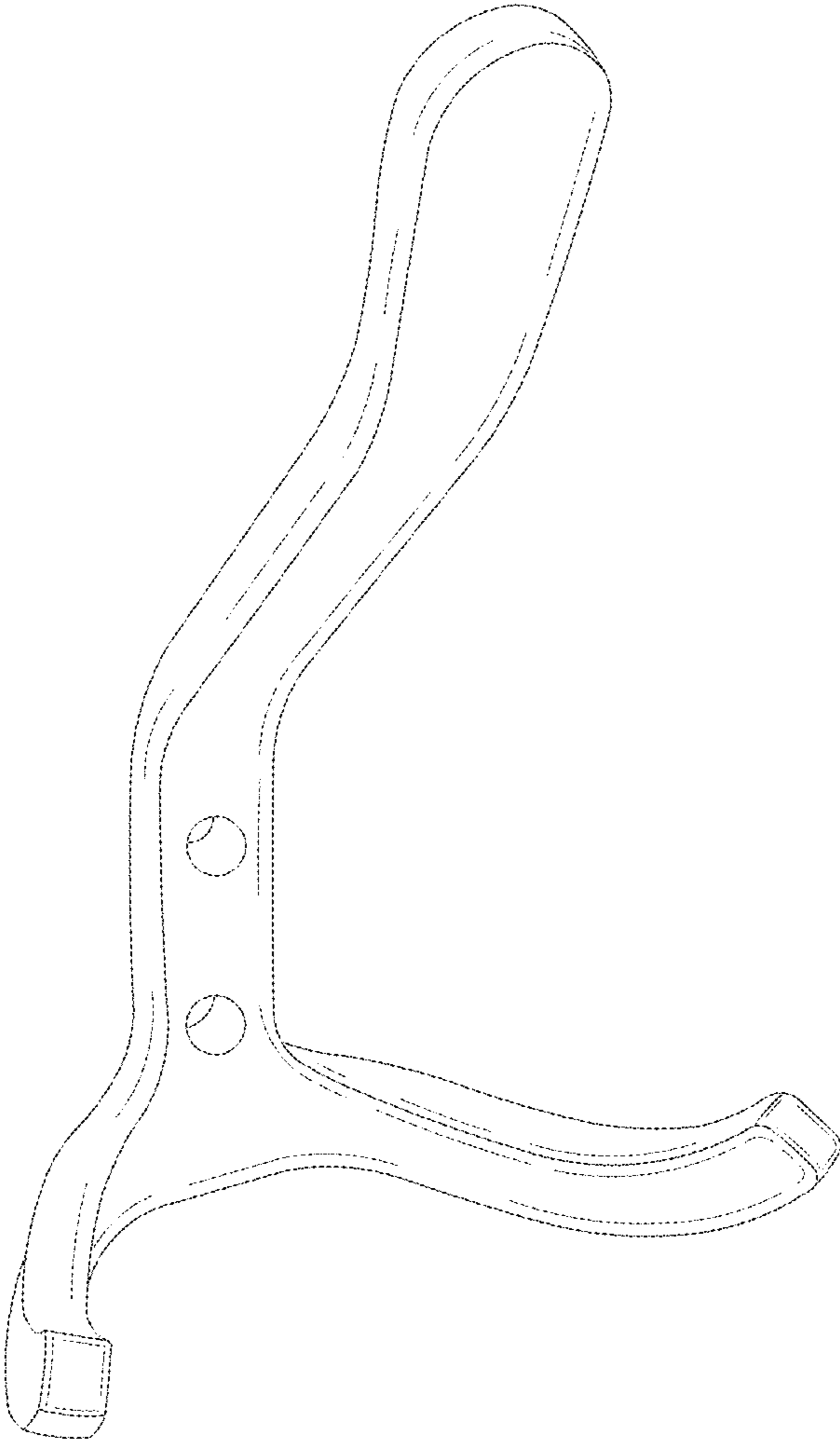


FIG.1

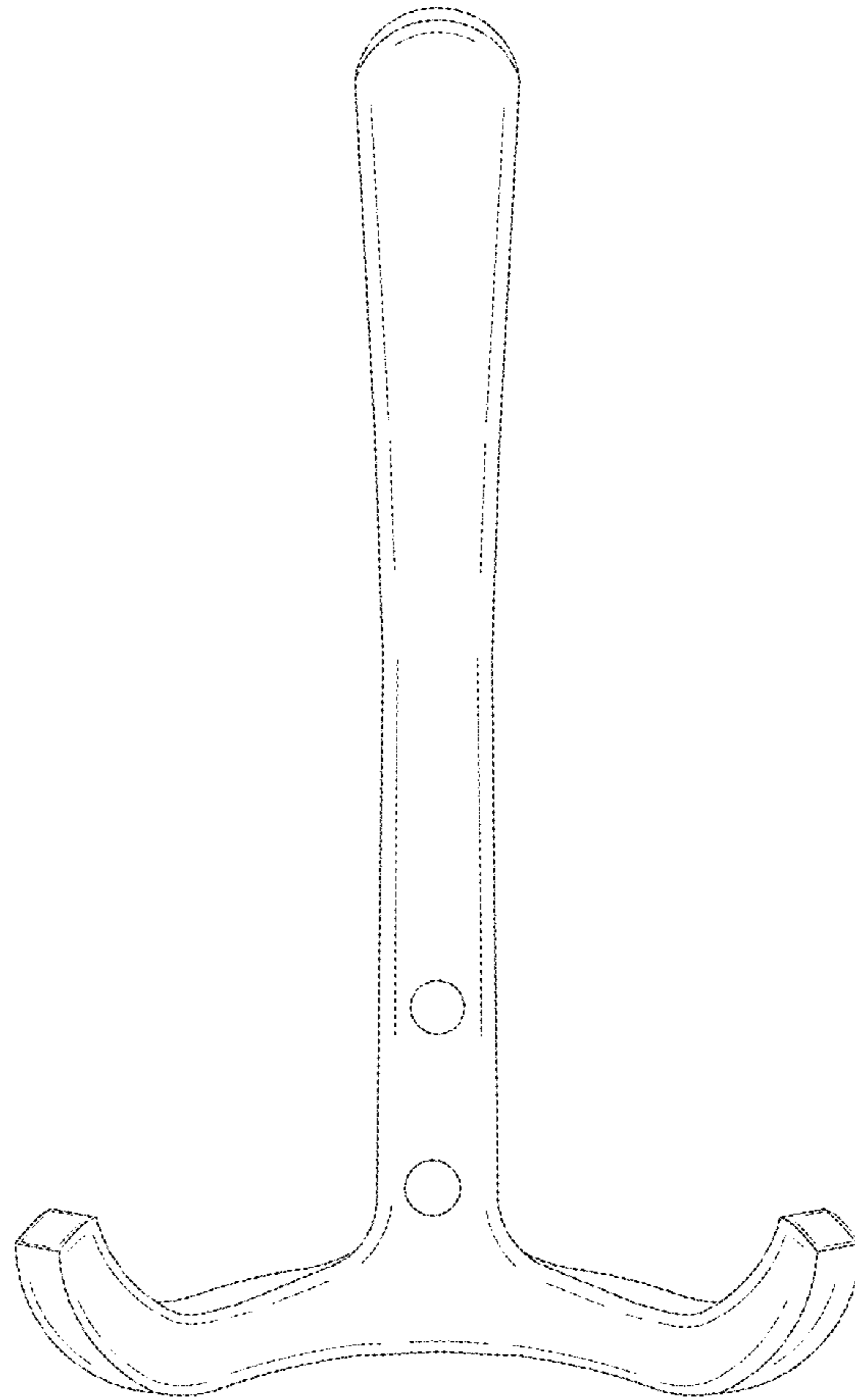


FIG.2

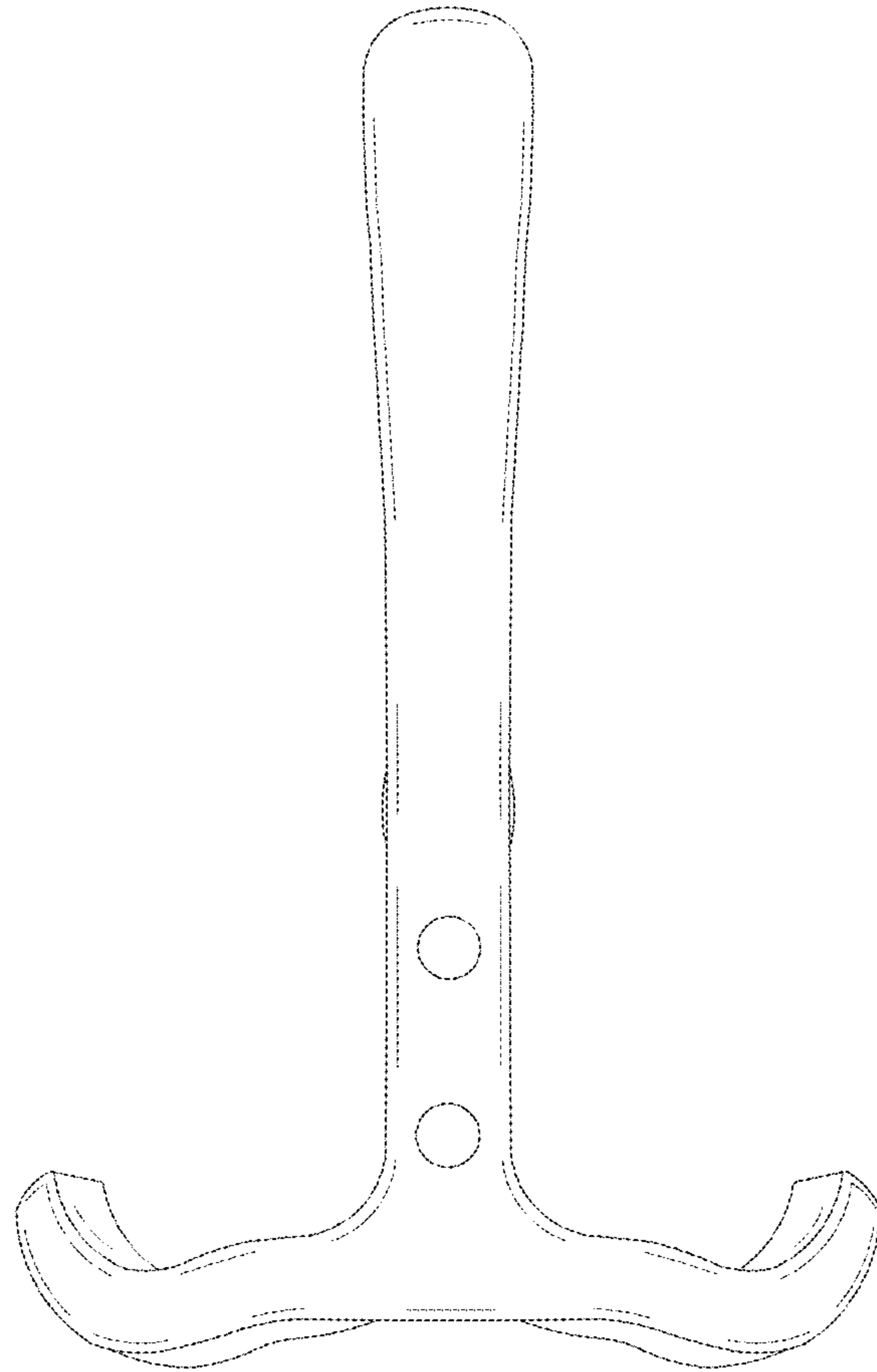


FIG. 3

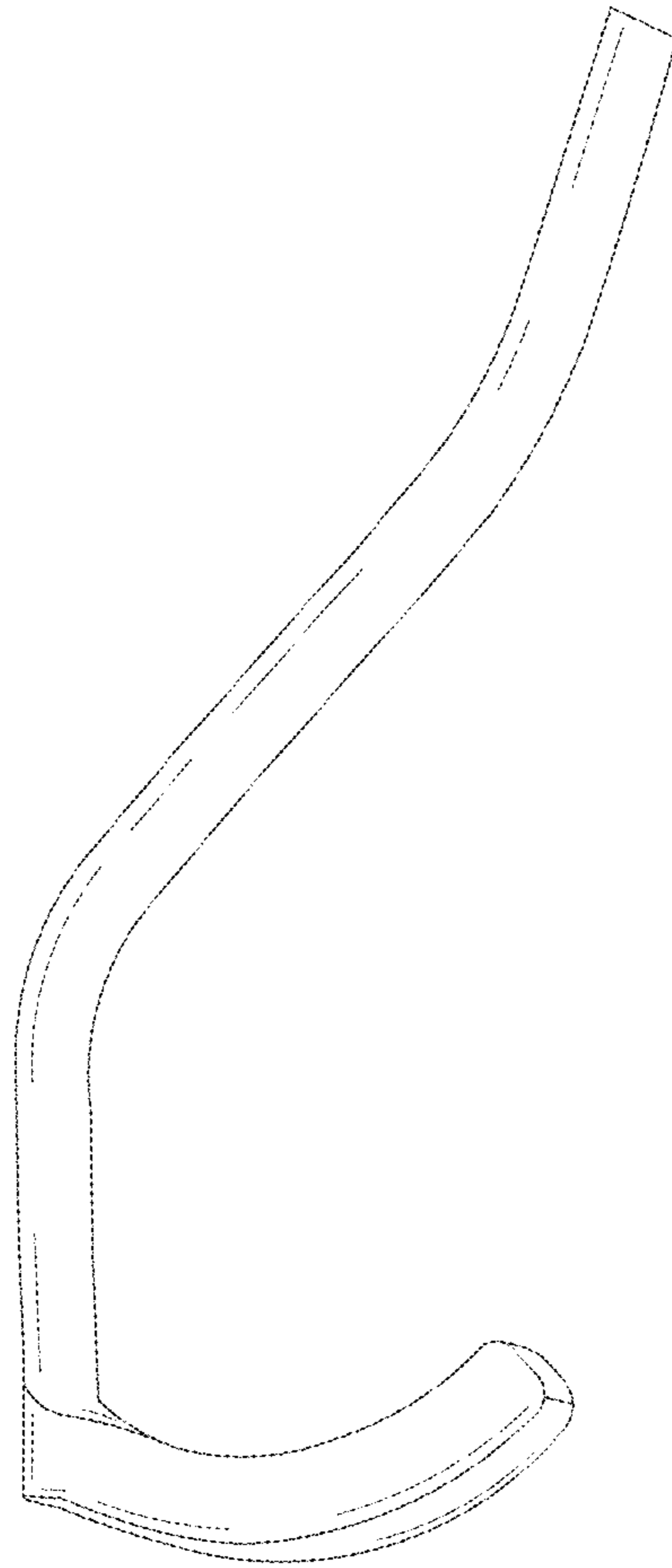


FIG.4

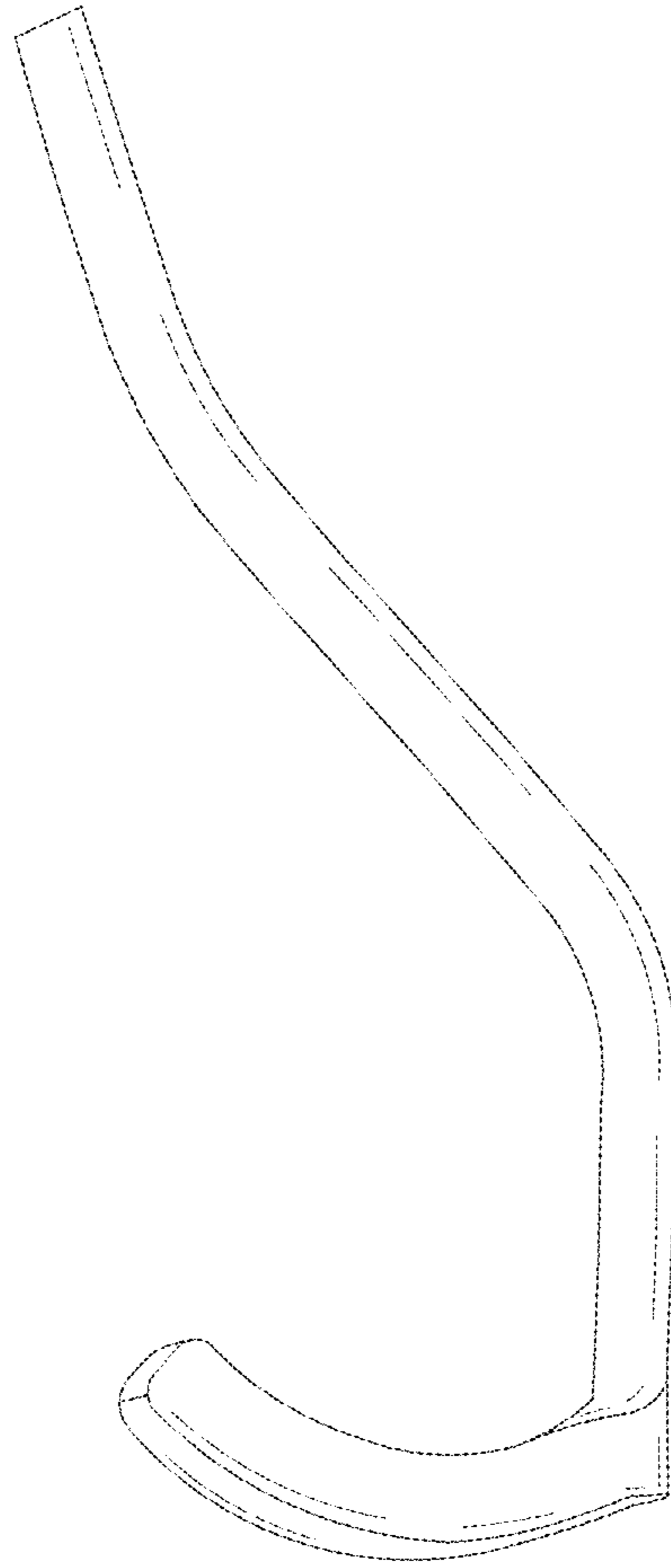


FIG.5

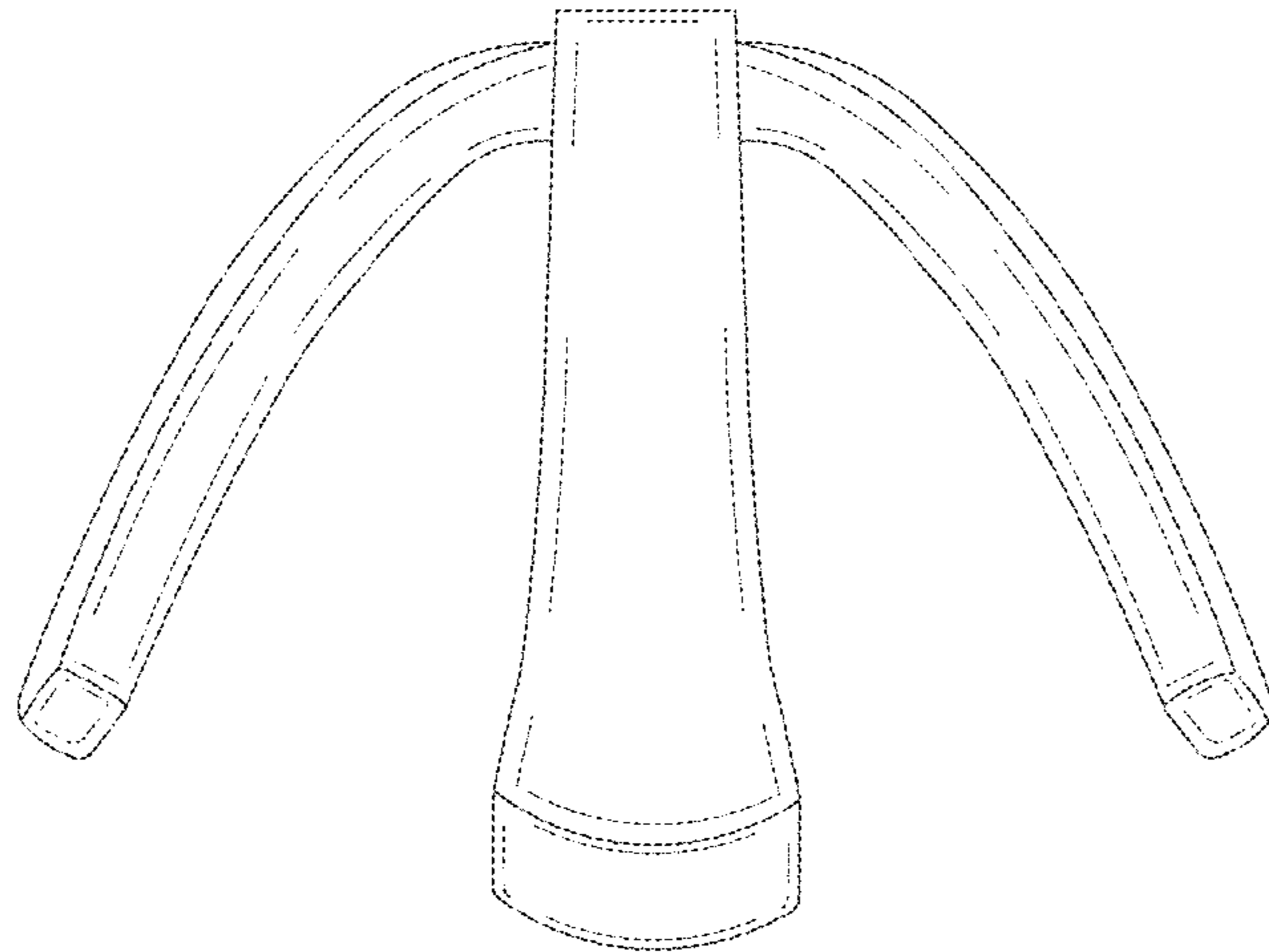


FIG. 6

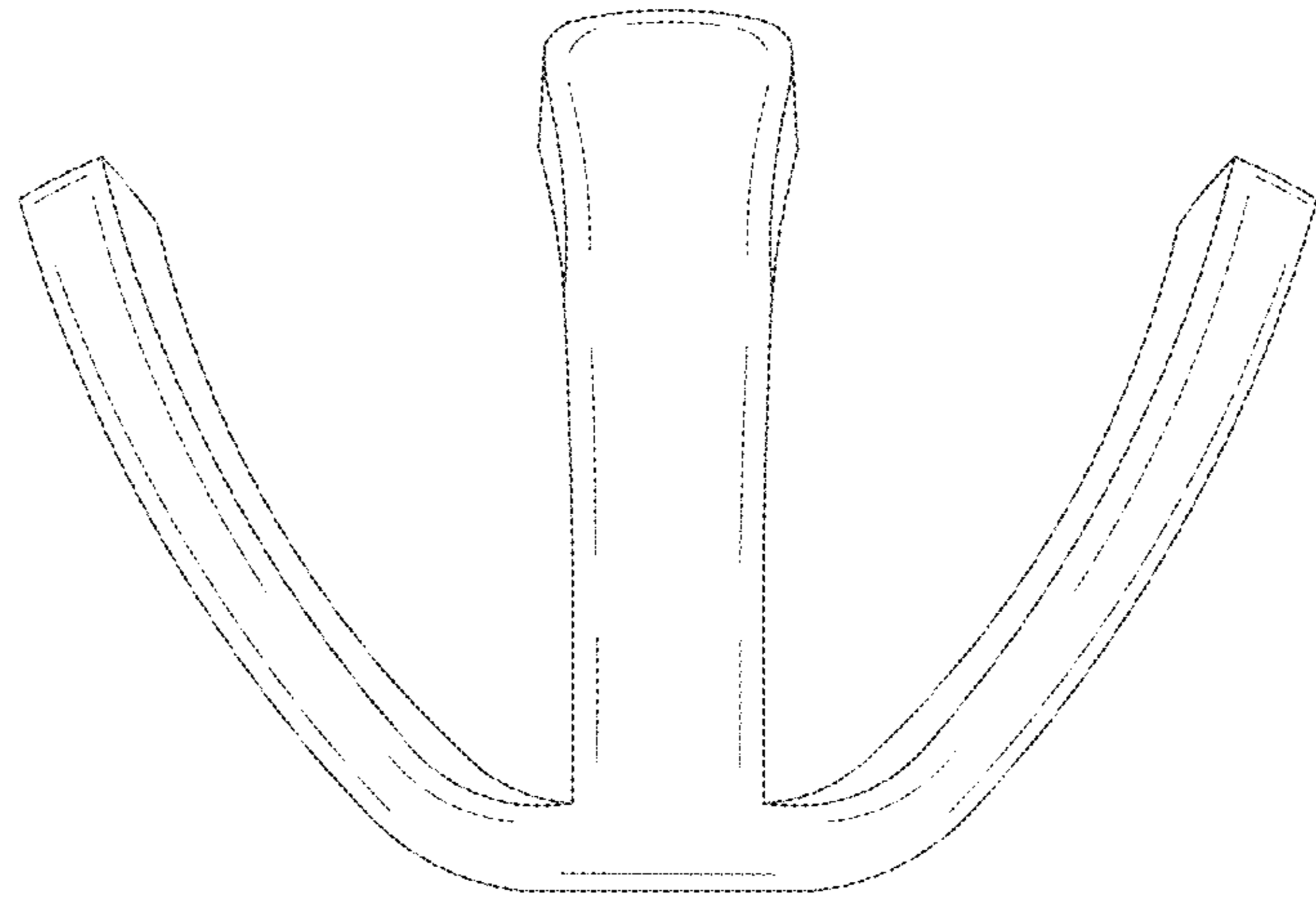


FIG. 7