



US00D968201S

(12) **United States Design Patent** (10) **Patent No.:** **US D968,201 S**
Chalfin et al. (45) **Date of Patent:** **** Nov. 1, 2022**

- (54) **CHAIR HANGER**
- (71) Applicant: **SAMUELSON GROUP INC.**, Paterson, NJ (US)
- (72) Inventors: **Michael Adam Chalfin**, Wayne, NJ (US); **Michael Angelo Rinaldi**, Bloomingdale, NJ (US); **Lawrence Mark Chalfin**, Wayne, NJ (US)
- (73) Assignee: **Samuelson Group Inc.**, Paterson, NJ (US)
- (**) Term: **15 Years**
- (21) Appl. No.: **29/775,790**
- (22) Filed: **Mar. 25, 2021**
- (51) **LOC (13) Cl.** **09-06**
- (52) **U.S. Cl.**
USPC **D8/367; D8/349**
- (58) **Field of Classification Search**
USPC D6/678, 354, 349, 358, 373, 215; D8/367, 358, 382, 349, 356, 354; D12/420, 223; D11/212; D2/978
CPC A44B 19/00; B65D 63/10; B65D 63/1027; B65D 63/1018; B65G 7/12; F16B 2/00; A62C 33/00; B65H 75/366; B25C 11/00; H05K 7/18; E04G 3/26; E04B 1/41; H02G 3/30; E05D 5/12; E05D 11/082; A45F 5/021; A47C 7/64; B60N 3/101; B60R 7/10; B60R 2011/0015
See application file for complete search history.

- (56) **References Cited**
U.S. PATENT DOCUMENTS
D267,699 S * 1/1983 Prawl D8/380
4,436,267 A * 3/1984 Eads B65H 75/366
248/89
D274,487 S * 7/1984 Eads D8/356
D356,488 S * 3/1995 Gehiere D8/354

- 5,427,339 A * 6/1995 Pauli B65H 75/366
242/615
- D364,796 S * 12/1995 Yates D6/567
- D455,066 S * 4/2002 Kolinen D14/240
- D482,598 S * 11/2003 Brass D8/354
- D571,190 S * 6/2008 Spadotto B65H 75/366
D8/356
- D649,016 S * 11/2011 Rasmussen D8/354
- D667,289 S * 9/2012 Preda D8/354
- D751,968 S * 3/2016 Boyce D12/223
- D758,170 S * 6/2016 Weber D8/354
- D763,665 S * 8/2016 Hallare D8/356
- D821,850 S * 7/2018 Tyrer D8/354
- D886,201 S * 6/2020 Kanter D21/333
- D928,590 S * 8/2021 Zhang D8/354
- 11,096,498 B1 * 8/2021 Chalfin A47C 7/62
- D939,935 S * 1/2022 Tang D8/354
- 2020/0253365 A1 * 8/2020 Blumenthal B25H 3/00

* cited by examiner

Primary Examiner — Marissa J Cash
Assistant Examiner — Kayla Marie Bennett
(74) *Attorney, Agent, or Firm* — Riverside Law LLP

(57) **CLAIM**

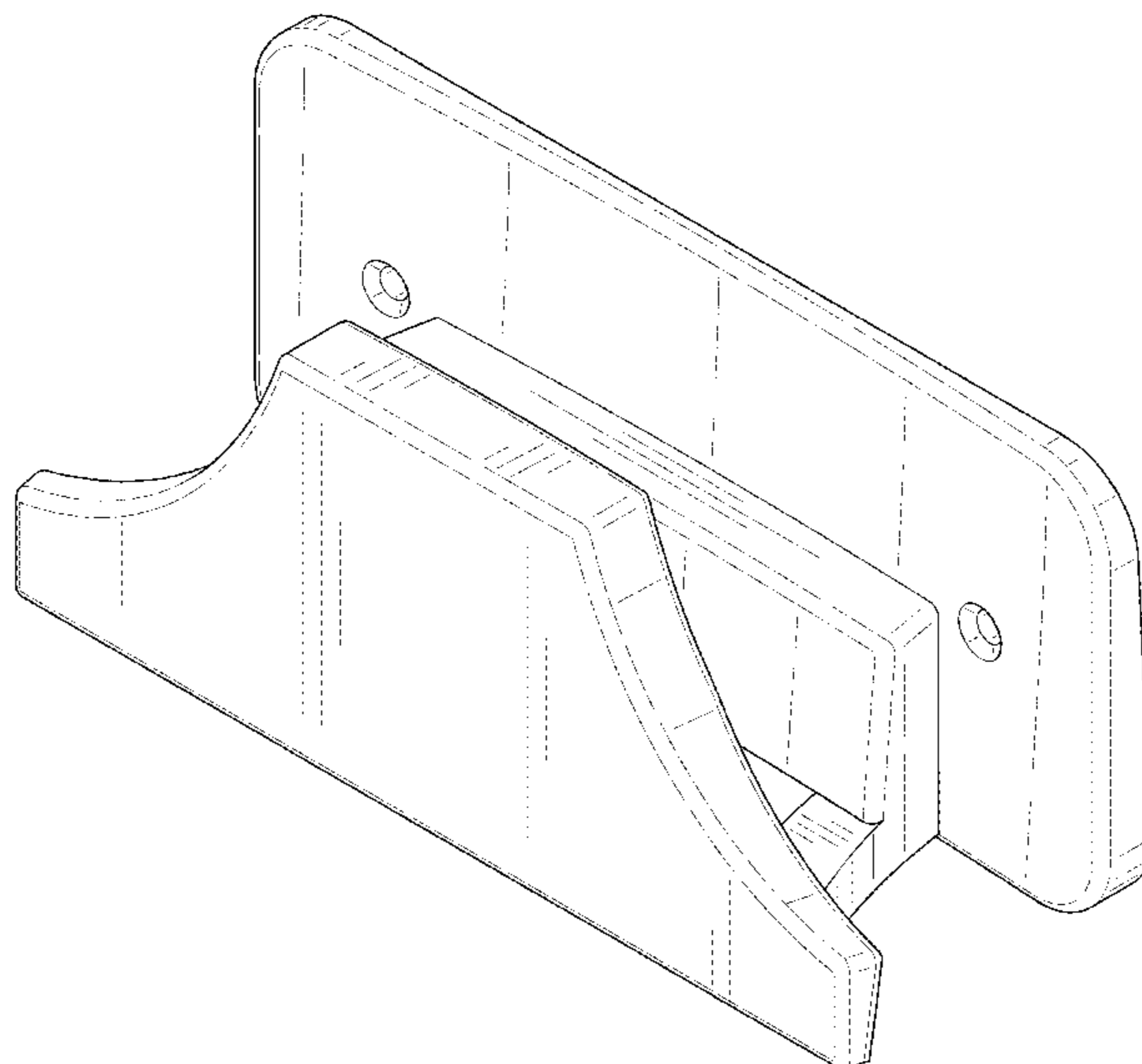
The ornamental design for a chair hanger, substantially as shown and described.

DESCRIPTION

FIG. 1 is a front perspective view of a chair hanger in accordance with the present invention; FIG. 2 is a rear perspective view thereof; FIG. 3 is a front view thereof; FIG. 4 is a rear view thereof; FIG. 5 is a left side view thereof; FIG. 6 is a right side view thereof; FIG. 7 is a top view thereof; and, FIG. 8 is a bottom view thereof.

Any shading or hatching are not features of the design and are merely utilized to illustrate surface contours of the design in the drawings.

1 Claim, 8 Drawing Sheets



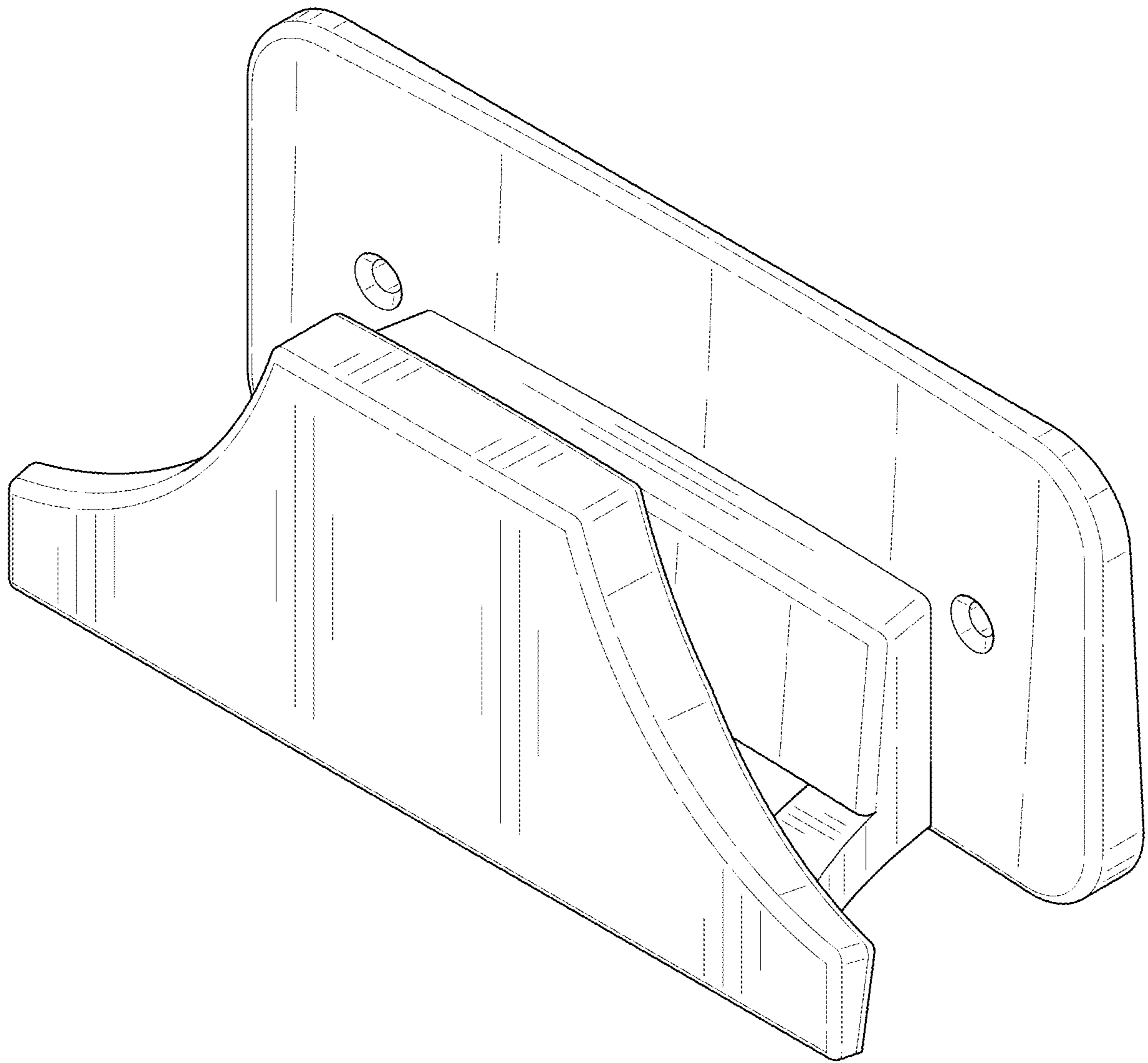


FIG. 1

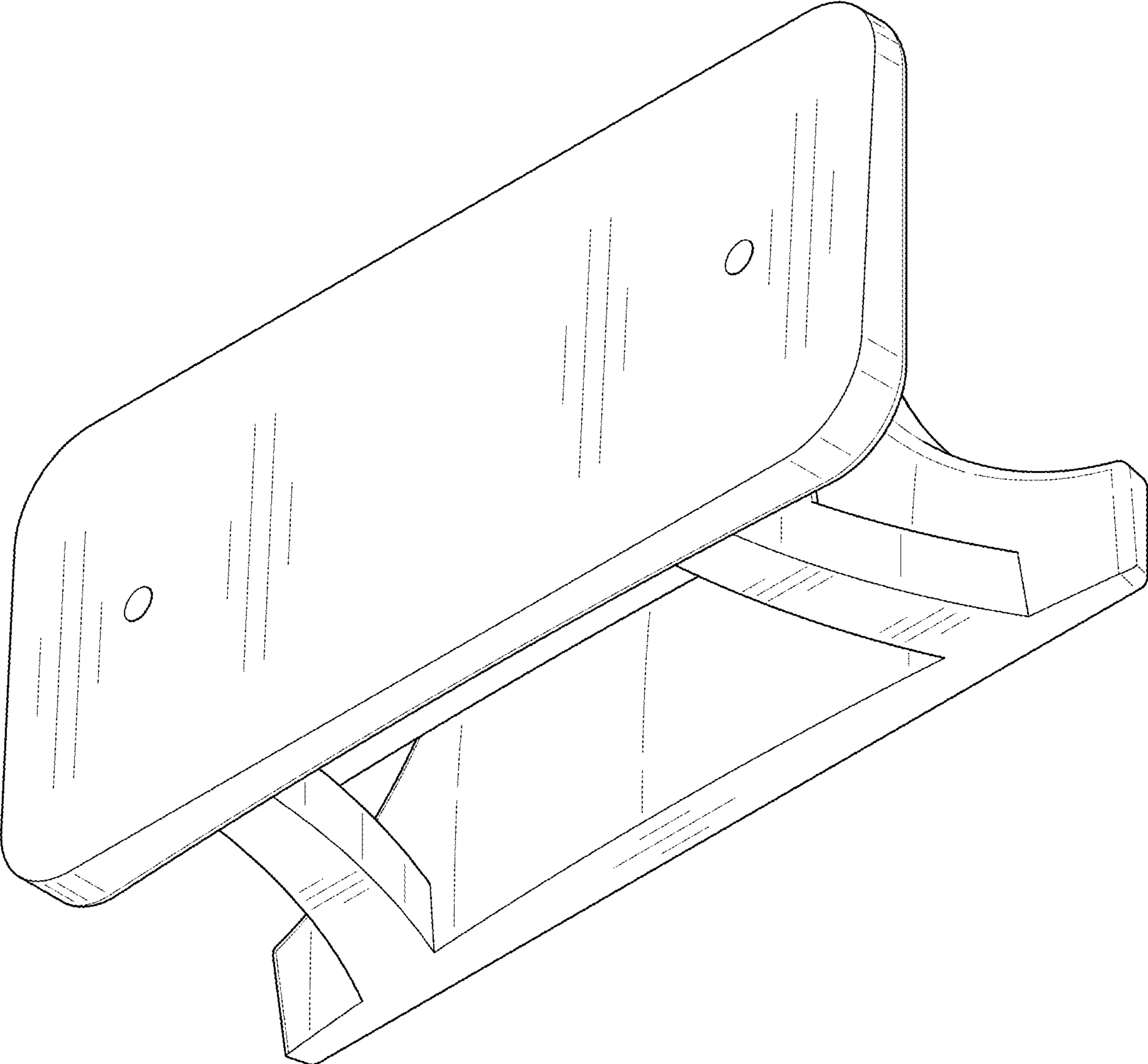


FIG. 2

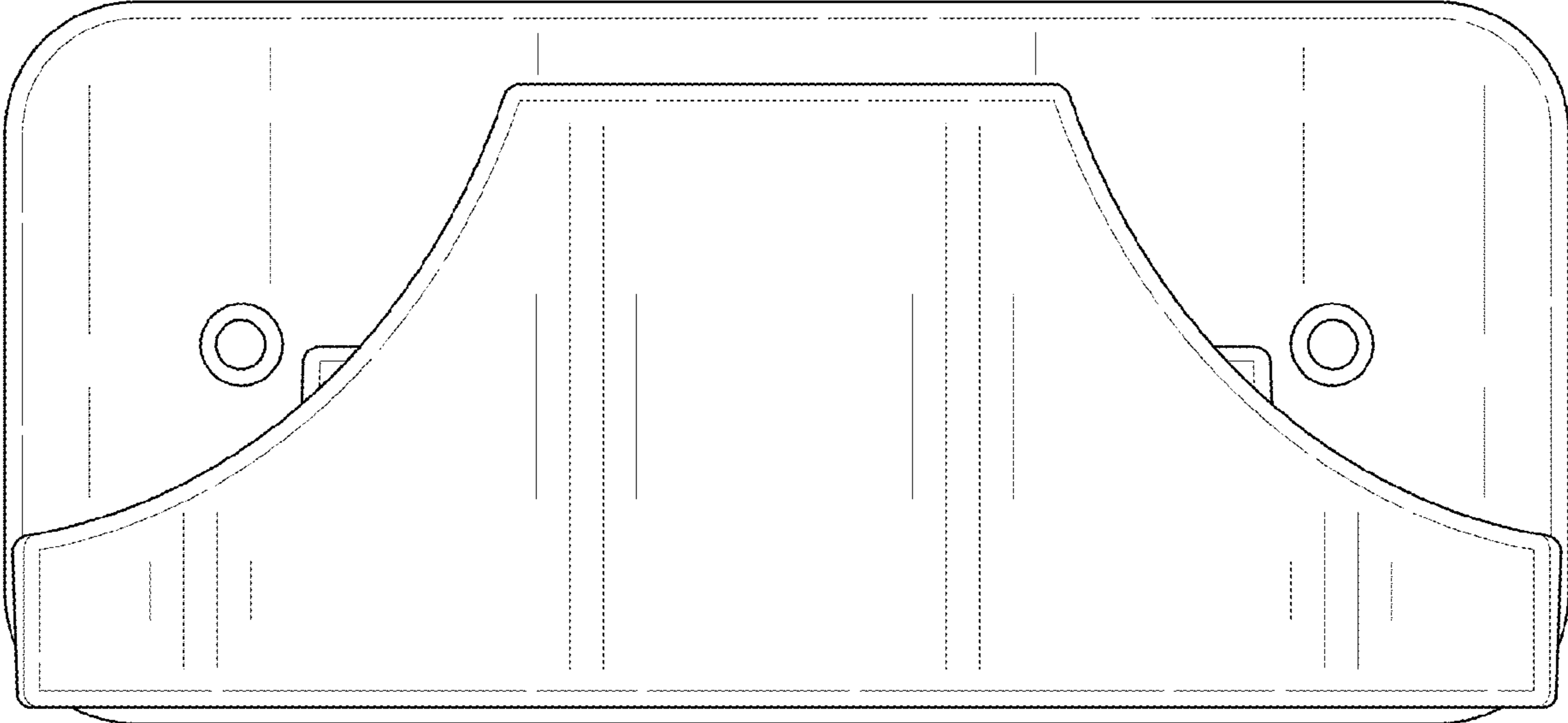


FIG. 3

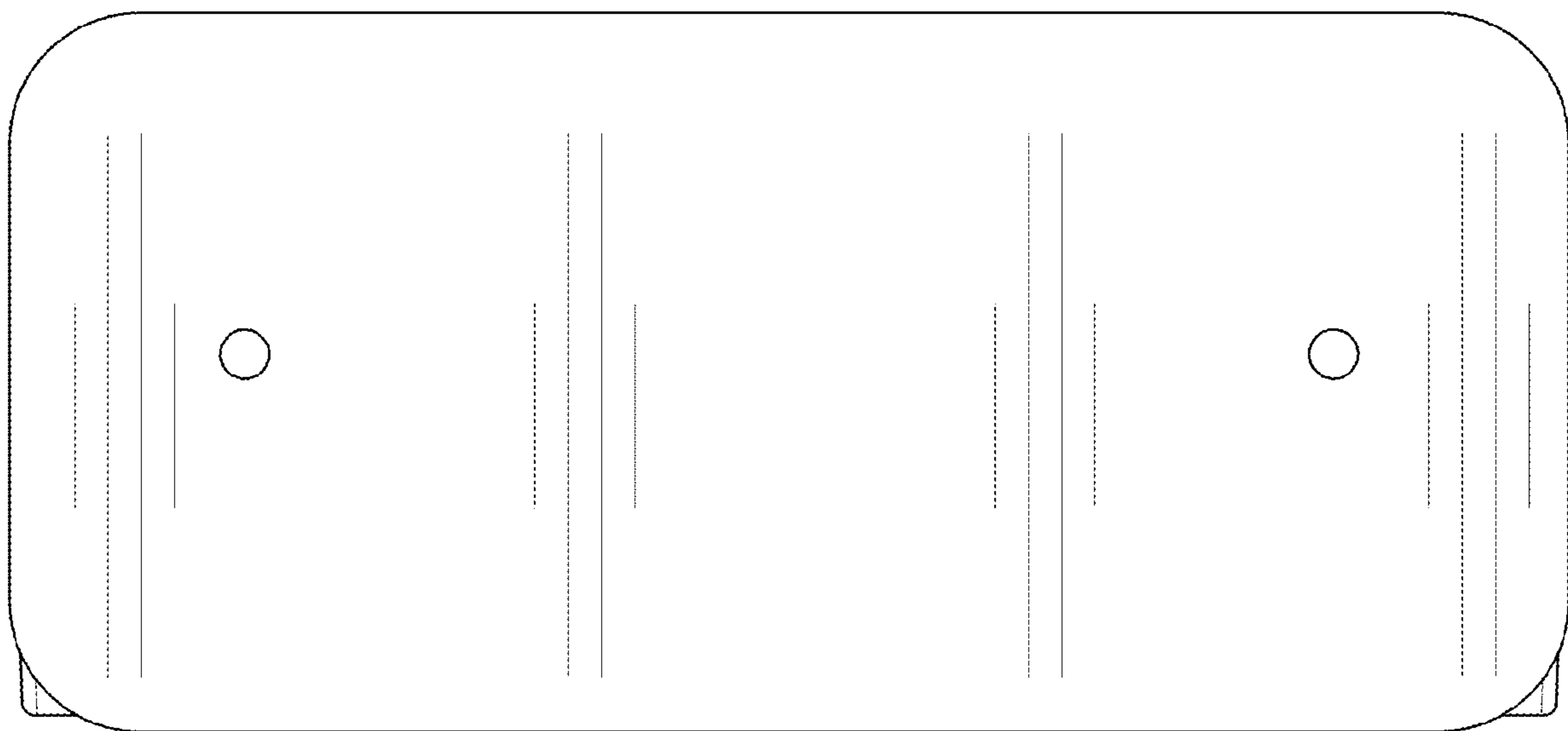


FIG. 4

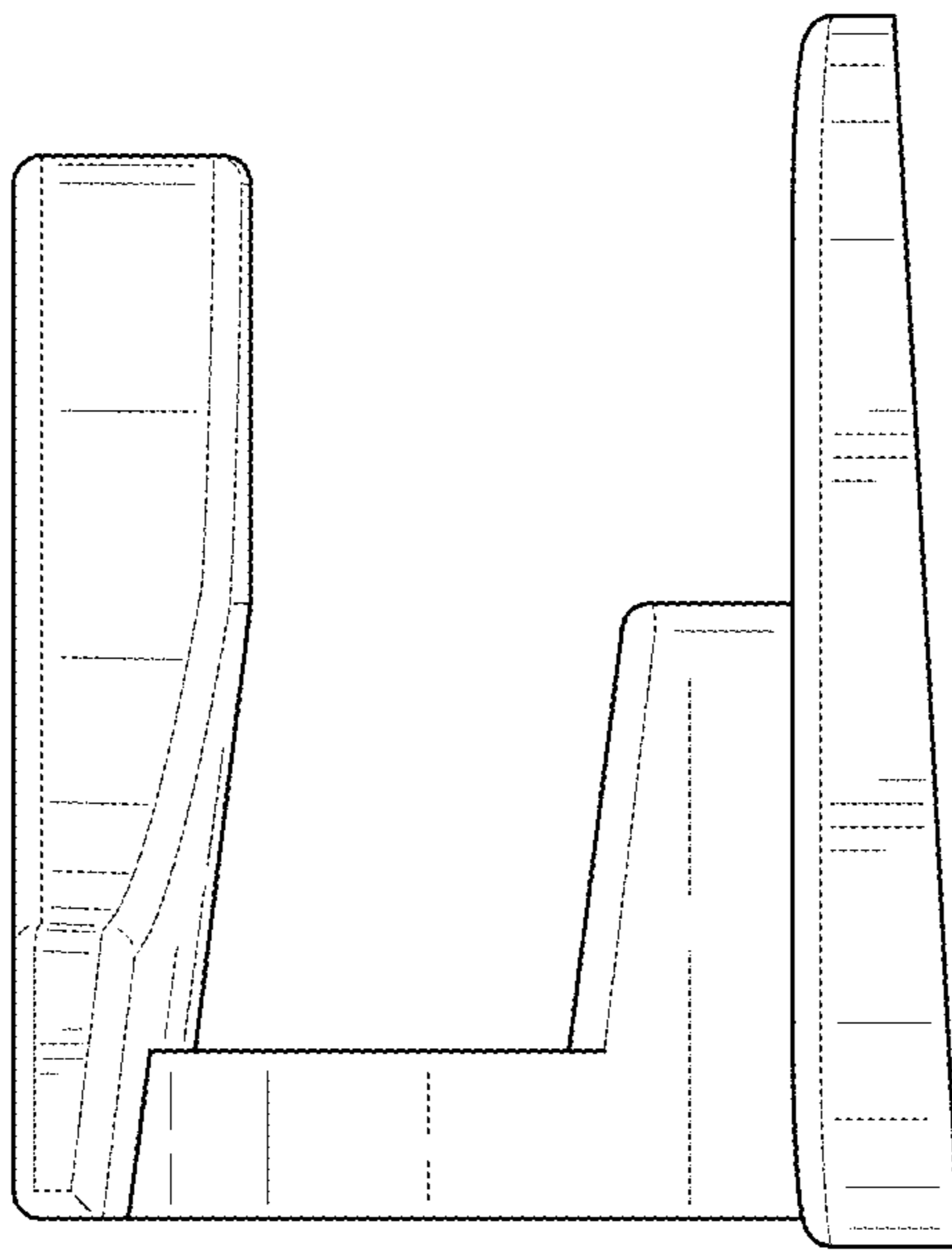


FIG. 5

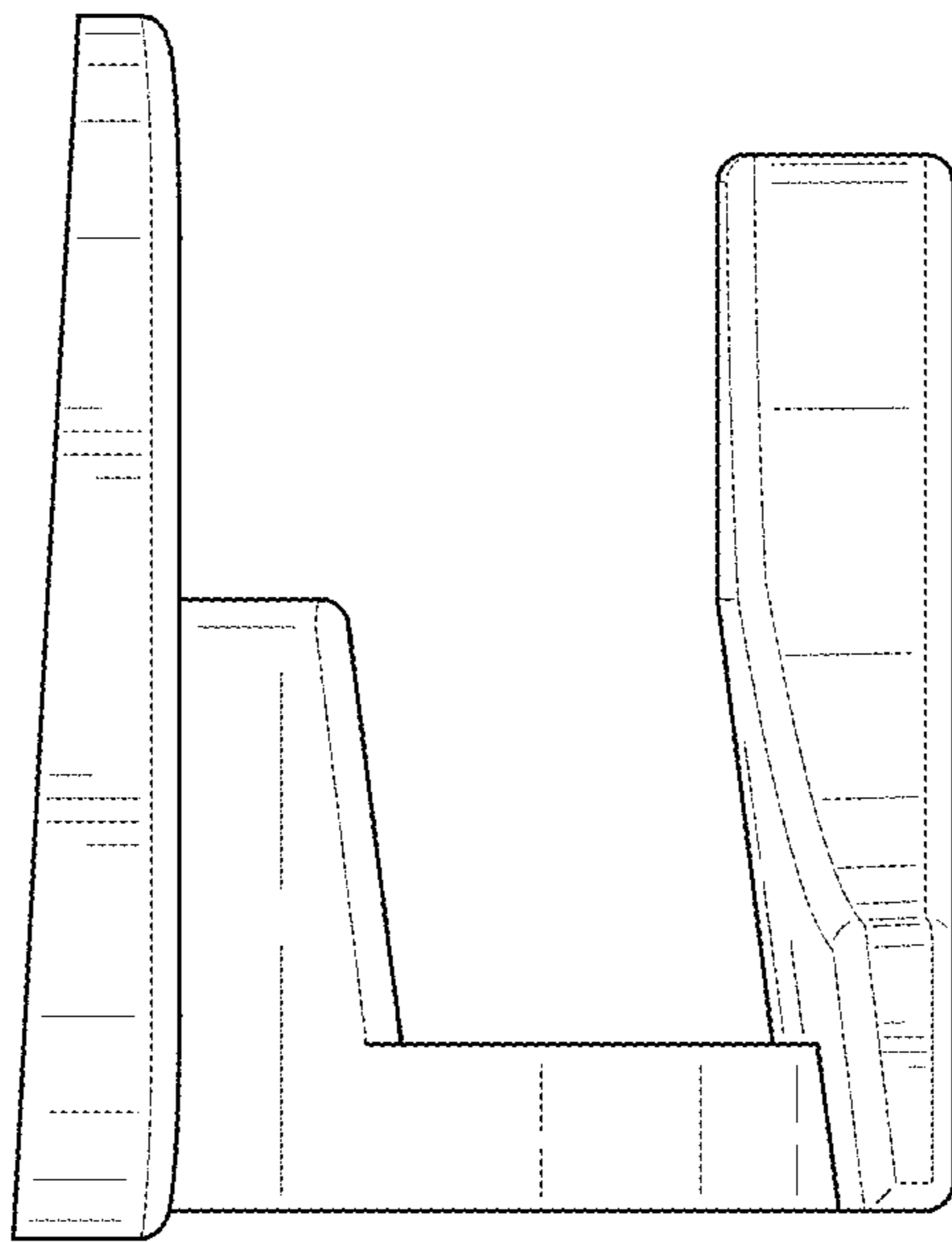


FIG. 6

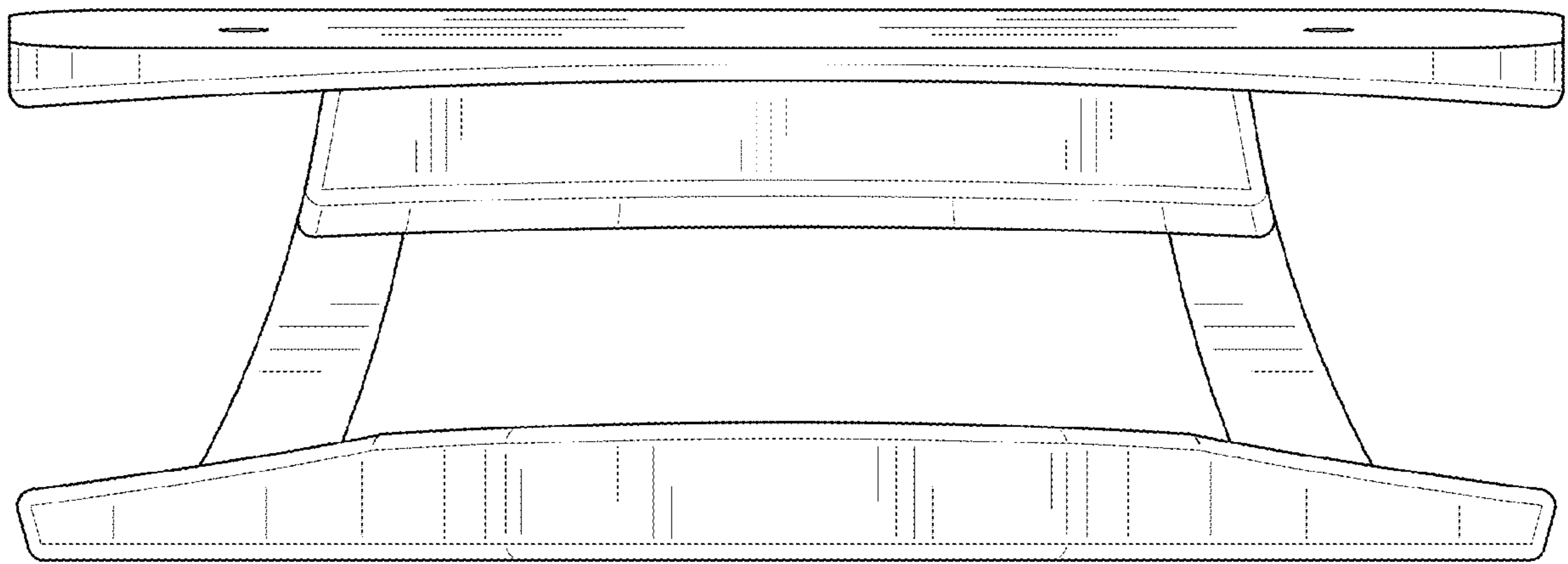


FIG. 7

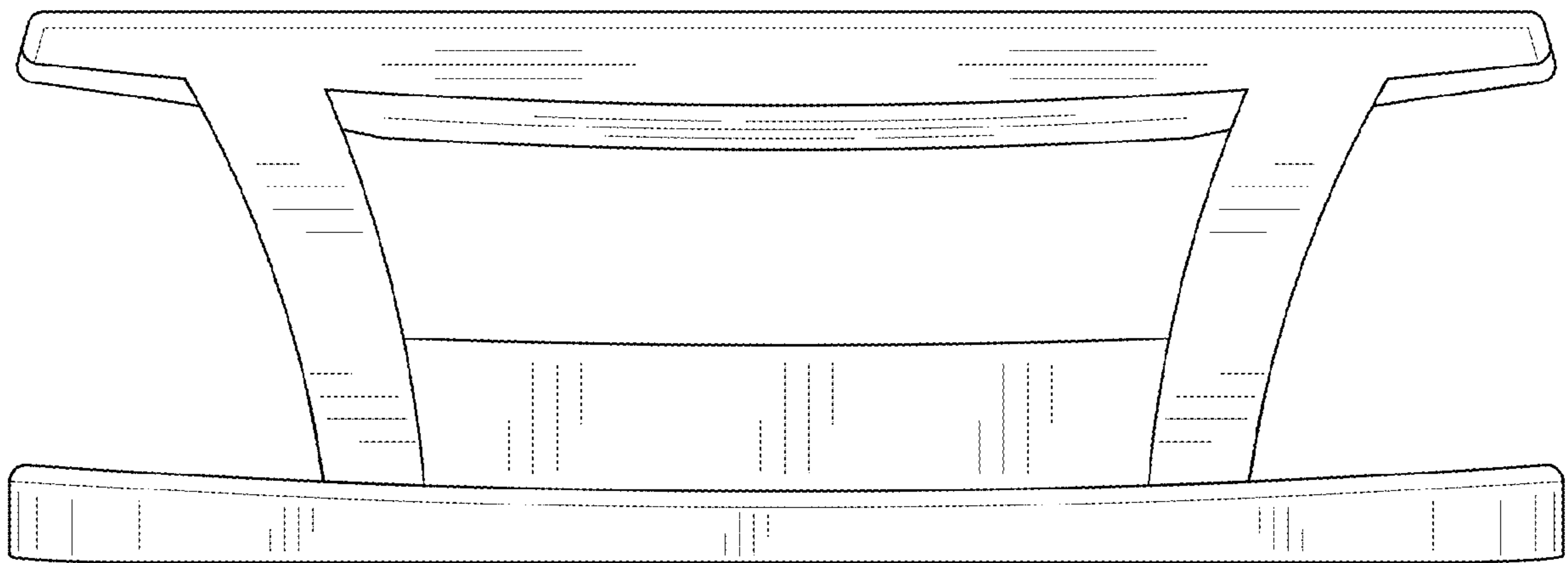


FIG. 8