

US00D968199S

(12) **United States Design Patent** (10) **Patent No.:** **US D968,199 S**
Keith et al. (45) **Date of Patent:** **** Nov. 1, 2022**

(54) **TIE STANDOFF**

FOREIGN PATENT DOCUMENTS

(71) Applicant: **HK MARKETING LC**, American Fork, UT (US)

CA 2392892 1/2003
CN 203891249 10/2014

(Continued)

(72) Inventors: **David O. Keith**, American Fork, UT (US); **Kevin M. Christensen**, Cedar Valley, UT (US); **Jordan O. Keith**, Saratoga Springs, UT (US); **Christopher C. Rhoades**, Eagle Mountain, UT (US)

OTHER PUBLICATIONS

Hercules 2.375-in x2.5-in Rebar Chair in the Rebar Chairs, Date Visited: Jun. 13, 2022, Lowes, Date Available: Jun. 13, 2022, <https://www.lowes.com/pd/Hercules-2-Inch-Steel-Mesh-Chair-100-Pack/5005412621> (Year: 2022).*

(Continued)

(73) Assignee: **HK Marketing LC**, American Fork, UT (US)

(**) Term: **15 Years**

Primary Examiner — Karen S Acker
Assistant Examiner — Elizabeth S Ko

(21) Appl. No.: **29/688,652**

(74) *Attorney, Agent, or Firm* — Workman Nydegger

(22) Filed: **Apr. 23, 2019**

(51) **LOC (13) Cl.** **08-11**

(57) **CLAIM**

(52) **U.S. Cl.**

The ornamental design for a tie standoff, as shown and described.

USPC **D8/363**

(58) **Field of Classification Search**

DESCRIPTION

USPC ... D8/349, 350, 354–356, 46, 346, 363–364, D8/366, 400–402, 404, 499

FIG. 1 is a top perspective view of a tie standoff, shown in use with a tie.

CPC H01R 13/447; H01R 25/006; H01R 13/4534; H01R 27/02; H02G 3/14; H02G 3/185; H02G 3/081; H02G 3/12; Y10T 16/86; Y10T 29/4979; Y10T 70/5553; Y10T 70/5867; Y10T 24/1498; Y10T 403/55; Y10T 403/553; Y10T 403/75; Y10T 70/577; Y10T 70/7915; E04C 5/18; E04C 5/20; E04C 5/168; E04C 2/384; E04C

FIG. 2 is a top perspective view of the tie standoff of FIG. 1, shown alone.

FIG. 3 is a bottom perspective view of the tie standoff of FIG. 2.

FIG. 4 is a top view of the tie standoff of FIG. 2.

FIG. 5 is a front view of the tie standoff of FIG. 2.

FIG. 6 is a rear view of the tie standoff of FIG. 2.

FIG. 7 is a bottom view of the tie standoff of FIG. 2.

FIG. 8 is a first side view of the tie standoff of FIG. 2; and,

FIG. 9 is an opposite side view of the tie standoff of FIG. 2.

The tie shown in broken lines in FIGS. 1 and 10 is shown for environment and forms no part of the claimed design.

(Continued)

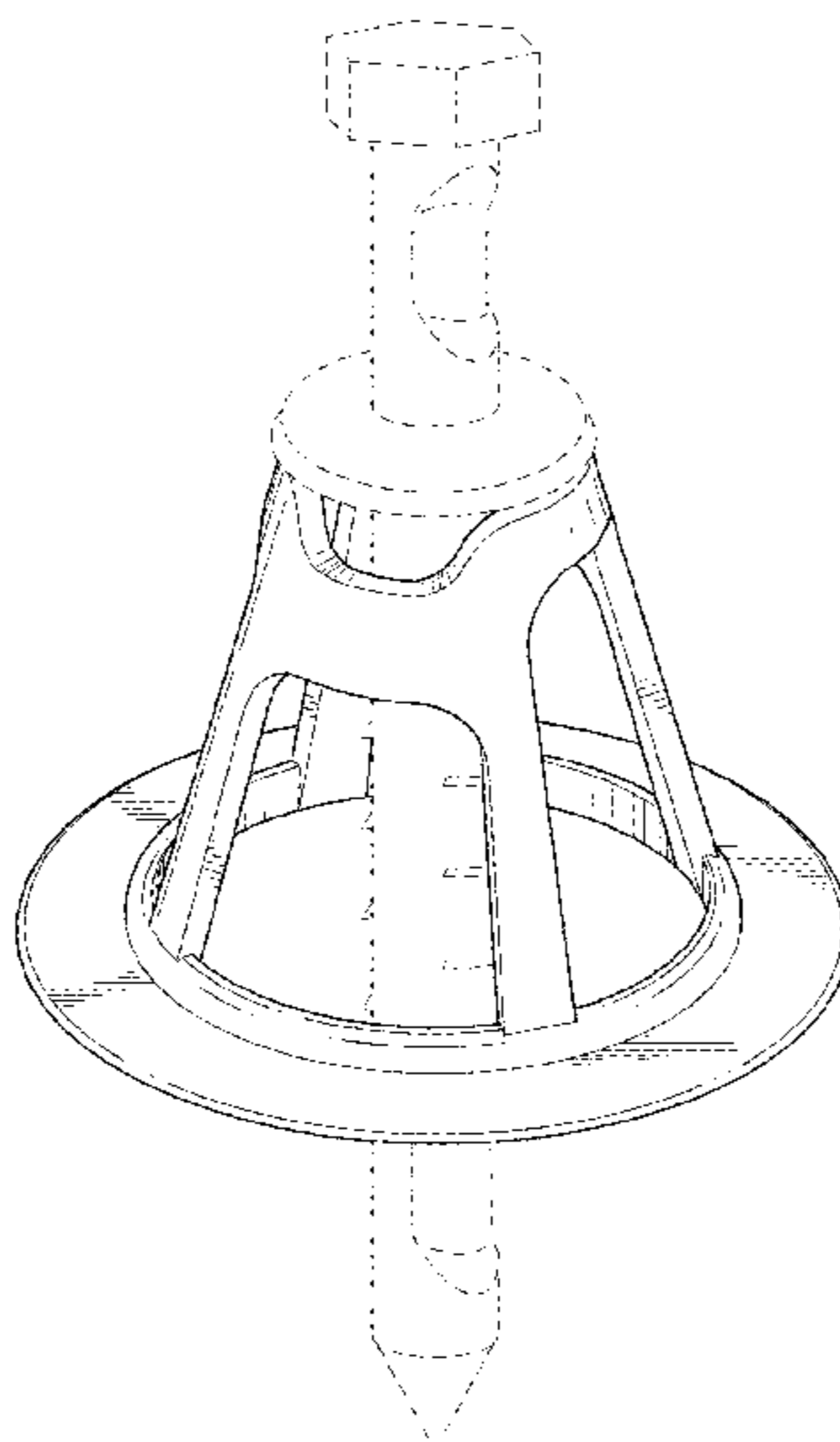
(56) **References Cited**

U.S. PATENT DOCUMENTS

581,776 A 5/1897 Seagrave
D35,565 S 1/1902 Godfrey

(Continued)

1 Claim, 4 Drawing Sheets



(58) **Field of Classification Search**
 CPC 5/03; E04C 5/201; E04C 5/203; E04C
 2/044; E04C 2/288; E04C 2002/047;
 E04C 2003/026; E04C 5/02; E04C 5/16;
 E04C 5/163; B62D 17/00; B60R 11/02;
 B60R 2011/0005; B60R 2011/0071;
 B60R 11/00; B60R 11/04; B60R
 2011/004; B60R 9/04; B60R 9/045; B60R
 9/06

See application file for complete search history.

(56) **References Cited**

U.S. PATENT DOCUMENTS

764,266 A	7/1904	Amrath	6,112,491 A	9/2000	Keith et al.	
773,926 A	11/1904	Clayton	6,116,836 A	9/2000	Long	
1,511,711 A	10/1924	Atwell	6,138,981 A	10/2000	Keith et al.	
1,736,704 A	11/1929	Gilbert	D436,018 S	1/2001	Boeshart	
1,876,683 A	9/1932	Johnson et al.	D436,674 S	1/2001	Lancelot, III	
2,236,082 A	6/1939	Wright	D437,063 S	1/2001	Lancelot, III	
2,302,878 A	11/1942	Muhl et al.	D438,649 S	3/2001	Lancelot, III	
2,645,929 A	12/1948	Jones	D438,991 S	3/2001	Lancelot, III	
2,819,863 A	1/1958	Vines	6,308,484 B1	10/2001	Severino	
D189,259 S	11/1960	Hughes	6,314,697 B1	11/2001	Moore	
D214,086 S	5/1969	Powell	6,460,824 B1	10/2002	Lancelot, III	
3,520,399 A	7/1970	Steffensen et al.	6,511,252 B1	1/2003	Andros	
3,822,958 A	7/1974	Lewis	6,647,674 B1	11/2003	Lancelot, III	
4,018,023 A	4/1977	Anderson	D484,032 S	12/2003	Del Re	
4,162,134 A	7/1979	Kitagawa	6,668,502 B2	12/2003	Beliveau	
4,329,826 A	5/1982	Flogaus	6,702,213 B2 *	3/2004	Kotzur	B65D 5/5028 242/157 R
4,393,635 A	7/1983	Long	6,729,079 B2	5/2004	Francies, III	
4,545,163 A	10/1985	Asselin	D491,443 S *	6/2004	Lowery	D8/380
D284,267 S	6/1986	Lindell	6,755,385 B2	6/2004	Lancelot et al.	
4,606,686 A	8/1986	Weaver	6,761,007 B2	7/2004	Lancelot et al.	
D286,180 S	10/1986	Korthoff	D500,243 S *	12/2004	Turek	D8/354
4,627,198 A	12/1986	Francies, III	D500,668 S *	1/2005	Kelly	D8/354
4,723,766 A	2/1988	Beeding	6,854,229 B2	2/2005	Keith et al.	
4,754,758 A	7/1988	Li	6,892,722 B1	5/2005	Francies et al.	
D298,916 S	12/1988	Beatty	6,895,720 B2	5/2005	Keith	
4,829,733 A	5/1989	Long	7,032,357 B2	4/2006	Cooper	
4,846,655 A	7/1989	Gulley	7,210,211 B2	5/2007	Harrison	
4,994,073 A	2/1991	Green	7,222,460 B2	5/2007	Francies et al.	
5,011,354 A	4/1991	Browniee	7,266,931 B2	9/2007	Long	
5,052,097 A	10/1991	Becker	D578,379 S *	10/2008	Sorkin	D8/354
5,064,048 A	11/1991	Becker	D578,870 S *	10/2008	Sorkin	D8/354
5,094,282 A	3/1992	Suzuki et al.	D581,776 S	12/2008	Yin-Feng	
5,141,212 A	8/1992	Beeding	7,461,492 B1	12/2008	Francies et al.	
5,147,160 A	9/1992	Reed et al.	D595,117 S *	6/2009	Sorkin	D6/349
D334,133 S *	3/1993	Hartzheim	D614,942 S	5/2010	Gaudron	
5,223,675 A	6/1993	Taft	8,109,706 B2	2/2012	Richards	
5,265,986 A	11/1993	Prokopp	8,333,536 B2	12/2012	Shih	
5,390,459 A	2/1995	Mensen	8,365,501 B2	2/2013	Long	
D357,855 S	5/1995	Keith et al.	8,667,746 B1	3/2014	Francies, III	
5,415,507 A	5/1995	Janusz et al.	8,677,697 B2	3/2014	Eklund et al.	
5,429,460 A	7/1995	Campian	8,695,287 B1	4/2014	Francies, III	
5,433,558 A	7/1995	Gray	8,696,284 B2	4/2014	Aicher	
D361,710 S	8/1995	Boeshart	8,745,943 B2	6/2014	Ciuperca	
5,509,636 A	4/1996	Cotugno	8,800,220 B1	8/2014	Francies, III	
5,519,973 A	5/1996	Keith et al.	8,863,469 B2	10/2014	Curtis et al.	
5,570,983 A	11/1996	Hollander	D719,817 S *	12/2014	Perry	D8/380
5,588,263 A	12/1996	Kelly et al.	8,898,964 B1	12/2014	Francies, III	
D378,049 S	2/1997	Boeshart	8,910,445 B2	12/2014	Hohmann	
5,606,832 A	3/1997	Keith et al.	D728,044 S	4/2015	Boatwright	
5,623,804 A	4/1997	Kelly et al.	D736,067 S *	8/2015	Manning	D8/354
D383,373 S	9/1997	Boeshart	9,097,026 B2 *	8/2015	Hoffman	E04F 21/20
5,671,574 A	9/1997	Long	D738,195 S *	9/2015	Perry	D8/380
5,673,525 A	10/1997	Keith et al.	9,151,065 B1	10/2015	Francies, III	
D388,312 S *	12/1997	Sorkin	9,169,635 B2	10/2015	Andrews	
5,692,356 A	12/1997	Baxter	D744,646 S	12/2015	Nering et al.	
5,743,685 A	4/1998	Piggott	9,279,259 B1 *	3/2016	Russo	E04F 21/0092
D394,200 S *	5/1998	Hartzheim	9,303,404 B2	4/2016	Naito et al.	
5,809,723 A	9/1998	Keith et al.	9,347,232 B1	5/2016	Francies, III	
5,830,399 A	11/1998	Keith et al.	D764,266 S	8/2016	Keith	
5,890,337 A	4/1999	Boeshart	9,493,946 B2	11/2016	Foderberg et al.	
5,996,297 A	12/1999	Keith et al.	D773,926 S	12/2016	Sweeney	
6,079,176 A	6/2000	Westra	D775,935 S *	1/2017	Sarajian	D8/354
			9,617,746 B1	4/2017	Francies, III	
			9,637,925 B2	5/2017	Francies, III	
			9,638,353 B2	5/2017	Francies, III	
			D791,579 S *	7/2017	Perry	D8/354
			9,803,354 B1	10/2017	Francies, III	
			D804,288 S	12/2017	Keith et al.	
			1,000,928 A1	6/2018	Keith et al.	
			10,000,928 B2	6/2018	Keith et al.	
			10,132,080 B2	11/2018	Jensen	
			D837,016 S *	1/2019	Psaila	D8/71
			10,240,356 B2	3/2019	Mackay Sim	
			10,267,037 B2	4/2019	Stewart	
			D856,105 S *	8/2019	Dahill	D8/71
			D856,106 S *	8/2019	Dahill	D8/71
			D856,107 S *	8/2019	Dahill	D8/71
			D856,121 S	8/2019	Keith et al.	

(56)

References Cited

U.S. PATENT DOCUMENTS

D856,122 S 8/2019 Keith et al.
 D856,772 S * 8/2019 Dahill D8/71
 D857,473 S * 8/2019 Dahill D8/71
 10,378,204 B2 8/2019 Gosain
 D858,241 S * 9/2019 Dahill D8/71
 D867,844 S * 11/2019 Dahill D8/71
 10,577,813 B2 * 3/2020 Dahill E04F 21/22
 D880,267 S * 4/2020 Dahill D8/71
 D887,258 S 6/2020 Keith et al.
 D889,940 S * 7/2020 Gilner D8/354
 D927,966 S * 8/2021 Werlinger D8/354
 D932,285 S * 10/2021 Gilner D8/354
 D938,806 S * 12/2021 Moore D8/358
 D938,807 S * 12/2021 Moore D8/358
 D948,992 S * 4/2022 Werlinger D8/354
 D951,743 S * 5/2022 Quesada Barbero D8/71
 11,332,936 B1 * 5/2022 Staton E04C 5/20
 2002/0026761 A1 3/2002 Moore
 2002/0092253 A1 7/2002 Beliveau
 2002/0096619 A1 7/2002 Lancelot, III
 2003/0019169 A1 1/2003 Francies, III
 2003/0029106 A1 2/2003 Cooper et al.
 2003/0140590 A1 7/2003 Lancelot, III
 2003/0208968 A1 11/2003 Lancelot, III
 2003/0208969 A1 11/2003 Lancelot, III
 2003/0208987 A1 11/2003 Lancelot, III
 2004/0010985 A1 1/2004 Francies, III
 2004/0055247 A1 3/2004 Keith
 2004/0118067 A1 6/2004 Keith
 2004/0136803 A1 7/2004 Gresch
 2004/0179916 A1 9/2004 Susnjara et al.
 2004/0237438 A1 12/2004 Keith et al.
 2005/0016095 A1 1/2005 Long
 2005/0028467 A1 2/2005 Bentley
 2006/0032166 A1 2/2006 Devalapura
 2006/0059847 A1 3/2006 Rice
 2006/0096197 A1 5/2006 Tollefson
 2007/0094974 A1 5/2007 Velickovic
 2007/0113505 A1 5/2007 Beliveau
 2007/0206997 A1 9/2007 Onsrud
 2007/0231068 A1 10/2007 Francies et al.
 2008/0028709 A1 2/2008 Pontarolo
 2009/0013631 A1 1/2009 Devalapura
 2009/0185880 A1 7/2009 Gong et al.
 2009/0249725 A1 10/2009 McDonagh
 2010/0005618 A1 1/2010 Minemura et al.
 2011/0023303 A1 2/2011 Pervan et al.
 2011/0094176 A1 4/2011 Bronner
 2012/0063862 A1 3/2012 Epplin et al.
 2012/0227335 A1 9/2012 Eklund et al.
 2012/0266560 A1 10/2012 Panasik et al.
 2013/0074433 A1 3/2013 Ciuperca
 2013/0153628 A1 6/2013 Euteneuer
 2013/0180192 A1 7/2013 Crosby
 2013/0218177 A1 8/2013 Miksze et al.
 2013/0263544 A1 10/2013 Pfeiffer
 2013/0326980 A1 12/2013 Hilliard
 2014/0020321 A1 1/2014 Eklund et al.
 2014/0259990 A1 9/2014 Pfeiffer
 2014/0260034 A1 9/2014 Ciuperca
 2014/0260055 A1 9/2014 Pfeiffer
 2015/0184383 A1 7/2015 Foderberg et al.
 2015/0218806 A1 8/2015 Cossette
 2016/0010330 A1 4/2016 Naito
 2016/0123012 A1 5/2016 Francies, III
 2016/0123501 A1 5/2016 Francies, III
 2016/0215511 A1 7/2016 Salekarr
 2017/0058520 A1 3/2017 Keith
 2017/0204895 A1 7/2017 Rodenhouse
 2017/0254072 A1 9/2017 Howorth et al.
 2018/0079041 A1 3/2018 Schmauder
 2018/0135318 A1 5/2018 Crosby

2018/0187436 A1 7/2018 Mackay Sim
 2018/0238053 A1 11/2018 Jensen
 2019/0091818 A1 3/2019 Winney
 2019/0234072 A1 8/2019 Keith et al.

FOREIGN PATENT DOCUMENTS

DE 0846160 C 8/1952
 DE 2027191 A1 12/1971
 DE 19950715 A1 4/2000
 DE 102014008232 A1 12/2015
 DE 102014224604 A1 6/2016
 EP 0129521 A2 12/1984
 EP 2881343 A1 6/2015
 JP 58-082612 A 5/1983
 JP 2004225265 8/2004
 JP 2006-263925 A 10/2006
 RU 131396 8/2013
 WO 2004/014589 A1 2/2004
 WO 2013/175831 A1 11/2013
 WO 2015/141898 A1 9/2015

OTHER PUBLICATIONS

Rebar Chair for Concrete Support, Date Visited: Jun. 13, 2022, Made in China, Date Available: Jun. 13, 2022, <https://m.made-in-china.com/product/Rebar-Chair-for-Concrete-Support-767364565.html> (Year: 2022).*

U.S. Appl. No. 29/656,554, filed May 7, 2019, Notice of Allowance.
 U.S. Appl. No. 29/635,189, filed Jan. 29, 2018, Keith et al.
 U.S. Appl. No. 29/656,554, filed Jul. 13, 2018, Keith et al.
 U.S. Appl. No. 16/267,718, filed Feb. 5, 2019, Keith et al.
 U.S. Appl. No. 16/058,837, filed Aug. 8, 2018, Keith et al.
 BA Screw Threads Data Chart Accessed Jul. 24, 2016.
 Photograph of competing tie, based on information and belief, photographed Jan. 30, 2019.
 Questions and Answers about System SC for Structurally Composite Concrete Sandwich Walls. Boone: Thermomass System SC, 2012. Print.
 Thermomass. "Insulated Cast-in-Place Construction Using Thermomass System CIP." Online video clip. YouTube. YouTube, Mar. 20, 2012. Web. Accessed Jan. 22, 2016. <<https://www.youtube.com/watch?v=VoHzDS9Yuw>>.
 Thermomass. Thermomass System SC, n.d. Web. Accessed Jan. 22, 2016. <<http://www.thermomass.com/>>.
 U.S. Appl. No. 14/841,260, filed Jan. 15, 2016, Office Action.
 U.S. Appl. No. 29/531,564, filed Apr. 18, 2016, Notice of Allowance.
 U.S. Appl. No. 14/841,260, filed Jul. 29, 2016, Final Office Action.
 U.S. Appl. No. 14/841,260, filed Jun. 6, 2017, Office Action.
 U.S. Appl. No. 29/562,534, filed Oct. 16, 2017, Notice of Allowance.
 U.S. Appl. No. 14/841,260, filed Dec. 15, 2017, Office Action.
 U.S. Appl. No. 14/841,260, filed Apr. 13, 2018, Notice of Allowance.
 U.S. Appl. No. 29/635,189, filed Jan. 11, 2019, Office Action.
 Description DE102014008232A1 (translation) obtained at <https://worldwide.espacenet.com/> (last visited Sep. 25, 2020).
 Notice of Allowance received for U.S. Appl. No. 16/267,718, dated Sep. 10, 2020.
 U.S. Appl. filed Jun. 26, 2015, Keith et al., U.S. Appl. No. 29/531,564.
 U.S. Appl. No. 14/841,260, dated Jun. 6, 2017, Office Action.
 U.S. Appl. No. 29/635,189, filed May 1, 2019, Notice of Allowance.
 US. Appl. filed Aug. 31, 2015, Keith et al., U.S. Appl. No. 14/841,260.
 Non-Final Office Action received for U.S. Appl. No. 16/058,837, dated Jul. 12, 2021, 21 pages.

* cited by examiner

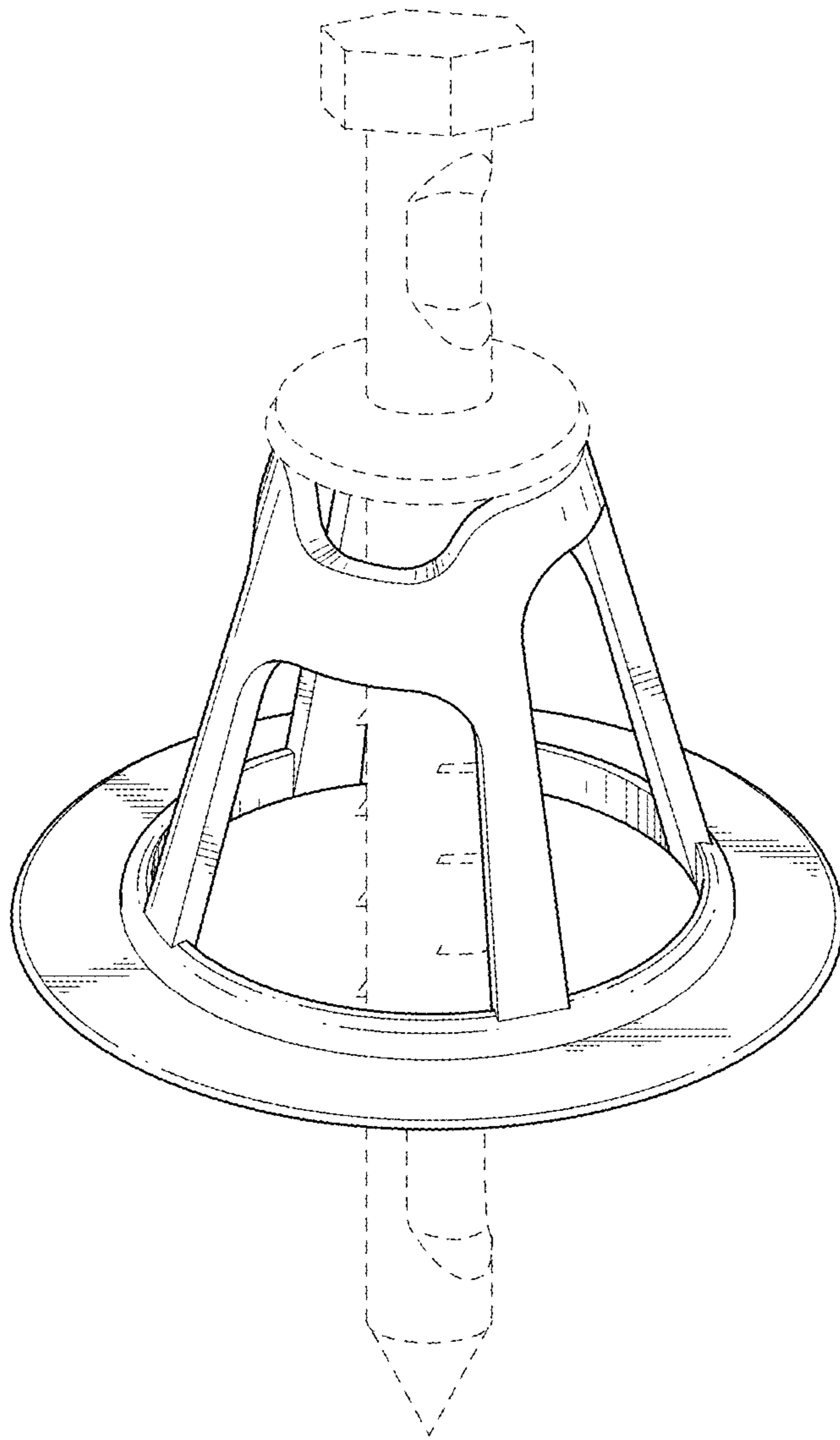


FIG. 1

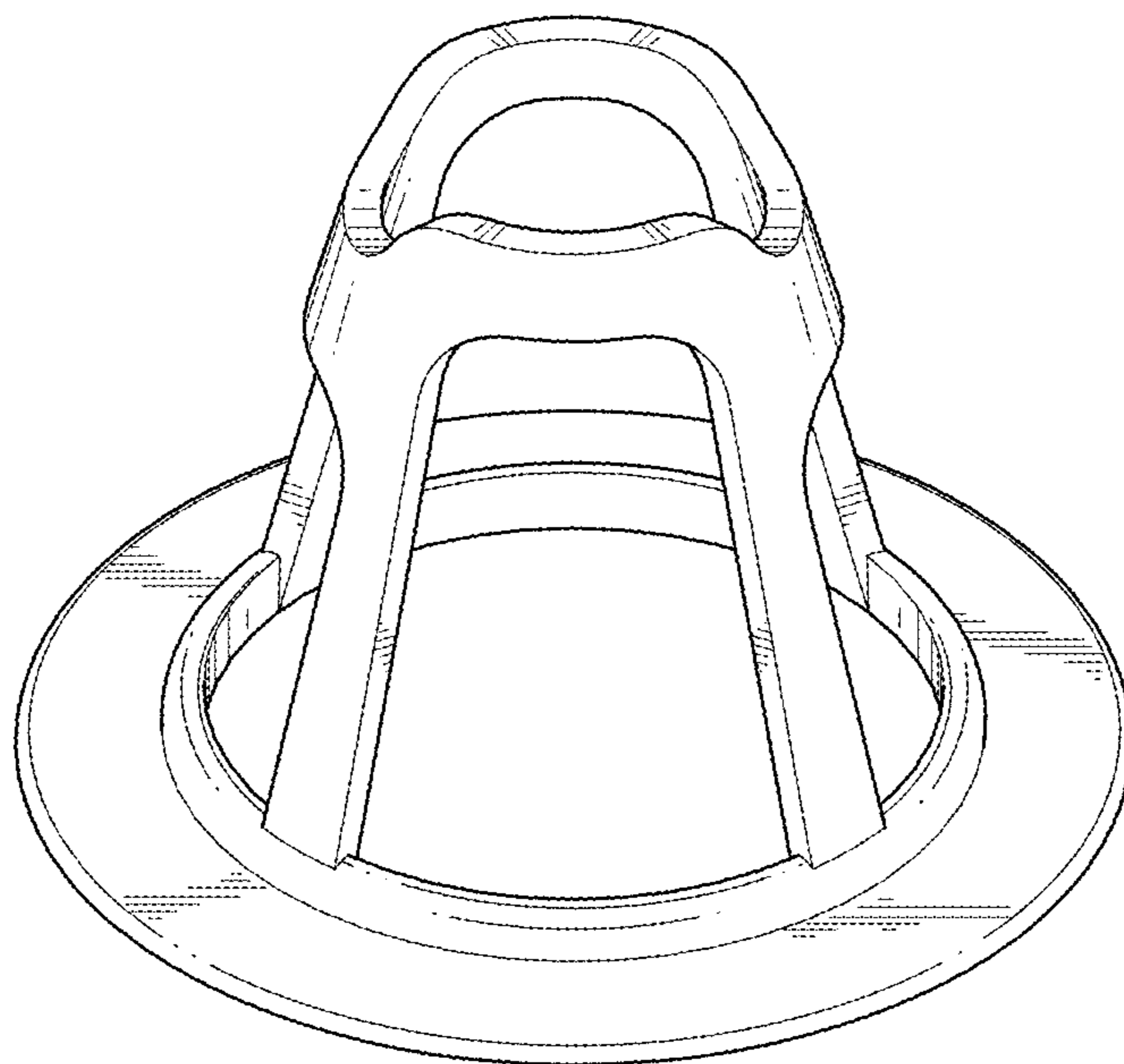


FIG. 2

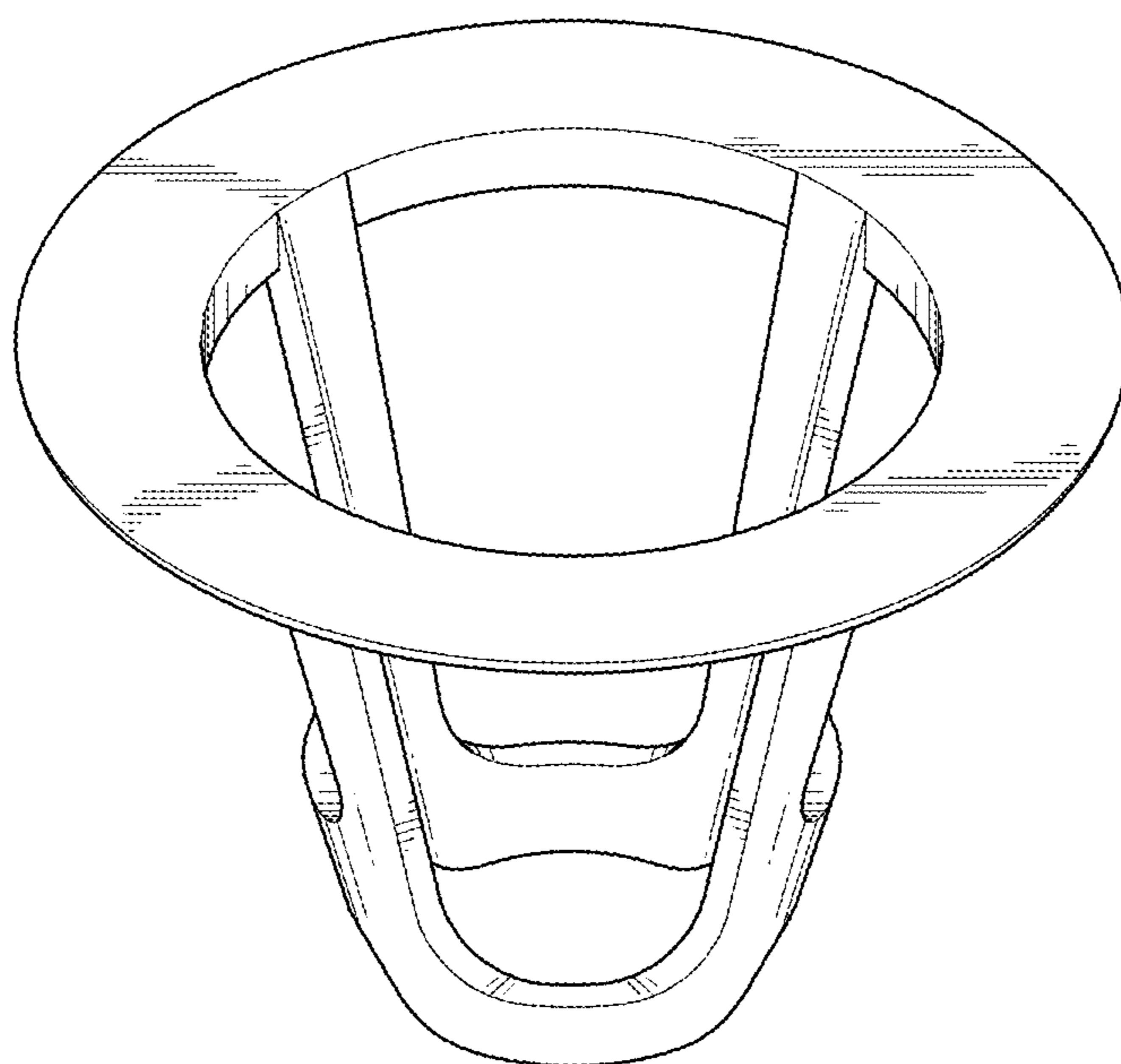


FIG. 3

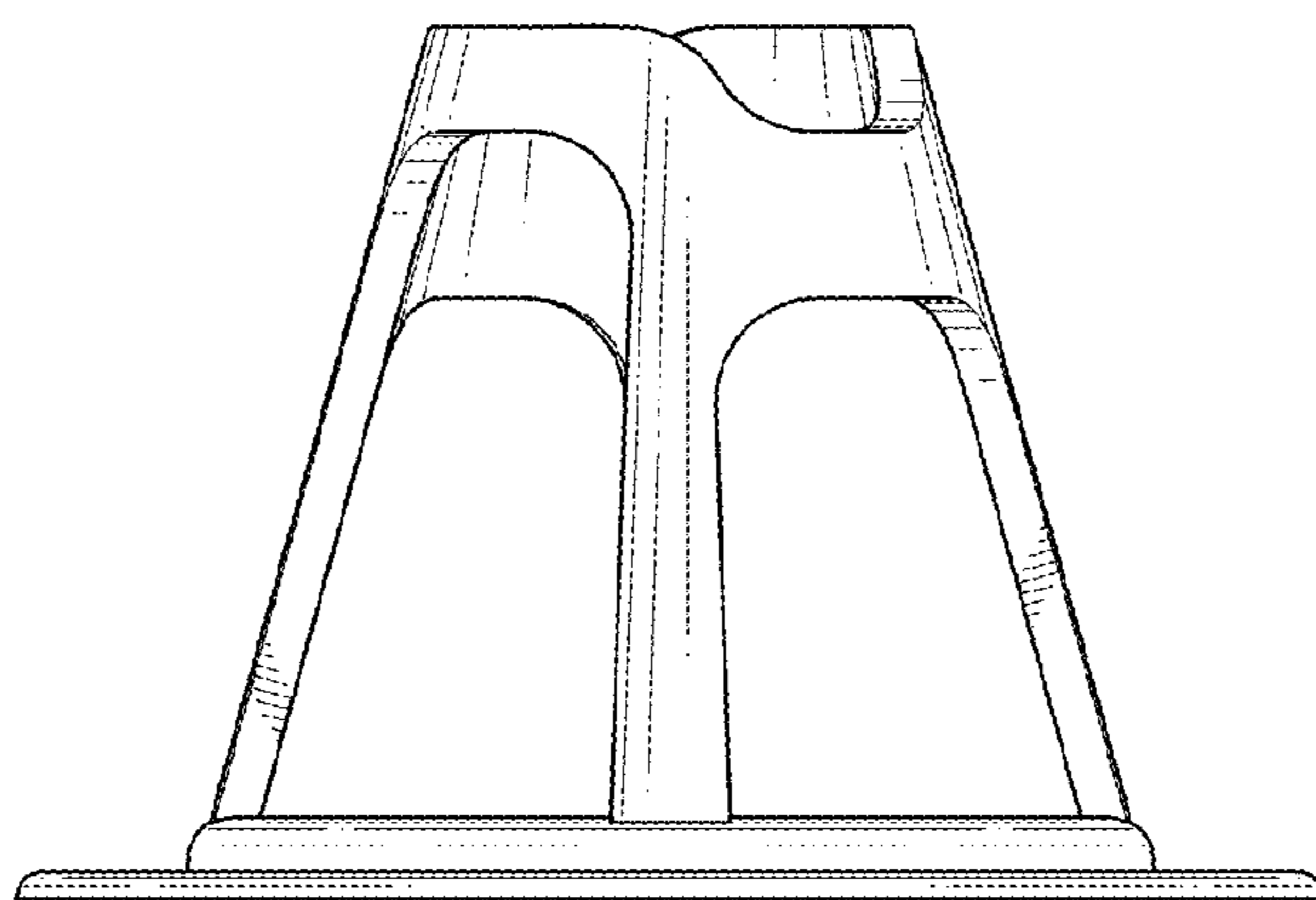


FIG. 5

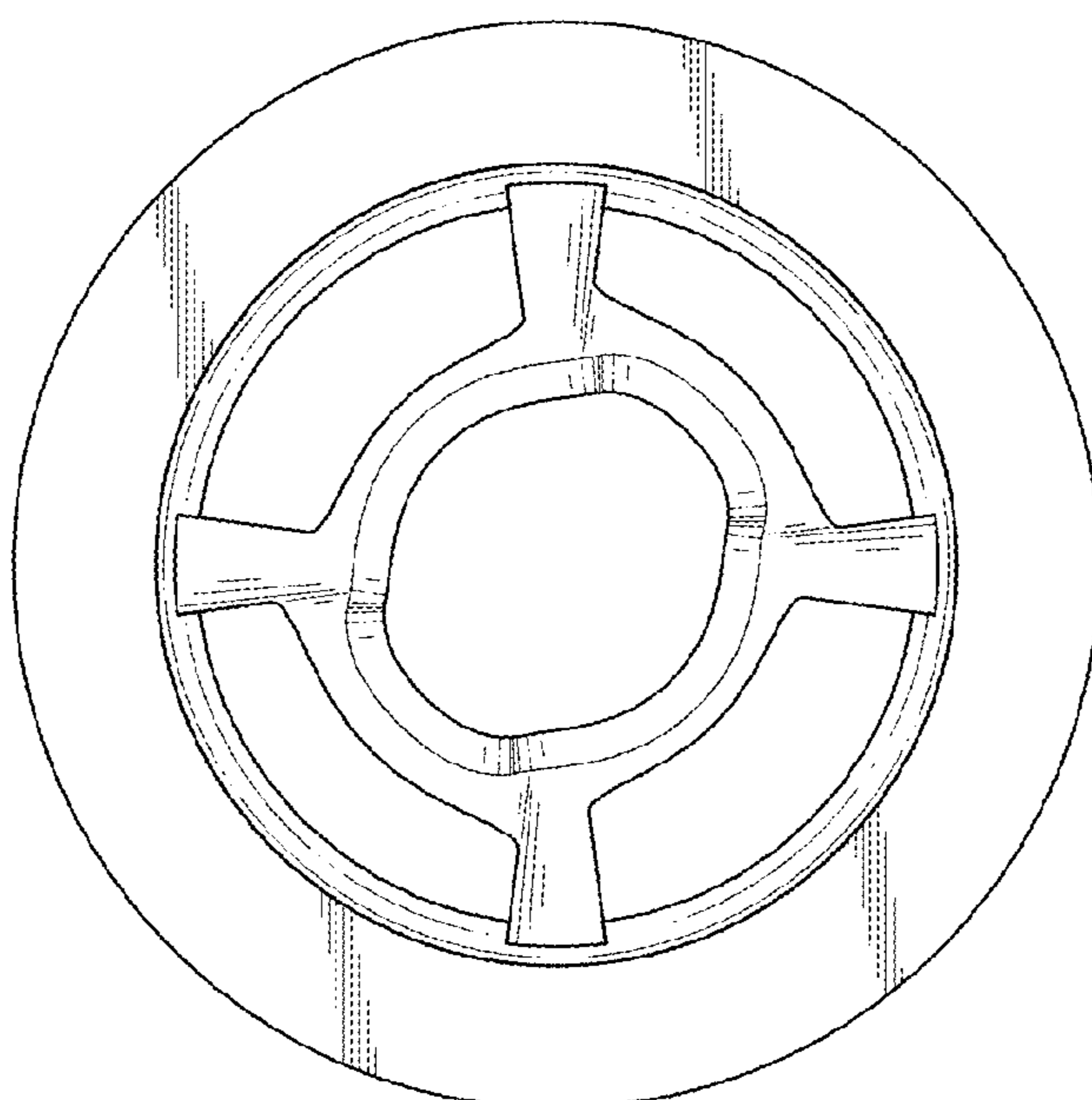


FIG. 4

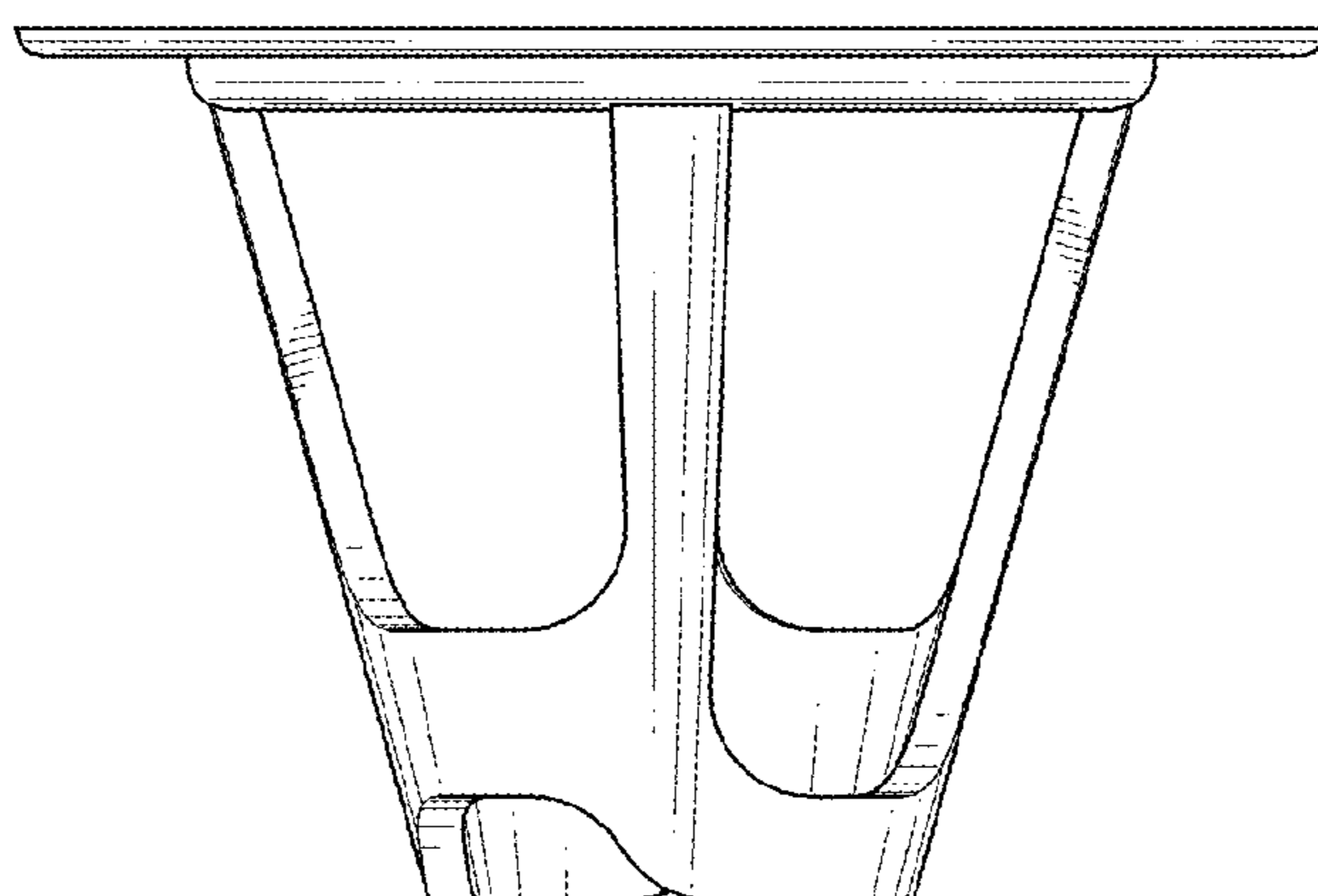


FIG. 6

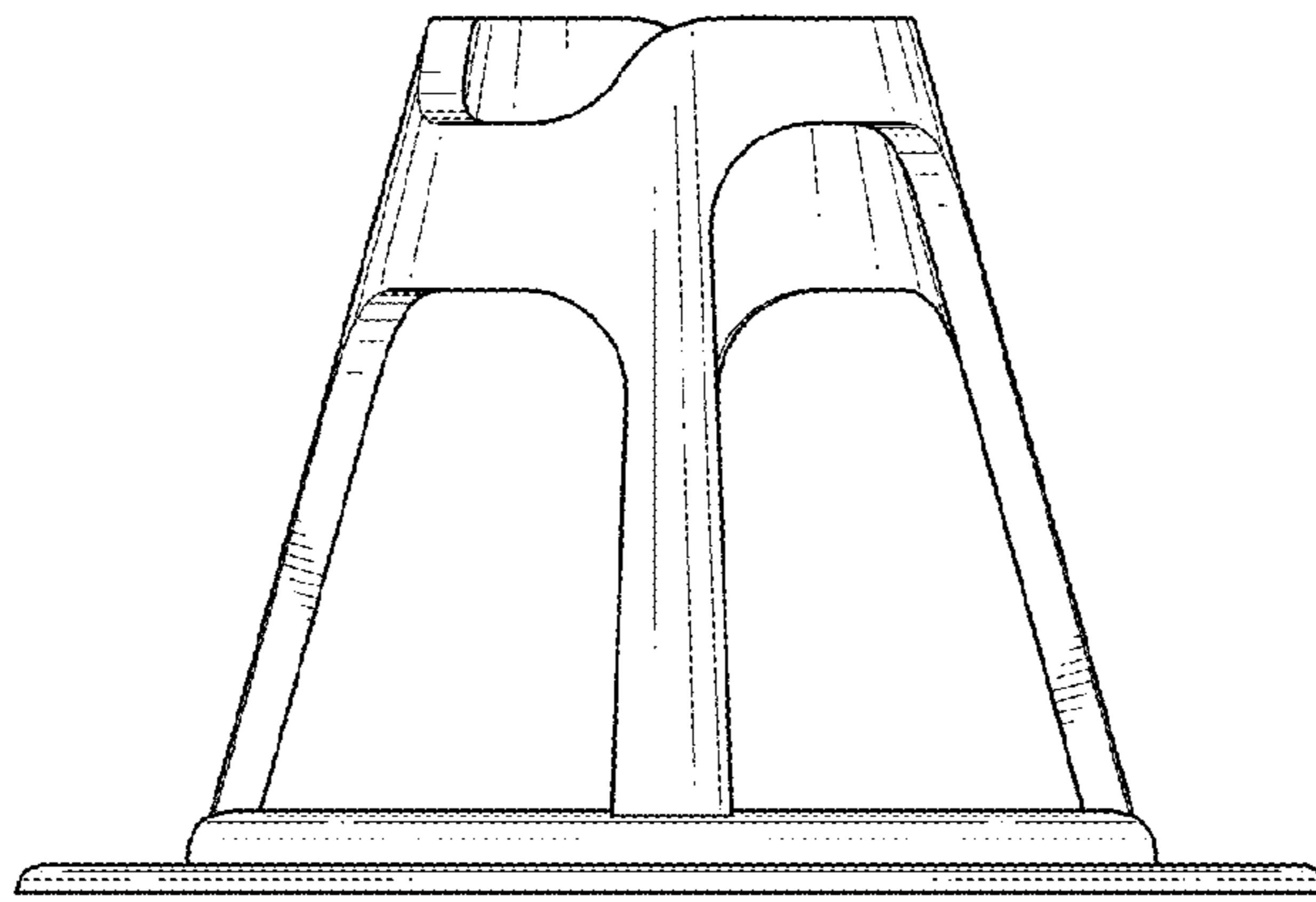


FIG. 8

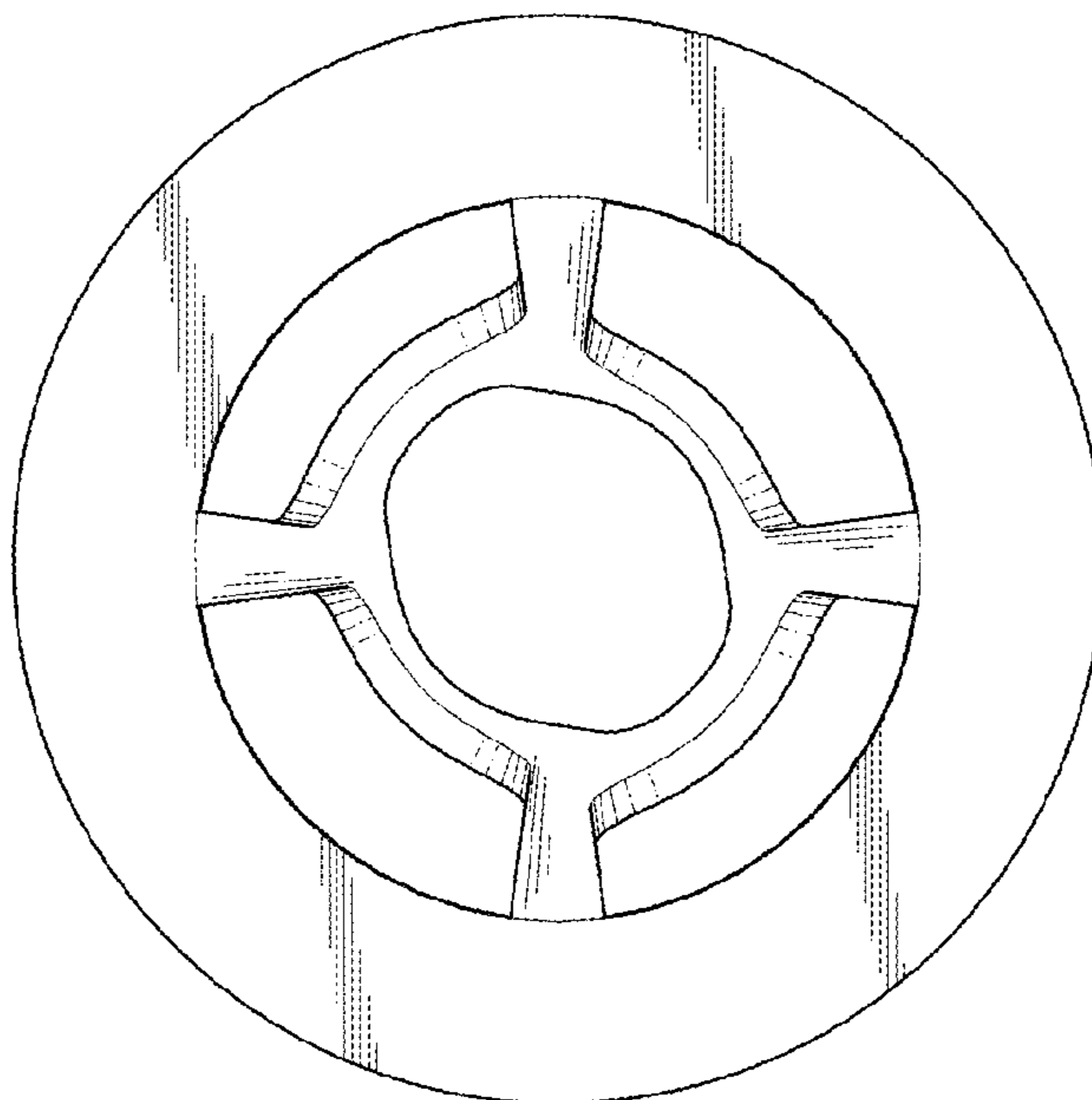


FIG. 7

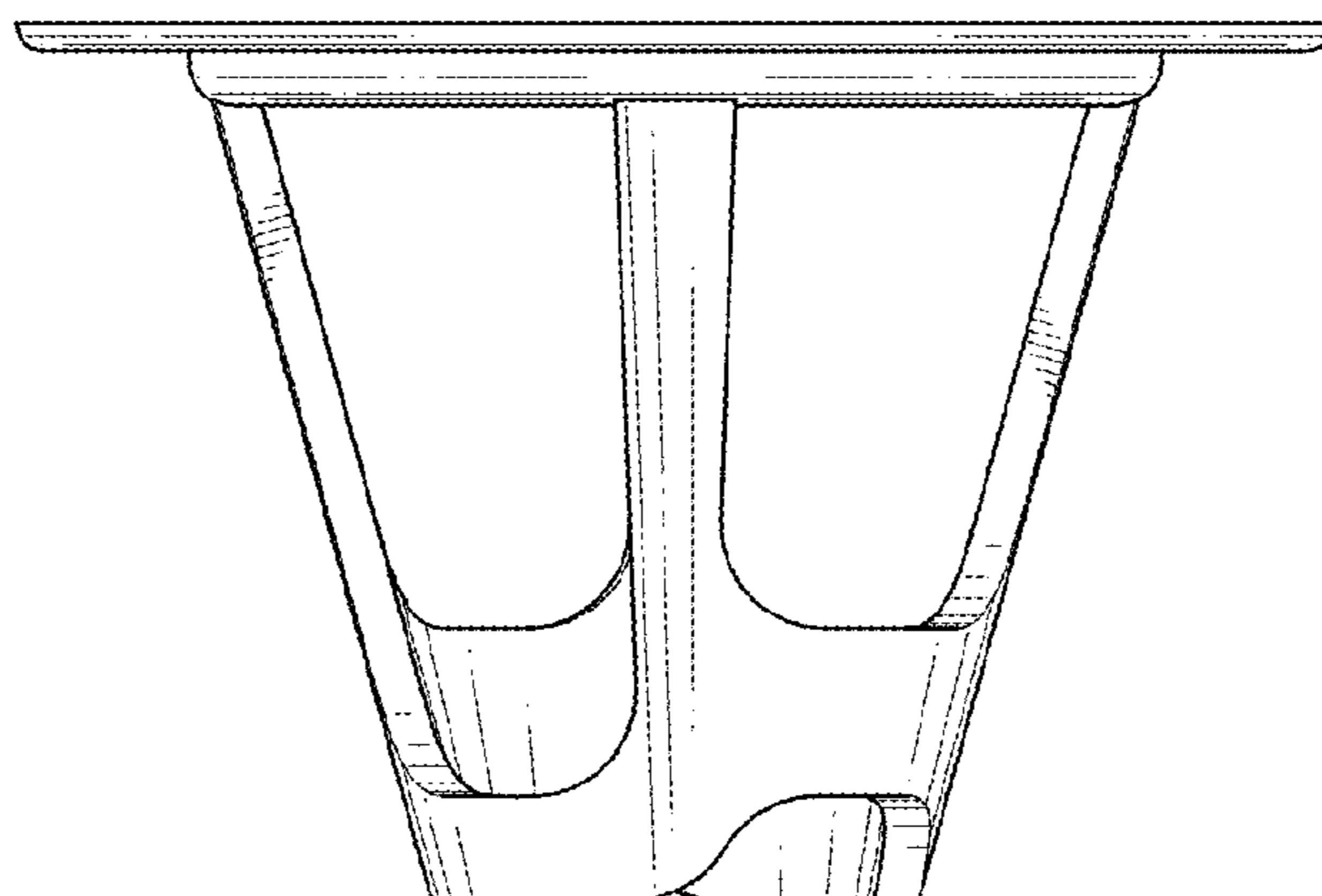


FIG. 9