



US00D968192S

(12) **United States Design Patent** (10) **Patent No.:** **US D968,192 S**  
**Mersky** (45) **Date of Patent:** **\*\* Nov. 1, 2022**

(54) **CABINET HANDLE**  
(71) Applicant: **Hardware Resources, Inc.**, Bossier City, LA (US)  
(72) Inventor: **Stephanie Mersky**, Bossier City, LA (US)  
(73) Assignee: **HARDWARE RESOURCES, INC.**, Bossier City, LA (US)  
(\*\*) Term: **15 Years**  
(21) Appl. No.: **29/652,964**  
(22) Filed: **Jan. 23, 2021**  
(51) **LOC (13) Cl.** ..... **08-06**  
(52) **U.S. Cl.**  
USPC ..... **D8/316; D8/315**  
(58) **Field of Classification Search**  
USPC ..... D8/315-16, 319-322  
CPC ..... A47B 95/02; Y10T 16/458; Y10T 16/462  
See application file for complete search history.

D779,915 S \* 2/2017 Zimmer ..... D8/317  
D788,567 S \* 6/2017 Zimmer ..... D8/317  
D790,316 S \* 6/2017 Zimmer ..... D8/316  
D800,531 S \* 10/2017 Chang ..... D8/316  
D803,659 S \* 11/2017 Zimmer ..... D8/316  
(Continued)

**OTHER PUBLICATIONS**

“Jeffrey Alexander 317-96SN Lafayette Pull”, May 11, 2009, Amazon.com, site visited Jan. 15, 2022: <https://www.amazon.com/Jeffrey-Alexander-317-96SN-Lafayette-Nickel/dp/B00365VC08> (Year: 2009).\*  
(Continued)

*Primary Examiner* — Jack Reickel  
*Assistant Examiner* — Michael A Kervin  
(74) *Attorney, Agent, or Firm* — Schultz & Associates, P.C.

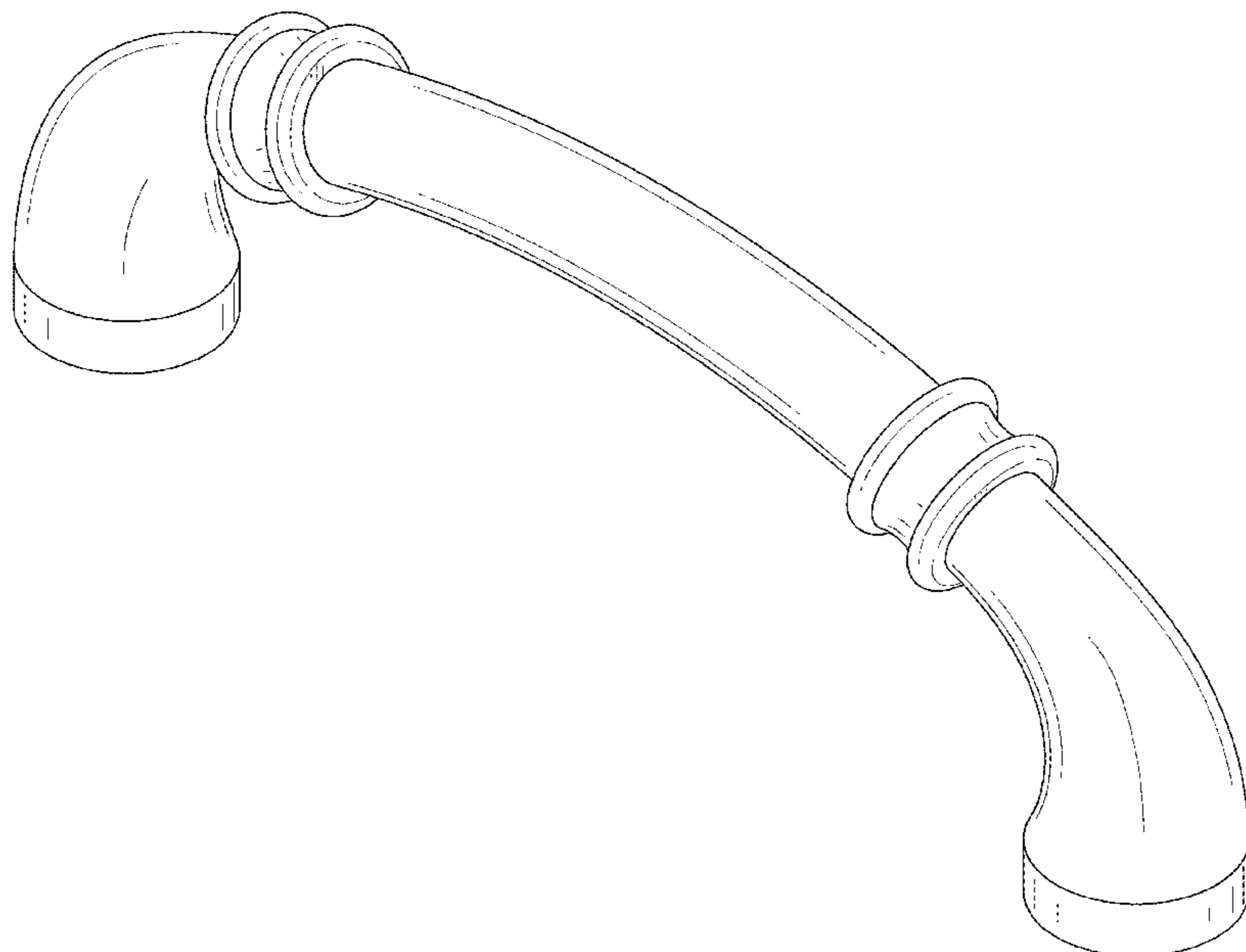
(57) **CLAIM**  
The ornamental design for a cabinet handle, as shown and described.

**DESCRIPTION**

FIG. 1 is a front perspective view of a cabinet handle, shown independent of environment for ease of disclosure only; FIG. 2 is a front elevation view thereof, shown independent of environment for ease of disclosure only; FIG. 3 is a side elevation view thereof, shown independent of environment for ease of disclosure only; FIG. 4 is a top plan view thereof, shown independent of environment for ease of disclosure only; FIG. 5 is a bottom plan view thereof, shown independent of environment for ease of disclosure only; and, FIG. 6 is a second perspective view of a Cabinet Handle, shown independent of environment for ease of disclosure only. The broken line shown represent portions of the cabinet handle and form no part of the claimed design.

**1 Claim, 5 Drawing Sheets**

(56) **References Cited**  
U.S. PATENT DOCUMENTS  
D468,145 S \* 1/2003 Ouyoung ..... D6/549  
D540,090 S \* 4/2007 Chen ..... D6/549  
D550,536 S \* 9/2007 Ricereto ..... D8/316  
D563,759 S \* 3/2008 Oliver ..... D8/316  
D564,334 S \* 3/2008 Lee ..... D8/316  
D573,868 S \* 7/2008 Ricereto ..... D8/315  
D605,924 S \* 12/2009 Hanes ..... D8/317  
D639,409 S \* 6/2011 Gilbert ..... D23/304  
D642,446 S \* 8/2011 Roe ..... D8/320  
D648,615 S \* 11/2011 Mattson ..... D8/317  
D661,970 S \* 6/2012 Han ..... D8/316  
D661,972 S \* 6/2012 Han ..... D8/316  
D664,023 S \* 7/2012 Gilbert ..... D8/316  
D721,259 S \* 1/2015 Ramsland ..... D8/316  
D737,112 S \* 8/2015 Han ..... D8/316



(56)

**References Cited**

U.S. PATENT DOCUMENTS

D849,505 S \* 5/2019 Chang ..... D8/316  
2008/0179905 A1\* 7/2008 Park ..... A47K 17/022  
294/187  
2009/0211015 A1\* 8/2009 Forrest ..... A47K 17/022  
4/576.1  
2018/0023800 A1\* 1/2018 Jean ..... B60Q 3/217  
362/145

OTHER PUBLICATIONS

“Richelieu Hardware 630096222 Novara Collection Cabinet Pull”,  
Nov. 27, 2012, Amazon.com, site visited Jan. 15, 2022: [https://  
www.amazon.com/dp/B00AEB6BCG](https://www.amazon.com/dp/B00AEB6BCG) (Year: 2012).\*  
“Marie Cabinet Pull”, Dec. 10, 2020, Amazon.com, site visited Jan.  
15, 2022: [https://www.amazon.com/Center-Center-Matte-Black-  
Cabinet/dp/B08Q8MKFHC](https://www.amazon.com/Center-Center-Matte-Black-Cabinet/dp/B08Q8MKFHC) (Year: 2020).\*

\* cited by examiner

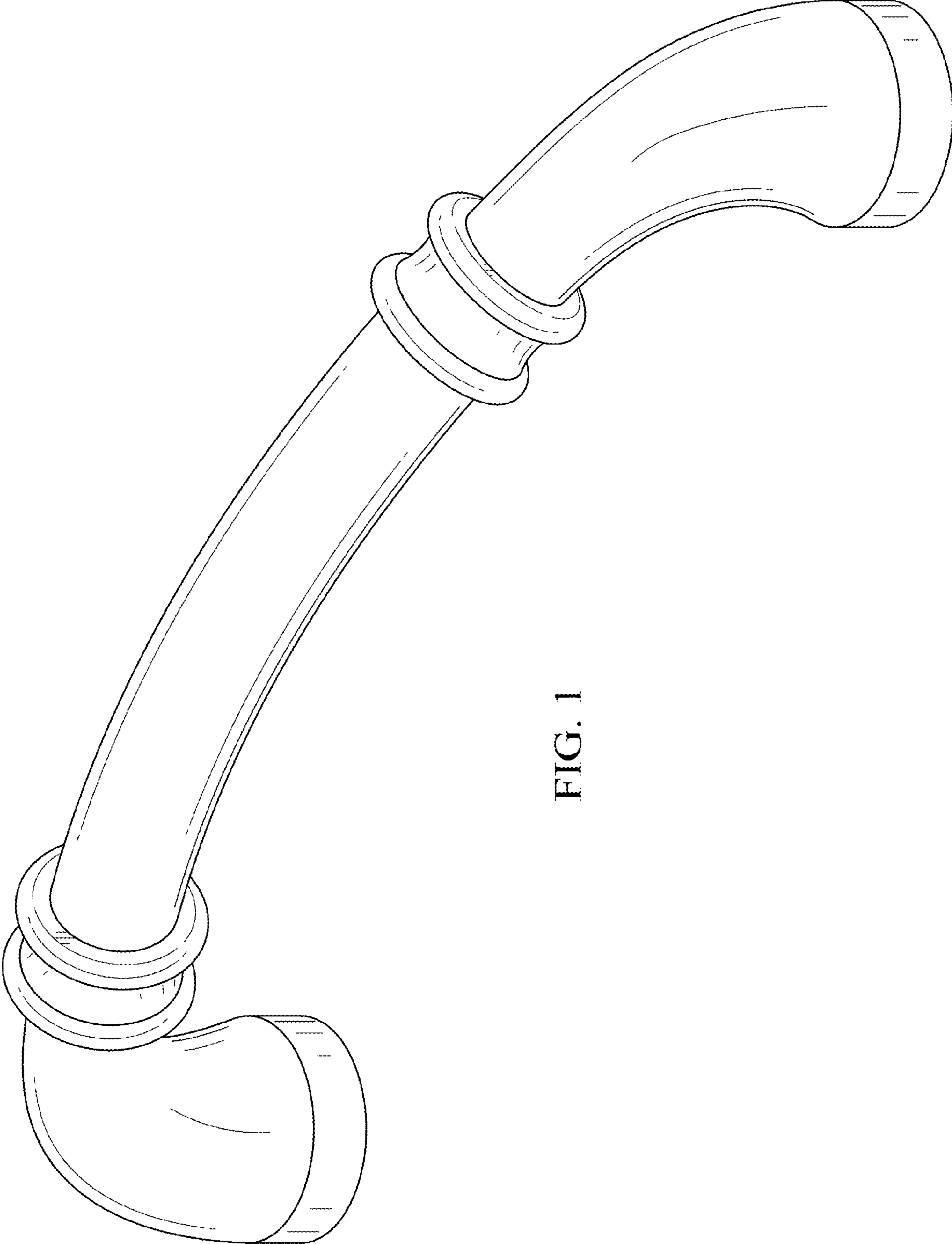


FIG. 1

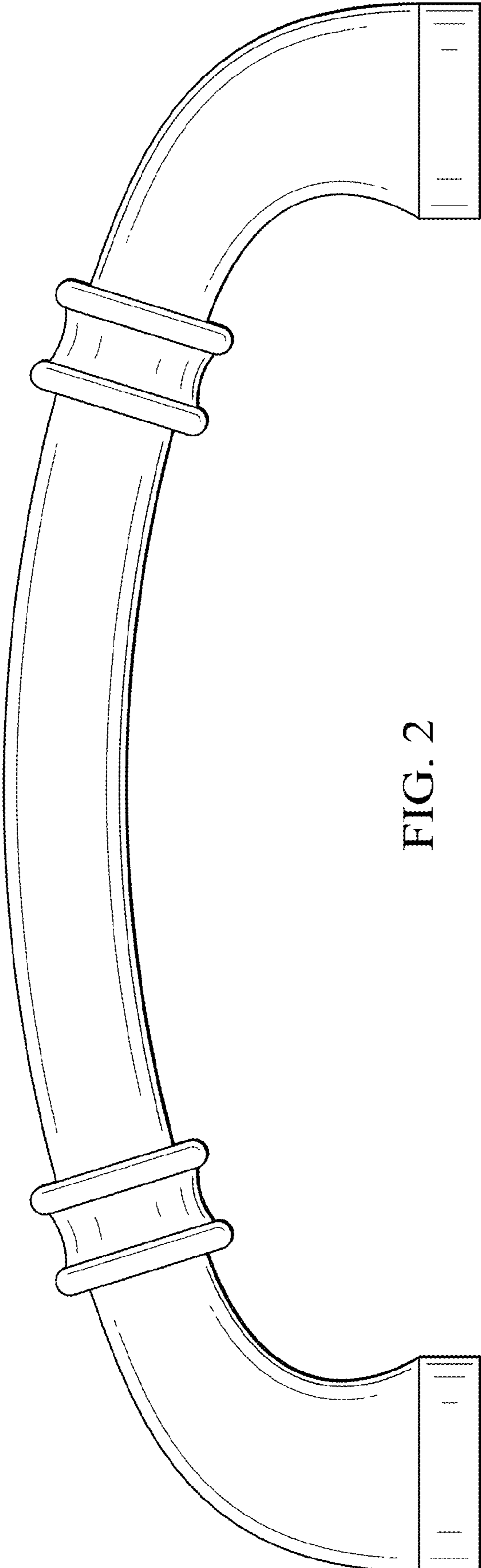


FIG. 2

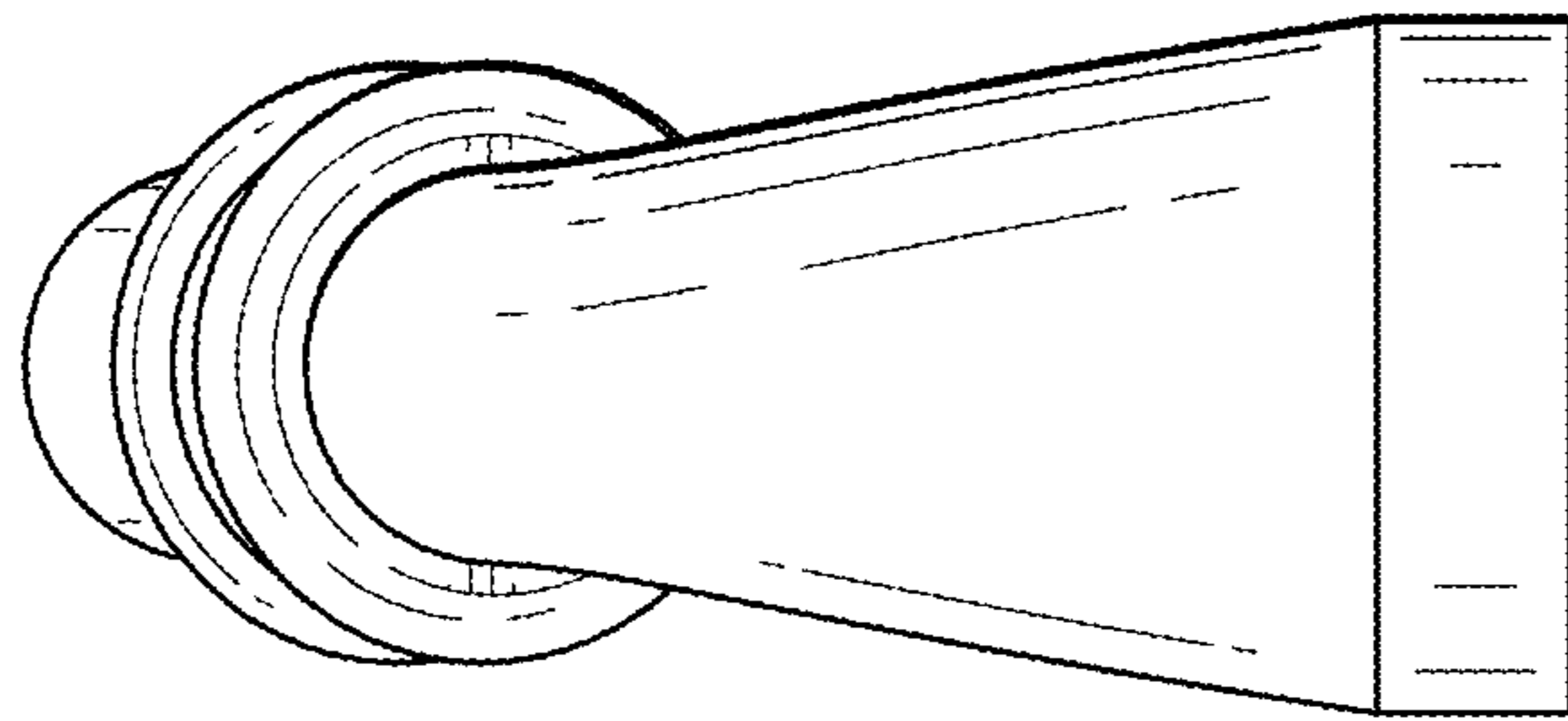


FIG. 3

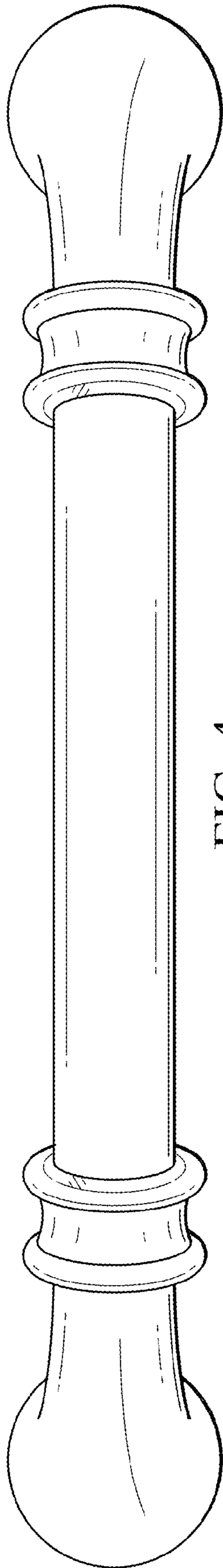


FIG. 4

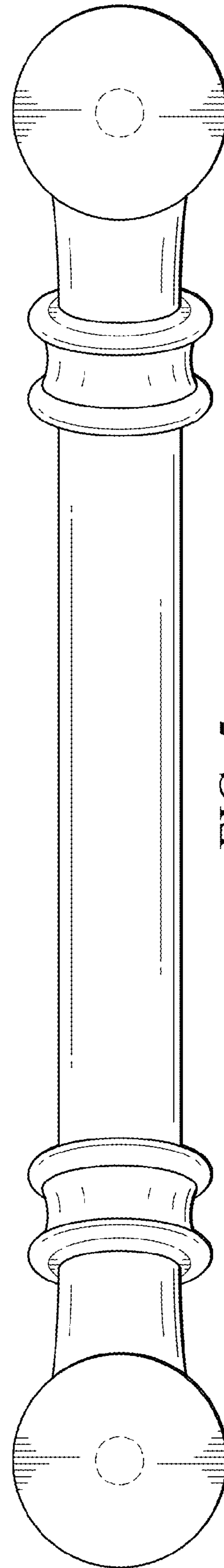


FIG. 5

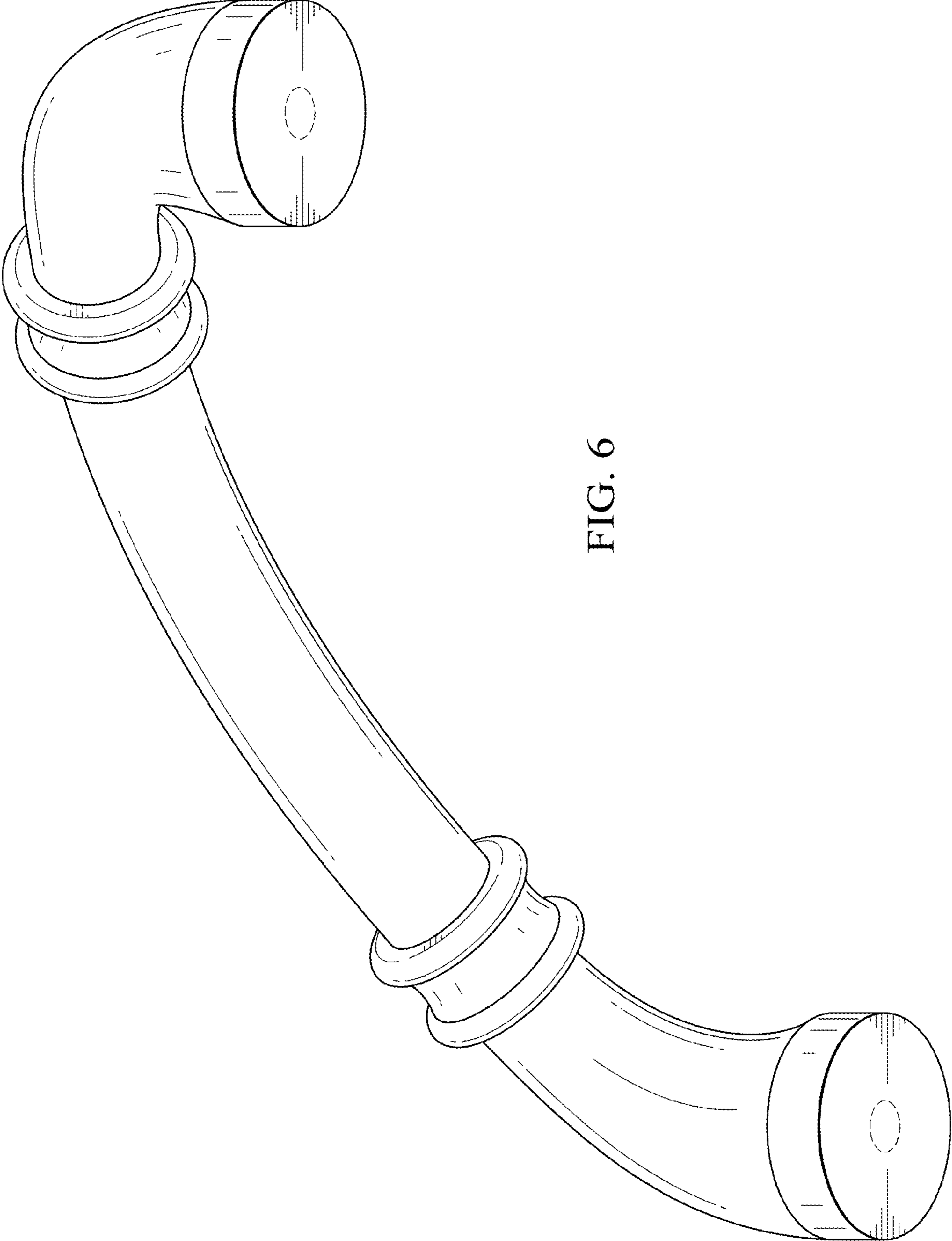


FIG. 6