



US00D968191S

(12) **United States Design Patent**  
**Sharp et al.**

(10) **Patent No.:** **US D968,191 S**

(45) **Date of Patent:** **\*\* Nov. 1, 2022**

(54) **STORAGE CABINET HANDLE**

(71) Applicant: **Harbor Freight Tools USA, Inc.**,  
Calabasas, CA (US)

(72) Inventors: **William Thomas Sharp**, Camarillo,  
CA (US); **Michael Matteo**, Los  
Angeles, CA (US)

(73) Assignee: **HARBOR FREIGHT TOOLS USA,**  
**INC.**, Calabasas, CA (US)

(\*\*) Term: **15 Years**

(21) Appl. No.: **29/838,155**

(22) Filed: **May 11, 2022**

**Related U.S. Application Data**

(62) Division of application No. 29/705,339, filed on Sep.  
11, 2019, now Pat. No. Des. 961,356.

(51) **LOC (13) Cl.** ..... **08-06**

(52) **U.S. Cl.**  
USPC ..... **D8/315**

(58) **Field of Classification Search**  
USPC ..... D8/316, 315, 317, 319, 320, 321, 331,  
D8/337, 338, 341; D28/41, 42  
CPC . Y10T 16/498; Y10T 16/476; Y10T 16/4644;  
Y10T 16/513; Y10T 16/509  
See application file for complete search history.

(56) **References Cited**

**U.S. PATENT DOCUMENTS**

- D150,343 S \* 7/1948 Felver ..... D8/DIG. 1
- D199,615 S \* 11/1964 Aleks ..... D8/DIG. 1
- D199,839 S \* 12/1964 Simpson ..... D8/316
- D569,704 S 5/2008 Ricereto
- D679,983 S 4/2013 Ramsland

(Continued)

**OTHER PUBLICATIONS**

Harbor Freight, "56 In. x25 In. Professional Roll Cab, Red",  
published Nov. 19, 2019 at harborfreight.com: <<https://www.harborfreight.com/>>

harborfreight.com/tool-storage-organization/icon-tool-storage/56-in-x-25-in-professional-roll-cab-red-56134.html> (Last accessed Apr. 1, 2022).

*Primary Examiner* — Keli L Hill

*Assistant Examiner* — Harold E Blackwell, II

(74) *Attorney, Agent, or Firm* — McAndrews Held & Malloy, Ltd.

(57) **CLAIM**

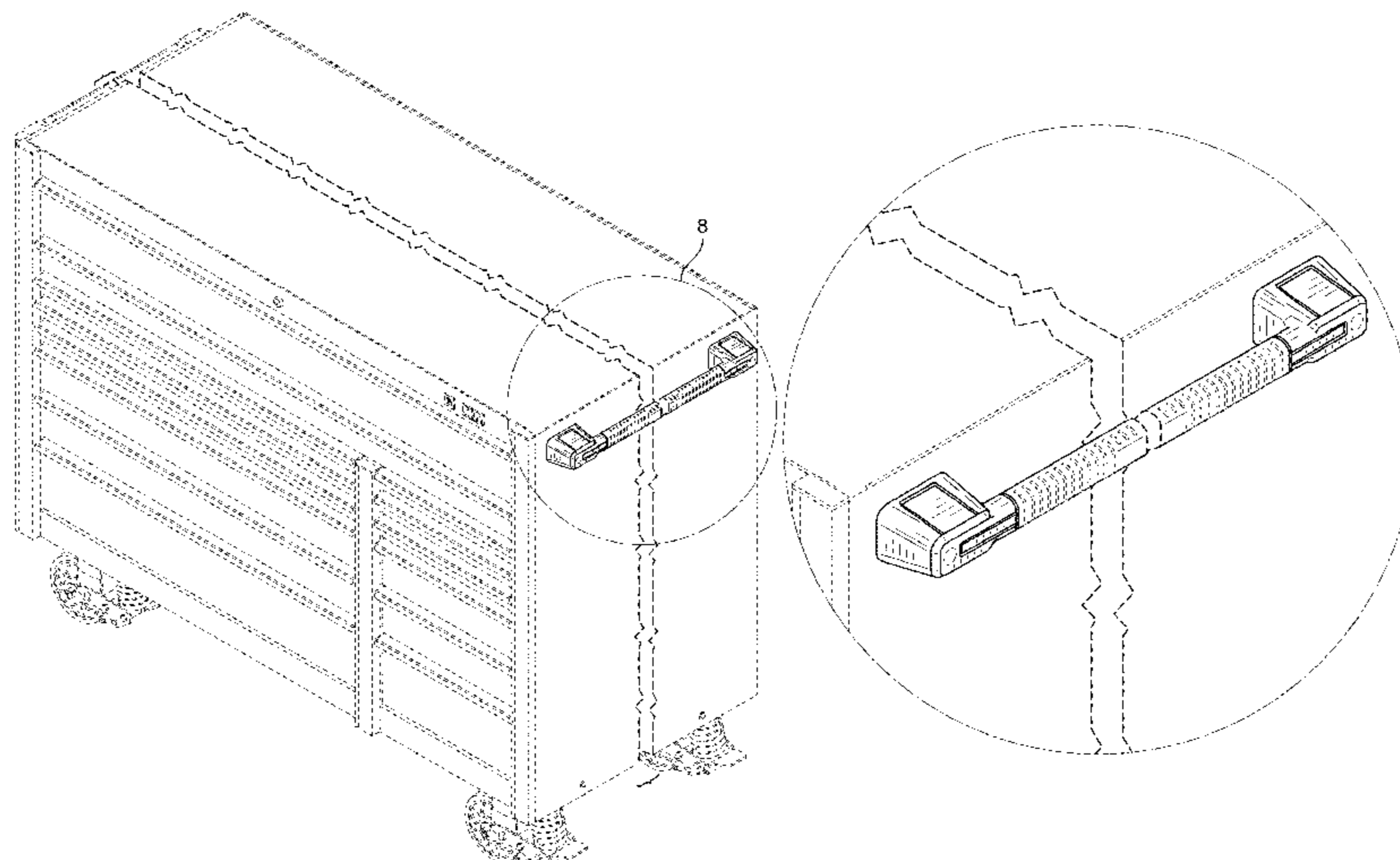
The ornamental design for a storage cabinet handle, as shown and described.

**DESCRIPTION**

FIG. 1 is a top-front perspective view of a storage cabinet handle showing our new design;  
 FIG. 2 is a front elevation view thereof;  
 FIG. 3 is a rear elevation thereof;  
 FIG. 4 is a right side elevation view thereof;  
 FIG. 5 is a left side elevation view thereof;  
 FIG. 6 is a top plan view thereof;  
 FIG. 7 is a bottom plan view thereof;  
 FIG. 8 is an enlarged view of the portion 8 encircled in FIG. 1;  
 FIG. 9 is an enlarged view of the portion 9 encircled in FIG. 2;  
 FIG. 10 is an enlarged view of the portion 10 encircled in FIG. 4; and,  
 FIG. 11 is an enlarged view of the portion 11 encircled in FIG. 6.

The dashed broken lines in the figures illustrate portions of the storage cabinet handle that form no part of the claimed design. The storage cabinet handle is shown with a symbolic break in its length. The appearance of any portion of the storage cabinet handle between the jagged break lines forms no part of the claimed design. The dot-dash broken lines in the drawings encircle portions of the claimed design that are illustrated in enlargements and form no part of the claimed design.

**1 Claim, 9 Drawing Sheets**



(56)

**References Cited**

U.S. PATENT DOCUMENTS

D843,810	S	3/2019	Hall	
D868,508	S	12/2019	Sprong	
D878,898	S	3/2020	Czuhajewski	
D878,899	S	3/2020	Czuhajewski	
D906,028	S *	12/2020	Chiao .....	D6/684
D947,534	S *	4/2022	Tilk .....	D3/297
D950,354	S *	5/2022	Cox .....	D8/315
D953,140	S *	5/2022	Chow .....	D8/316
D961,356	S *	8/2022	Sharp .....	D8/315

\* cited by examiner

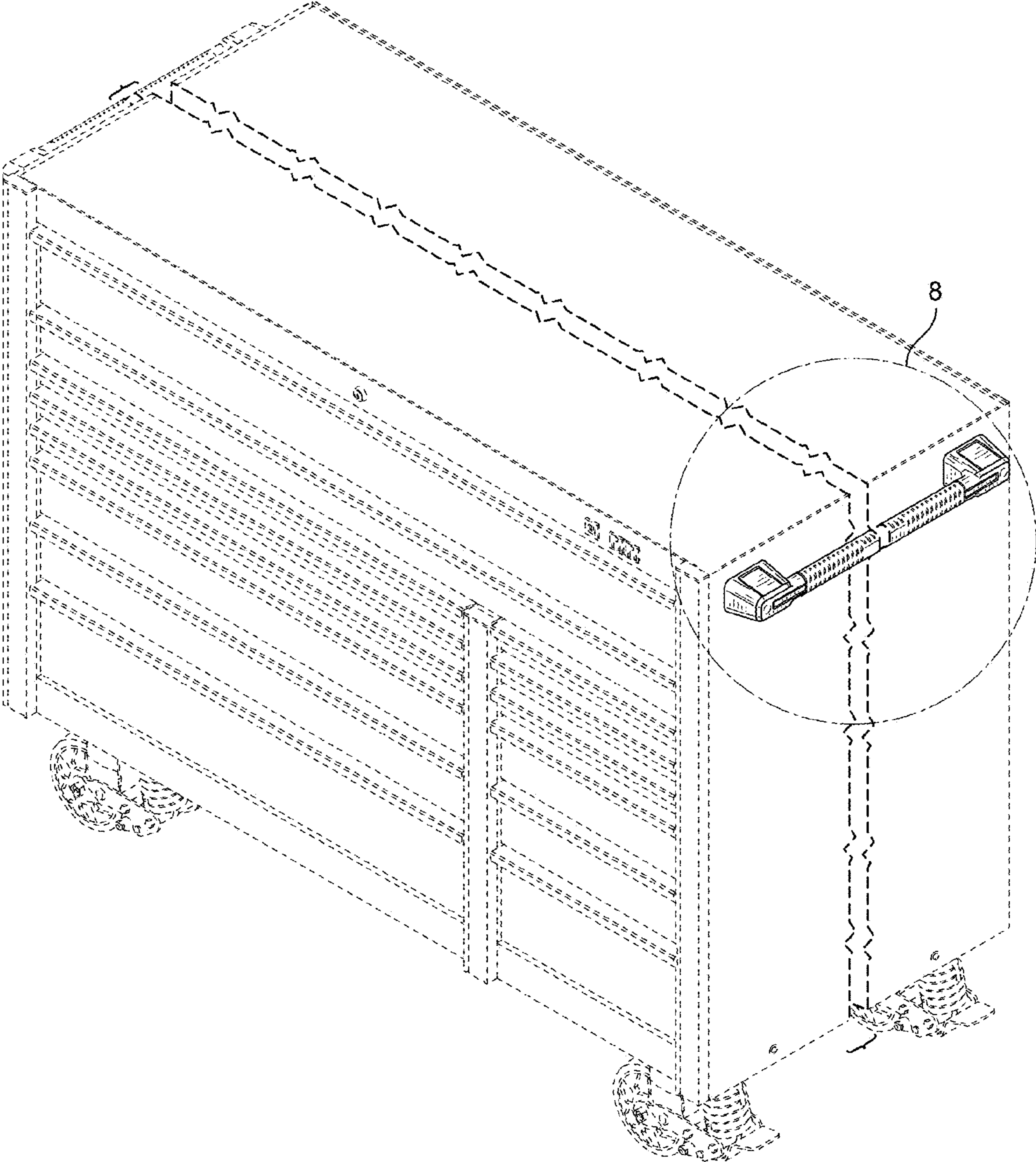


FIG. 1



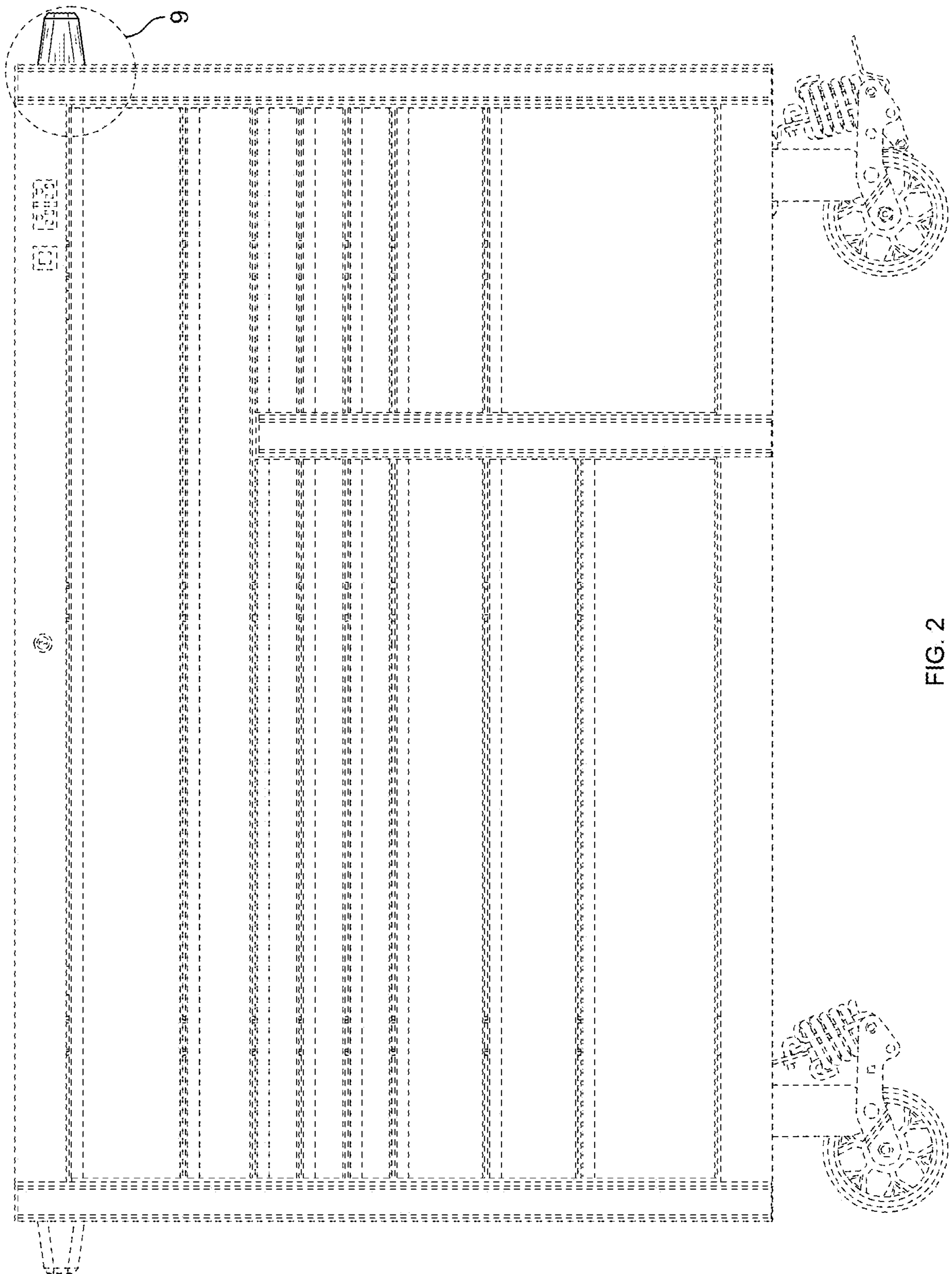


FIG. 2

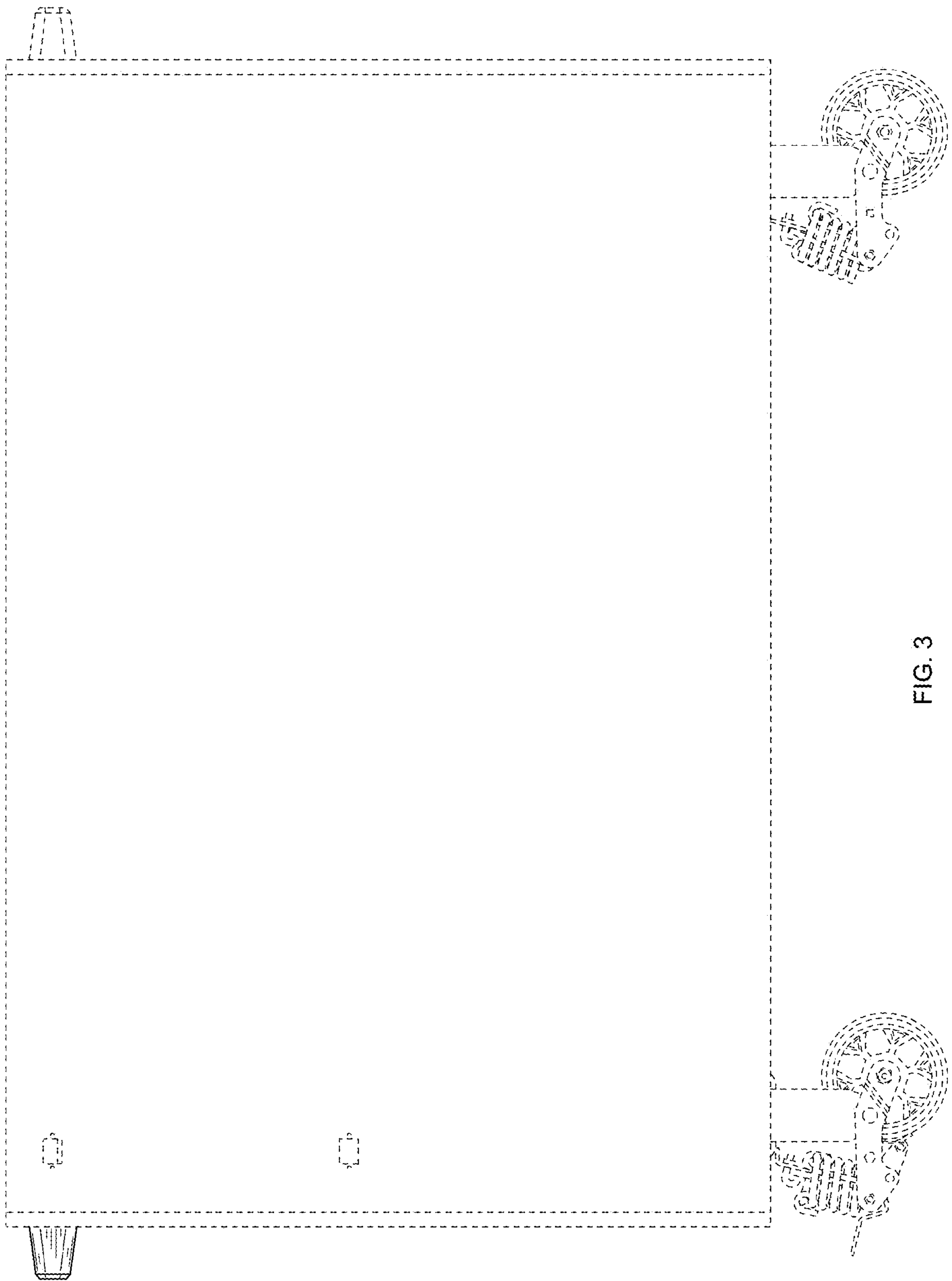


FIG. 3

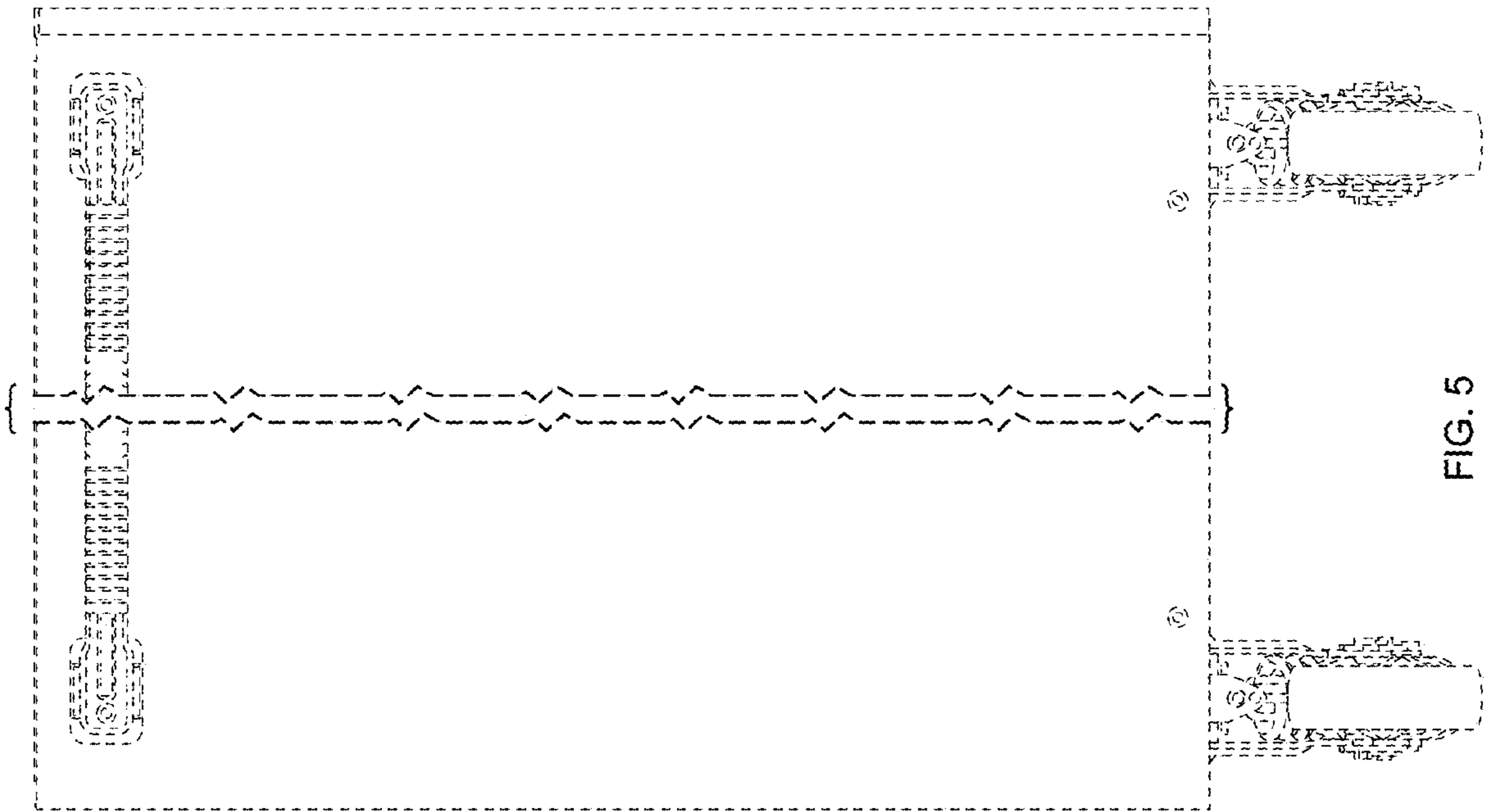


FIG. 5

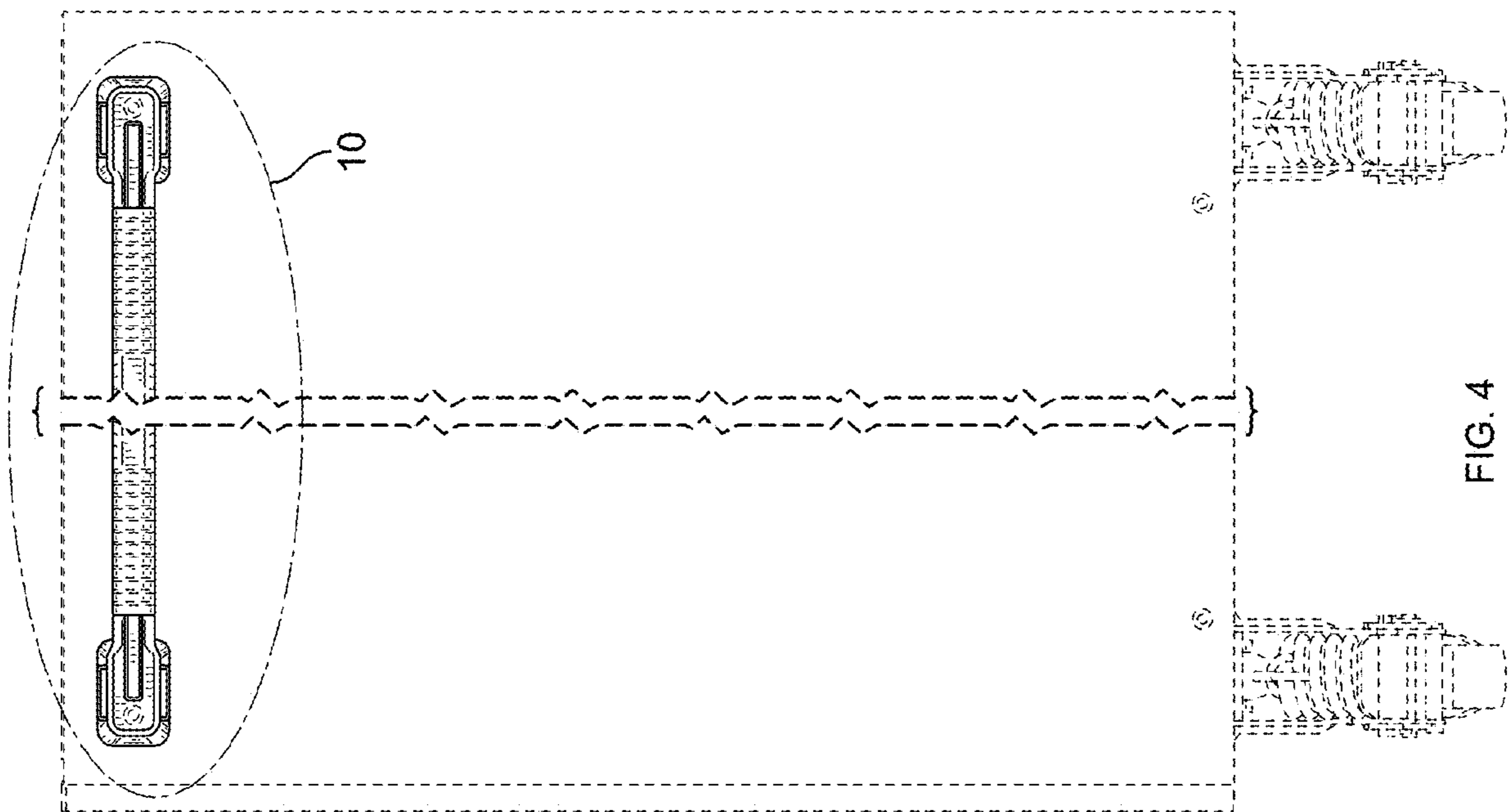


FIG. 4

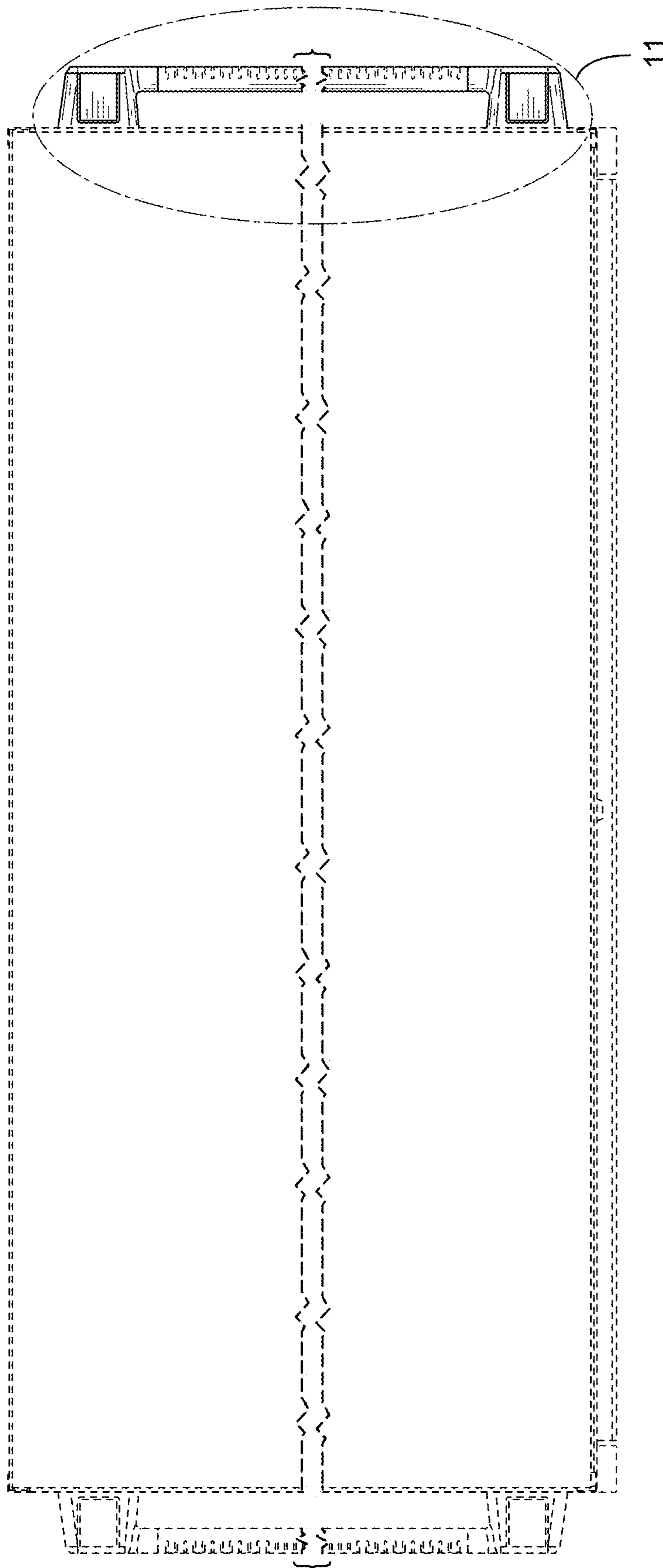


FIG. 6

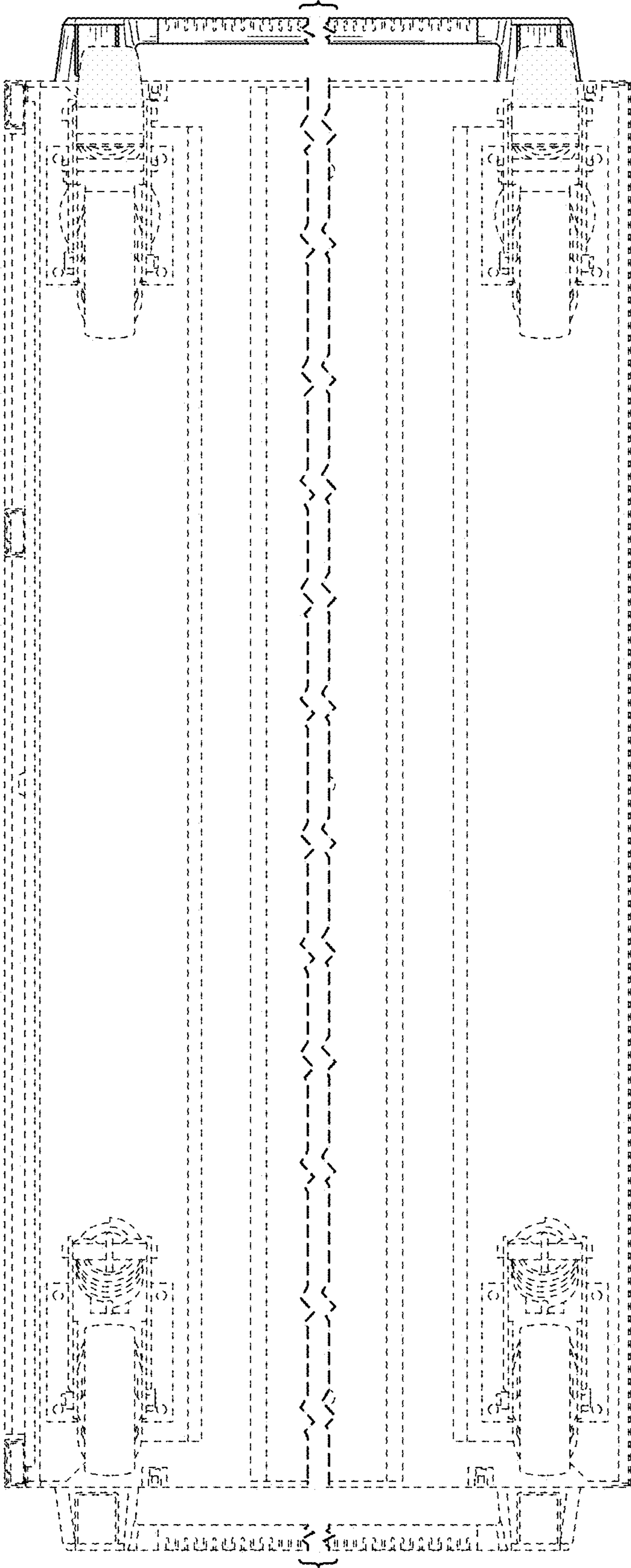


FIG. 7



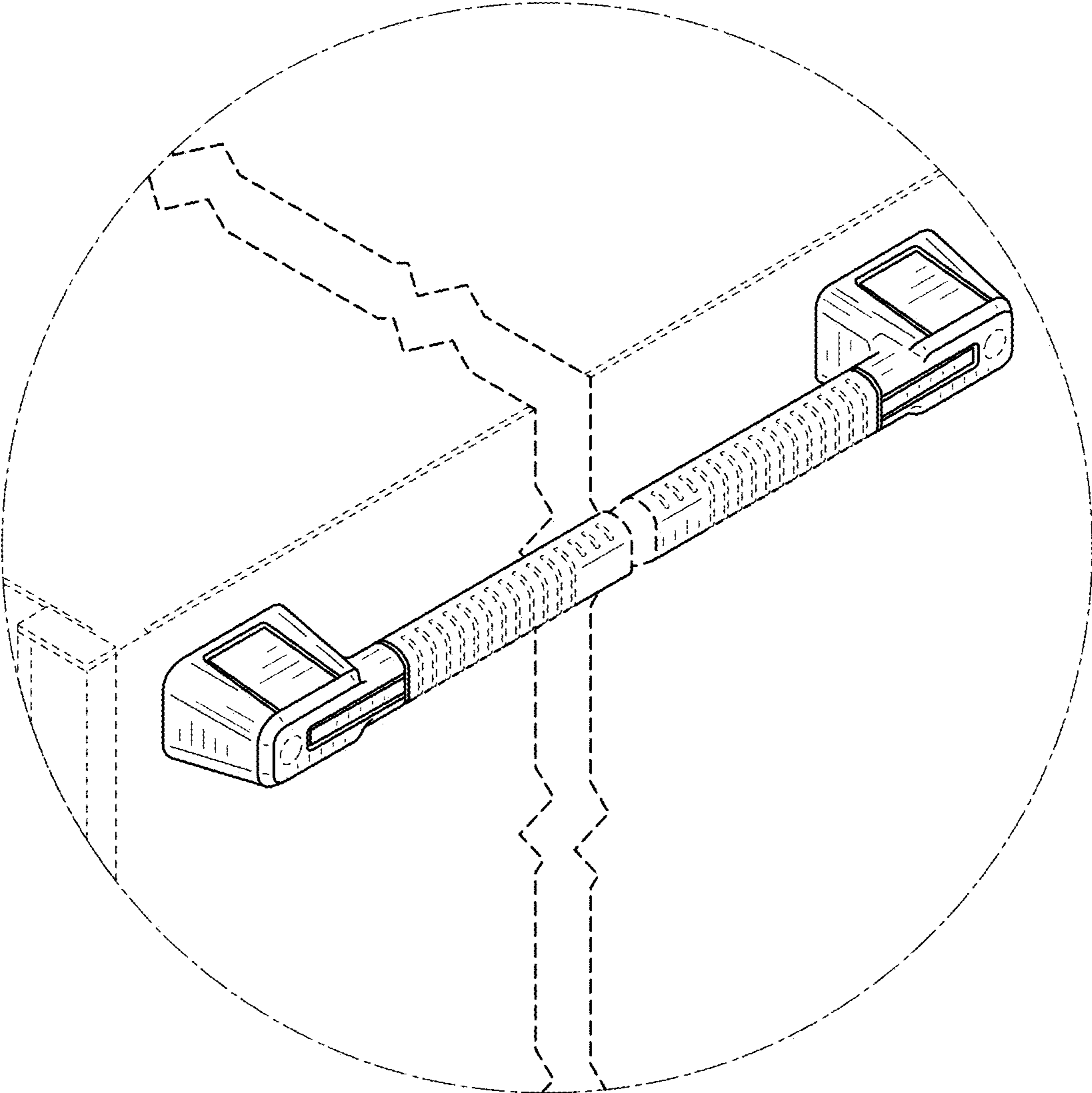


FIG. 8

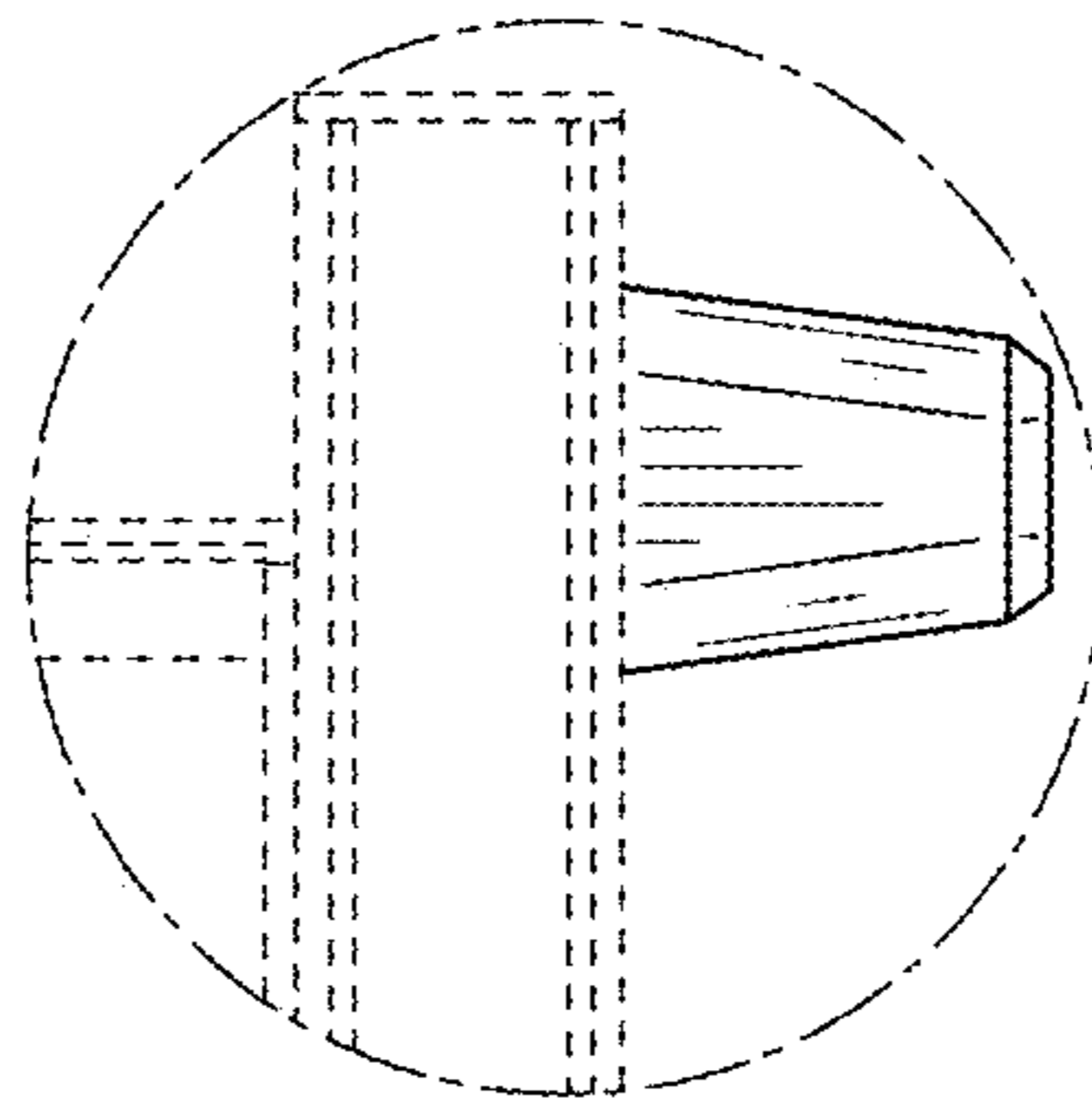


FIG. 9

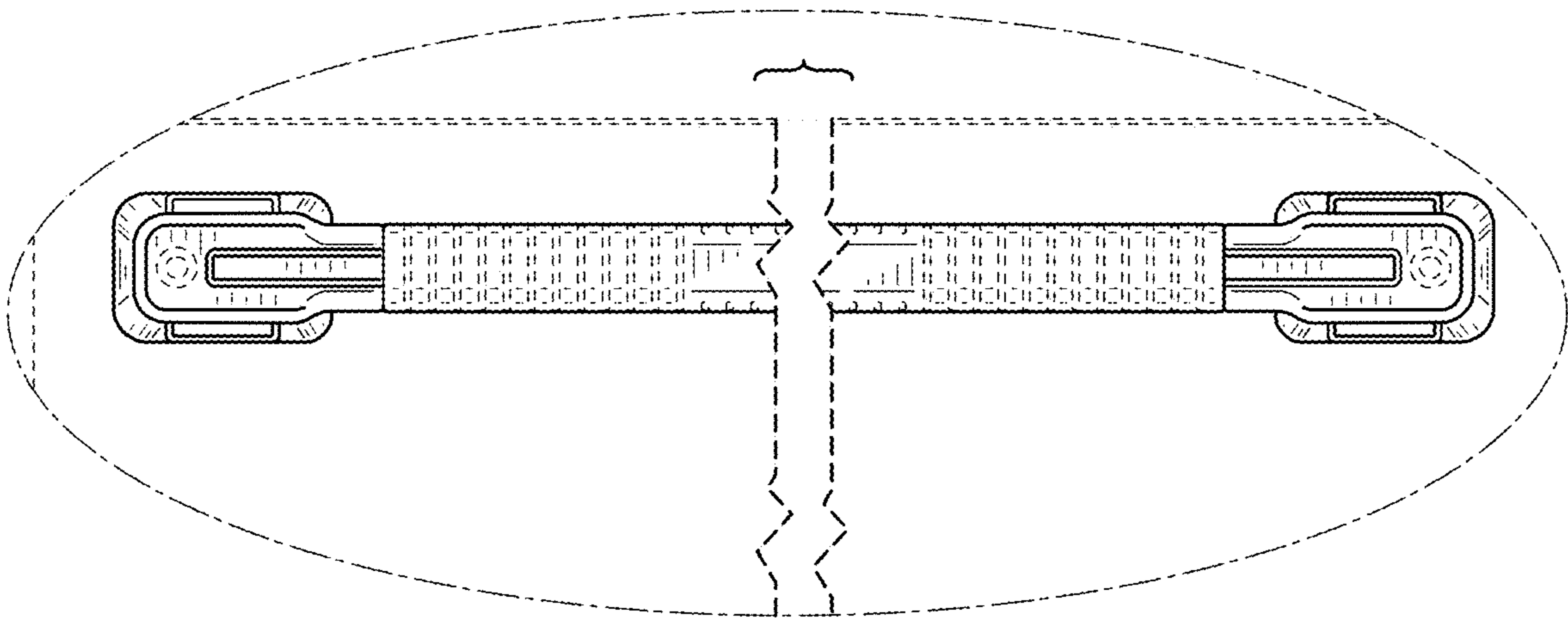


FIG. 10

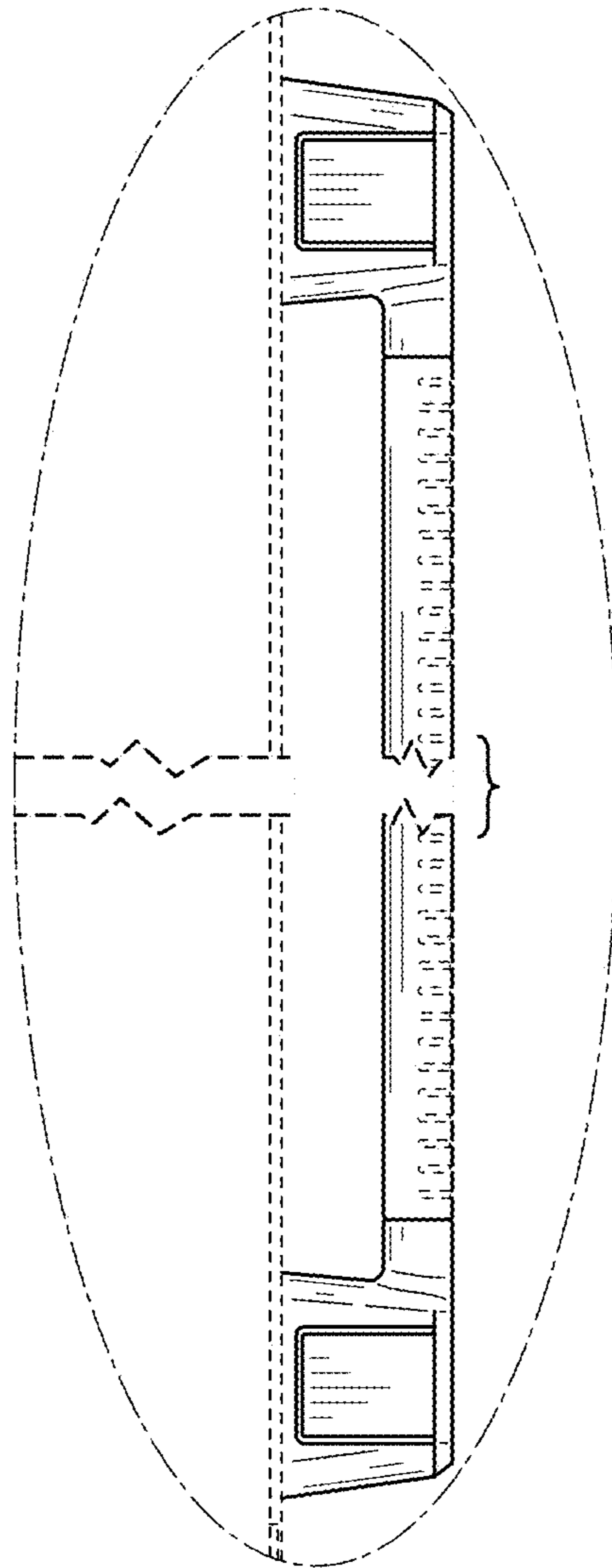


FIG. 11