



US00D968188S

(12) **United States Design Patent** (10) **Patent No.:** **US D968,188 S**
Yen (45) **Date of Patent:** **** Nov. 1, 2022**

(54) **HAND TOOL HANDLE**
(71) Applicant: **Cheng-Hung Yen**, Taichung (TW)
(72) Inventor: **Cheng-Hung Yen**, Taichung (TW)
(**) Term: **15 Years**
(21) Appl. No.: **29/772,484**
(22) Filed: **Mar. 2, 2021**
(51) **LOC (13) Cl.** **08-04**
(52) **U.S. Cl.**
USPC **D8/83**
(58) **Field of Classification Search**
USPC D8/14, 75, 82, 83, 84, 86, 107, 300, 85
CPC B25G 1/10; B25G 1/102; B25G 1/105;
B25B 15/02; B25B 15/04; B25B 15/06;
B25B 1/025; B25B 1/005; B25B 1/085
See application file for complete search history.

D562,665 S * 2/2008 Gao D8/86
D596,473 S * 7/2009 McKenzie D8/85
D727,126 S * 4/2015 Robinson D8/51
D829,524 S * 10/2018 Su D8/83
D913,612 S * 3/2021 Knowlton D32/25
D915,163 S * 4/2021 Reynolds D8/14
D920,754 S * 6/2021 Davis D8/82
D926,312 S * 7/2021 Stoklund B25G 1/00
D24/147
2016/0066973 A1* 3/2016 Borries A61B 17/92
606/100
2019/0240818 A1* 8/2019 Ettling B25G 1/00

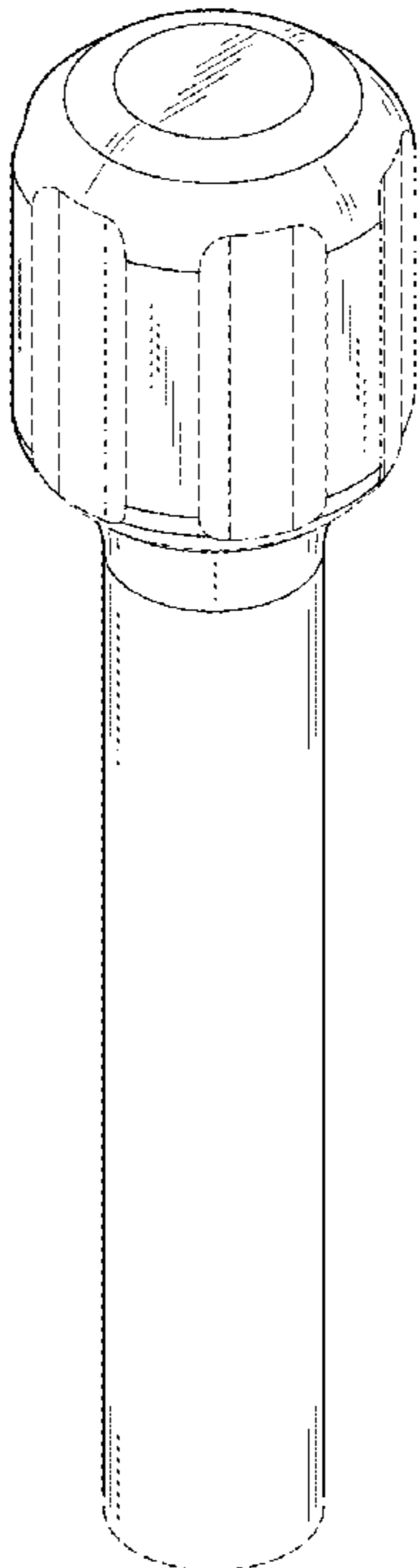
* cited by examiner
Primary Examiner — Philip S Hyder
(74) *Attorney, Agent, or Firm* — Birch, Stewart, Kolasch & Birch, LLP

(57) **CLAIM**
The ornamental design for a hand tool handle, as shown and described.

(56) **References Cited**
U.S. PATENT DOCUMENTS
2,587,944 A * 3/1952 Williams B25D 11/00
173/126
2,624,879 A * 1/1953 Baird B25C 1/02
227/147
4,483,475 A * 11/1984 Whitaker B25C 1/02
227/147
4,676,424 A * 6/1987 Meador B25C 1/02
227/147
5,181,644 A * 1/1993 Ferrell B25C 3/008
227/147
D371,944 S * 7/1996 Spierer D8/14
7,303,027 B1 * 12/2007 Laemmer E02D 5/64
173/132

DESCRIPTION
FIG. 1 is a perspective view of a hand tool handle, showing the new design;
FIG. 2 is a front elevational view thereof;
FIG. 3 is a top plan view thereof;
FIG. 4 is a bottom plan view thereof; and,
FIG. 5 is another perspective view of the hand tool handle of FIG. 1, illustrating that the hand tool handle is in a state of use.
The broken lines shown in FIGS. 1-5 illustrate portions of the hand tool handle that form no part of the claimed design.

1 Claim, 4 Drawing Sheets



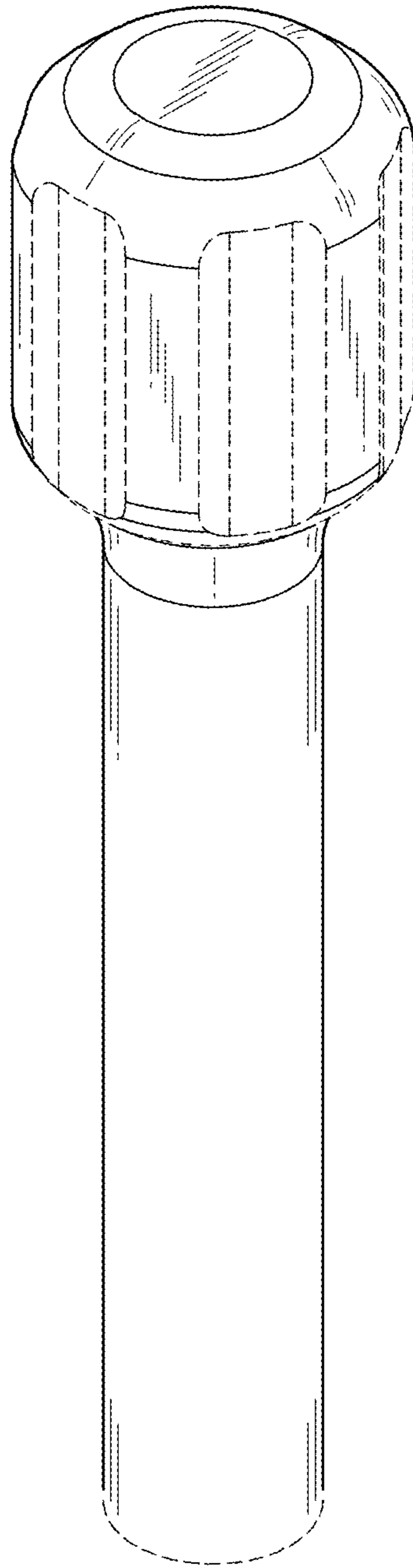


FIG. 1

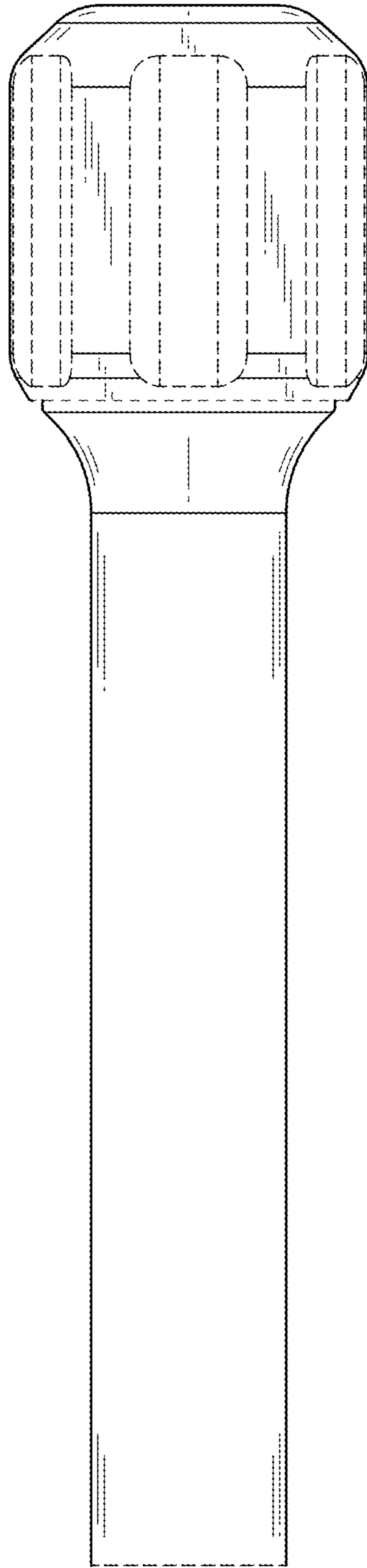


FIG. 2

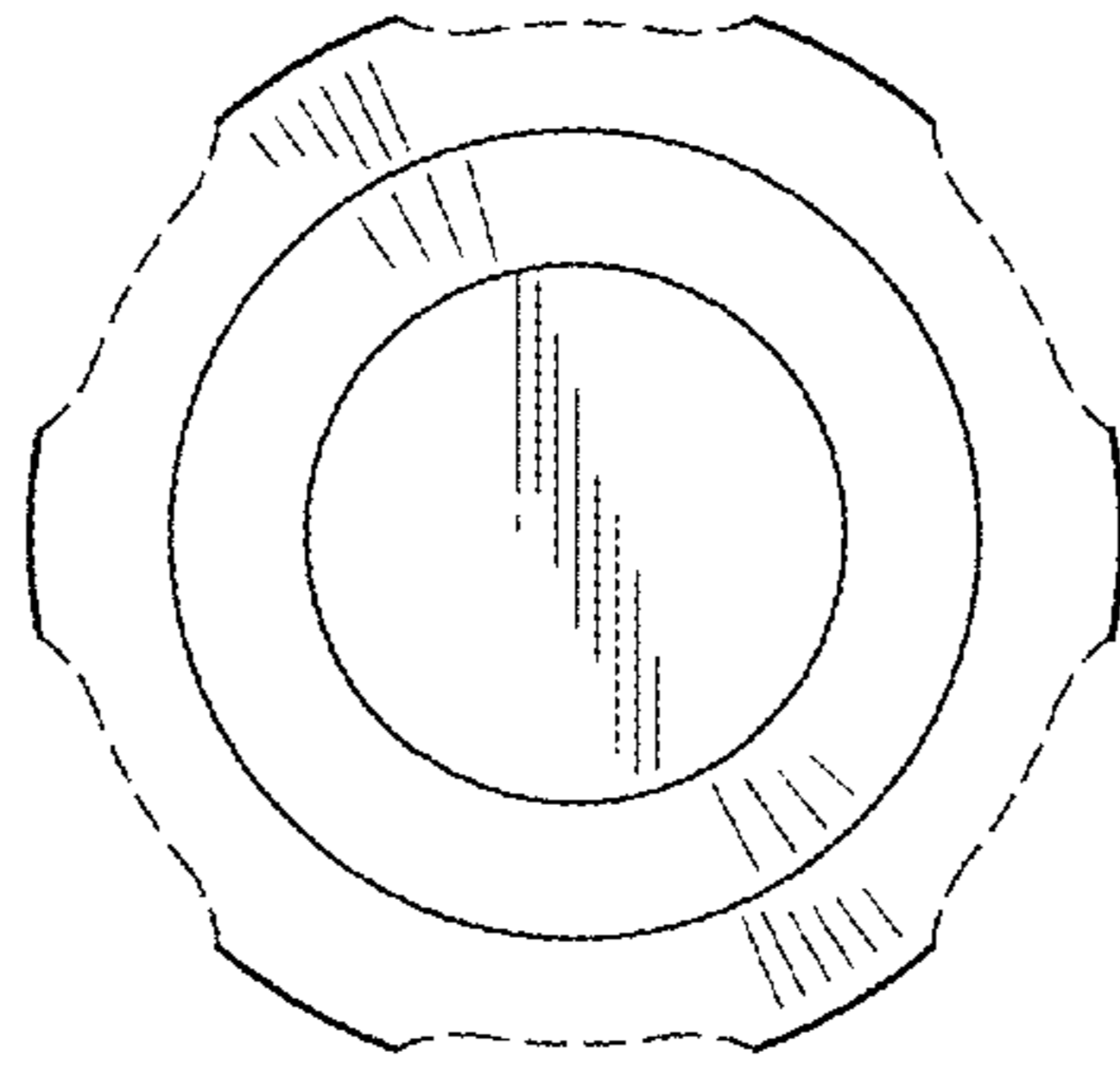


FIG. 3

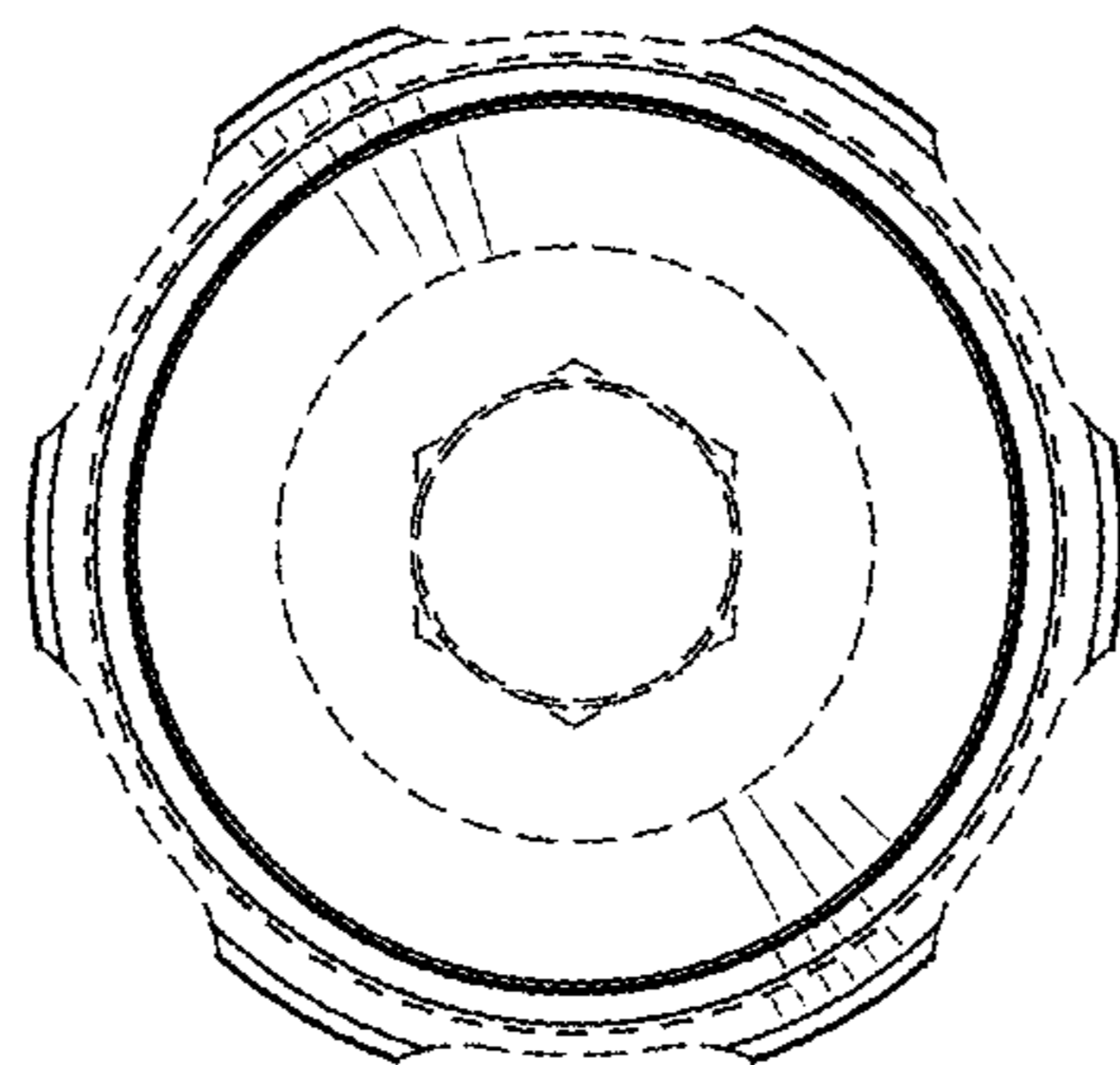


FIG. 4

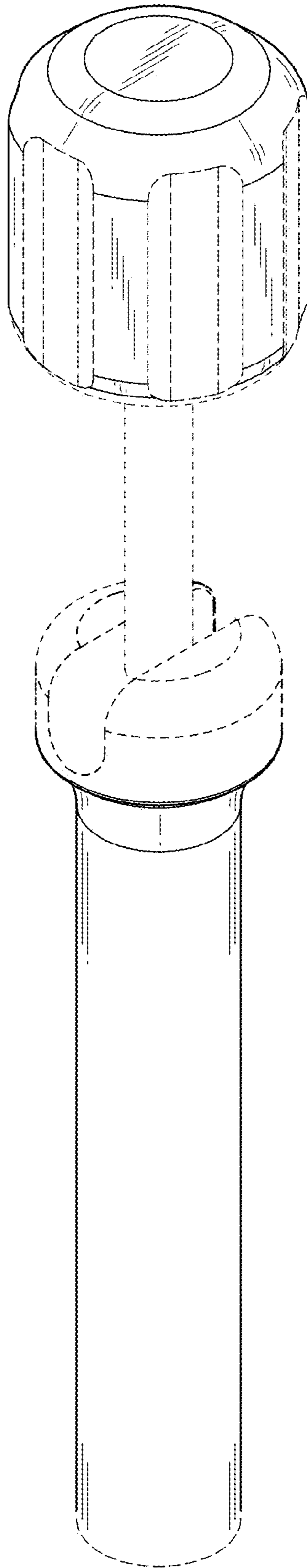


FIG. 5