



US00D968185S

(12) **United States Design Patent** (10) **Patent No.:** **US D968,185 S**  
**James** (45) **Date of Patent:** **\*\* Nov. 1, 2022**

(54) **AIR HAMMER**  
(71) Applicant: **VIS, LLC**, Travelers Rest, SC (US)  
(72) Inventor: **Chad James**, Tylertown, MS (US)  
(73) Assignee: **VIS, LLC**, Travelers Rest, SC (US)  
(\*\*) Term: **15 Years**

8,240,394 B2 \* 8/2012 Kobayashi ..... B25D 9/18  
173/162.1  
D703,020 S \* 4/2014 Zhu ..... D8/68  
D775,505 S \* 1/2017 Koeniger ..... D8/68  
9,844,867 B2 \* 12/2017 Hsieh ..... B25D 17/24  
D869,928 S \* 12/2019 Hsiao ..... D8/68  
10,792,798 B2 \* 10/2020 Liaw ..... B25D 9/16  
2010/0258609 A1 \* 10/2010 Lee ..... B25C 1/143  
89/1.14

(21) Appl. No.: **29/708,598**  
(22) Filed: **Oct. 8, 2019**  
(51) **LOC (13) Cl.** ..... **08-05**  
(52) **U.S. Cl.**  
USPC ..... **D8/68**  
(58) **Field of Classification Search**  
USPC ..... D8/61, 67, 68  
CPC .... B62D 23/005; B62D 29/00; B62D 29/043;  
B62D 31/00; B62D 33/046; B62D 35/00;  
B62D 35/001; B60Q 1/0005  
See application file for complete search history.

**OTHER PUBLICATIONS**

“Owner’s Manual. Craftsman Penumatic Air Hammer.” Craftsman., Jun. 12, 2009 [online], [retrieved on Feb. 4, 2022]. Retrieved from the Internet <URL: <https://fixcom.azureedge.net/assets/manuals/2FEAF502D79AA2EB8A760431700EA6E7974D9675.pdf>>.\*  
Alex Rennie. “The Best Air Hammers for Powering Through Your Metalworking Jobs.” Popular Mechanics., Jun. 11, 2021 [online], [retrieved on Feb. 4, 2022]. Retrieved from the Internet <URL: <https://www.popularmechanics.com/home/tools/g36653873/best-air-hammers/>>.\*

\* cited by examiner

*Primary Examiner* — Darlington Ly  
(74) *Attorney, Agent, or Firm* — Thrive IP

(56) **References Cited**

**U.S. PATENT DOCUMENTS**

2,960,067 A \* 11/1960 Osborne ..... B25C 1/041  
91/461  
5,417,294 A \* 5/1995 Suher ..... B25D 9/14  
173/15  
5,913,370 A \* 6/1999 Chapelle ..... B25B 21/00  
173/218  
6,161,628 A \* 12/2000 Liu ..... B25D 9/20  
173/206  
6,668,942 B1 \* 12/2003 Lin ..... B25D 17/24  
173/162.1  
D487,219 S \* 3/2004 Chudy ..... D8/68  
6,827,156 B1 \* 12/2004 Hsiao ..... B25D 17/245  
173/17  
D509,119 S \* 9/2005 Schiller ..... D8/68  
D608,176 S \* 1/2010 Heidelberger ..... D8/68  
D619,438 S \* 7/2010 Lee ..... D8/68

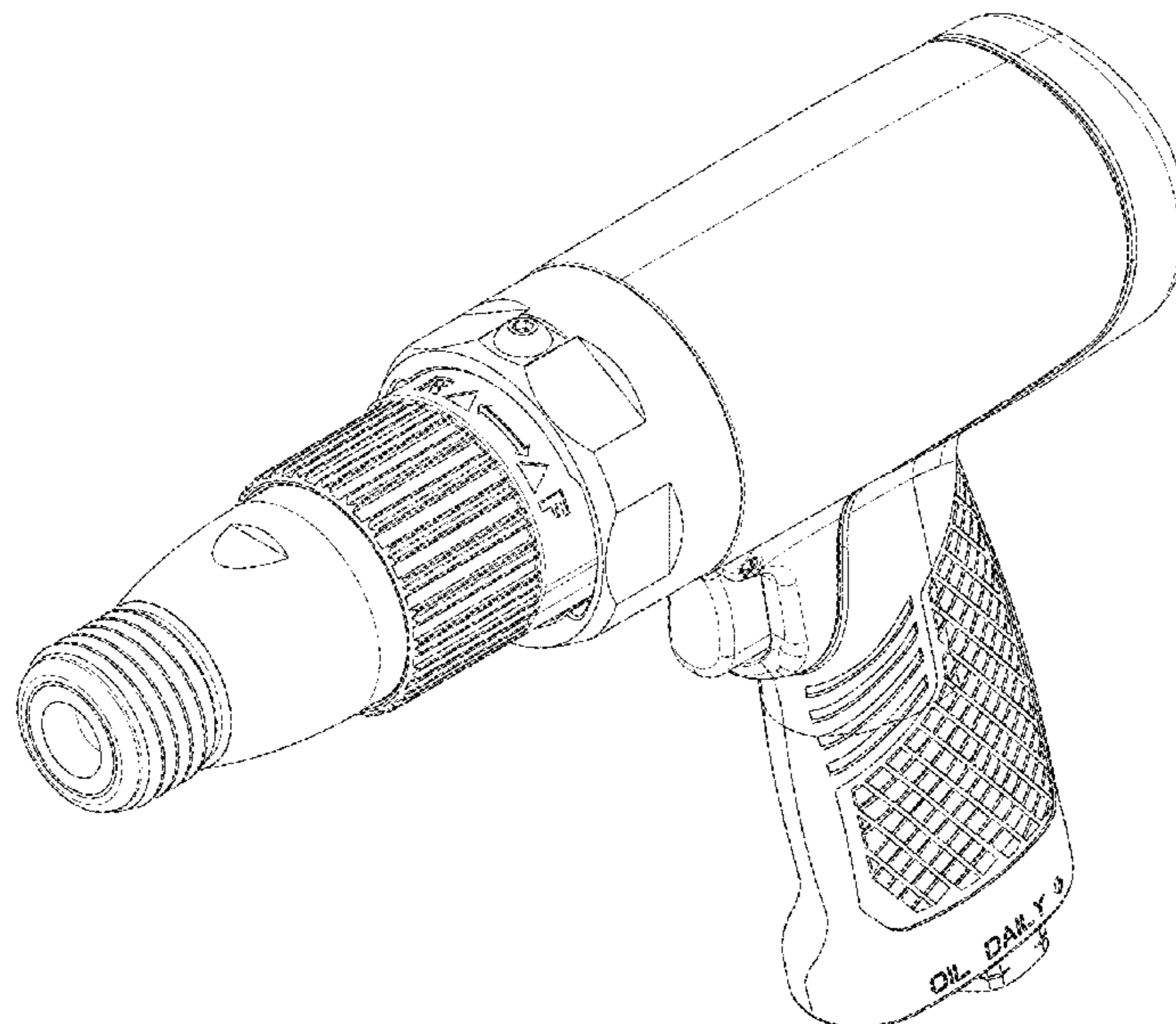
(57) **CLAIM**

The ornamental design for an air hammer, as shown and described.

**DESCRIPTION**

FIG. 1 a front elevation view of an air hammer embodying my new design;  
FIG. 2 is a rear elevation view thereof;  
FIG. 3 is a left side elevation view thereof;  
FIG. 4 is a right side elevation view thereof;  
FIG. 5 is a top plan view thereof;  
FIG. 6 is a bottom plan view thereof; and,  
FIG. 7 is a front and left side perspective view thereof.

**1 Claim, 6 Drawing Sheets**



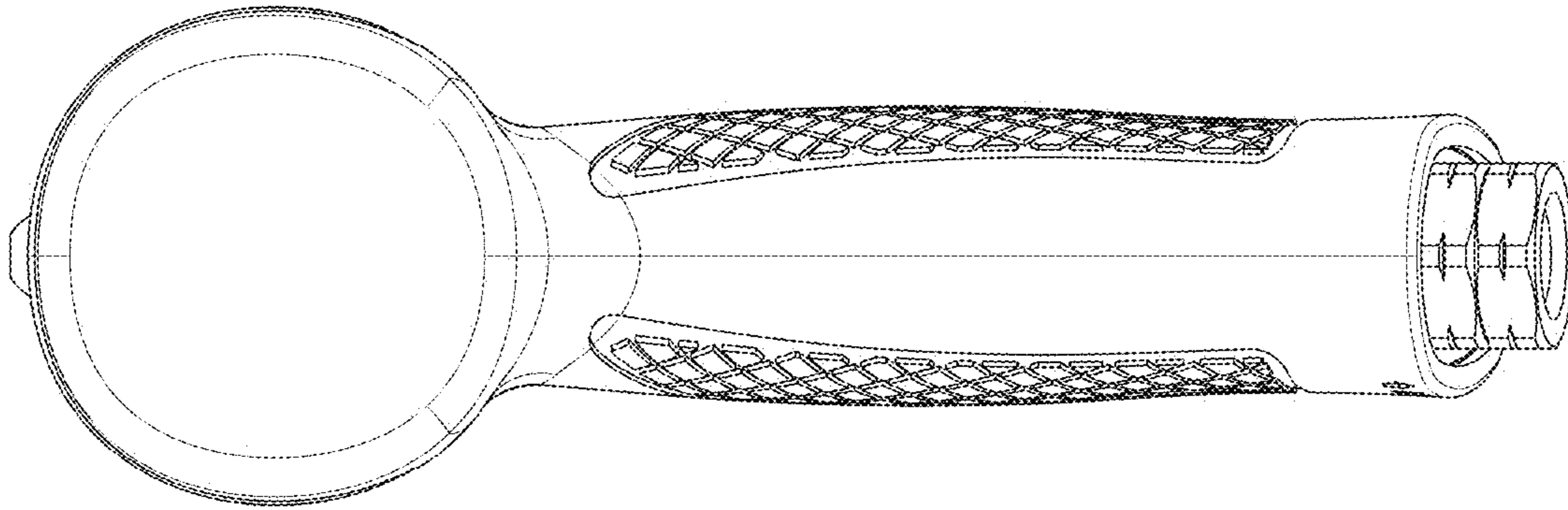


FIGURE 2

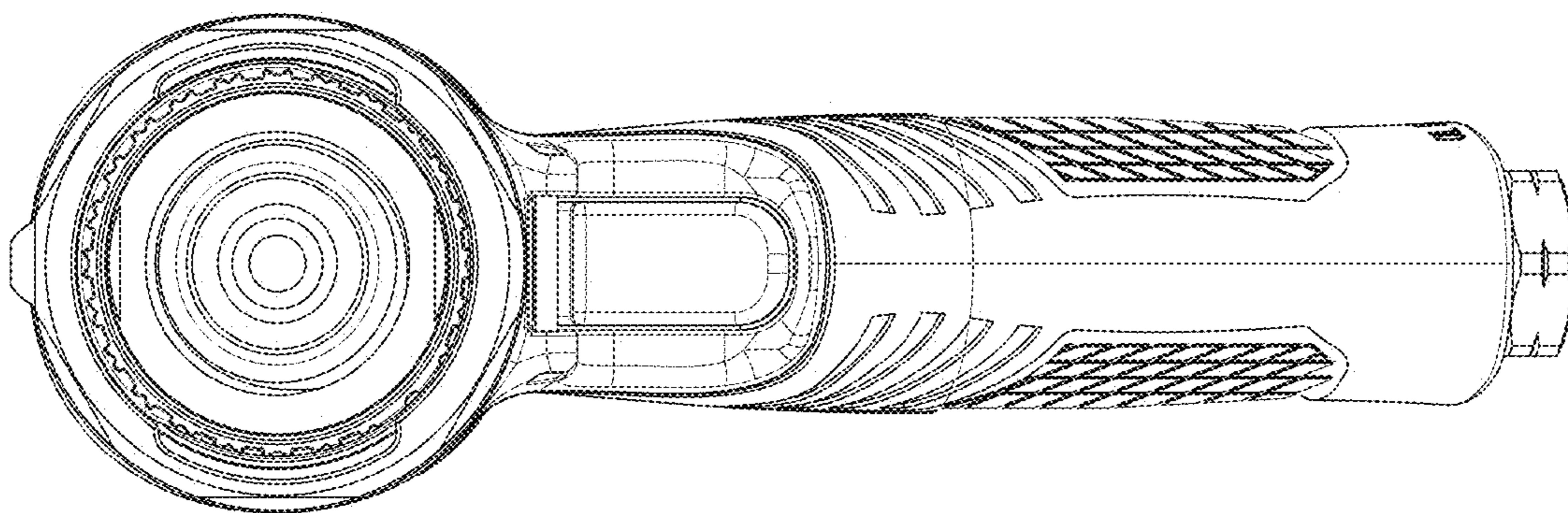


FIGURE 1

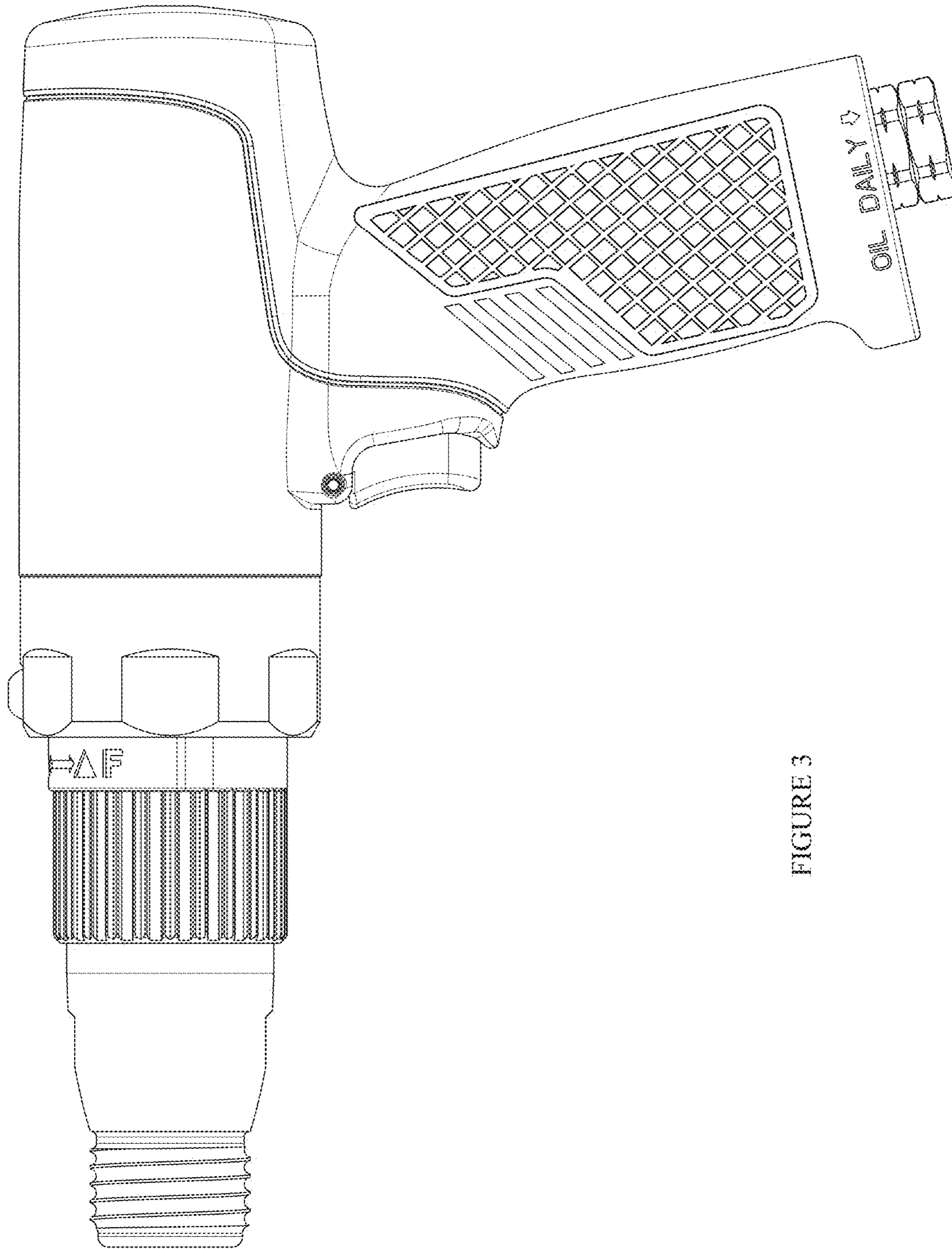


FIGURE 3

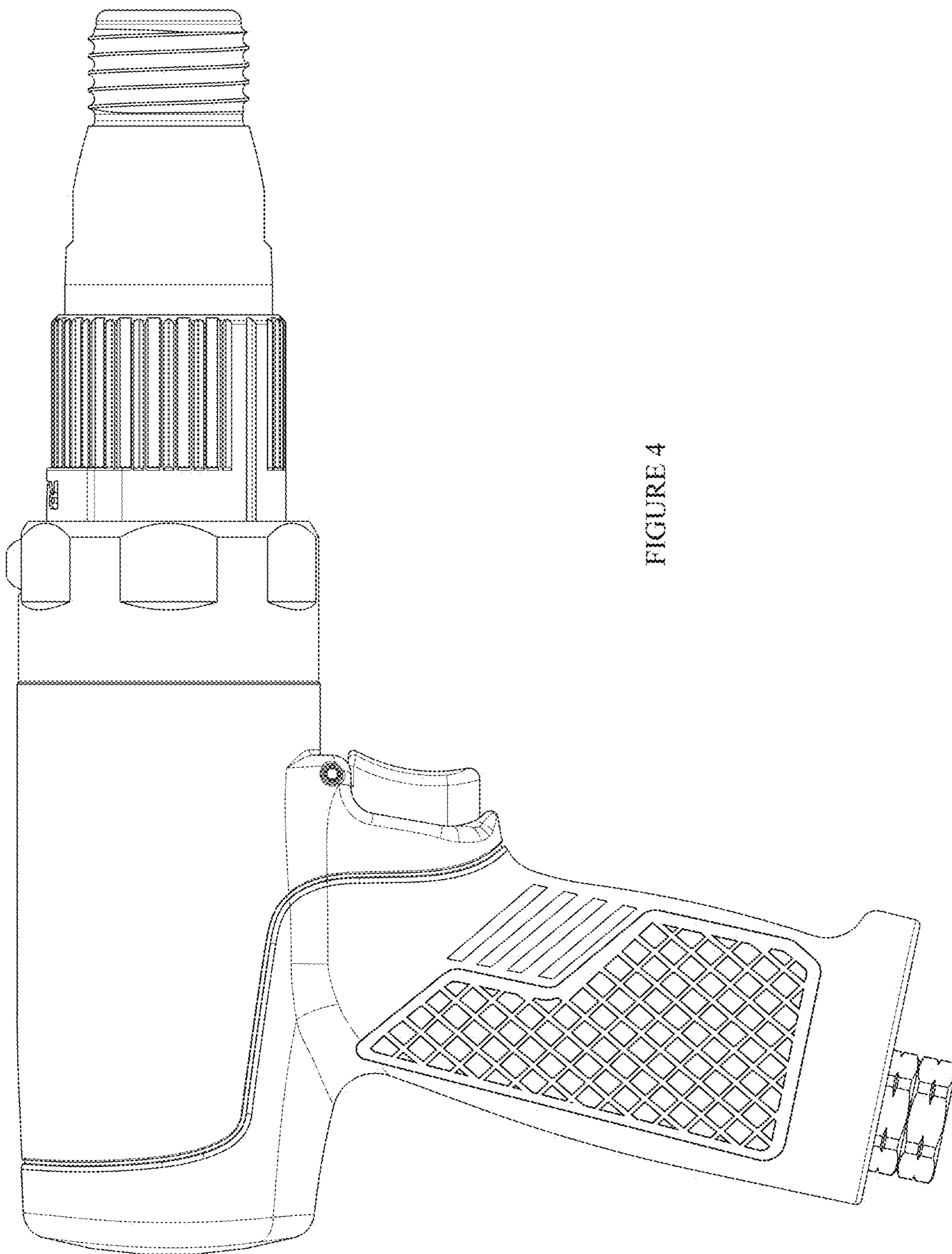
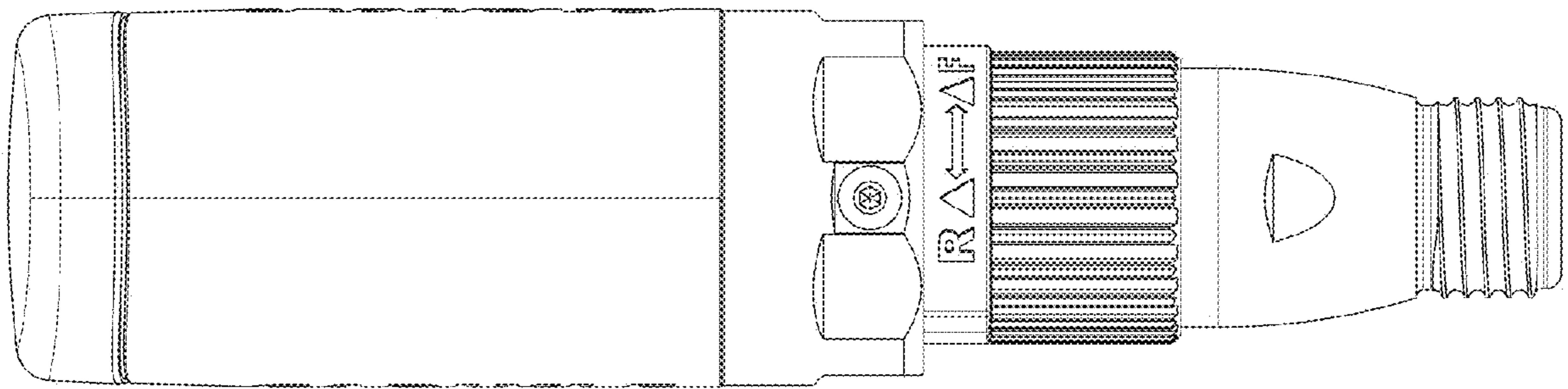


FIGURE 4

FIGURE 5



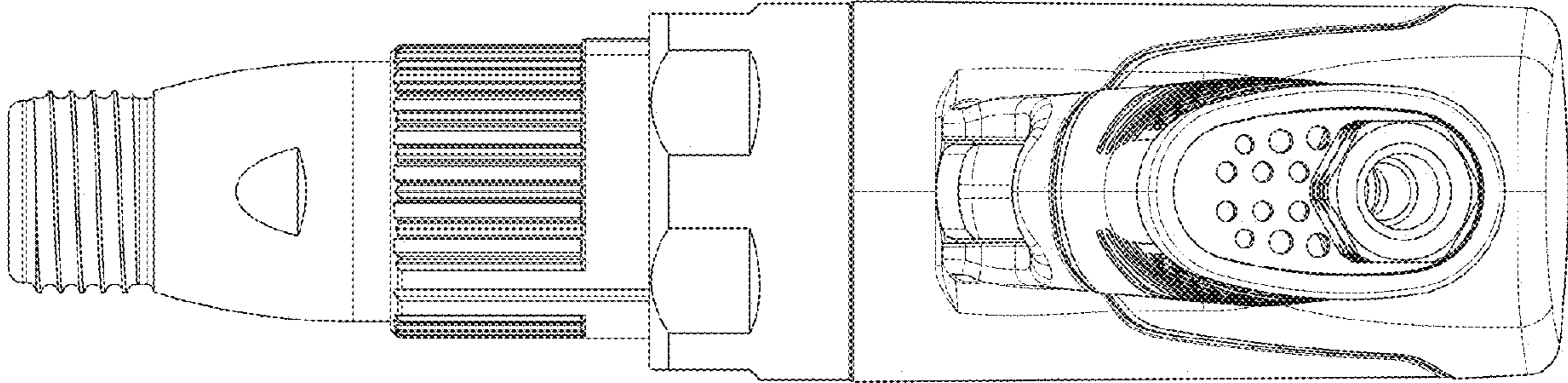


FIGURE 6

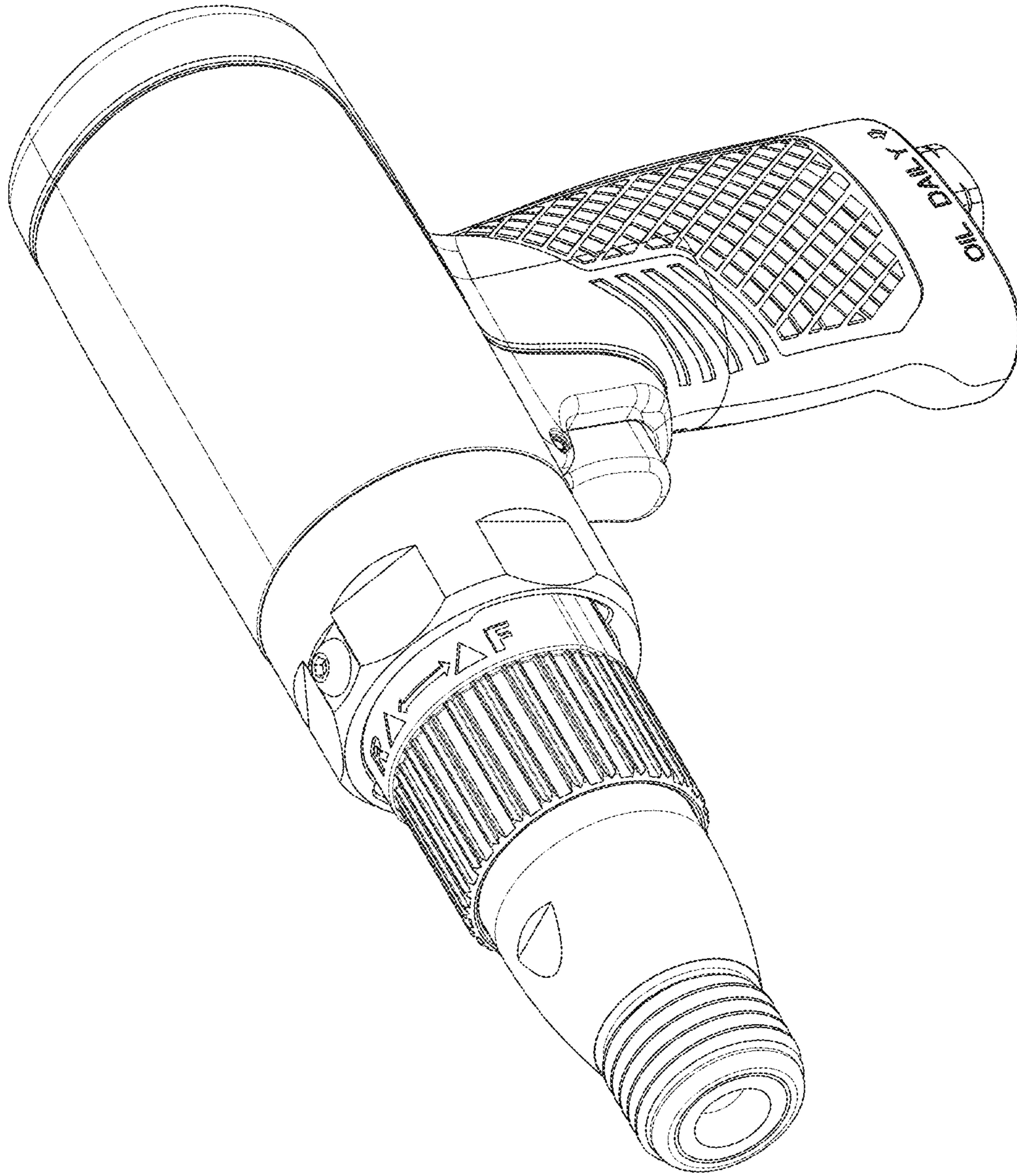


FIGURE 7