



US00D968180S

(12) **United States Design Patent** (10) **Patent No.:** **US D968,180 S**
Lyytikäinen et al. (45) **Date of Patent:** **** Nov. 1, 2022**

(54) **GARDENING TOOL**

(71) Applicant: **Fiskars Finland Oy Ab**, Helsinki (FI)

(72) Inventors: **Sami Lyytikäinen**, Helsinki (FI);
Mikko Kemppe, Helsinki (FI)

(73) Assignee: **FISKARS FINLAND OY AB**, Helsinki (FI)

(**) Term: **15 Years**

(21) Appl. No.: **29/765,142**

(22) Filed: **Jan. 6, 2021**

Related U.S. Application Data

(62) Division of application No. 29/653,701, filed on Jun. 18, 2018, now Pat. No. Des. 921,471.

(30) **Foreign Application Priority Data**

Dec. 22, 2017 (EM) 004561637

(51) **LOC (13) Cl.** **08-01**

(52) **U.S. Cl.**
USPC **D8/13**

(58) **Field of Classification Search**

USPC D8/1, 11, 13; D21/532
CPC A01B 1/00; A01B 1/06; A01B 1/10; A01B 1/12; A01B 1/14; A01B 1/16; A01B 1/20; A01B 1/22; A01B 1/227; A01B 1/222; A01B 1/225; A01B 1/026; A01B 1/02; B25G 1/102; Y10T 16/476; Y10T 16/4713; Y10S 16/19; A01D 7/00; A01D 7/02;

(Continued)

(56) **References Cited**

U.S. PATENT DOCUMENTS

578,558 A * 3/1897 Fuller A01D 11/06
56/400.06
757,123 A * 4/1904 Kampfe A01D 7/10
56/400.05

(Continued)

FOREIGN PATENT DOCUMENTS

CN 3325449 * 10/2003
CN 306878928 * 10/2021

(Continued)

OTHER PUBLICATIONS

Studio17 Design is on Facebook, Review Date: Jul. 2, 2019, Image retrieved on: Apr. 5, 2022 <<https://m.facebook.com/studio17design/photos/a.317796596844/10156326891531845/?type=3&source=48>>.*

(Continued)

Primary Examiner — Sheryl Lane

Assistant Examiner — Ieisha N Price

(74) *Attorney, Agent, or Firm* — Leason Ellis LLP

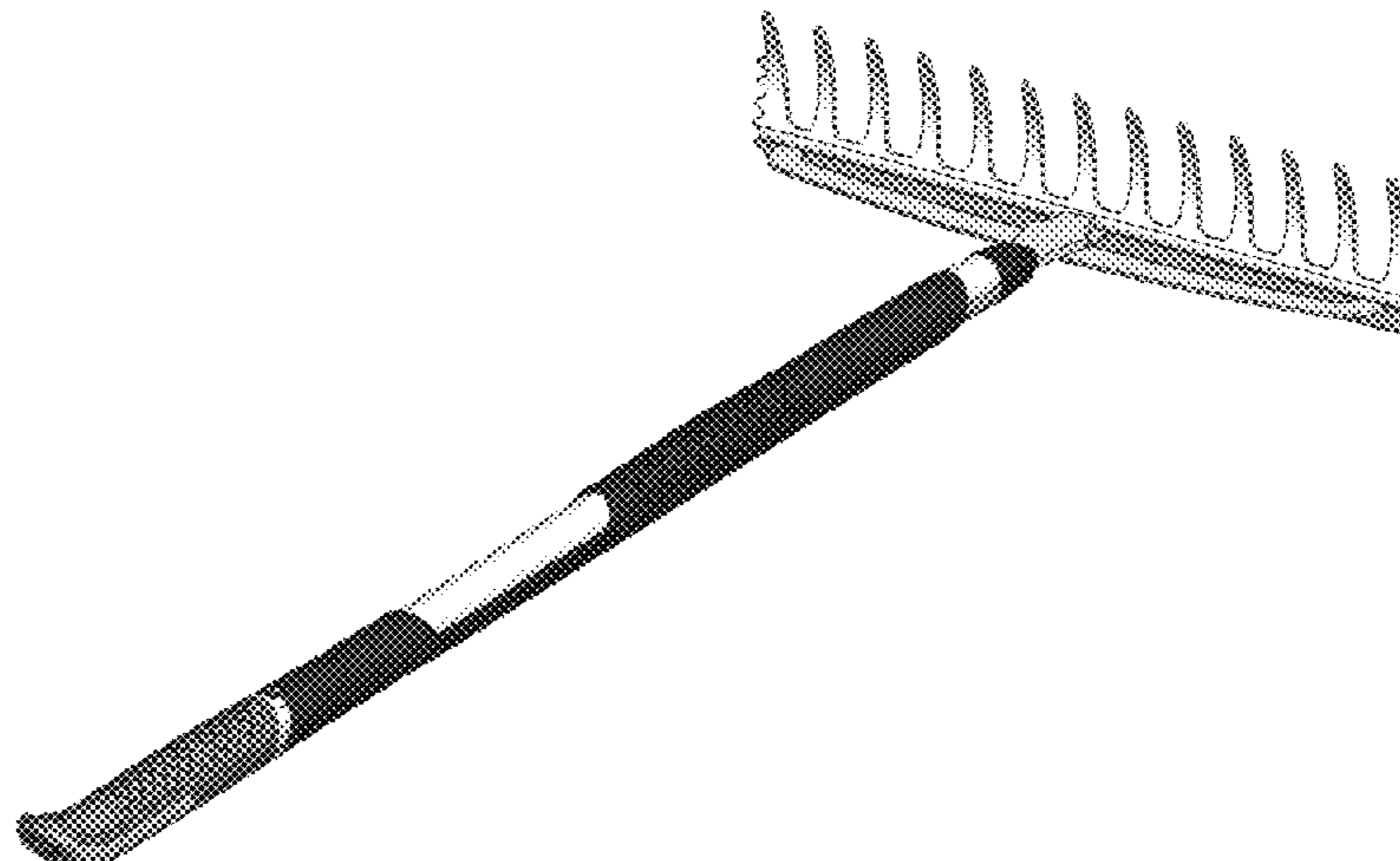
(57) **CLAIM**

The ornamental design for a gardening tool, as shown and described.

DESCRIPTION

FIG. 1 is a top perspective view of a gardening tool according to our new design, showing a first embodiment; FIG. 2 is a front view thereof; FIG. 3 is a rear view thereof; FIG. 4 is a left side view thereof; FIG. 5 is a right side view thereof; FIG. 6 is a bottom view thereof; FIG. 7 is a top view thereof; FIG. 8 is a top perspective view of a second embodiment; FIG. 9 is a front view thereof; FIG. 10 is a rear view thereof; FIG. 11 is a left side view thereof; FIG. 12 is a right side view thereof; FIG. 13 is a bottom view thereof; and, FIG. 14 is a top view thereof.

1 Claim, 10 Drawing Sheets



(58) **Field of Classification Search**
 CPC ... A01D 7/04; A01D 7/06; A01D 7/08; A01D 7/10
 See application file for complete search history.

(56) **References Cited**

U.S. PATENT DOCUMENTS

774,980 A * 11/1904 Cronk A01D 7/00
 56/400.01
 D133,489 S * 8/1942 Wurster D8/6
 2,726,504 A * 12/1955 Paluska A01D 7/02
 56/400.05
 2,795,923 A * 6/1957 Kapuczin A01D 7/02
 56/400.05
 3,234,720 A * 2/1966 Blodgett A01B 1/16
 56/400.05
 D230,247 S * 2/1974 Parry 172/375
 4,286,893 A * 9/1981 Pomares B25G 3/04
 403/301
 4,319,642 A 3/1982 Merz
 D281,387 S * 11/1985 Kolb D8/13
 D295,712 S 5/1988 Scott
 D298,725 S 11/1988 Sunila
 D305,496 S 1/1990 Jasperson
 D305,497 S 1/1990 Jasperson
 5,025,621 A * 6/1991 DeMarco A01G 3/02
 56/400.05
 D339,039 S 9/1993 Concari
 D342,426 S 12/1993 Concari
 D354,661 S 1/1995 Linden
 D360,343 S 7/1995 Concari
 D375,236 S 11/1996 Spear
 D376,301 S * 12/1996 Yates D8/13
 D456,676 S 5/2002 Sunila
 D500,943 S * 1/2005 Orozco D8/13
 D501,765 S 2/2005 Tatic
 D508,639 S * 8/2005 Long D8/13
 D541,119 S 4/2007 Jost
 D563,742 S 3/2008 Baker
 D592,023 S * 5/2009 Herrle D8/13
 D600,984 S 9/2009 Wong
 D604,126 S 11/2009 Boies
 D611,316 S 3/2010 Boies
 D625,571 S 10/2010 Frenkel
 D640,103 S * 6/2011 Paolini D8/13
 D640,104 S * 6/2011 Paolini D8/13

D642,440 S 8/2011 Boda
 D653,091 S 1/2012 Hua
 D670,150 S 11/2012 Angel
 D675,075 S 1/2013 Paloheimo
 D676,725 S 2/2013 Meiller
 D678,013 S 3/2013 Hua
 D678,014 S 3/2013 Hua
 D678,738 S 3/2013 Hua
 D684,441 S 6/2013 Baker
 D704,025 S 5/2014 Tronconi
 D710,665 S 8/2014 Boies
 D711,204 S 8/2014 Masalin
 D719,420 S 12/2014 Masalin
 D725,446 S * 3/2015 Zupan D8/13
 D725,447 S 3/2015 Gonzalez
 D807,717 S 1/2018 Tia
 D813,622 S 3/2018 Baker
 D825,312 S 8/2018 Buckley
 D850,872 S * 6/2019 Roberts D8/13
 D859,102 S 9/2019 Roberts
 D873,634 S 1/2020 Landreville
 D889,220 S * 7/2020 Amundson D8/13
 D905,517 S * 12/2020 Decker D8/13
 D921,471 S * 6/2021 Lyytikäinen D8/107
 D925,307 S * 7/2021 Decker D8/13
 2013/0146319 A1 * 6/2013 Truex A01B 1/20
 172/378
 2014/0060870 A1 * 3/2014 Scarpati A01B 1/20
 172/379
 2015/0230400 A1 8/2015 Tia
 2019/0045696 A1 2/2019 Schoeppner
 2019/0183025 A1 * 6/2019 Muncan A01B 1/20
 2020/0352090 A1 * 11/2020 Wilson A01D 11/06

FOREIGN PATENT DOCUMENTS

CN 307092503 * 2/2022
 GB 3002495 * 5/2002
 TW 195730-0001 * 2/2019

OTHER PUBLICATIONS

Xact Soil Rake M 370 mm, Image Post Date: Unknown, Image retrieved on: Apr. 5, 2022 <<https://www.fiskars.com/en-gb/gardening/products/rakes/xact-soil-rake-m-370-mm-1027039>>.*

* cited by examiner



FIG. 1

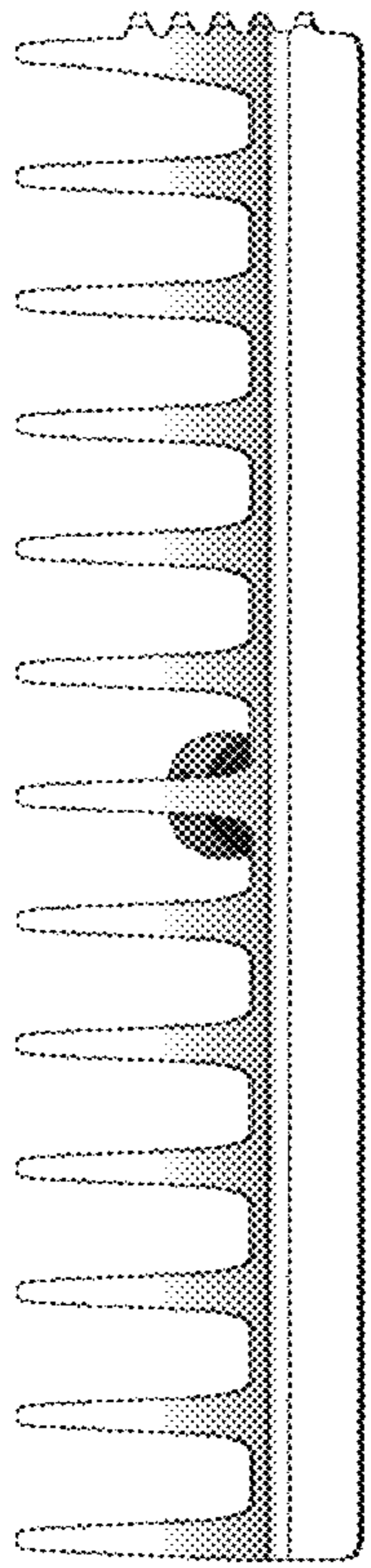


FIG. 2

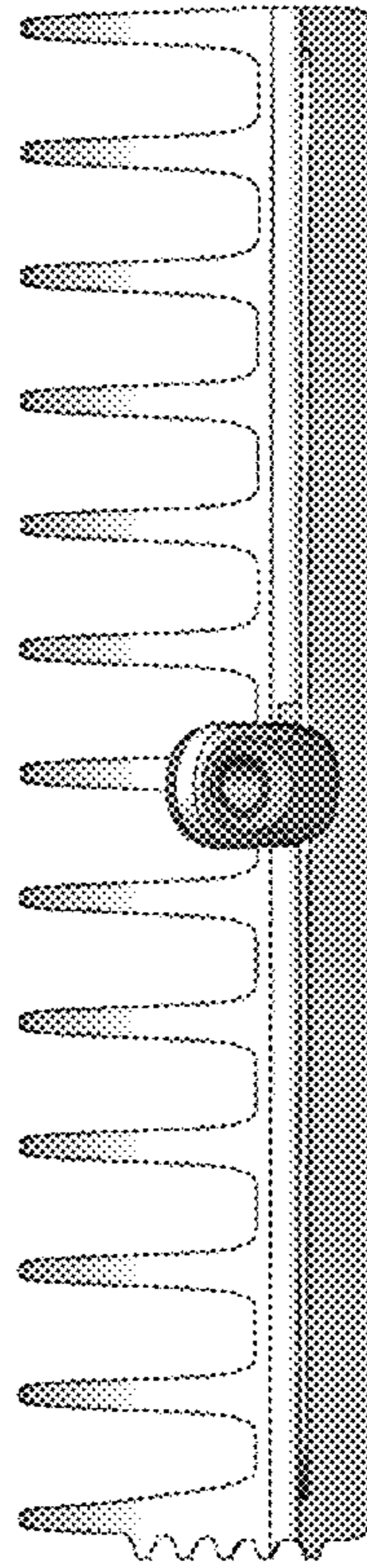


FIG. 3

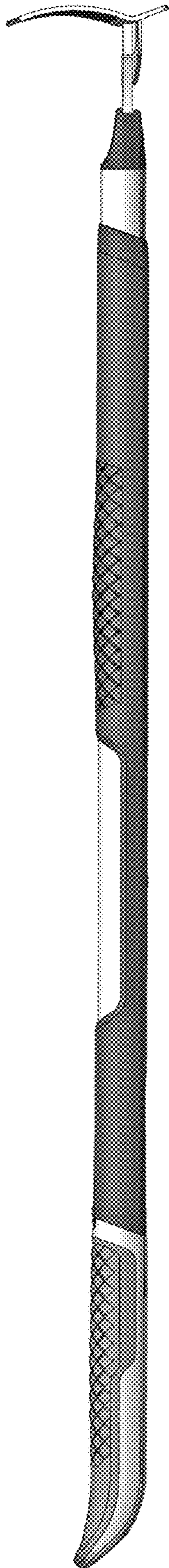


FIG. 4

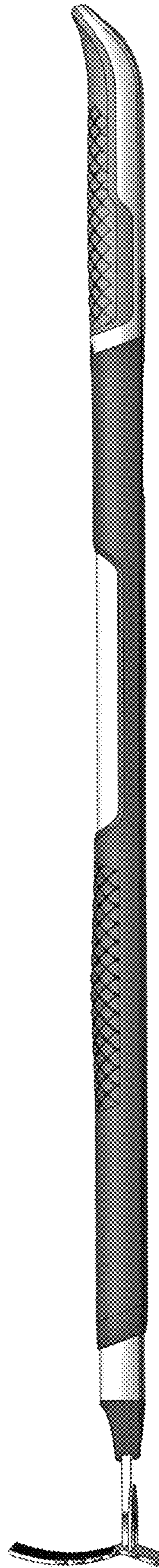


FIG. 5

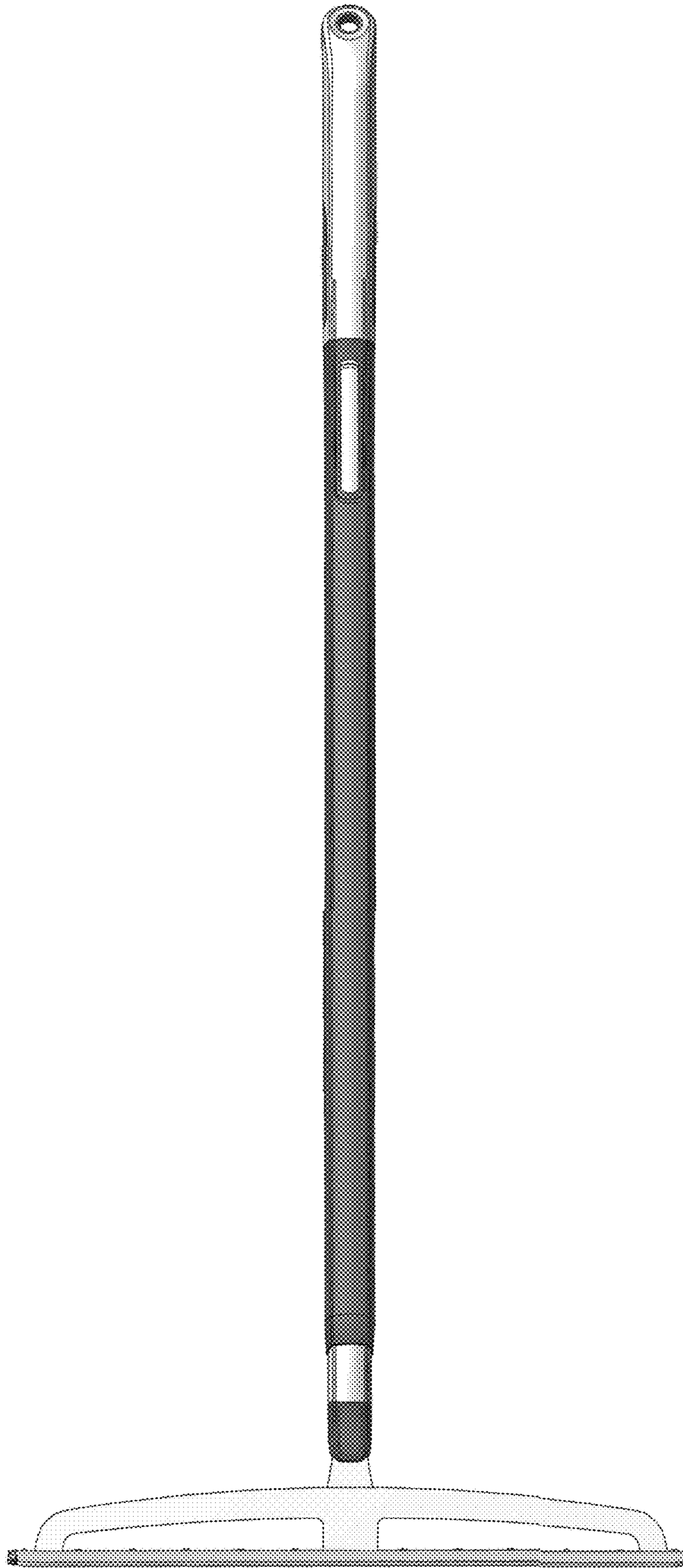


FIG. 6

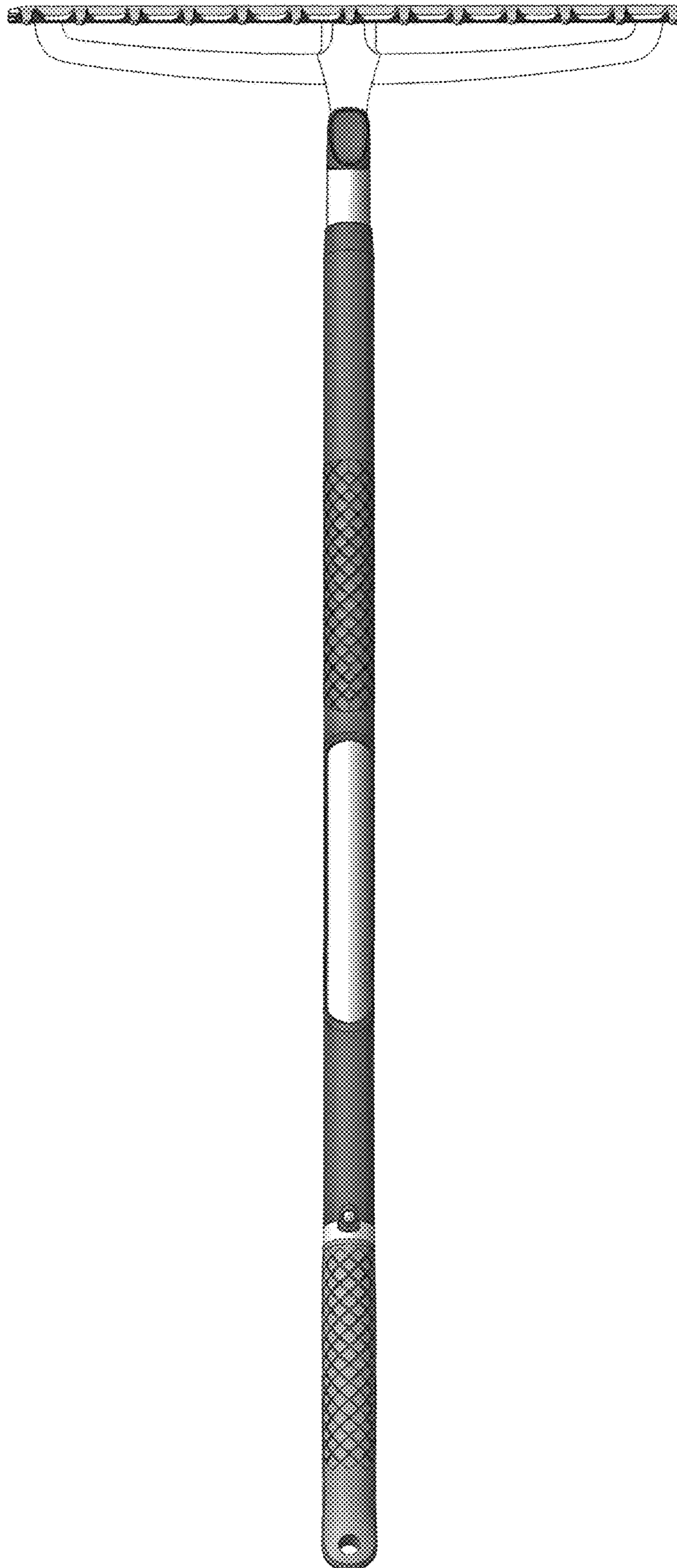


FIG. 7

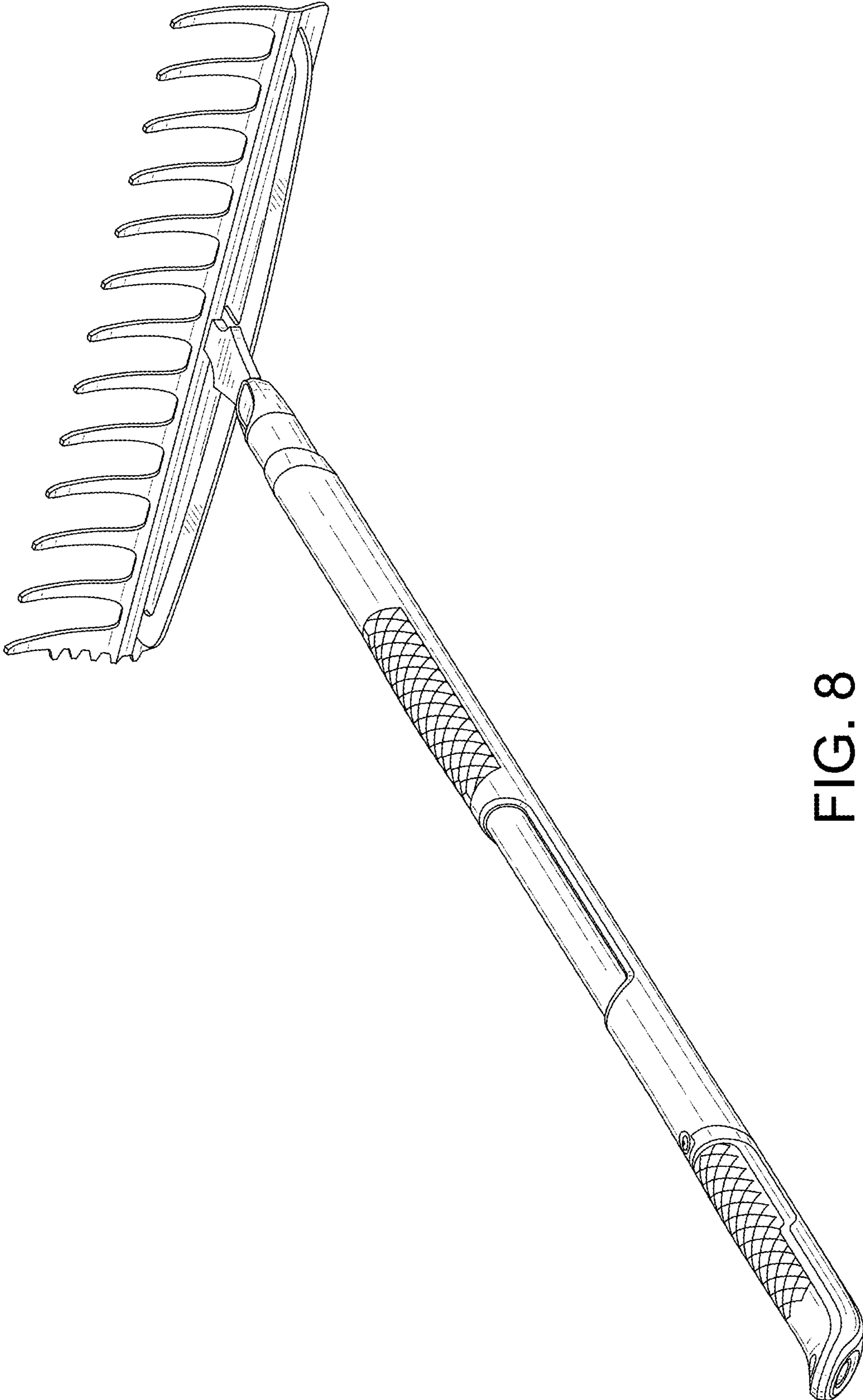


FIG. 8

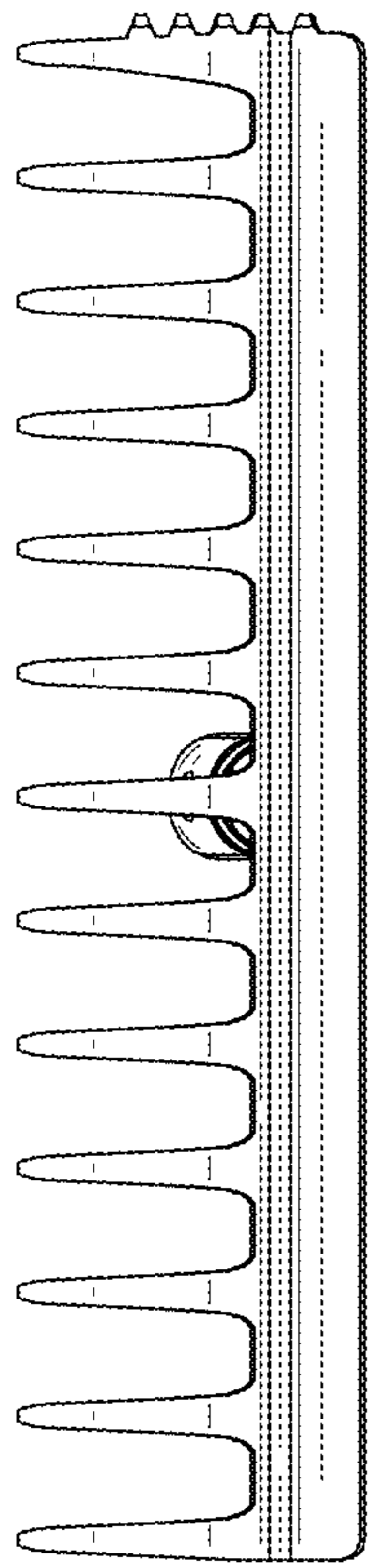


FIG. 9

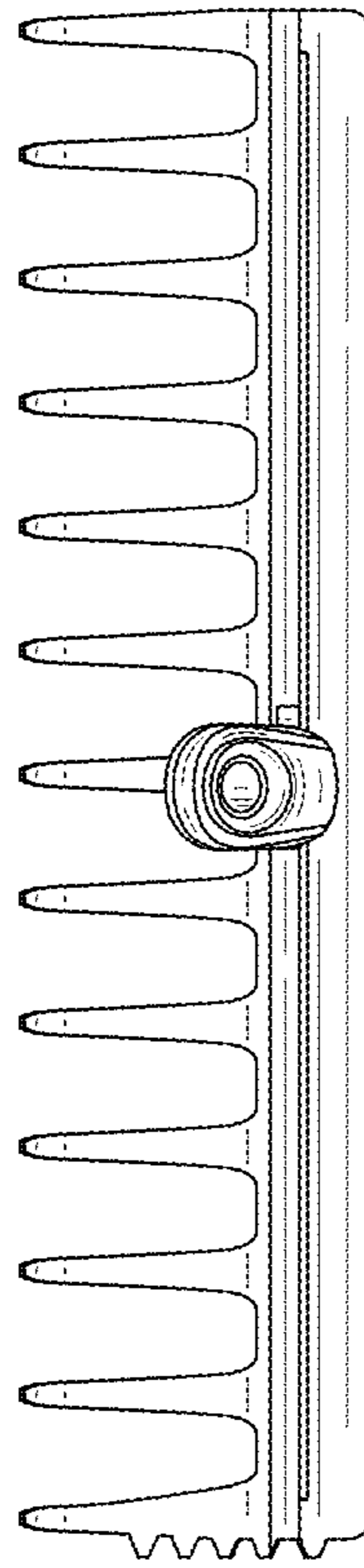


FIG. 10

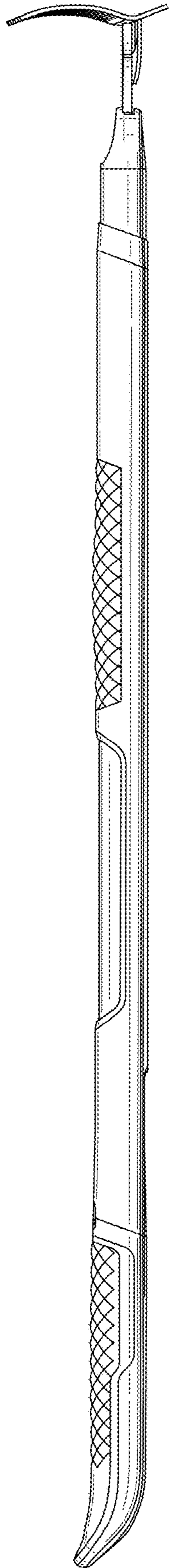


FIG. 11

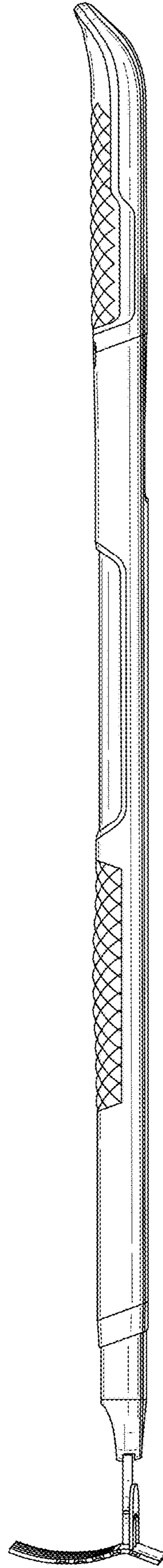


FIG. 12

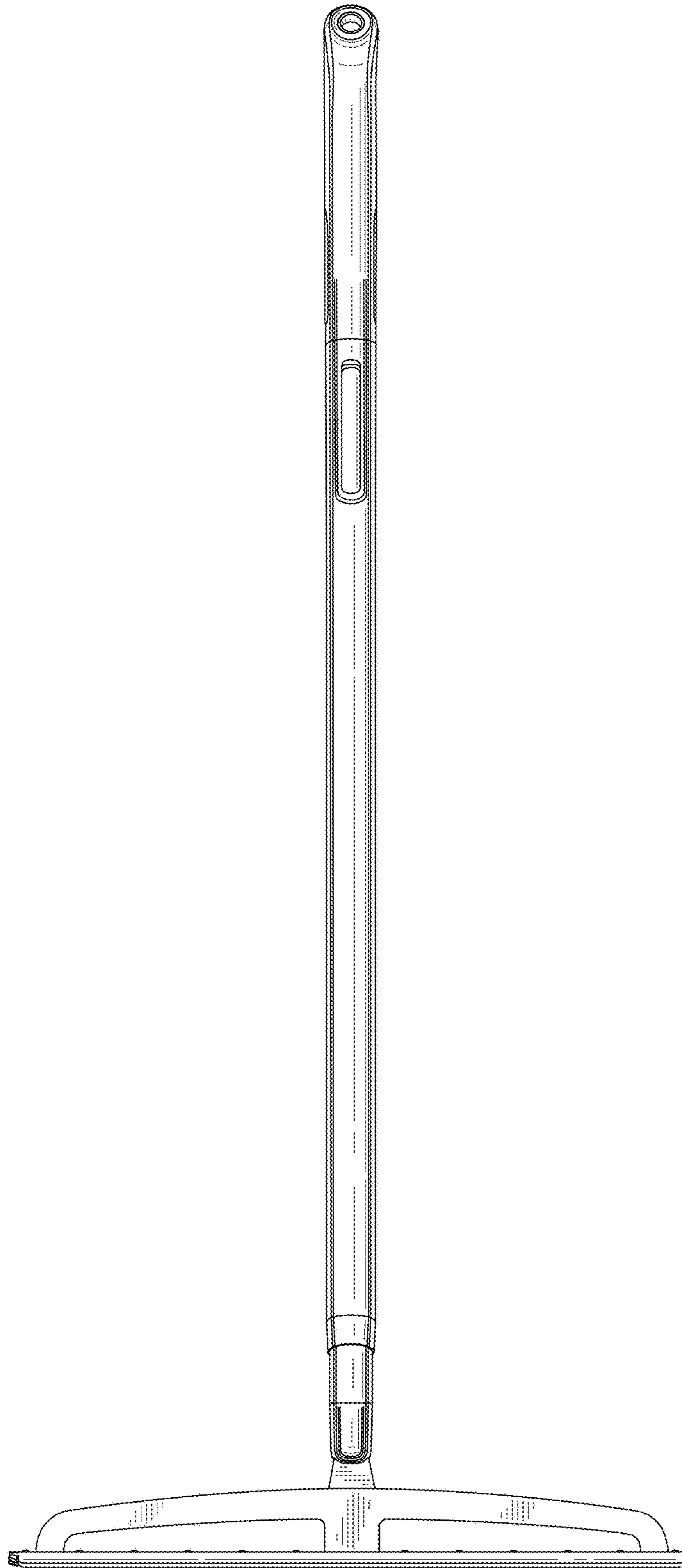


FIG. 13

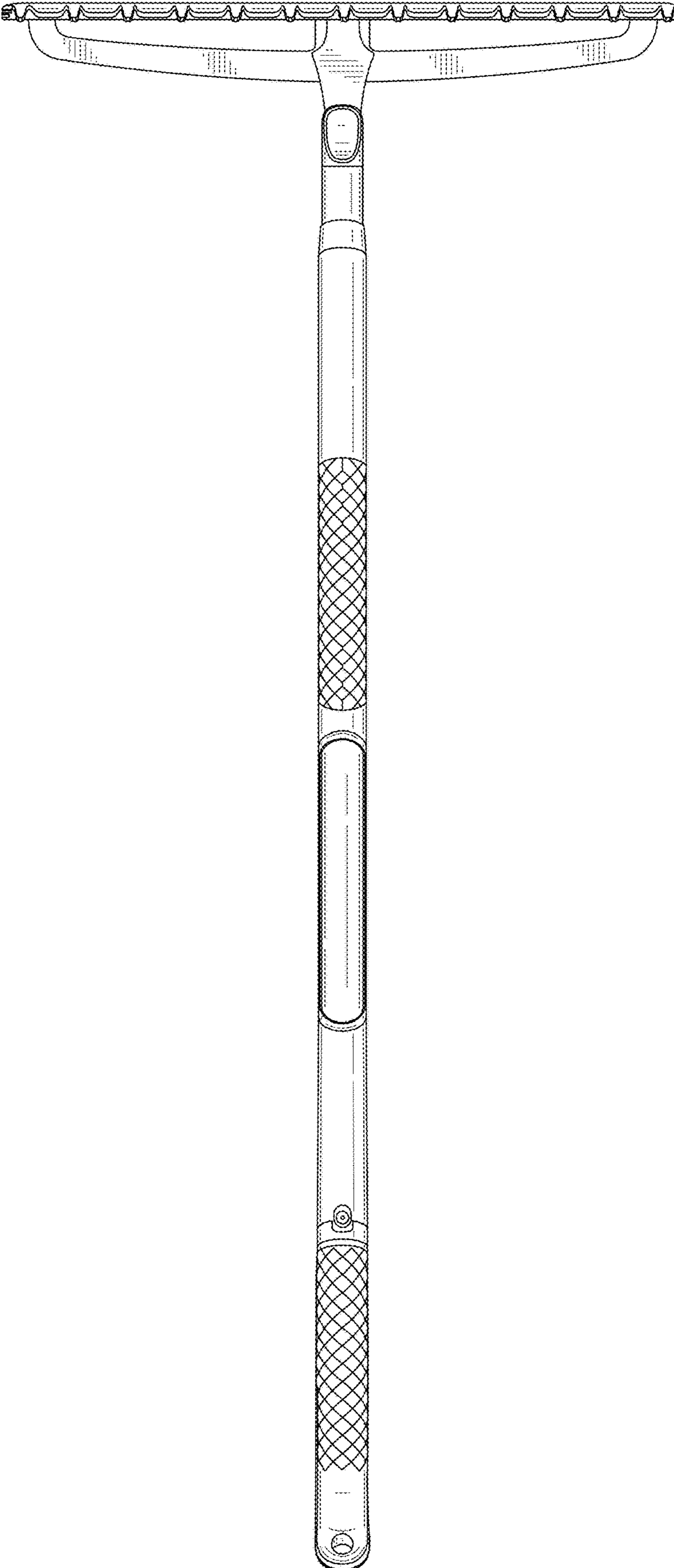


FIG. 14