

US00D968179S

(12) **United States Design Patent** (10) **Patent No.:** **US D968,179 S**
Ruiz (45) **Date of Patent:** **** Nov. 1, 2022**

(54) **MODULAR STRUCTURE FOR ANTI-PESTILENCE NETTING**
(71) Applicant: **Fidel Ruiz**, Paramount, CA (US)
(72) Inventor: **Fidel Ruiz**, Paramount, CA (US)
(**) Term: **15 Years**

6,618,988 B2 * 9/2003 Williams A01G 9/16
47/17
7,320,353 B1 1/2008 Miller
D654,353 S * 2/2012 Tabler A01G 9/16
D8/382
D785,995 S * 5/2017 Tsai D6/705.6
10,034,435 B2 7/2018 Helene
(Continued)

(21) Appl. No.: **29/687,516**
(22) Filed: **Apr. 12, 2019**
(51) **LOC (13) Cl.** **08-01**
(52) **U.S. Cl.**
USPC **D8/1**
(58) **Field of Classification Search**
USPC D8/1; D9/711, 713; D11/143, 149, 152,
D11/155, 164; D25/100, 48.8; D6/675.2
CPC .. A01G 13/04; A01G 13/043; A01G 13/0243;
A01G 13/0281; A01G 27/02; A47G 7/085
See application file for complete search history.

OTHER PUBLICATIONS

Lushome.com, Creative backyard ideas, undated blog post, retrieved Jun. 22, 2022 from <URL:https://www.lushome.com/creative-backyard-ideas-plastic-pipe-greenhouses-vertical-garden-designs/205549> (Year: 2022).*

(Continued)

Primary Examiner — Calvin E Vansant

(57) **CLAIM**

The ornamental design for a modular structure for anti-pestilence netting, as shown and described.

(56) **References Cited**

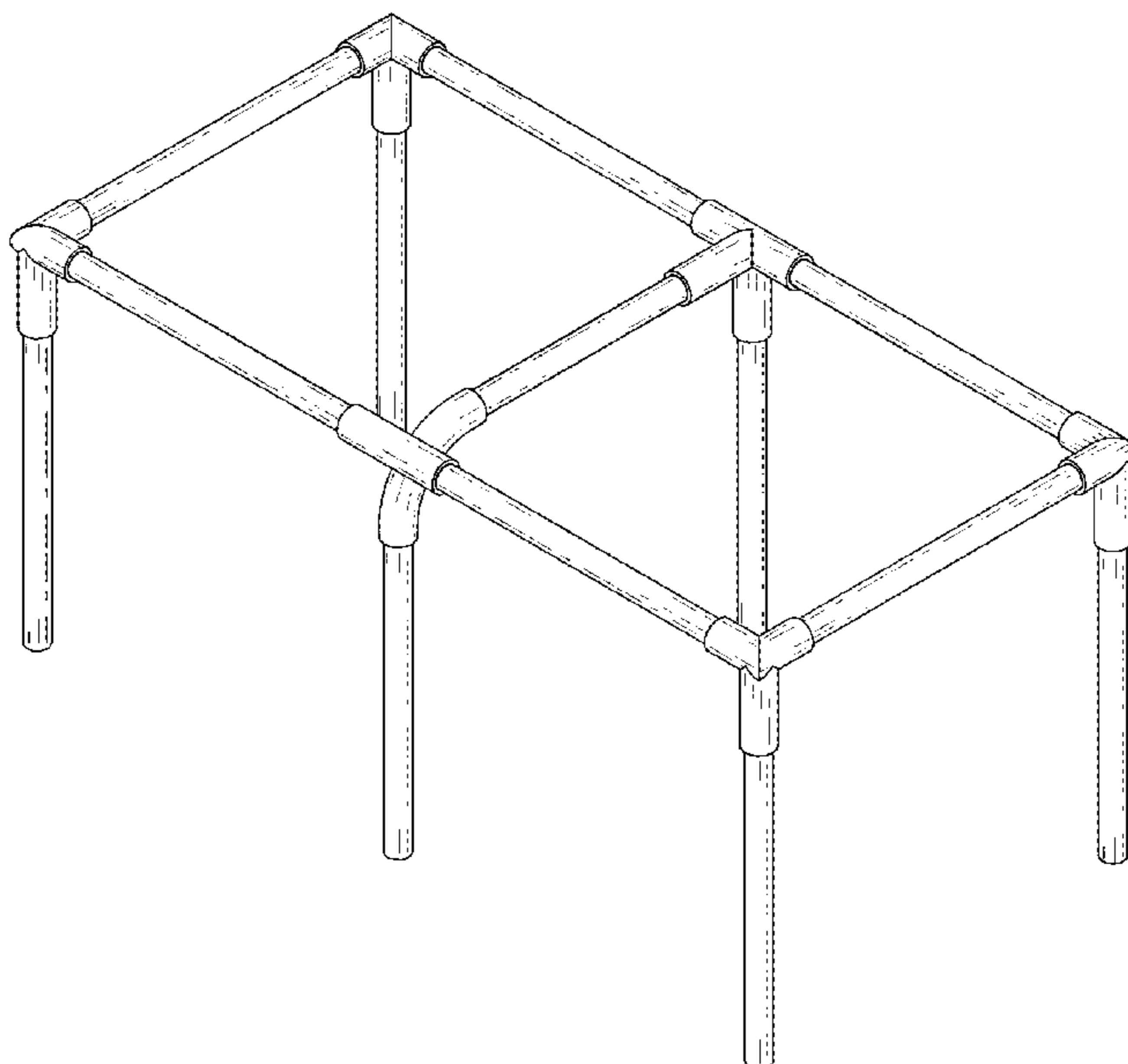
DESCRIPTION

U.S. PATENT DOCUMENTS

2,185,588	A	1/1940	Datz	
3,970,096	A	7/1976	Nicolai	
4,937,969	A	7/1990	Kawabe	
D331,601	S *	12/1992	Harrison	D19/34.2
5,479,744	A *	1/1996	Meyer	A01G 9/16 52/63
5,660,002	A *	8/1997	Lashinger	A01G 9/16 52/222
5,813,169	A	9/1998	Engerman	
D423,809	S *	5/2000	Lund	D34/1
6,098,335	A *	8/2000	Brown, Jr.	A01G 9/16 47/17
D430,431	S *	9/2000	Walter	A01G 9/16 D6/675.2
D443,733	S *	6/2001	Trahd-Morris	D30/118
6,345,638	B1	2/2002	Warner	
6,463,948	B2	10/2002	Lee	

FIG. 1 is a top front perspective view of a modular structure for anti-pestilence netting showing my new design; FIG. 2 is a bottom rear perspective view thereof; FIG. 3 is an exploded top front perspective view thereof; FIG. 4 is an enlarged front view thereof; FIG. 5 is an enlarged rear view thereof; FIG. 6 is an enlarged top view thereof; FIG. 7 is an enlarged bottom view thereof; FIG. 8 is an enlarged right-side view thereof; FIG. 9 is an enlarged left-side view thereof; and, FIG. 10 is another top front perspective view thereof. The broken lines in FIG. 10 are included for the purpose of illustrating environmental structure and form no part of the claimed design.

1 Claim, 10 Drawing Sheets



(56)

References Cited

U.S. PATENT DOCUMENTS

D842,012 S * 3/2019 Yang A01G 9/16
D6/675.2
10,660,276 B1 * 5/2020 Harris A01G 13/0206
D905,832 S * 12/2020 Gray D23/262
2007/0214714 A1 9/2007 Harnois
2013/0255146 A1 10/2013 Lehman
2016/0037940 A1 2/2016 Bertrand
2017/0145606 A1 5/2017 Toye

OTHER PUBLICATIONS

Net Houses, Retrieved from Internet, Retrieved on Dec. 19, 2017
<URL: <https://www.jains.com/>>.
The Net House, Retrieved from Internet, Retrieved on Dec. 19, 2017
<URL: <http://www.tradekorea.com/product/detail/P312503/The-Net-House.html>>.

* cited by examiner

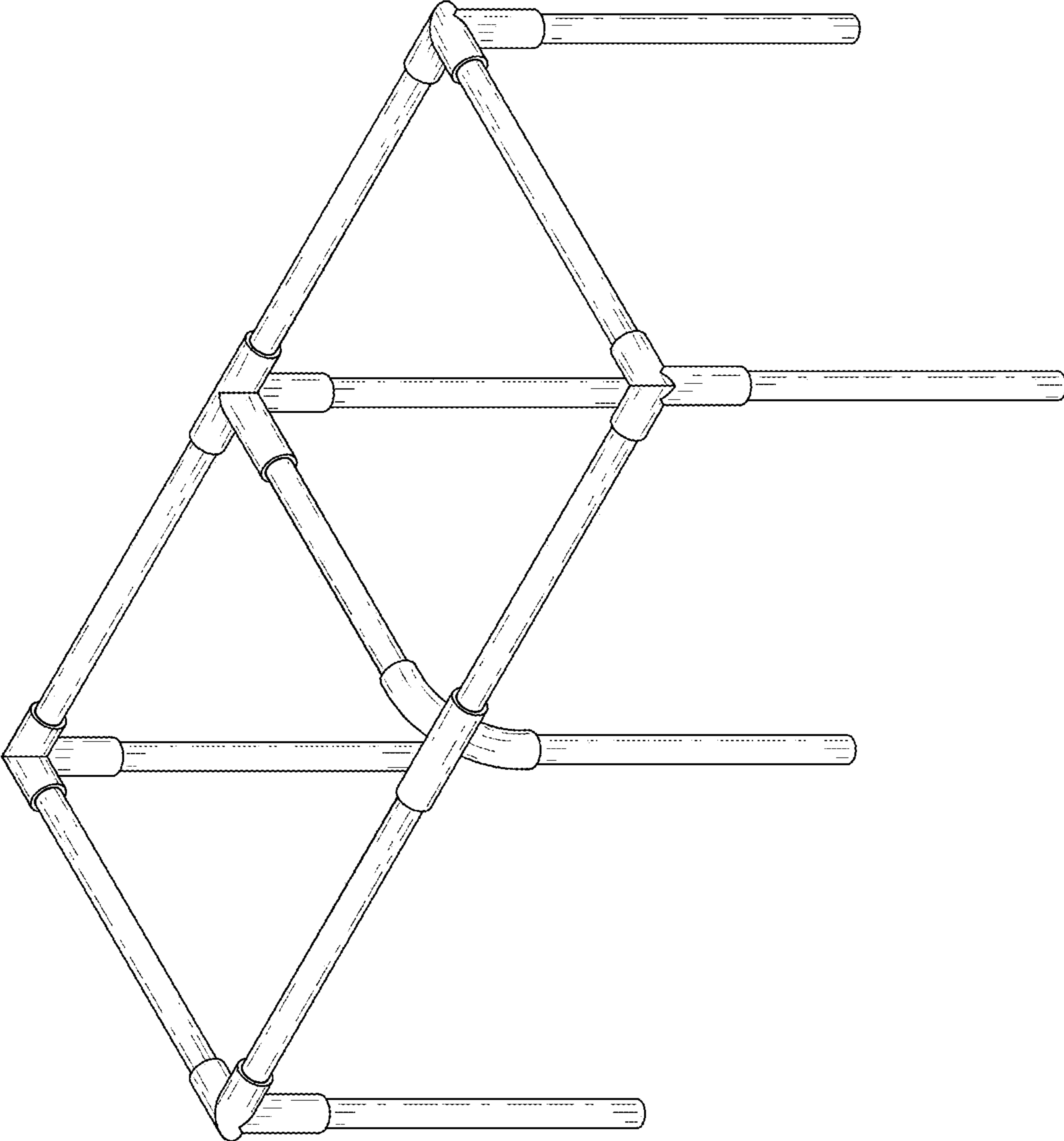


FIG 1

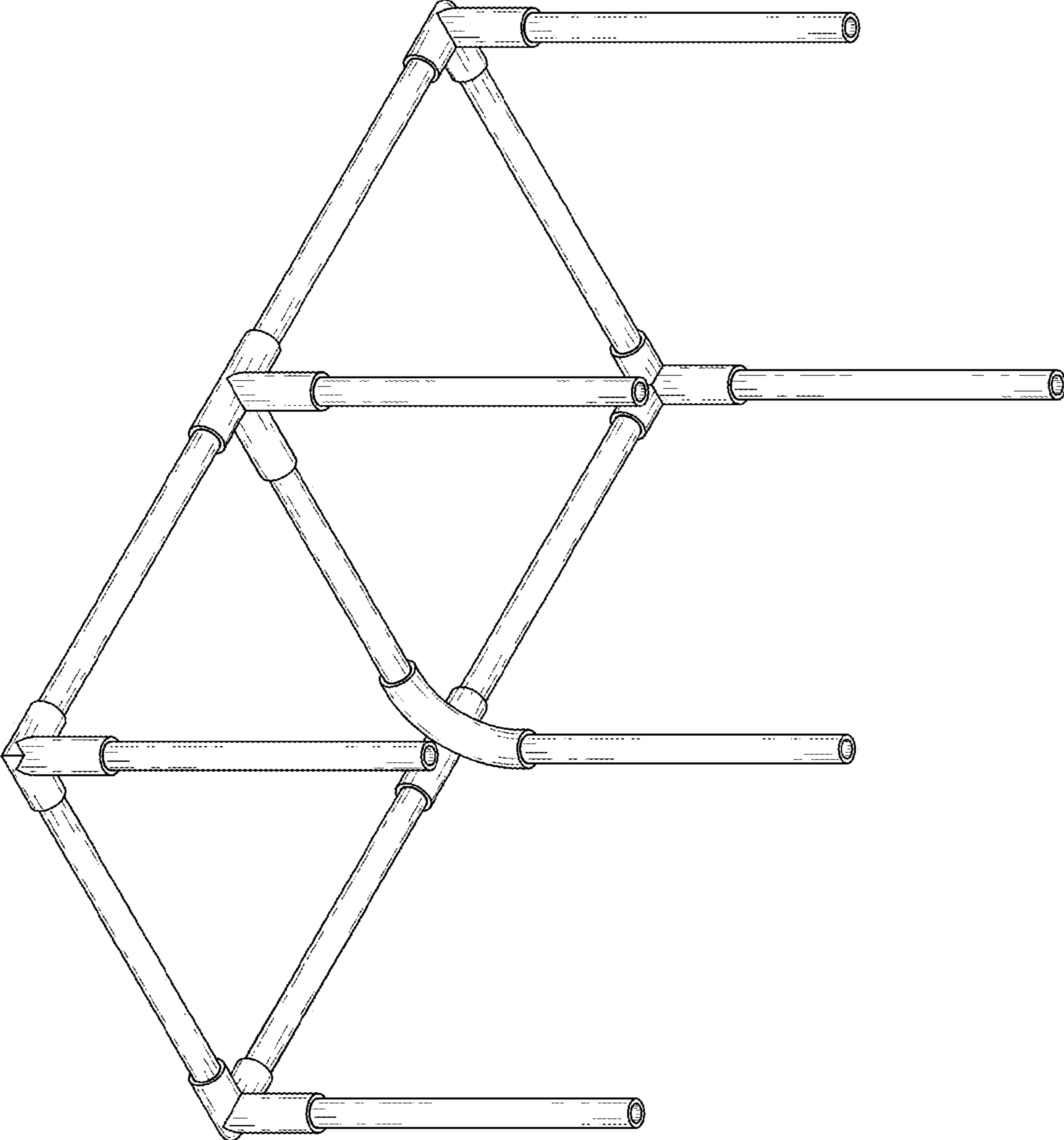


FIG 2

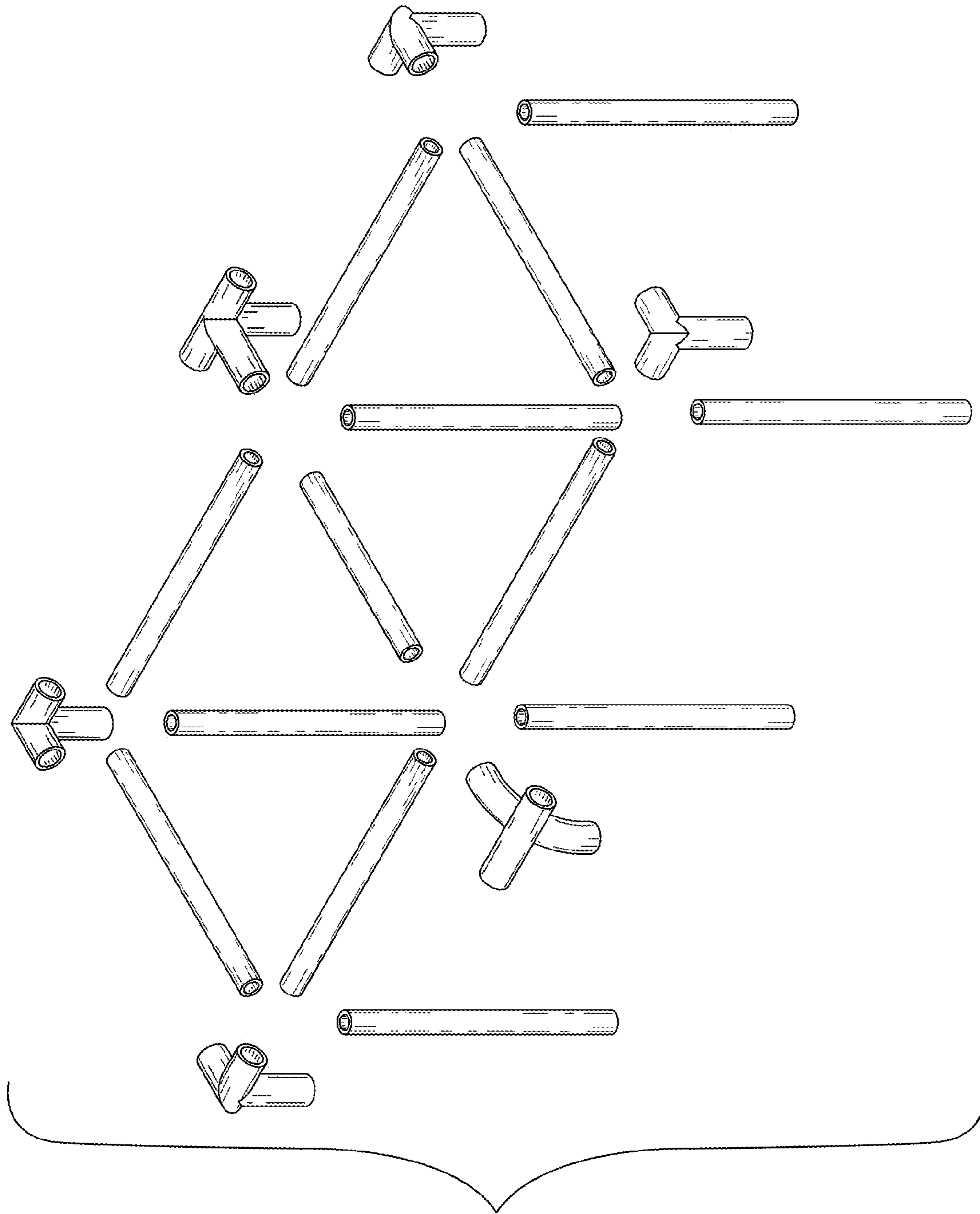


FIG 3

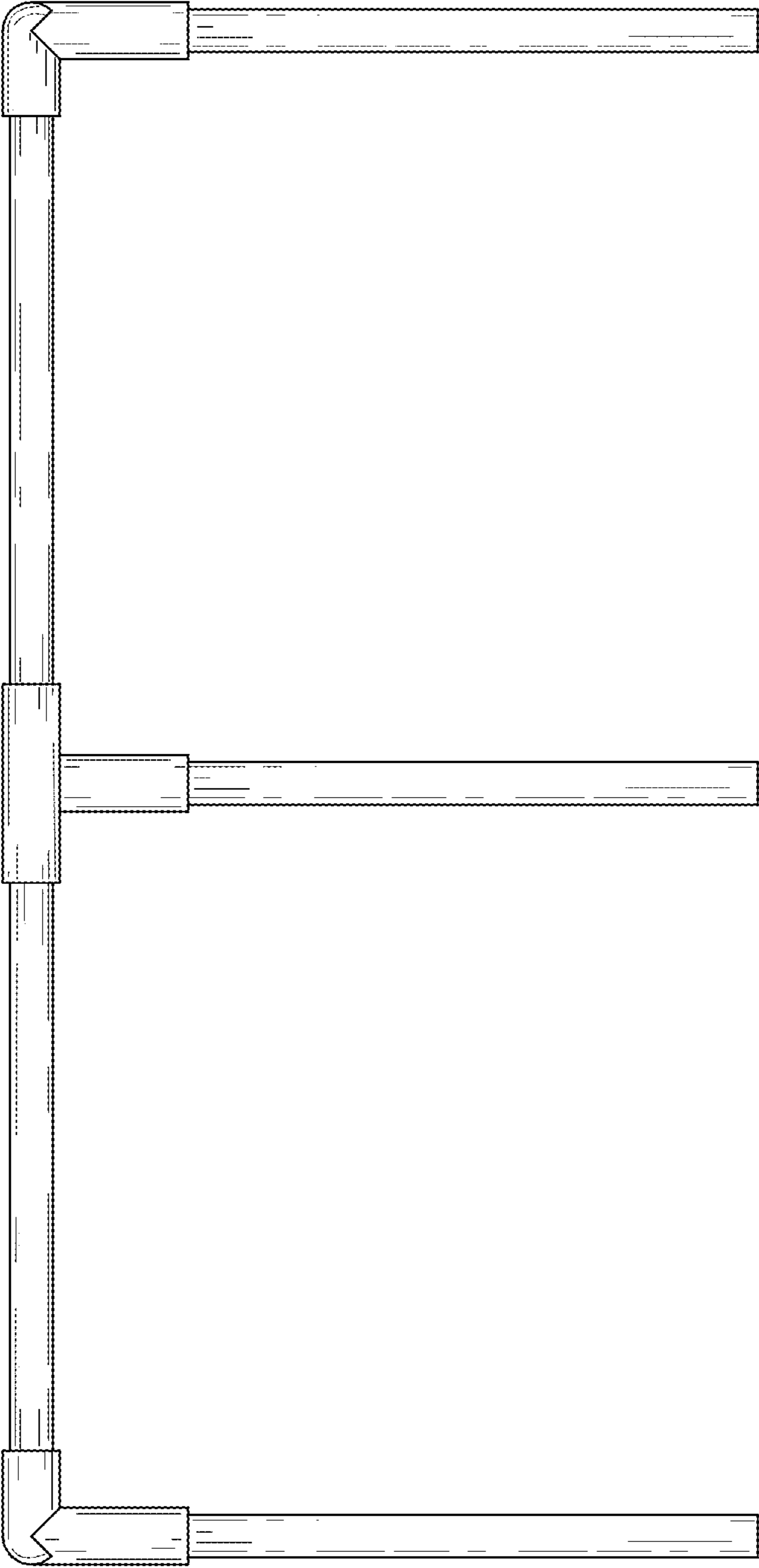


FIG 4

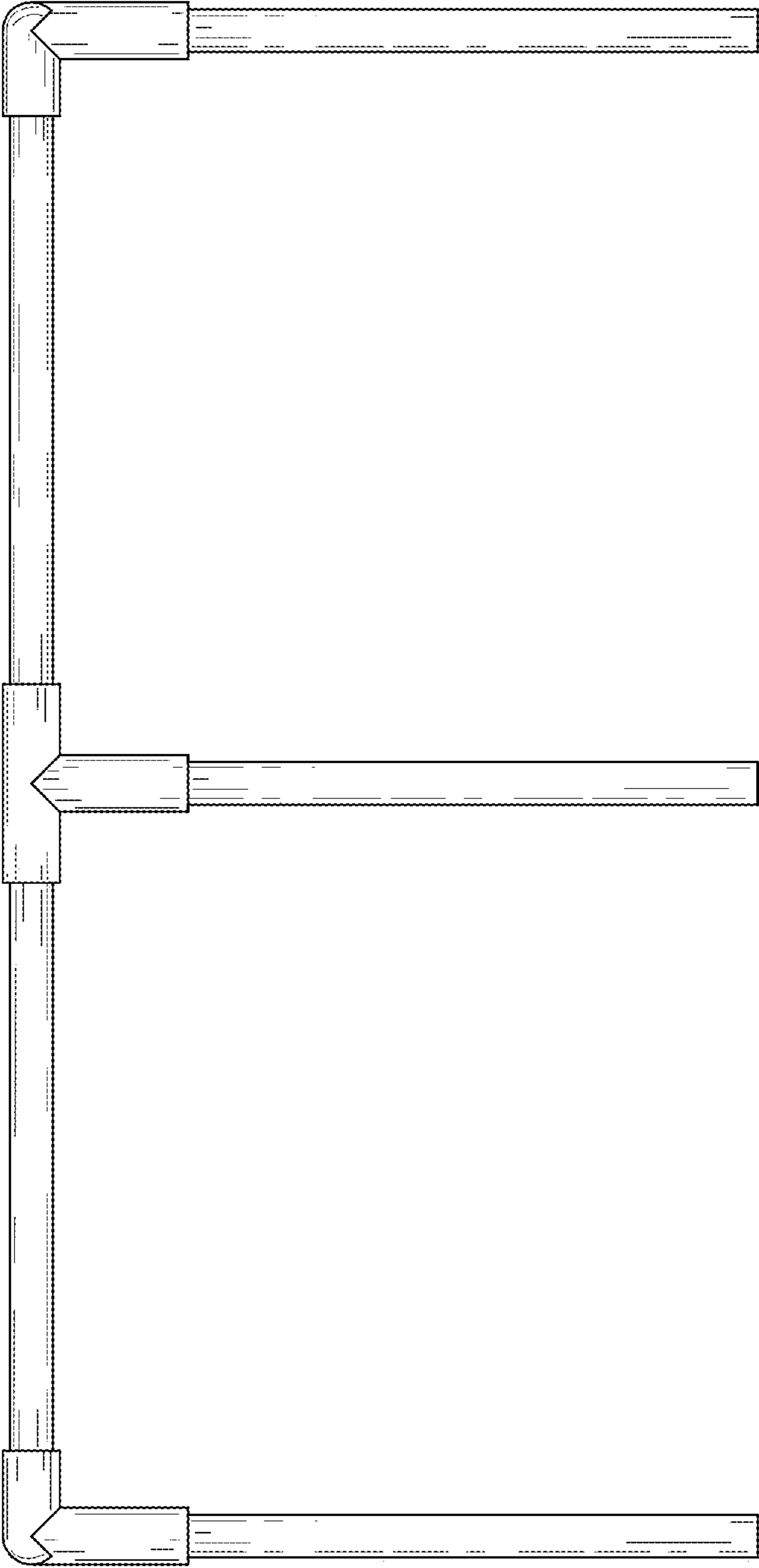


FIG 5

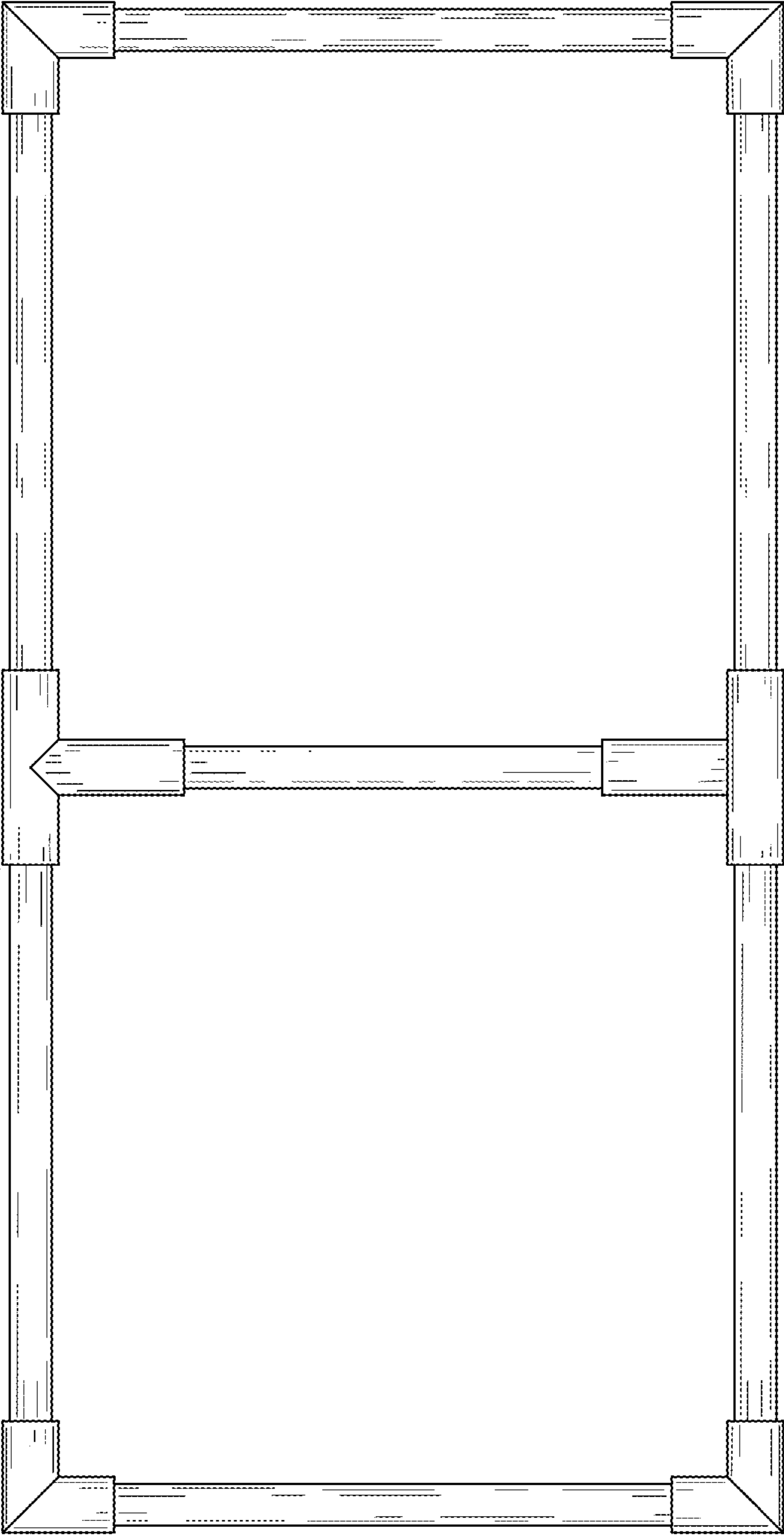


FIG 6

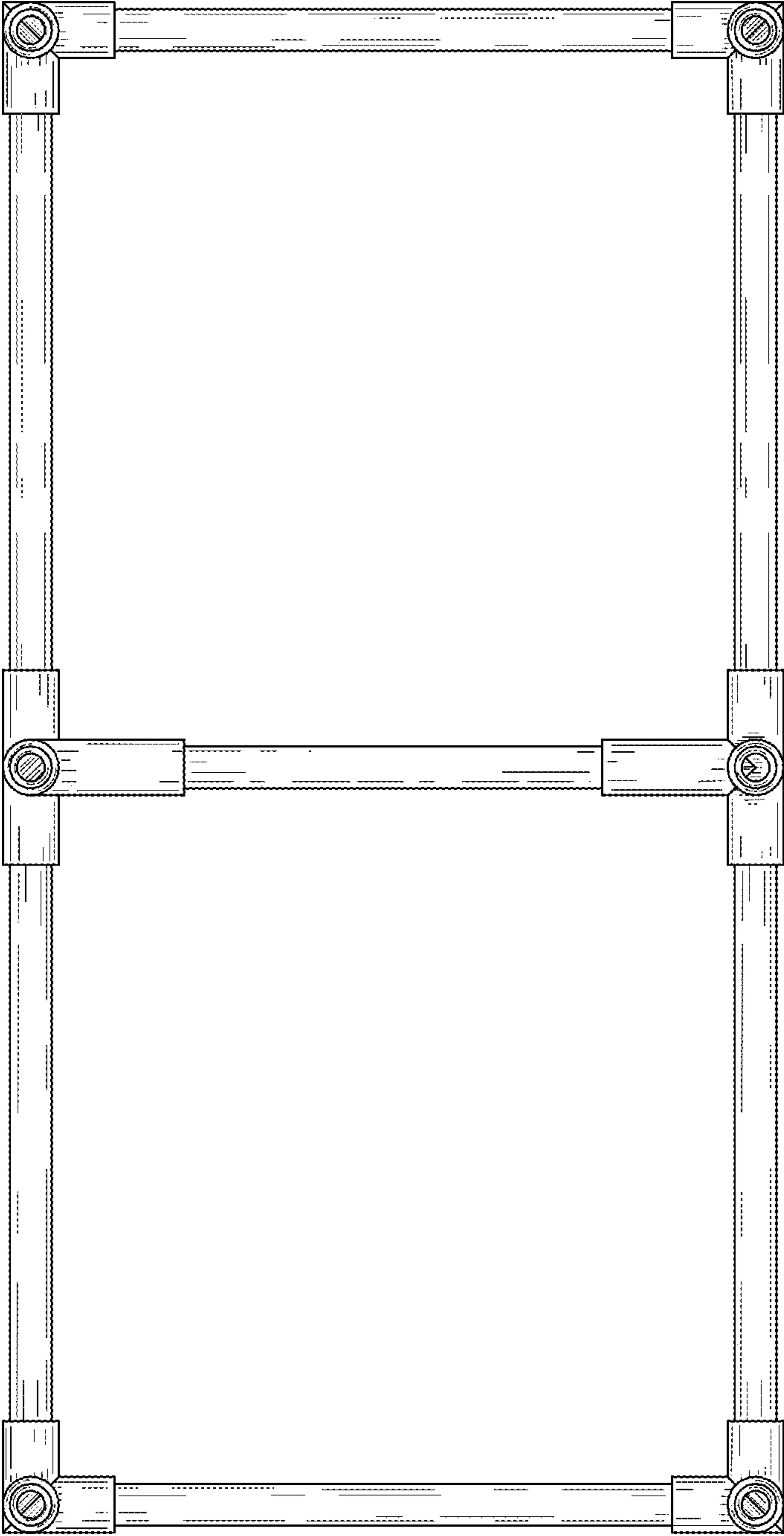


FIG 7

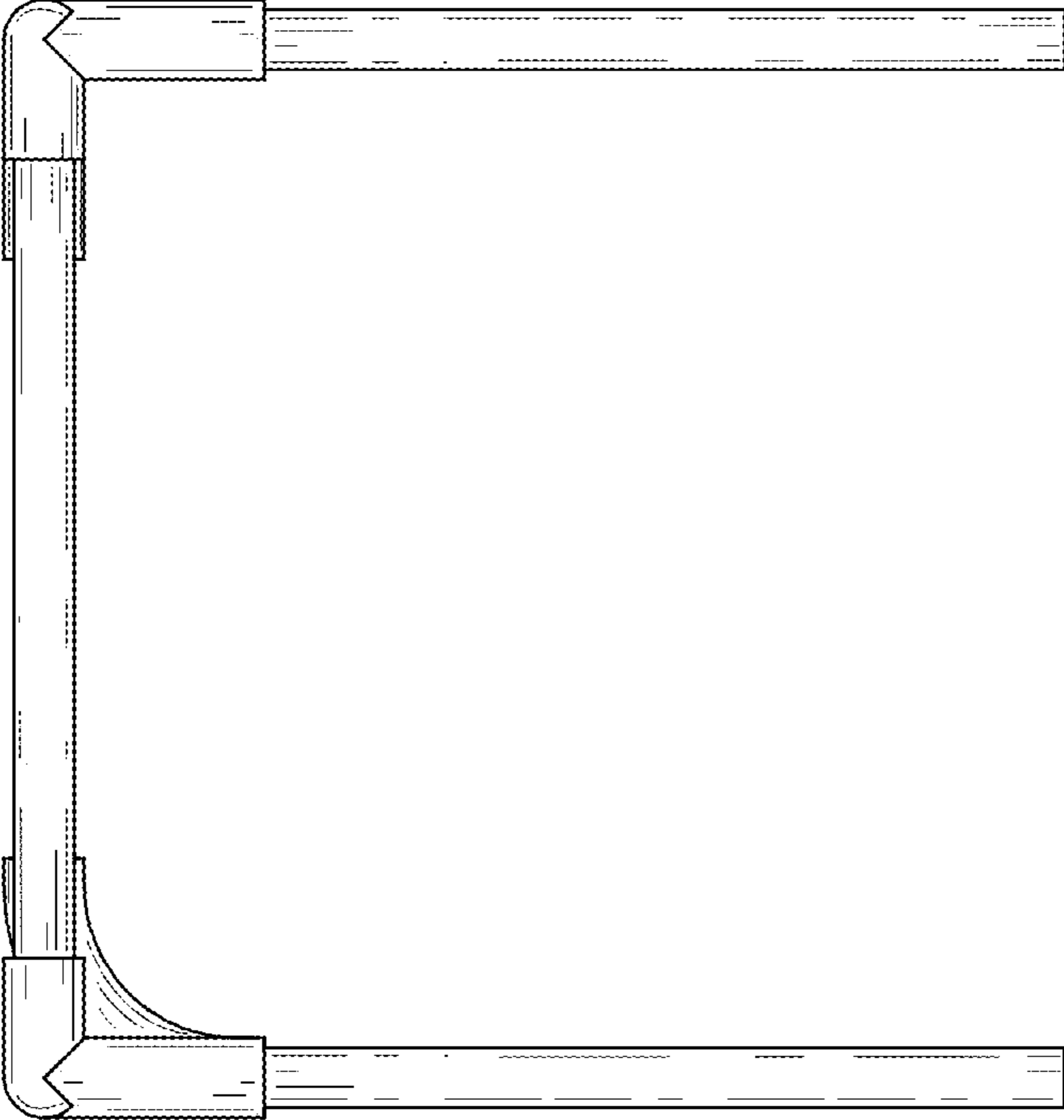


FIG 8

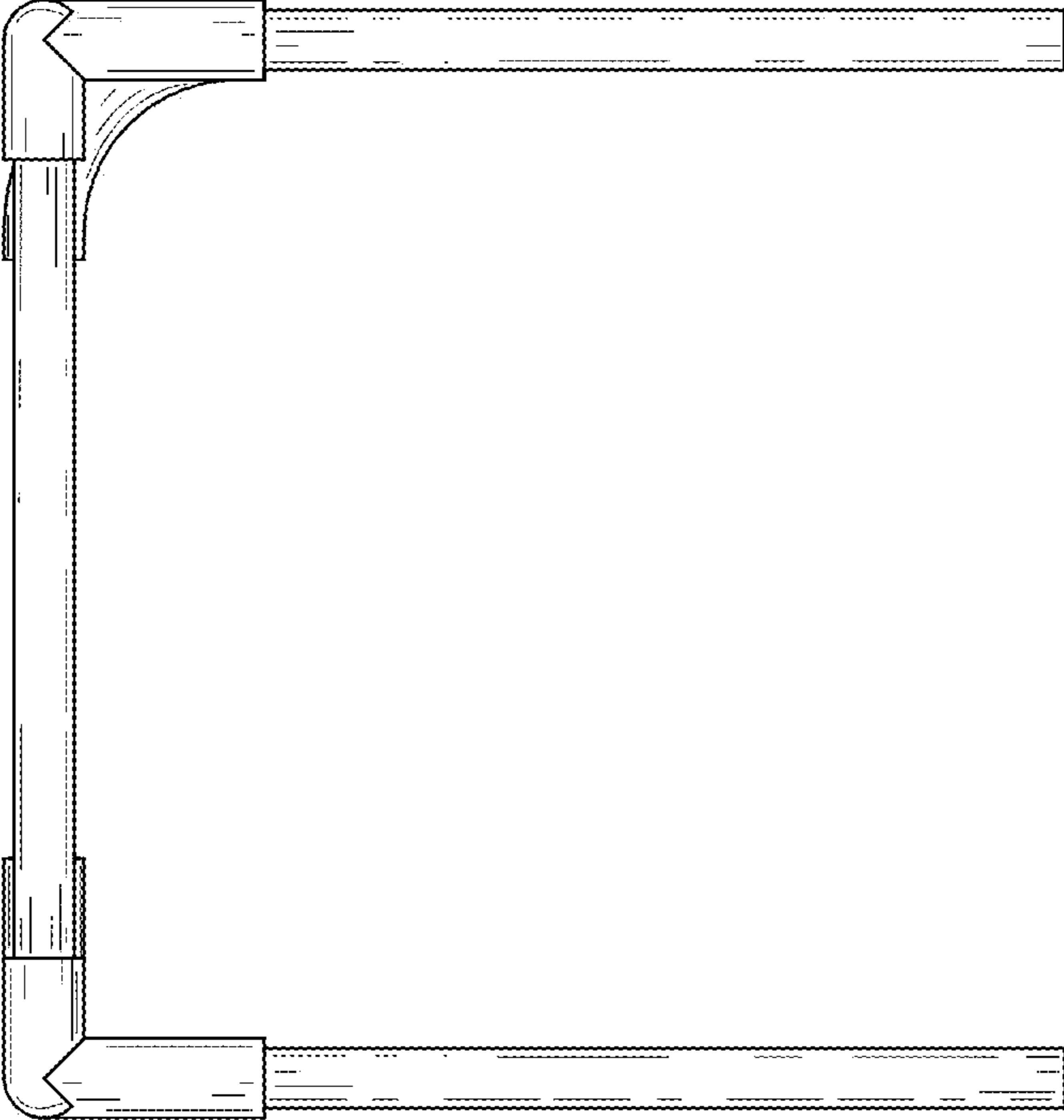


FIG 9

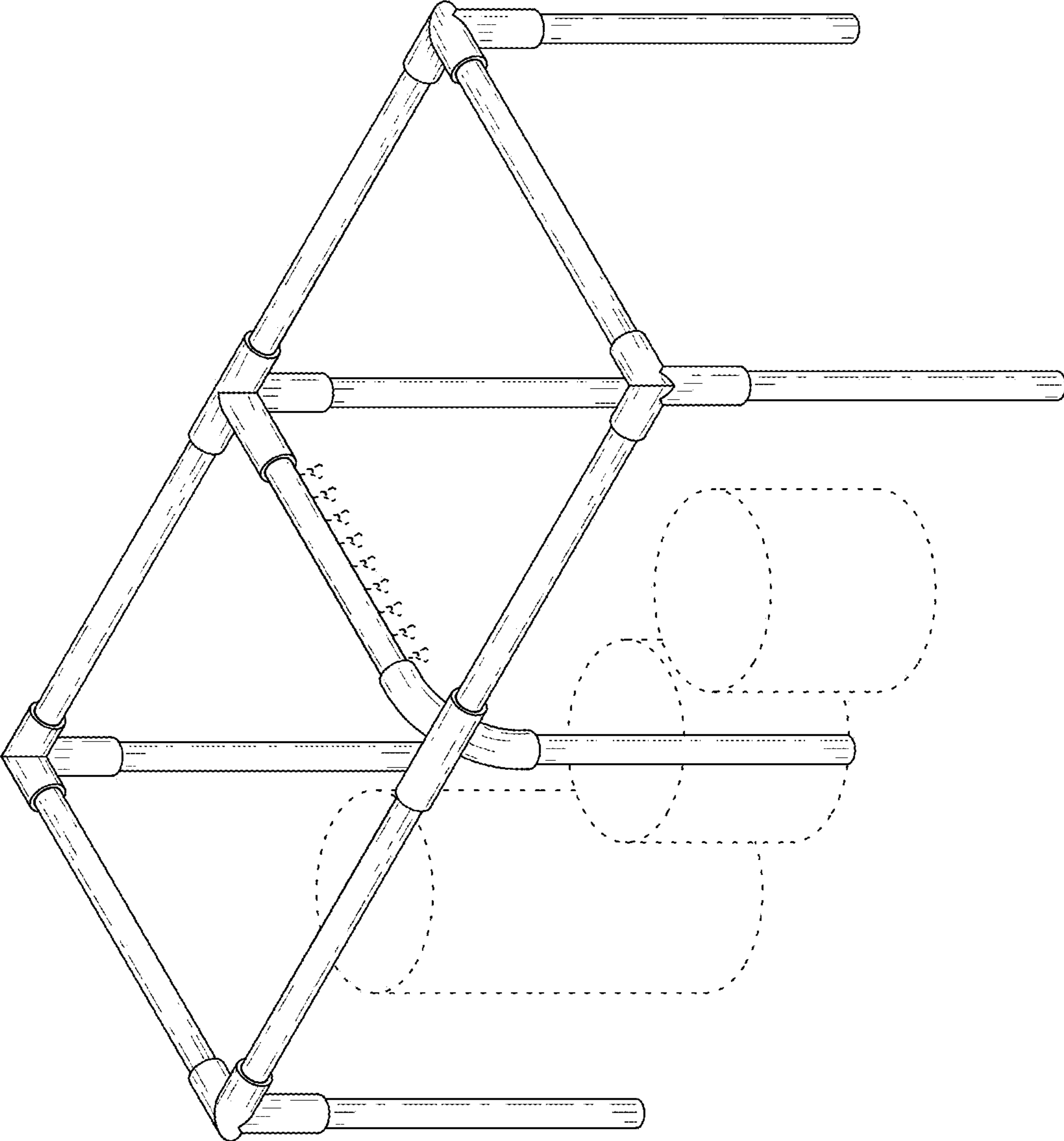


FIG 10