

US00D968177S

(12) **United States Design Patent** (10) **Patent No.:** **US D968,177 S**  
**Gu** (45) **Date of Patent:** **\*\* Nov. 1, 2022**

(54) **CHEF KNIFE**  
(71) Applicant: **Yaqin Gu**, HuaiAn (CN)  
(72) Inventor: **Yaqin Gu**, HuaiAn (CN)  
(\*\*) Term: **15 Years**  
(21) Appl. No.: **29/780,003**

D816,433 S 5/2018 Murken  
D850,219 S \* 6/2019 Junfola ..... D7/649  
D891,882 S 8/2020 Almazan  
D893,947 S 8/2020 Pulk  
D920,056 S \* 5/2021 Chen ..... D7/649  
D925,301 S \* 7/2021 Liang ..... D7/649  
D926,518 S \* 8/2021 Hossom ..... D7/649  
D944,061 S \* 2/2022 Liu ..... D7/649  
D945,838 S \* 3/2022 Zhang ..... D7/649  
D945,839 S \* 3/2022 Gu ..... D7/649

(22) Filed: **Jun. 28, 2021**  
(51) **LOC (13) Cl.** ..... **07-03**  
(52) **U.S. Cl.**  
USPC ..... **D7/649**  
(58) **Field of Classification Search**  
USPC ..... D7/393-395, 401.2, 642-652, 693,  
D7/695-696; D8/93, 97-100, 107, 300,  
D8/321; D22/117-118  
CPC ..... A01B 1/20; A01B 1/22; A22C 25/006;  
A47G 21/06; A47G 21/065; A61B  
17/3211; A61B 17/3213; B21D 53/64;  
B25G 3/36; B26B 1/00; B26B 1/08;  
B26B 1/10; B26B 3/00; B26B 3/02;  
B26B 3/03; B26B 3/04; B26B 3/06;  
B26B 3/08; B26B 5/00; B26B 5/001;  
B26B 5/007; B26B 7/00; B26B 7/005;  
B26B 9/00; B26B 9/02; B26B 11/00;  
B26B 11/006; B26B 17/00; B26B 17/006;  
B26B 29/02

See application file for complete search history.

(56) **References Cited**

**U.S. PATENT DOCUMENTS**

D455,937 S 4/2002 Huebner  
D564,305 S 3/2008 Chisholm  
D623,027 S 9/2010 Behar  
D719,405 S 12/2014 Miller  
D752,384 S 3/2016 Fredaeng  
D770,837 S 11/2016 Yang  
D807,696 S \* 1/2018 Liu ..... D7/649

**OTHER PUBLICATIONS**

ENOKING Serbian Chef Knife Meat Cleaver Forged Butcher Knife. Date First Available on Amazon.com Aug. 14, 2020. <https://www.amazon.com/ENOKING-Butcher-Forged-Cleaver-Leather/dp/B08FWRQ7WT/ref> (Year: 2020).\*

(Continued)

*Primary Examiner* — Ricky Pham

(74) *Attorney, Agent, or Firm* — Rumit Ranjit Kanakia

(57) **CLAIM**

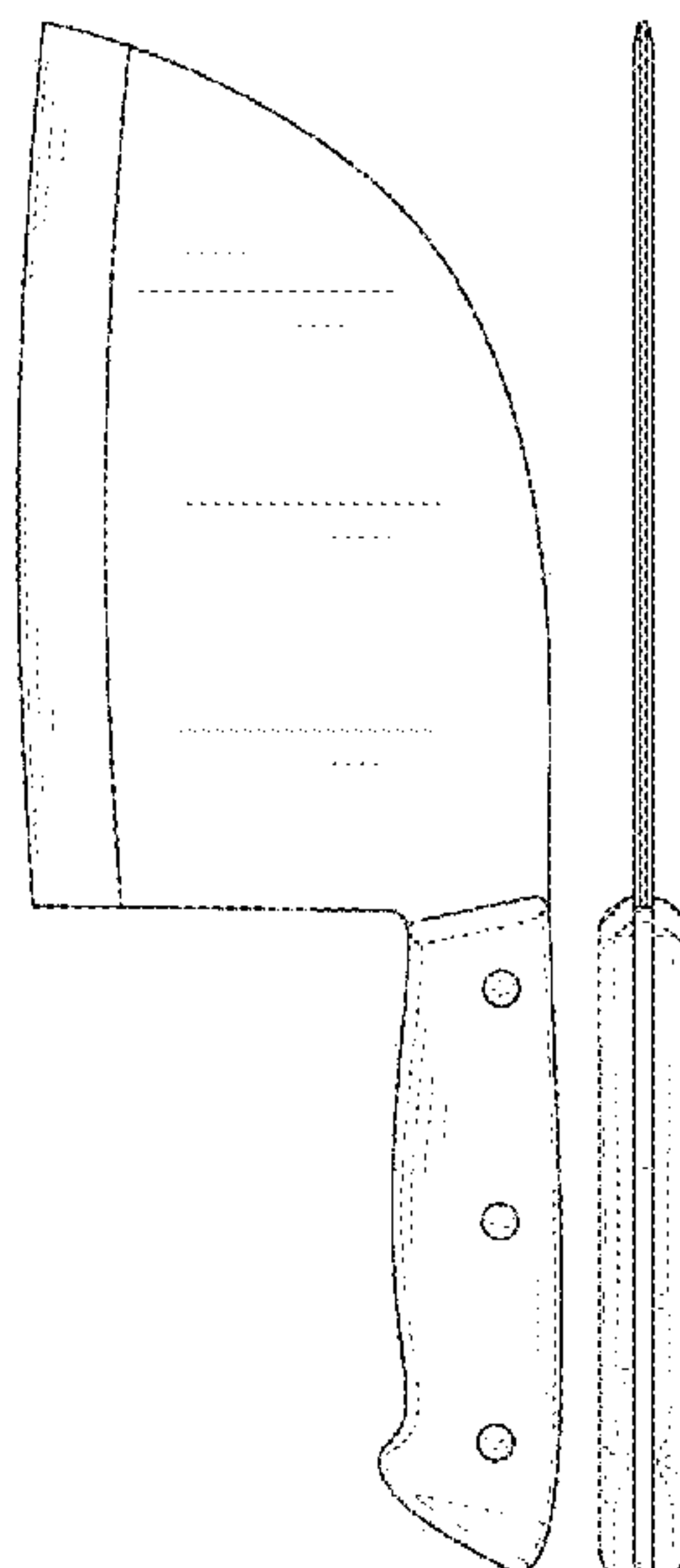
The ornamental design for a chef knife, as shown and described.

**DESCRIPTION**

FIG. 1 is a front elevational view of a chef knife showing my new design;  
FIG. 2 is a rear elevational view thereof; and  
FIG. 3 is a left elevational view thereof;  
FIG. 4 is a right side view thereof;  
FIG. 5 is a top side view thereof;  
FIG. 6 is a bottom plan view thereof; and,  
FIG. 7 is a perspective view of a chef knife showing my new design.

The broken lines in the figures are for the purposes of illustrating portions of the chef knife, which form no part of the claimed design.

**1 Claim, 7 Drawing Sheets**



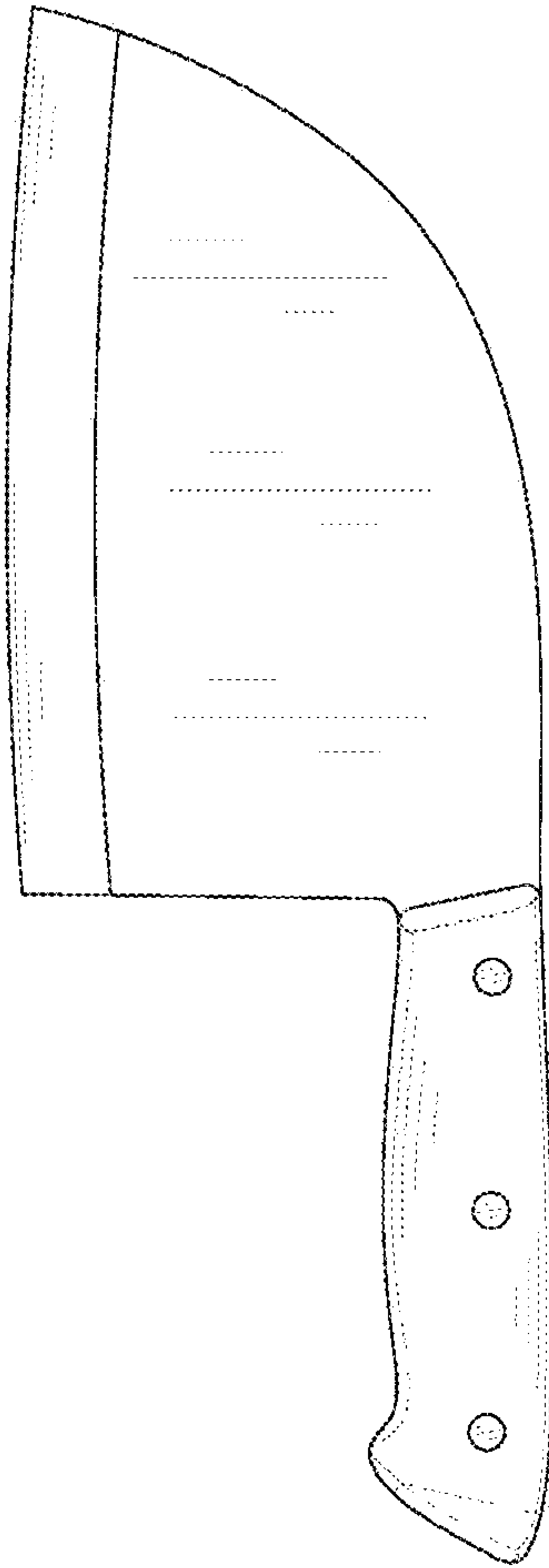
(56)

**References Cited**

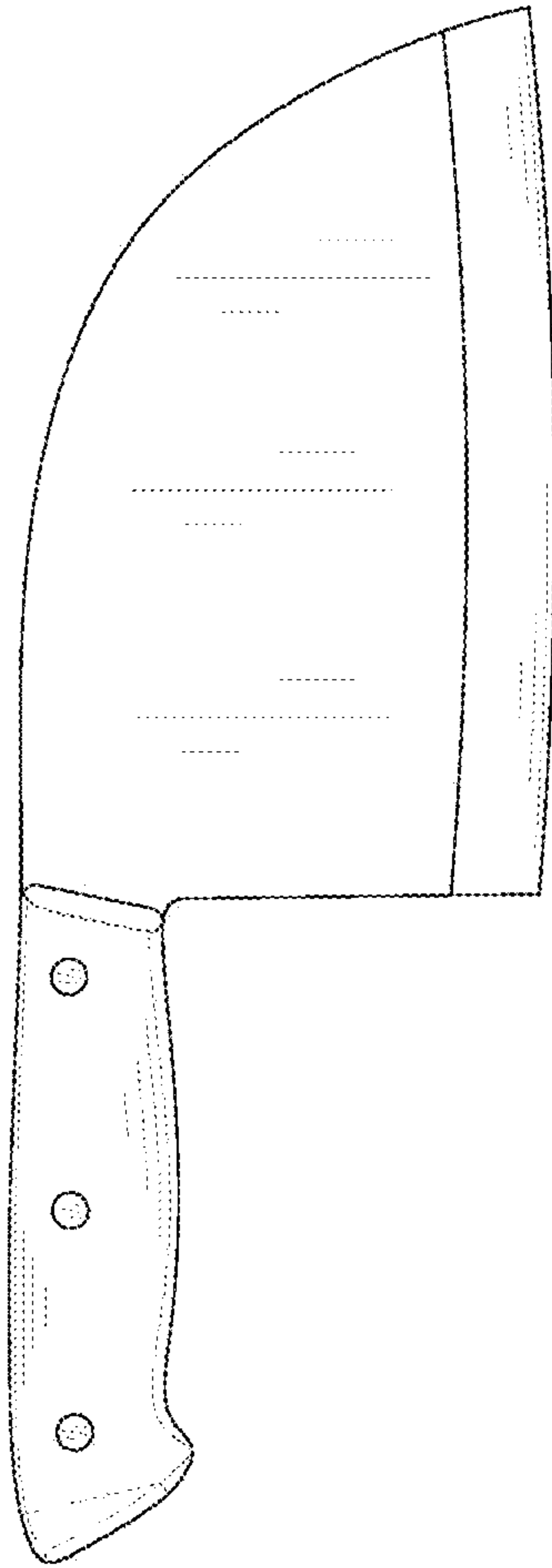
OTHER PUBLICATIONS

ENOKING Serbian Chef Knife Meat Cleaver Forged Butcher Knife with Full Tang Handle Leather Sheath Kitchen Knife for Home, Outdoor Cooking, Camping, BBQ (Black Handle), Amazon.com, Aug. 14, 2020, ENOKING, <https://www.amazon.com/ENOKING-Butcher-Forged-Cleaver-Leather/dp/B08FWRQ7WT?th=1> (Last accessed: Aug. 24, 2022).

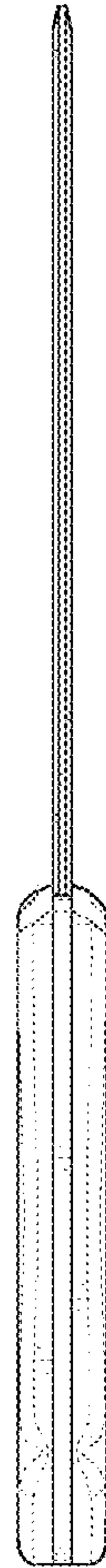
\* cited by examiner



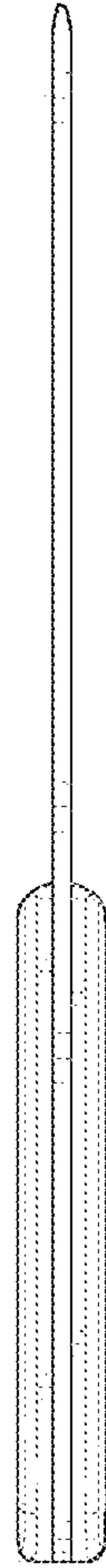
**FIG. 1**



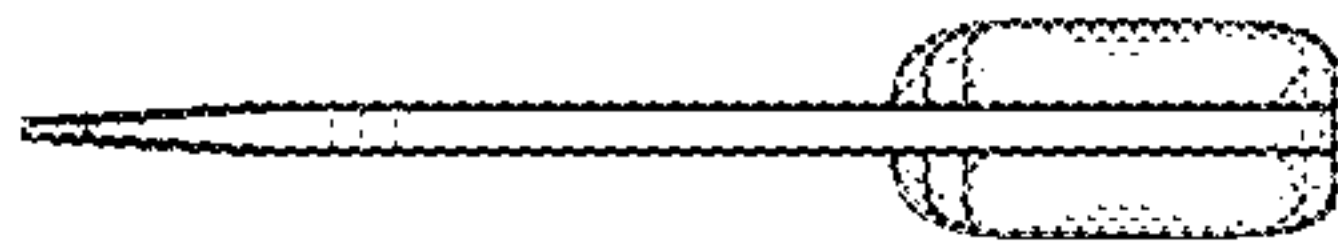
**FIG. 2**



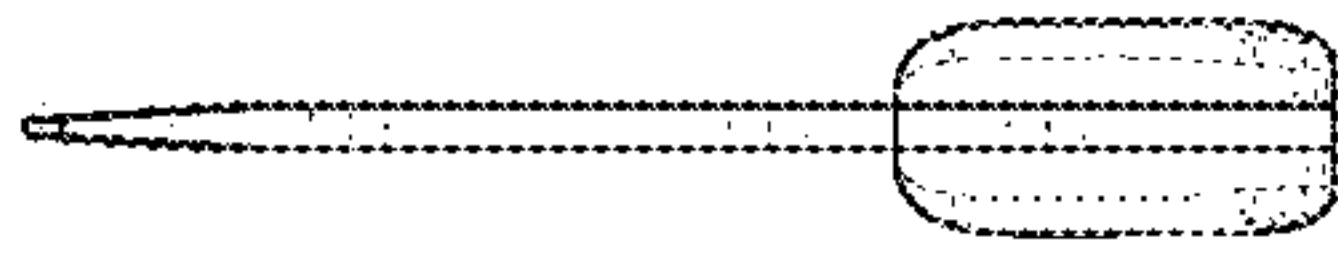
**FIG. 3**



**FIG.4**

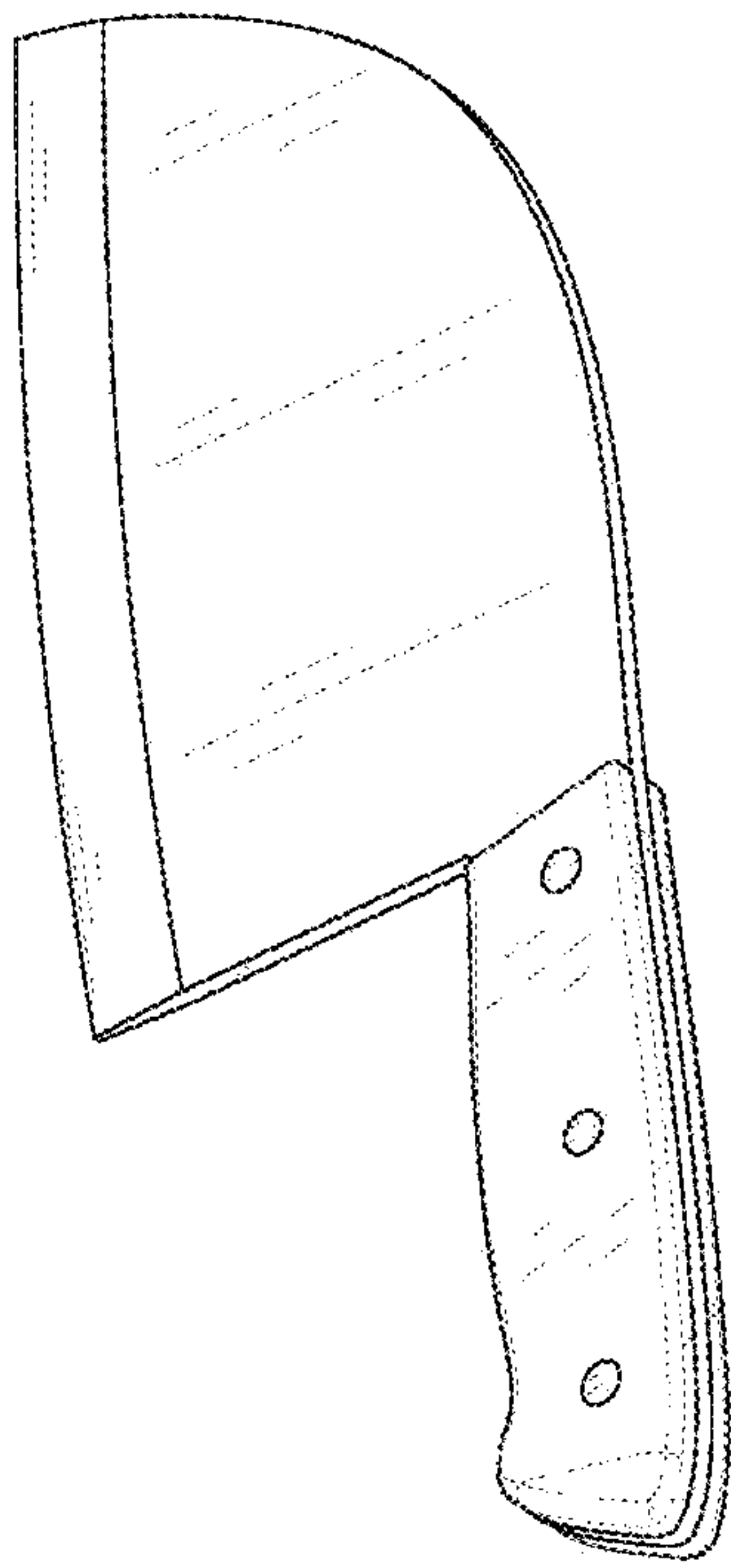


***FIG.5***



**FIG.6**





**FIG. 7**