

US00D968176S

(12) **United States Design Patent** (10) **Patent No.:** **US D968,176 S**
Zemel et al. (45) **Date of Patent:** **** Nov. 1, 2022**

(54) **UTENSIL REST**
(71) Applicant: **Mr. Bar-B-Q Products LLC**, Melville, NY (US)

D901,256 S * 11/2020 Zito D7/637
D904,832 S * 12/2020 Medeiros Santos D7/637
D921,432 S * 6/2021 Kwon D7/409
2017/0311743 A1 11/2017 Jones et al.

(72) Inventors: **Marc Zemel**, Melville, NY (US);
Joanne Rudis, Melville, NY (US)

OTHER PUBLICATIONS

(73) Assignee: **Mr. Bar-B-Q Products LLC**, Hauppauge, NY (US)

BBQ Trivet, Mr. BAR-B-Q, [online], [site visited Jul. 5, 2022], Available from internet URL: <https://mrbarbq.com/products/bbq-tool-trivet/> (Year: 2022).*

(**) Term: **15 Years**

Ignite Grilling 2pc BBQ Grill Tool Set with Pakka Handles, Amazon, [online], [site visited Jul. 5, 2022], Available from internet URL: <https://www.amazon.com/Ignite-Grilling-Grill-Pakka-Handles/dp/B087VTF7VC> (Year: 2022).*

(21) Appl. No.: **29/770,439**

(Continued)

(22) Filed: **Feb. 12, 2021**

Primary Examiner — Mary Ann Calabrese

(51) **LOC (13) Cl.** **07-07**

Assistant Examiner — Natalya M Rapundalo

(52) **U.S. Cl.**
USPC **D7/637**

(74) *Attorney, Agent, or Firm* — Carter, DeLuca & Farrell LLP

(58) **Field of Classification Search**
USPC D7/368, 387, 388, 393, 395, 396.1, D7/401.2, 412, 500, 550.1, 553.1–553.3, D7/553.7, 554.1, 554.3, 554.4, 555, 586, D7/587, 600.1, 601, 602, 635–645, 653, D7/662–664, 669, 701, 703, 707, 708

(57) **CLAIM**

CPC A47G 21/14; A47J 47/16
See application file for complete search history.

The ornamental design for a utensil rest, as shown and described.

DESCRIPTION

(56) **References Cited**

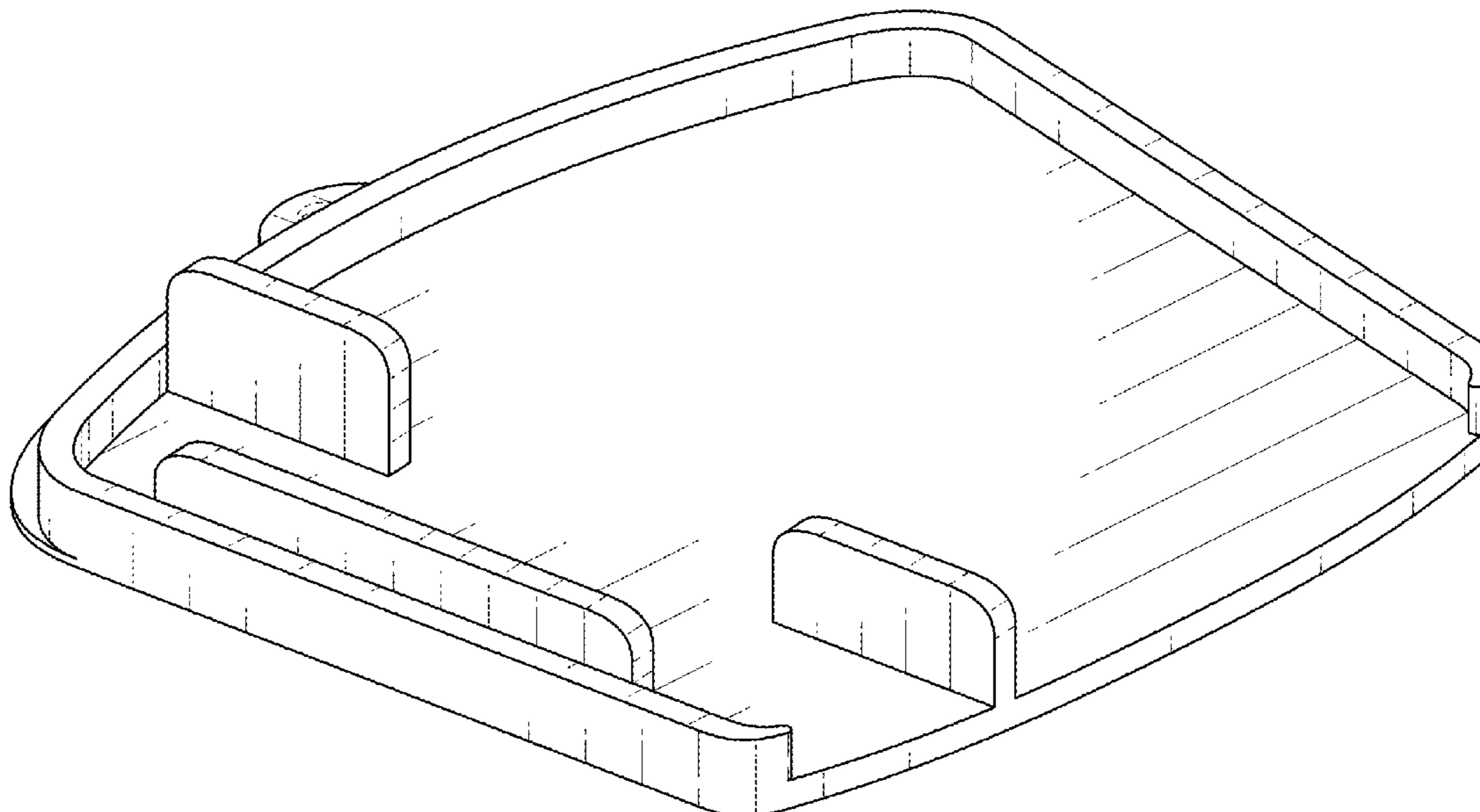
FIG. 1 is a top perspective view of a utensil rest in accordance with the present design;
FIG. 2 is a front elevational view thereof;
FIG. 3 is a rear elevational view thereof;
FIG. 4 is a right side elevational view thereof;
FIG. 5 is a left side elevational view thereof;
FIG. 6 is a top plan view thereof;
FIG. 7 is a bottom plan view thereof; and,
FIG. 8 is a perspective view showing the utensil rest in its environment.

U.S. PATENT DOCUMENTS

D237,447 S * 11/1975 Ashton D7/641
D255,311 S * 6/1980 Dunne D7/637
D276,018 S * 10/1984 Hagedorn D7/637
D444,356 S * 7/2001 Conaway D7/637
D790,926 S 7/2017 Jones et al.
D831,439 S * 10/2018 Meitinger D7/637
D836,398 S * 12/2018 Jones D7/553.1
D841,401 S * 2/2019 Jones D7/554.3
D886,549 S * 6/2020 Kim D7/637
D886,552 S * 6/2020 Reiner D7/637

The broken lines shown in the drawings illustrate portions of the utensil rest and environment, and form no part of the claimed design.

1 Claim, 5 Drawing Sheets



(56)

References Cited

OTHER PUBLICATIONS

Broil King “Broil King 60973 Silicon Trivet BBQ Mitt” https://www.amazon.com/dp/B00KA36F8S/ref=asc_df_B00KA36F8S5146429/?tag=hyprod-20&creative=394997&creativeASIN=B00KA36F8S&linkCode=df0&hvadid=167141575819&hvpos=1o4&hvnetw=g&hvrnd=13301218915834499000&hvpone=&hvptwo=&hvqmt=&hvdev=c&hvdvcmld=&hvlocint=&hvlocphy=9004511&hvtargid=pla-310193721777, Accessed on May 12, 2021, pp. 1-7.

Lamson “Lamson Honey Comb Hotspot Potholder/Trivet, Red” https://www.amazon.com/dp/B073Q369W6/ref=asc_df_B073Q369W65146429/?tag=hyprod-20&creative=394997&creativeASIN=B073Q369W6&linkCode=df0&hvadid=216574878909&hvpos=1o12&hvnetw=g&hvrnd=14347919269158202956&hvpone=&hvptwo=&hvqmt=&hvdev=c&hvdvcmld=&hvlocint=&hvlocphy=9004511&hvtargid=pla-350750485888, Accessed on May 12, 2021, pp. 1-6.

My Home Basics “My Home Basics Multi-Purpose Silicone Trivet Potholder” https://www.wayfair.com/My-Home-Basics-Multi-Purpose-Silicone-Trivet-B00YZXDQ0E-L1262-K~MHBS1004.html?refid=GX99081627802-MHBS1004&device=c&ptid=265232270043&targetid=pla-265232270043&gclid=CjwKCAjwxJnNBRAMEiwA8X_-Qc2FJAXNGmPvvrLdl0hufvmwtX4nMoi9MVM68sCCg8VwUsFcsZqwRoCyA0QAvD_BwE, Accessed on May 12, 2021, pp. 1-47.

Google Search for: barbecue and tool and trivet, https://www.google.com/search?q=barbecue+and+tool+and+trivet&rlz=1C1GGRV_enUS751US751&source=lnms&tbm=shop&sa=X&ved=0ahUKEwj_bQqv_VAhXF54MKHTcYD2AQ_AUICigB&biw=1097&bih=556#spd=10270241482069813750, Accessed on May 12, 2021, pp. 1-12.

Google Search for: barbecue and tool and trivet, https://www.google.com/search?q=barbecue+and+tool+and+trivet&rlz=1C1GGRV_enUS751US751&tbs=vw:1,ss:44&tbm=shop&ei=wuGmWd_6IKW2jwTZyLGICw&start=20&sa=N&biw=1097&bih=556#spd=12201476358527270126, Accessed on May 12, 2021, pp. 1-8.

Room Essentials, “Silicone Grill Trivet Utensil Holder—Blue—Room Essentials” <https://www.target.com/p/silicone-grill-trivet-utensil-holder-blue-room-essentials-8482/-/A-79797439>, Accessed on May 14, 2021, pp. 1-7.

Polyvore, “Designer Clothes, Shoes & Bags for Women | SSENSE” <https://www.pinterest.com/pin/584342120371224903/>, Accessed on May 14, 2021, pp. 1-3.

* cited by examiner

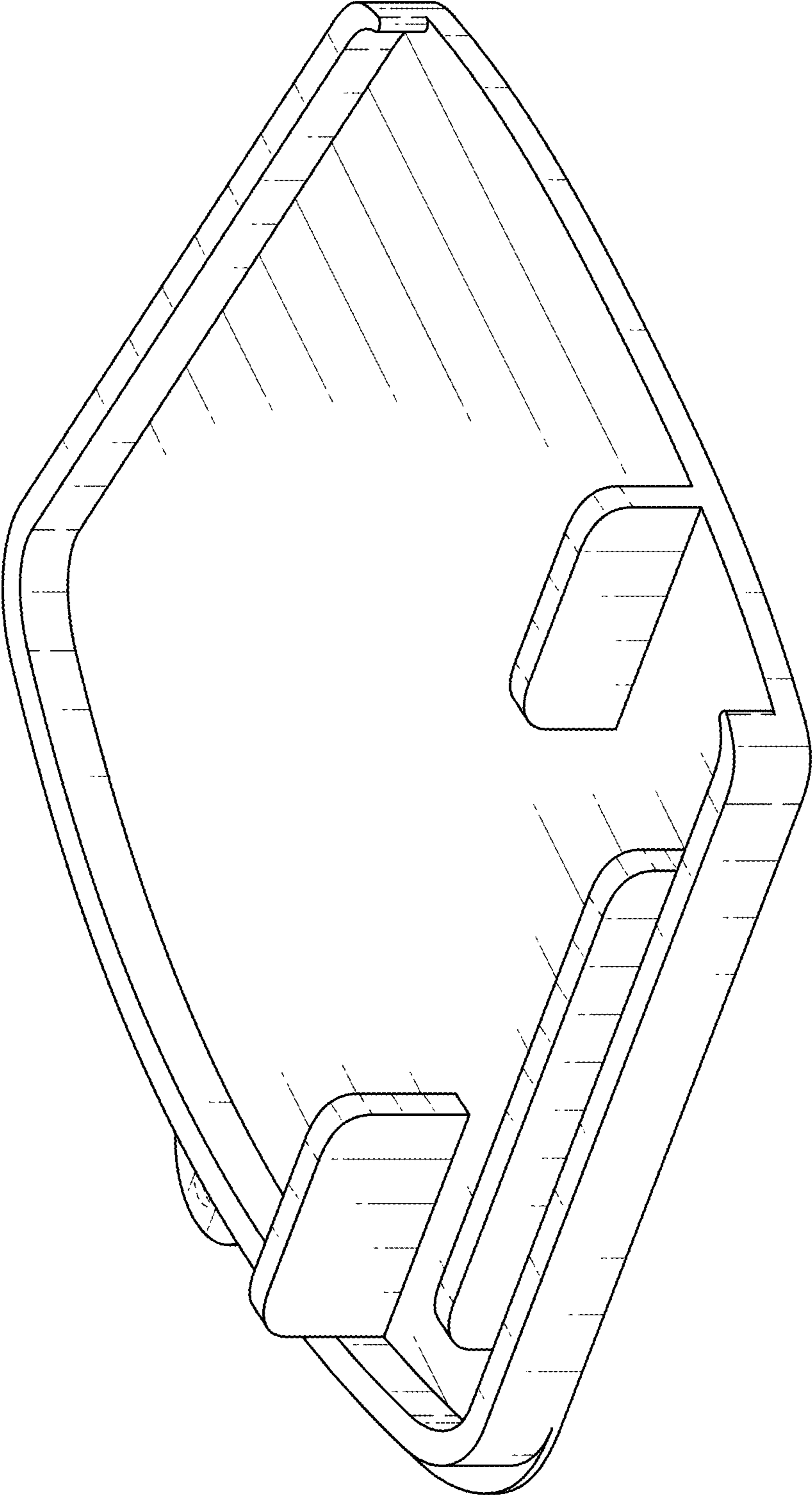


FIG. 1

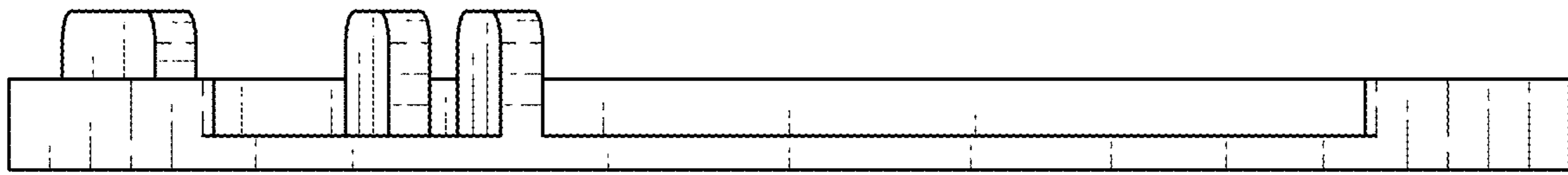


FIG. 2

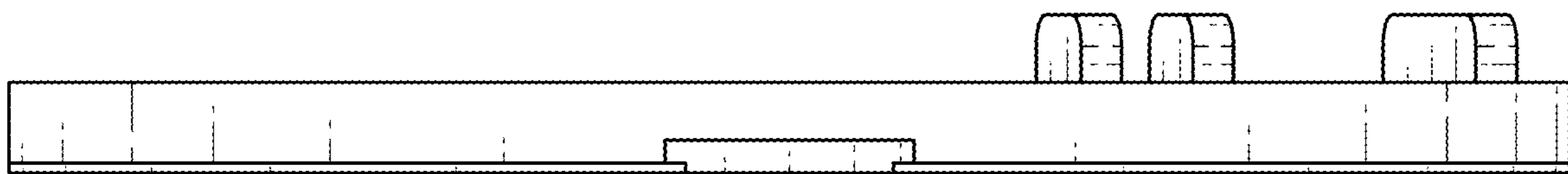


FIG. 3

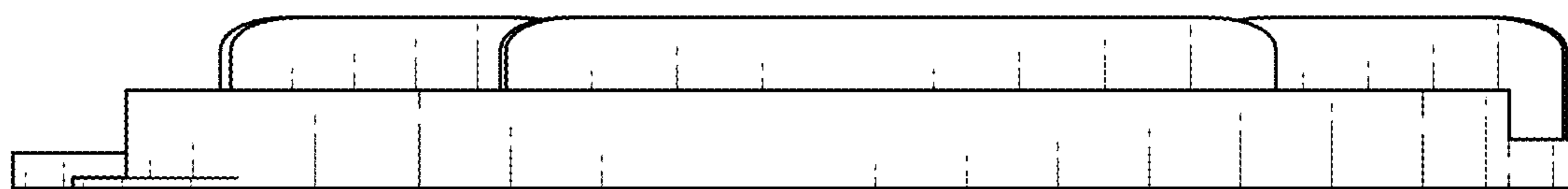


FIG. 4

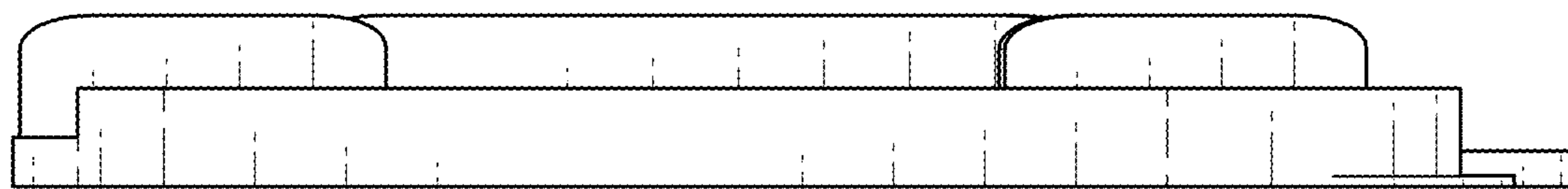


FIG. 5

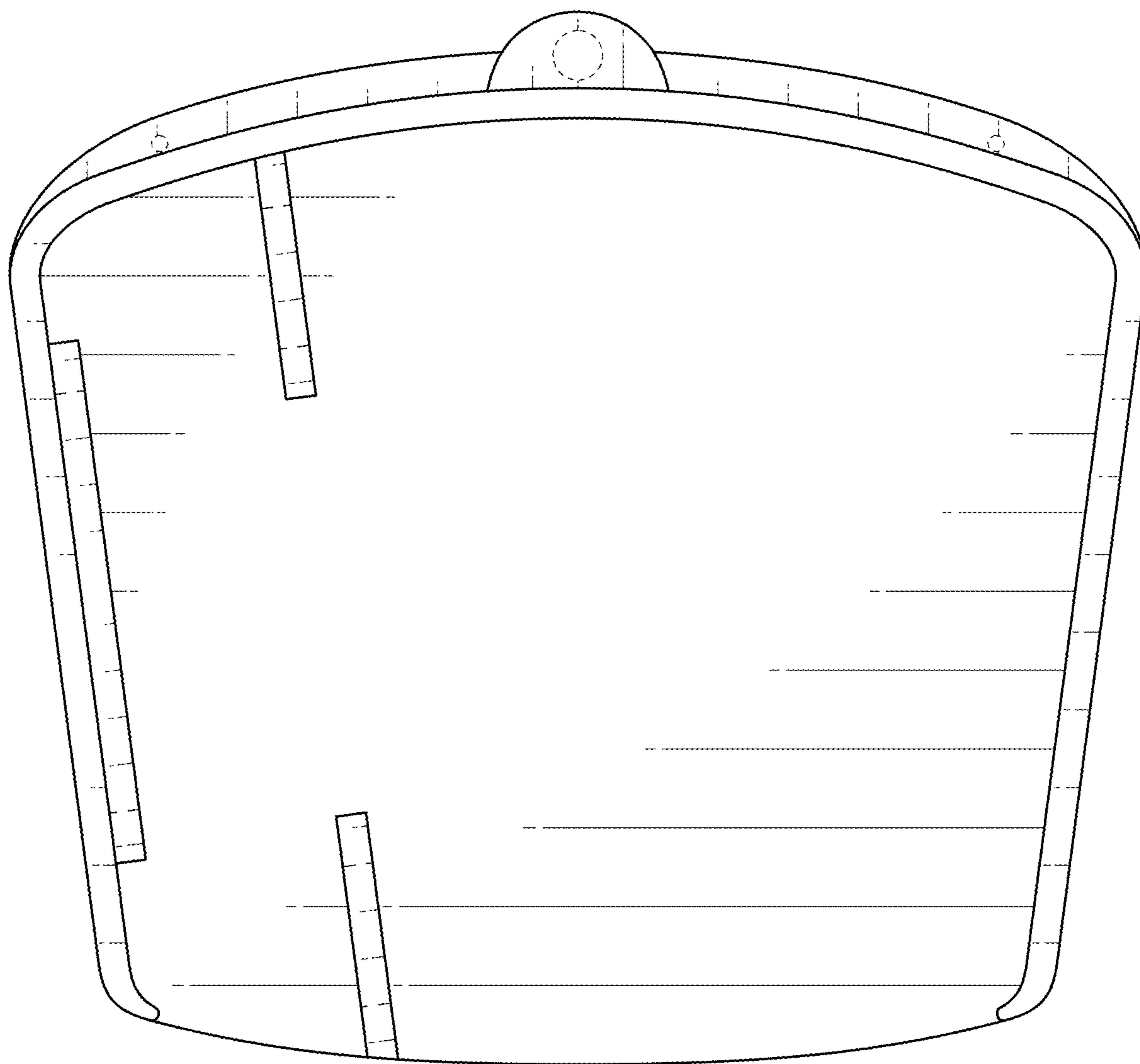


FIG. 6

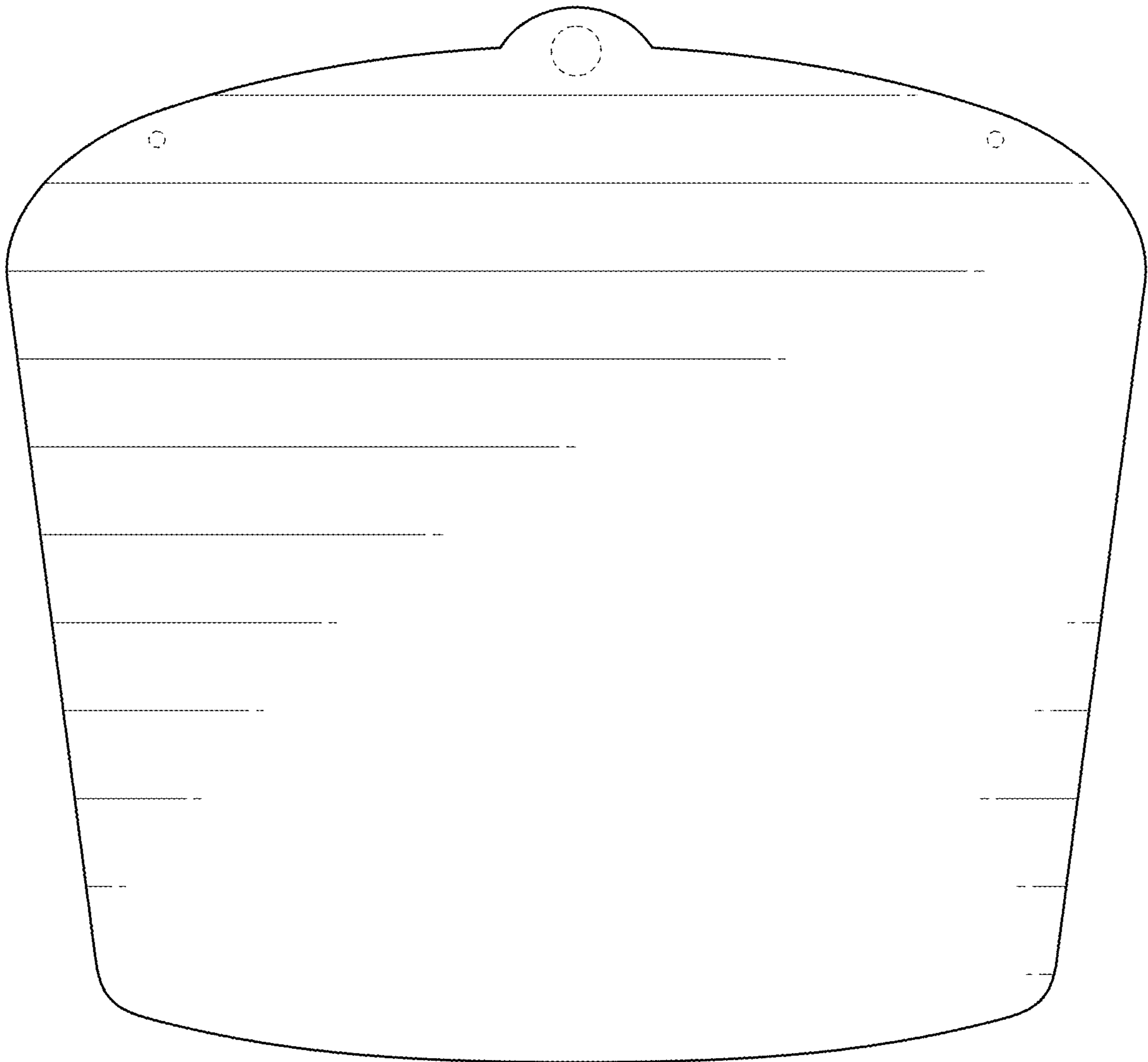


FIG. 7

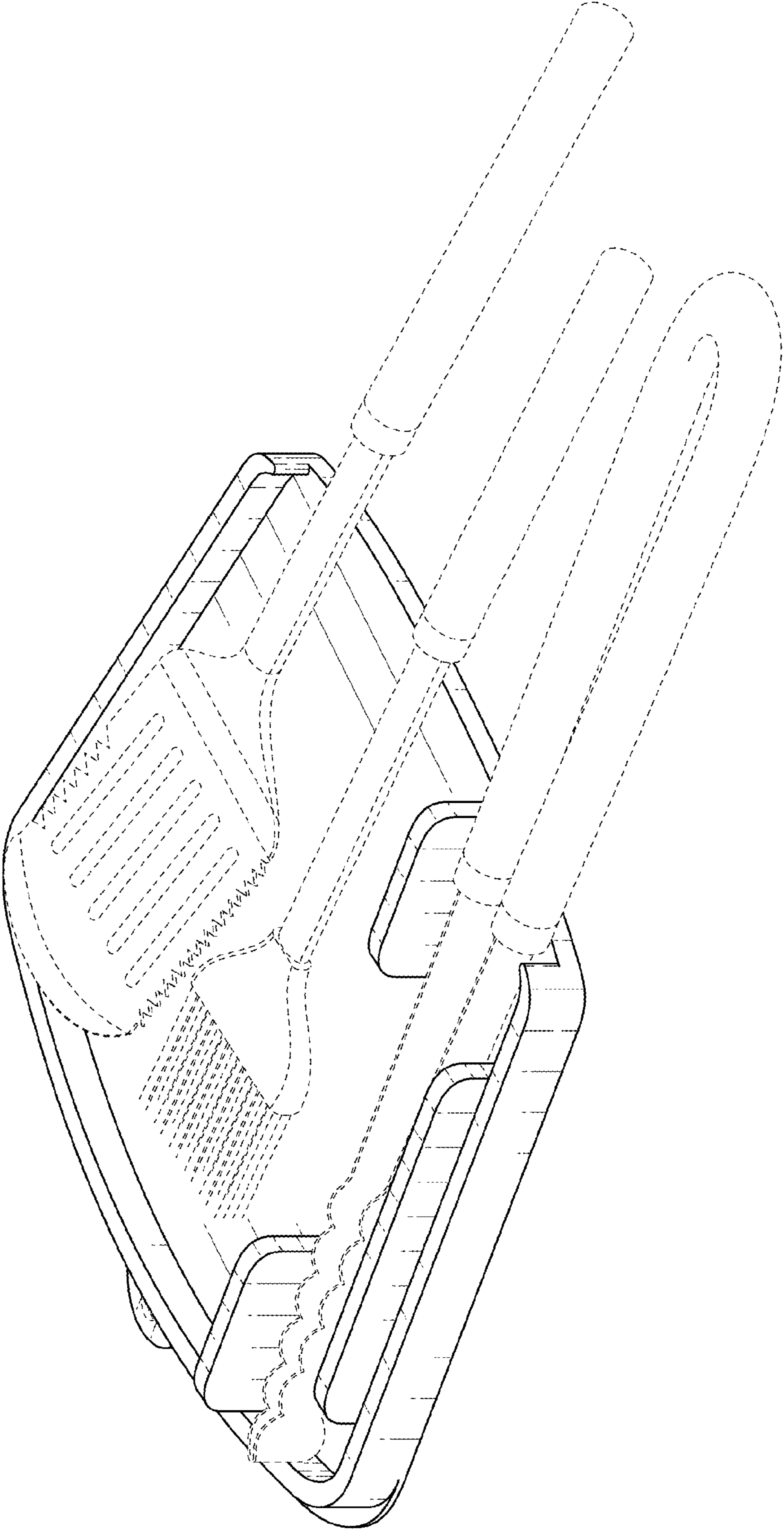


FIG. 8