



US00D968175S

(12) **United States Design Patent** (10) **Patent No.:** **US D968,175 S**
Barber (45) **Date of Patent:** **** Nov. 1, 2022**

(54) **CONTAINER**

(71) Applicant: **BRADSHAW HOME**, Rancho Cucamonga, CA (US)
(72) Inventor: **Tom Barber**, Manhattan Beach, CA (US)
(73) Assignee: **BRADSHAW HOME**, Rancho Cucamonga, CA (US)
(**) Term: **15 Years**
(21) Appl. No.: **29/739,193**

(22) Filed: **Jun. 23, 2020**
(51) **LOC (13) Cl.** **07-07**
(52) **U.S. Cl.**
USPC **D7/629**; D9/428; D9/425
(58) **Field of Classification Search**
USPC D9/414-426, 428-432, 500, 503, 504, D9/439, 452, 442, 502, 695, 696, 737, D9/739, 741, 742, 746, 747, 755, 756, D9/772, 774, 776-779, 425, 429; D7/601, 602, 538, 546, 547, 549, 400, D7/630, 540, 629
CPC B65D 2543/00148; B65D 43/021; B65D 1/30; B65D 1/22
See application file for complete search history.

(56) **References Cited**

U.S. PATENT DOCUMENTS

D194,054 S	11/1962	Grossman	
3,107,027 A	10/1963	Hong	
D234,180 S *	1/1975	Dart	D7/584
D235,302 S *	6/1975	Lanigan	D7/584
D239,999 S *	5/1976	Christian	D7/584
4,081,646 A	3/1978	Goltsos	
D277,632 S *	2/1985	Staufenberg	D7/629
4,574,174 A	3/1986	McGonigle	
D305,409 S	1/1990	Michaud et al.	
D339,030 S	9/1993	Bitel, Sr.	

(Continued)

OTHER PUBLICATIONS

Everyday Wellness. How to Meal Prep Salads (and keep them fresh!). Published Jul. 23, 2017. Visited Dec. 14, 2021. <https://everydaywellnesswithmorgan.com/how-to-meal-prep-salads/> (Year: 2017).*

(Continued)

Primary Examiner — Darcey E Gottschalk
Assistant Examiner — Vanessa M. Pursley
(74) *Attorney, Agent, or Firm* — Birch, Stewart, Kolasch & Birch, LLP

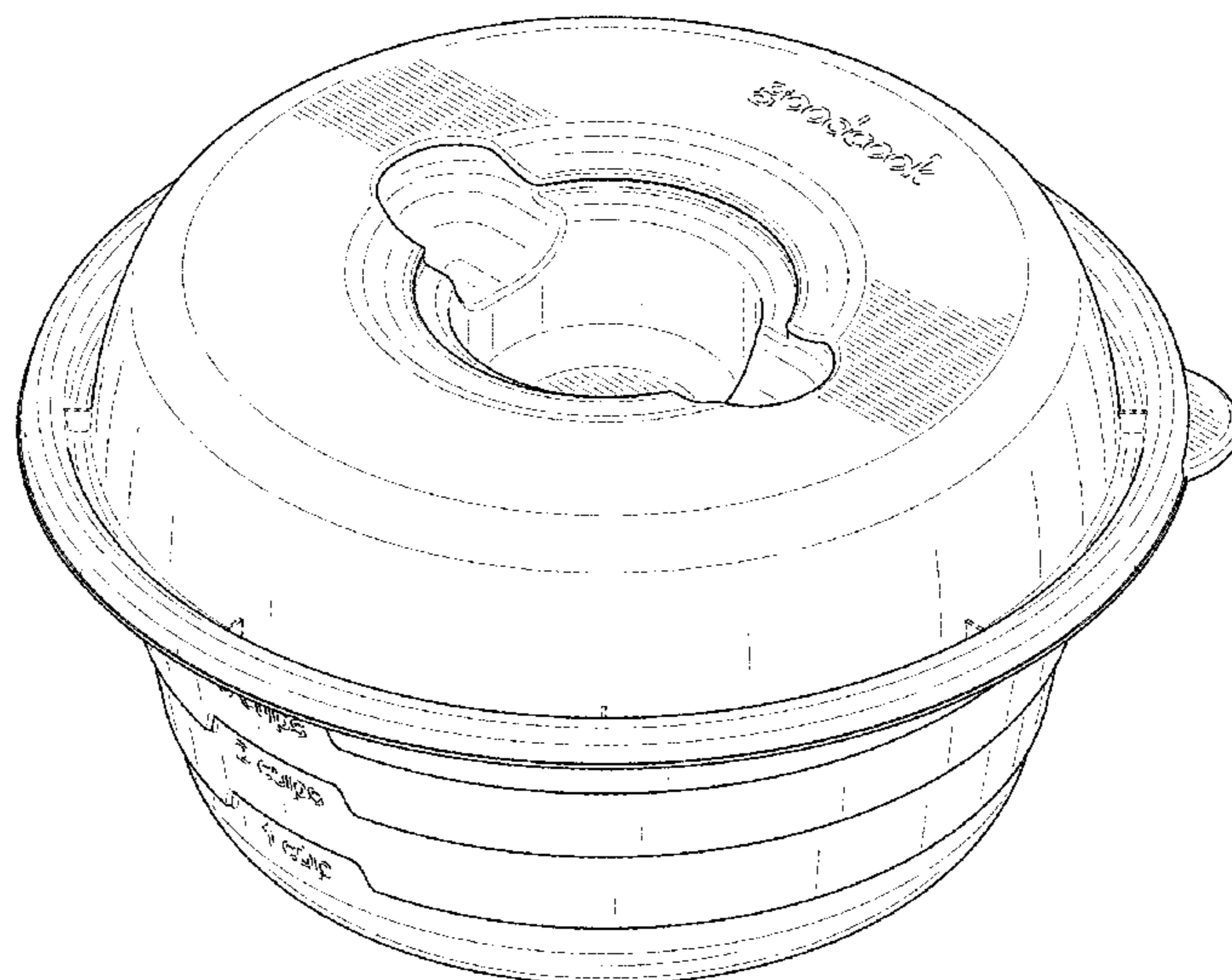
(57) **CLAIM**

The ornamental design for a container, as shown and described.

DESCRIPTION

FIG. 1 is a top, front, right perspective view of the container showing my new design;
FIG. 2 is a front view thereof;
FIG. 3 is a rear view thereof;
FIG. 4 is a left side view thereof;
FIG. 5 is a right side view thereof;
FIG. 6 is a top plan view thereof;
FIG. 7 is a bottom plan view thereof;
FIG. 8 is a top, front, right perspective view, shown in an environment of use;
FIG. 9 is a top, front, right view thereof, shown in an environment of use; and,
FIG. 10 is a top plan view thereof, shown in an environment of use.
The broken line showing in the figures is for the purpose of illustrating portions of the container that form no part of the claimed design and, in FIGS. 8-10, the broken lines depicting a separate container represent environmental structure that forms no part of the claimed design.

1 Claim, 10 Drawing Sheets



(56)

References Cited

U.S. PATENT DOCUMENTS

5,419,451 A 5/1995 Bitel, Jr.
D372,170 S 7/1996 Ahern, Jr.
D380,124 S * 6/1997 Kato D7/629
D395,985 S 7/1998 Krupa et al.
D415,420 S * 10/1999 Chen D7/629
D415,422 S 10/1999 McCann
D442,484 S 5/2001 Maxwell et al.
D446,084 S * 8/2001 Schulein D7/629
D447,917 S * 9/2001 Miller D7/629
D451,769 S 12/2001 Stanos et al.
6,467,647 B1 10/2002 Tucker et al.
6,471,084 B2 10/2002 Erb
D479,806 S * 9/2003 Nilsson D7/629
D489,579 S 5/2004 Wright
D494,857 S 8/2004 Chen et al.
6,910,599 B2 6/2005 Tucker et al.
D508,378 S * 8/2005 Bertulis D7/629
D515,880 S 2/2006 Lerner
7,097,066 B2 8/2006 Tucker et al.
D537,300 S * 2/2007 Kim D7/629
D539,666 S 4/2007 Chou
7,261,219 B2 8/2007 Tucker et al.
D552,487 S 10/2007 Chou
D555,982 S * 11/2007 Tucker D7/629
D555,983 S * 11/2007 Tucker D7/629
D566,483 S * 4/2008 Tucker D7/629
D582,218 S * 12/2008 Curtin D7/629
D586,623 S 2/2009 Dunn
D594,324 S * 6/2009 Colacitti D7/354
D596,499 S 7/2009 Willis et al.
D606,368 S * 12/2009 Wu D7/629
D606,812 S 12/2009 Wu
D608,153 S 1/2010 Furlong
D611,807 S * 3/2010 Miga, Jr. D9/424
7,726,483 B2 6/2010 Ramanujam et al.
D631,302 S * 1/2011 Sperrazza D7/629
D643,251 S 8/2011 Stamper et al.
D645,707 S 9/2011 Stamper et al.
D645,708 S 9/2011 Stamper et al.
D649,838 S 12/2011 Stamper et al.
D649,839 S 12/2011 Stamper et al.
D653,913 S 2/2012 Stamper et al.
D659,479 S 5/2012 Peck
D660,087 S 5/2012 Ewen et al.
D665,663 S * 8/2012 Krupa D9/428
D665,674 S 8/2012 Wu
D665,675 S 8/2012 Wu
D665,676 S 8/2012 Wu
D666,058 S 8/2012 Liang et al.
8,317,044 B2 11/2012 Wu et al.
D672,204 S 12/2012 Stamper et al.
D672,612 S 12/2012 Stamper et al.
D672,613 S 12/2012 Stamper et al.
D672,614 S 12/2012 Stamper et al.

D672,615 S 12/2012 Stamper et al.
D672,616 S 12/2012 Stamper et al.
D673,009 S 12/2012 Stamper et al.
D674,666 S * 1/2013 Pallotto D7/629
D680,861 S * 4/2013 Chen D9/429
D691,038 S 10/2013 Tyberghein
D691,901 S 10/2013 Epstein
D695,575 S 12/2013 Katz
D696,910 S 1/2014 Franczyk et al.
D707,120 S 6/2014 Tyberghein
D711,220 S 8/2014 Tyberghein
D730,127 S * 5/2015 Maxwell D7/629
D730,727 S * 6/2015 Chen D9/500
D741,708 S * 10/2015 Thurin D9/503
D744,294 S 12/2015 Linder
D749,371 S * 2/2016 Kolano D7/629
D755,579 S 5/2016 Wu
D763,706 S 8/2016 Shum et al.
D769,113 S 10/2016 Chen
D781,699 S * 3/2017 Pan D9/423
D825,335 S * 8/2018 Buck D9/500
D865,510 S * 11/2019 Mathias D9/416
10,494,143 B2 12/2019 Kuo et al.
D885,919 S * 6/2020 Beardsall D9/503
D886,600 S * 6/2020 Wu D9/428
D900,619 S * 11/2020 Beardsall D9/575
D911,112 S * 2/2021 Liao D7/586
D911,114 S * 2/2021 Liao D7/586
D922,194 S * 6/2021 Kazemahvazi D9/428
D940,548 S * 1/2022 Krüger D9/416
D944,641 S * 3/2022 Wu D9/425
D947,667 S * 4/2022 Sanders D9/428
2006/0029695 A1 2/2006 Kaczor
2006/0201950 A1 9/2006 Liu
2011/0020772 A1 1/2011 Carter et al.
2017/0113848 A1 4/2017 Zhen
2018/0022517 A1 * 1/2018 Wu B65D 43/0208
220/780
2018/0086500 A1 3/2018 Kuo

OTHER PUBLICATIONS

Epicurious. The Best Salad Containers for Take-To-Work Lunches. Published by Emily Johnson on Jul. 9, 2018. Visited Dec. 14, 2021. <https://www.epicurious.com/expert-advice/best-salad-containers-for-take-to-work-lunches-article> (Year: 2018).*

Amazon. Goodcook Microwavable and Freezer Safe Meal Prep Bowl. First available May 29, 2020. Visited Dec. 14, 2021. <https://www.amazon.com/Goodcook-Microwavable-Freezer-Safe-Black/dp/B089CTZKVR/> (Year: 2020).*

Amazon. Meal Prep Containers by Prep Naturals. First available May 11, 2018. Visited Dec. 16, 2021. <https://www.amazon.com/Meal-Prep-Containers-pack-Disposable/dp/B07K6KKWHW/?th=1> (Year: 2018).*

* cited by examiner

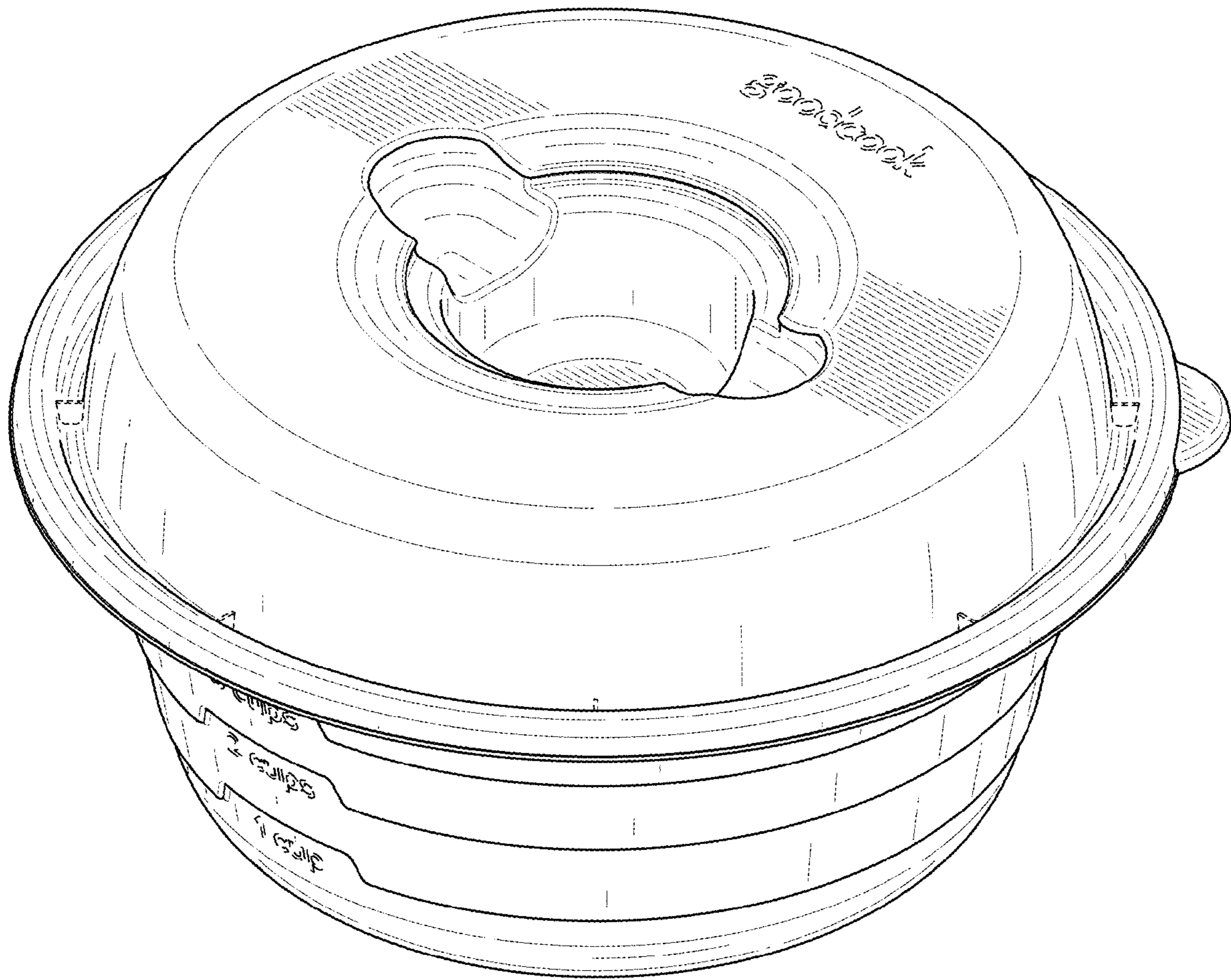


FIG.1

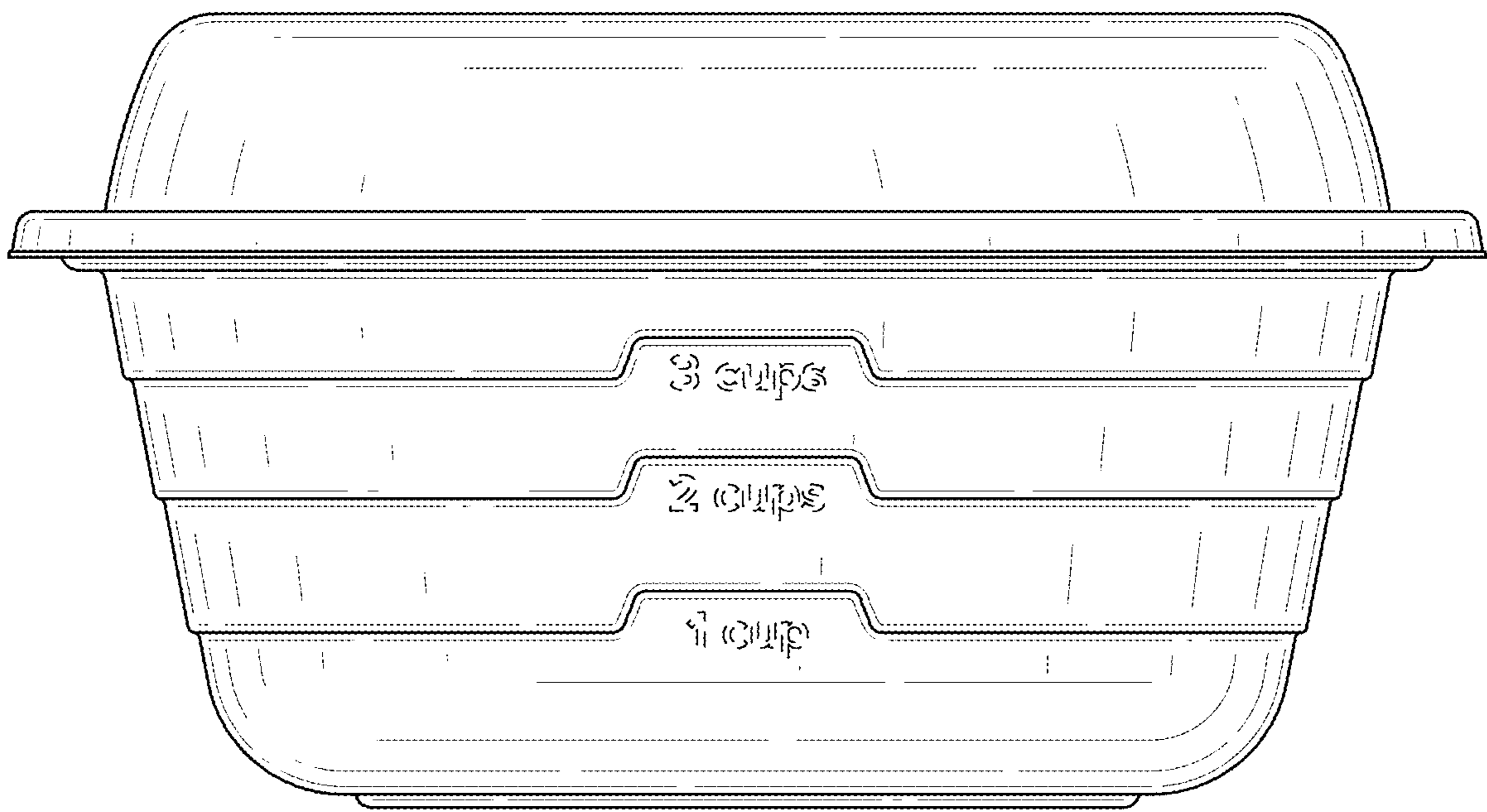


FIG.2

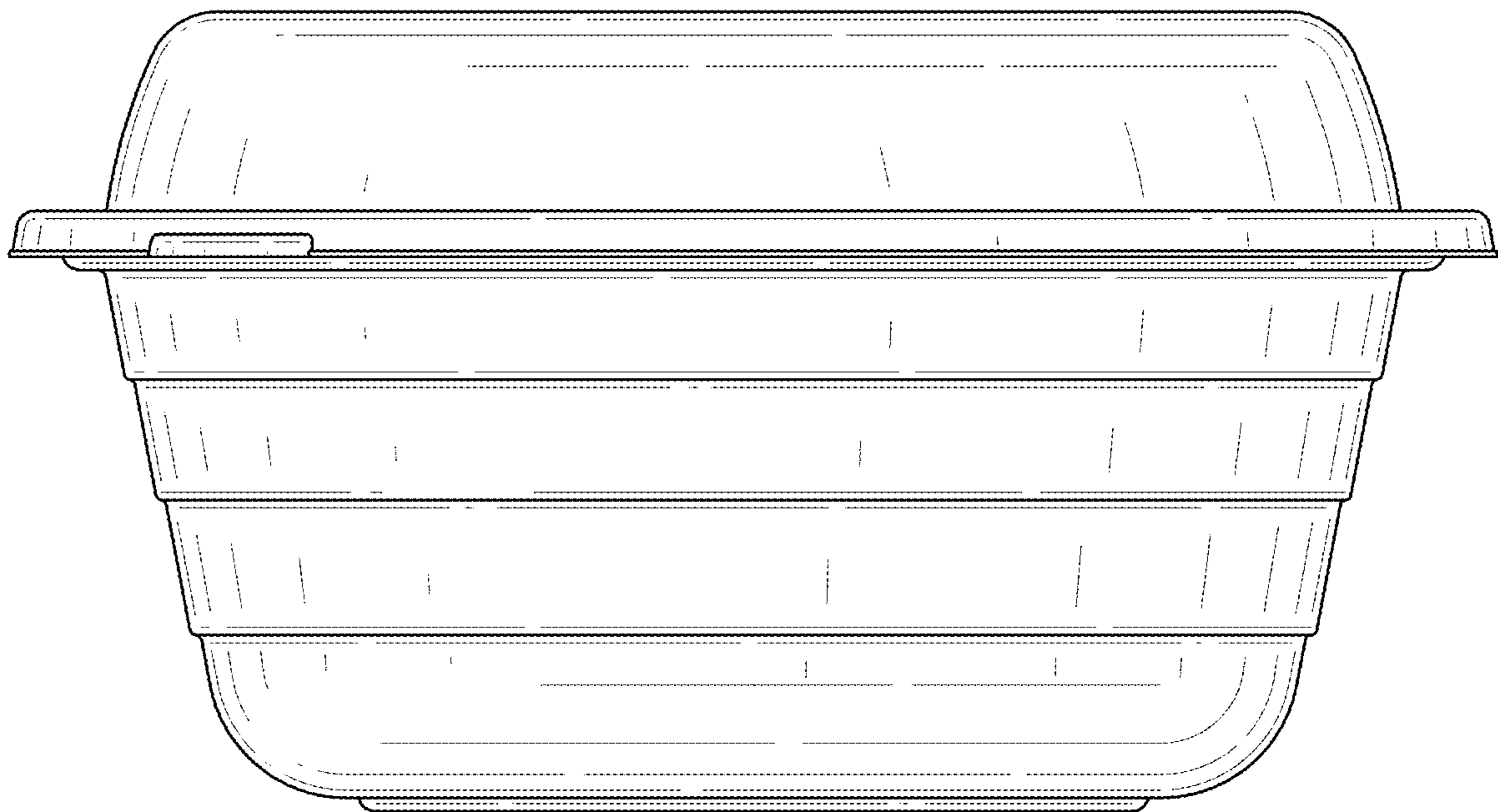


FIG.3

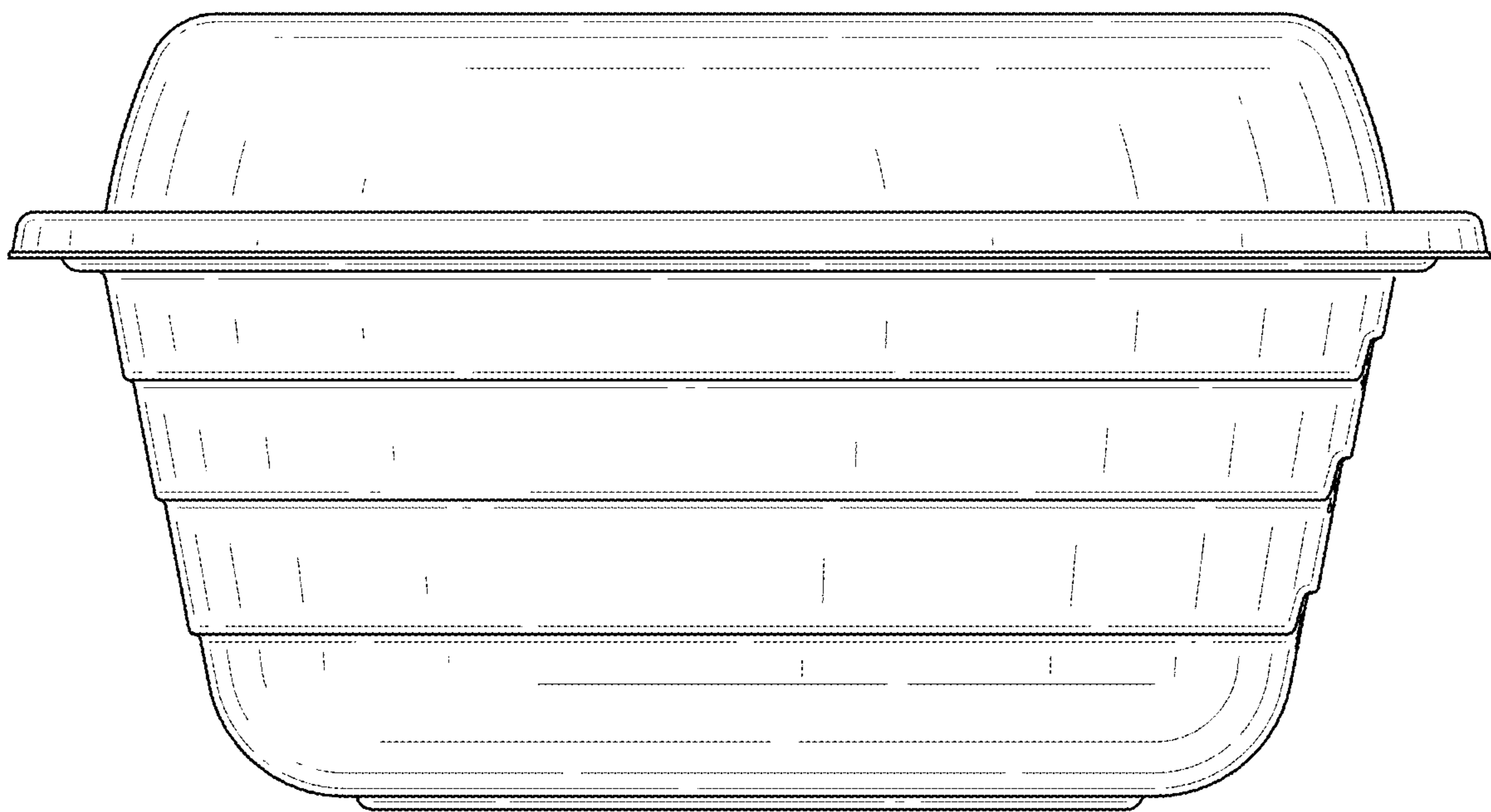


FIG.4

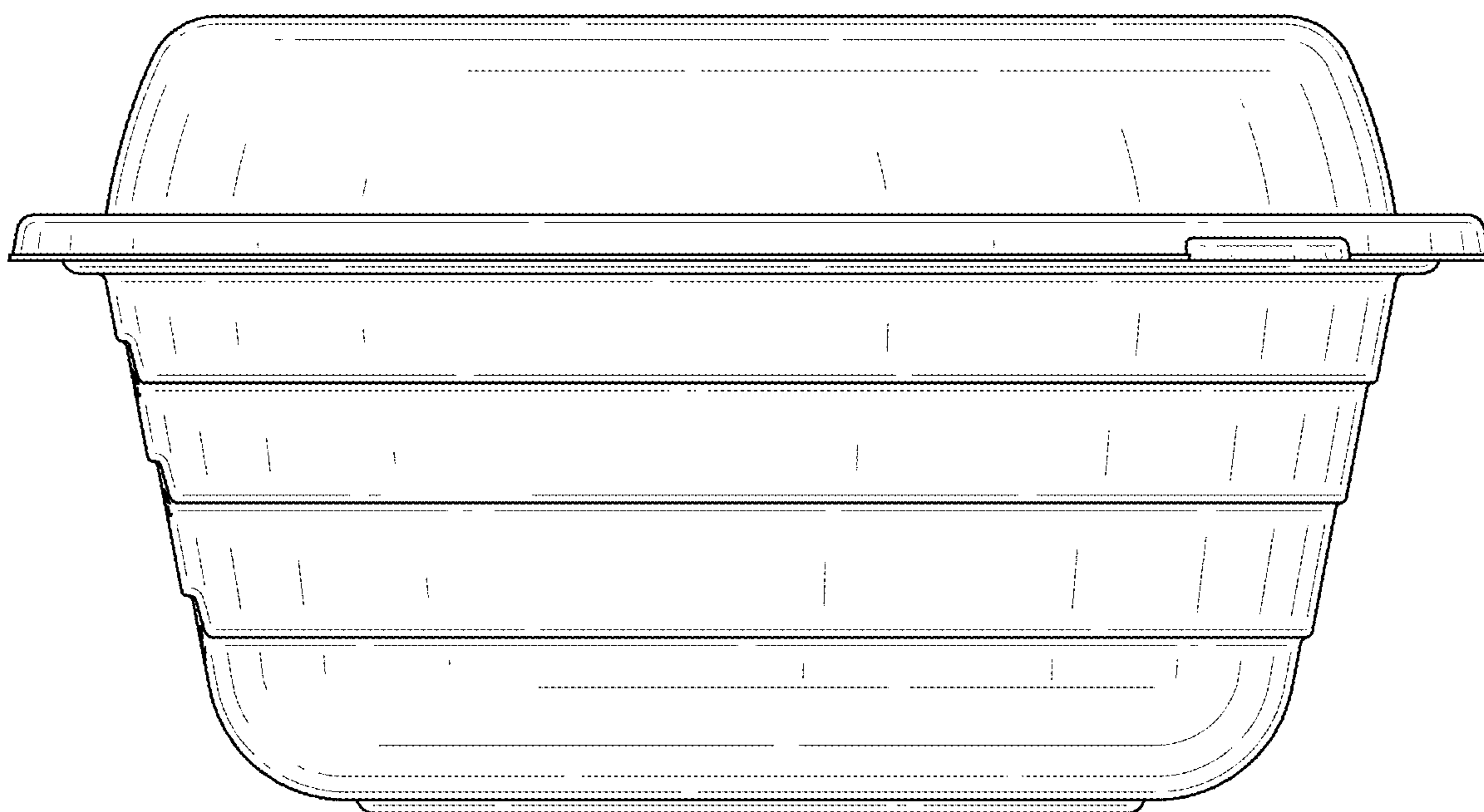


FIG.5

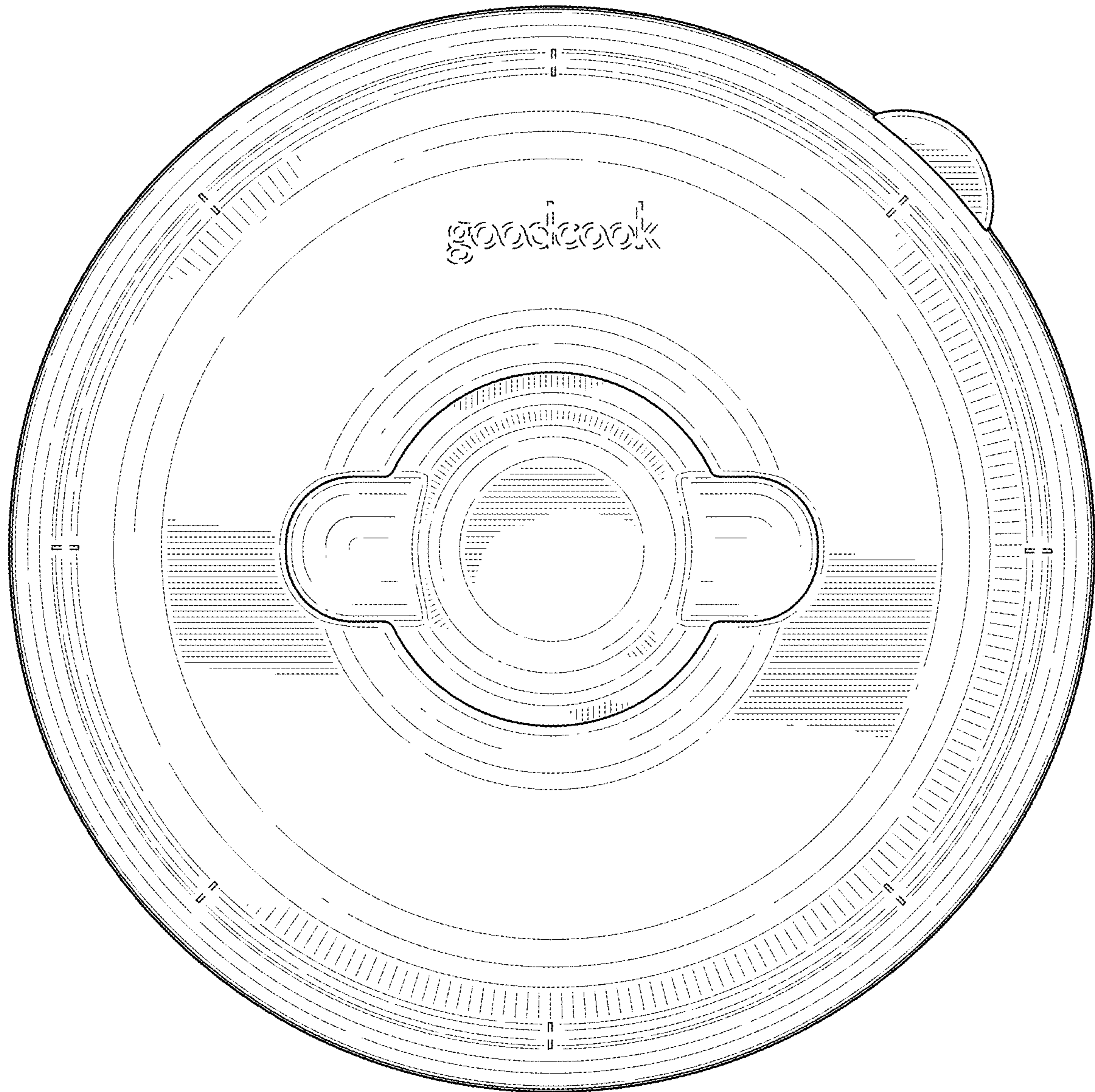


FIG. 6

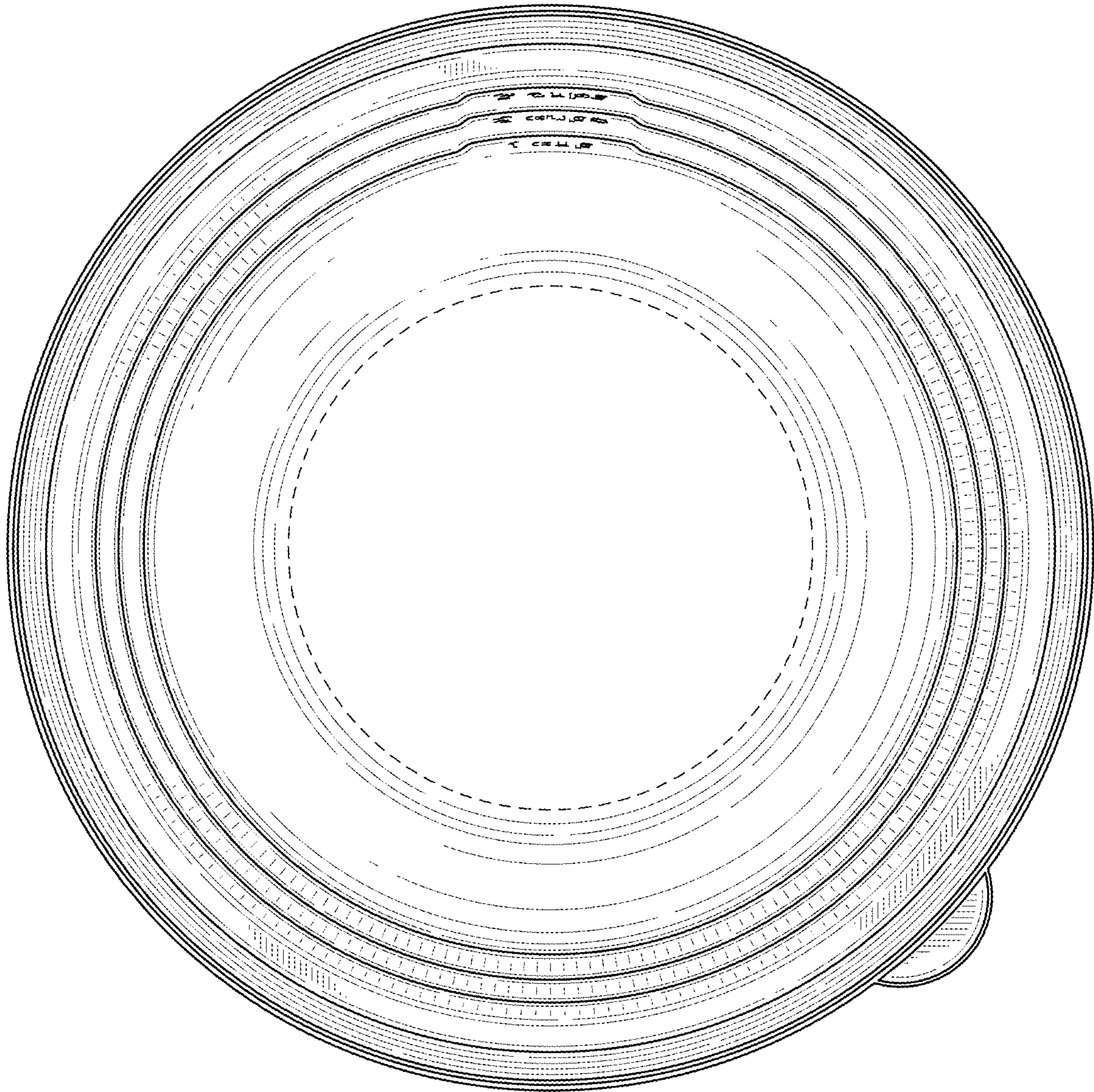


FIG.7

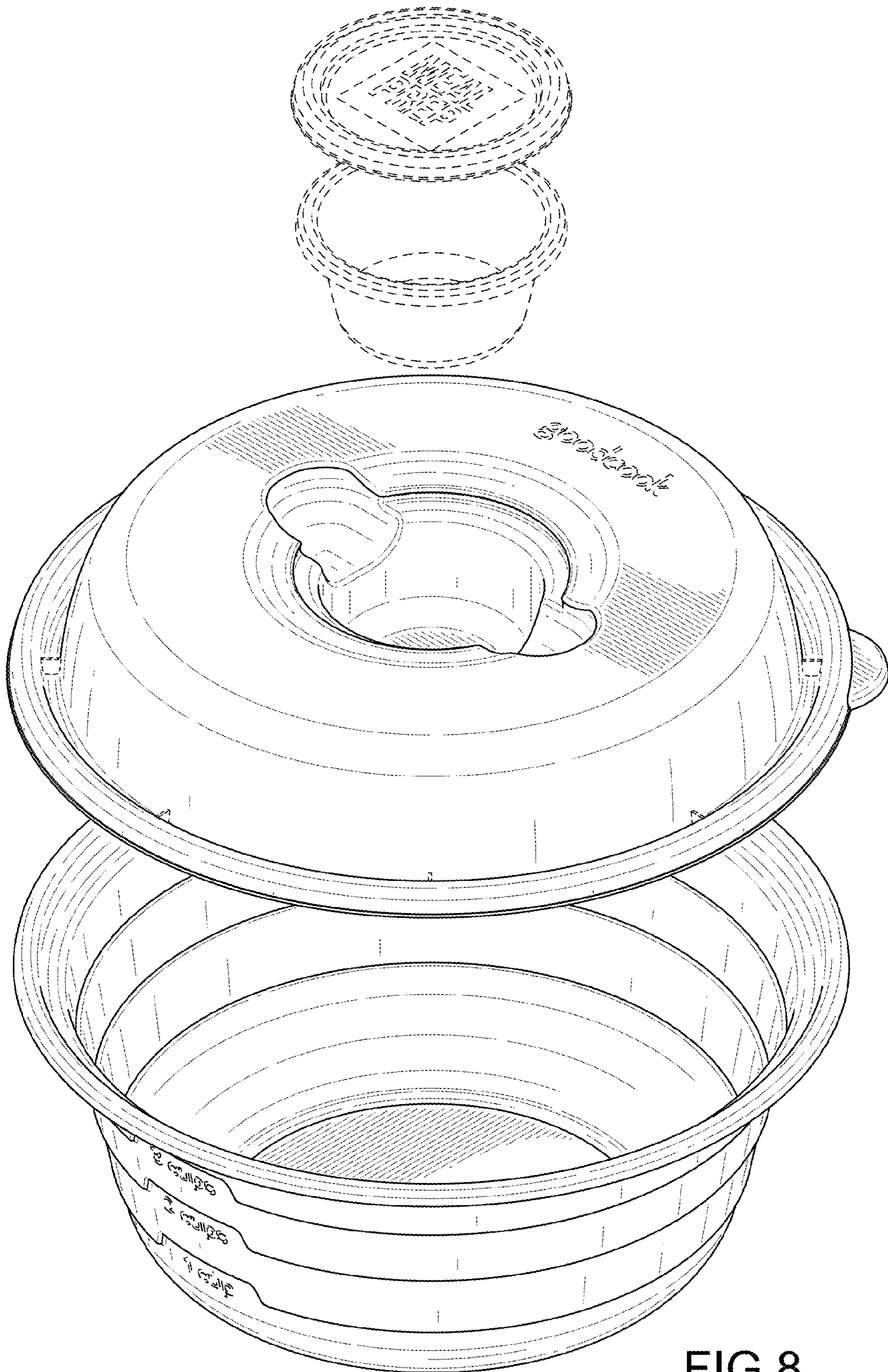


FIG.8

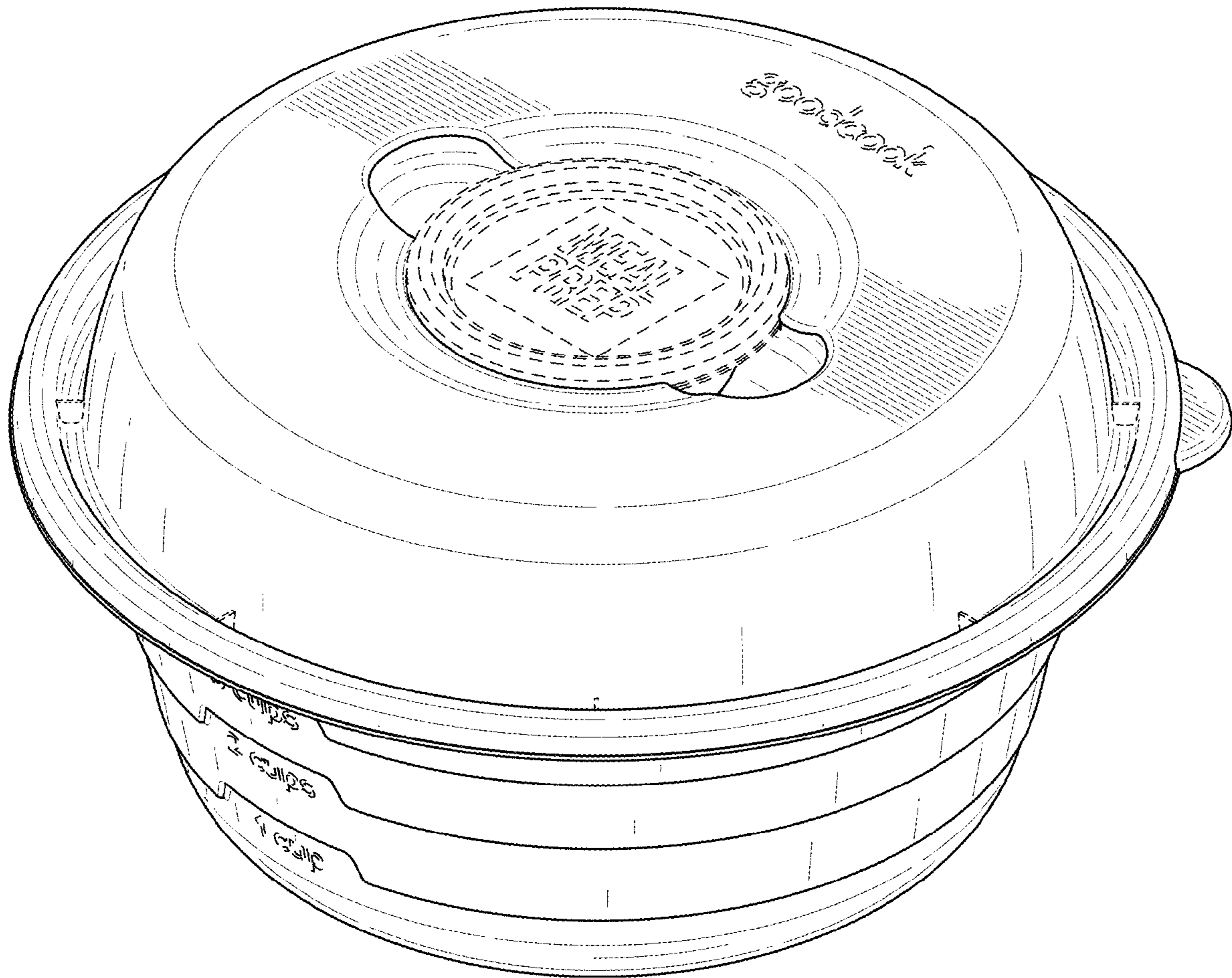


FIG.9

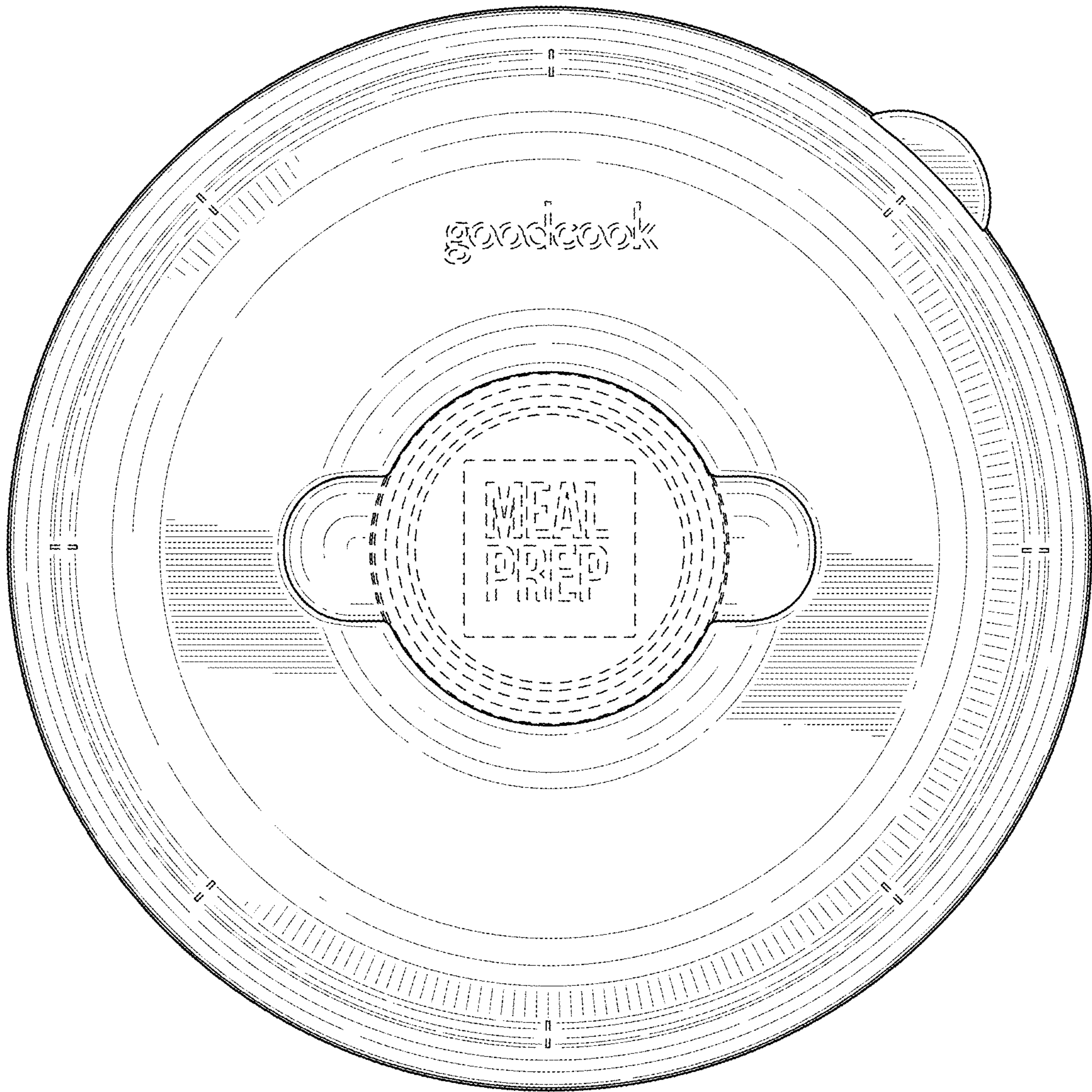


FIG.10