



US00D968174S

(12) **United States Design Patent** (10) **Patent No.:** **US D968,174 S**  
**Li** (45) **Date of Patent:** **\*\* Nov. 1, 2022**

(54) **LUNCH BOX**  
(71) Applicant: **Huaguang Li**, Zhongshan (CN)  
(72) Inventor: **Huaguang Li**, Zhongshan (CN)  
(\*\*) Term: **15 Years**

D893,166 S \* 8/2020 Lu ..... D3/201  
D898,664 S \* 10/2020 Bhutani ..... D13/108  
D913,292 S \* 3/2021 Brown ..... D14/440  
D918,138 S \* 5/2021 Ma ..... D13/108  
D919,565 S \* 5/2021 Liu ..... D13/108  
(Continued)

(21) Appl. No.: **29/728,634**  
(22) Filed: **Mar. 20, 2020**  
(51) **LOC (13) Cl.** ..... **09-07**  
(52) **U.S. Cl.**  
USPC ..... **D7/629**  
(58) **Field of Classification Search**  
USPC ..... D7/500, 511, 538, 550.1, 553.4–553.6,  
D7/554.2, 601, 605, 608, 629, 708, 710;  
D3/11, 201, 207, 212, 273, 294, 304, 901,  
D3/903–905; D9/767, 772, 781;  
D13/108  
CPC ..... A24F 23/00; A45C 11/20  
See application file for complete search history.

**FOREIGN PATENT DOCUMENTS**

CN 302140836 \* 10/2012  
CN 303576518 \* 2/2016  
(Continued)

**OTHER PUBLICATIONS**

Toronto Harvest Oval Bento Box, brand unlisted, aliciasanime.com, author unlisted, published on Sep. 26, 2020 per wayback machine © 2021, Alicia’s Anime, online, site visited Sep. 15, 2021. Available at URL: <https://www.aliciasanime.com/products/totoro-harvest-oval-bento-box-630ml> (Year: 2020).\*

*Primary Examiner* — Holly E Thurman  
*Assistant Examiner* — Altaira J Swangin  
(74) *Attorney, Agent, or Firm* — Jeenam Park

(56) **References Cited**

**U.S. PATENT DOCUMENTS**

1,737,249 A \* 11/1929 Kempter ..... B65D 25/2879  
220/772  
D276,400 S \* 11/1984 Daenen ..... D9/425  
D351,969 S \* 11/1994 Daenen ..... D7/603  
D407,974 S \* 4/1999 Zimmer ..... D9/428  
D486,995 S \* 2/2004 Liu ..... D7/502  
D551,516 S \* 9/2007 Kortleven ..... D7/629  
D586,557 S \* 2/2009 Jalet ..... D3/294  
D603,565 S \* 11/2009 Fick ..... D30/129  
D717,166 S \* 11/2014 Lee ..... D9/432  
D763,576 S \* 8/2016 Leblanc ..... D3/289  
D817,113 S \* 5/2018 Wong ..... D7/629  
D850,224 S \* 6/2019 James ..... D7/701  
D853,357 S \* 7/2019 Li ..... D14/217  
D868,453 S \* 12/2019 Lee ..... D3/201  
D869,161 S \* 12/2019 Zhong ..... D3/294  
D891,774 S \* 8/2020 Yu ..... D3/294  
D892,499 S \* 8/2020 Wright ..... D3/303

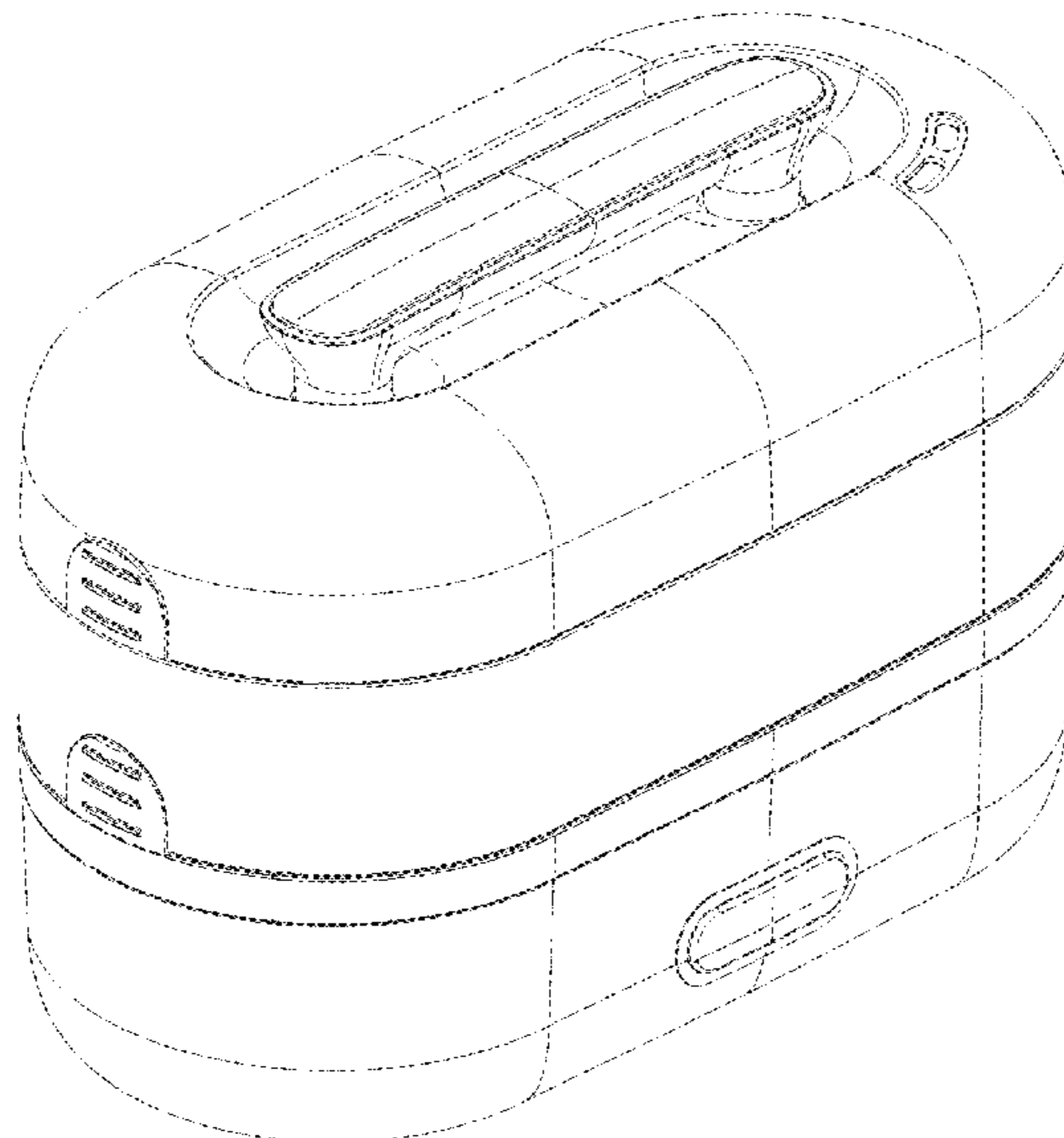
(57) **CLAIM**

The ornamental design for a lunch box, as shown and described.

**DESCRIPTION**

FIG. 1 is a perspective view of a lunch box;  
FIG. 2 is a front elevational view thereof;  
FIG. 3 is a rear elevational view thereof;  
FIG. 4 is a left elevational view thereof;  
FIG. 5 is a right elevational view thereof;  
FIG. 6 is a top plan view thereof; and,  
FIG. 7 is a bottom plan view thereof.  
The broken lines shown in the drawings illustrate portions of the lunch box that form no part of the claimed design.

**1 Claim, 7 Drawing Sheets**



(56)

References Cited

U.S. PATENT DOCUMENTS

D927,417 S \* 8/2021 Sretovic ..... D13/108  
D927,465 S \* 8/2021 Wang ..... D14/223  
D930,361 S \* 9/2021 Jacobs ..... D3/294  
D931,258 S \* 9/2021 Ding ..... D14/223  
D934,563 S \* 11/2021 Xiang ..... D3/294  
D935,179 S \* 11/2021 Liu ..... D3/294  
D935,772 S \* 11/2021 Chen ..... D3/294  
D939,829 S \* 1/2022 Goldstein ..... D3/294  
D939,830 S \* 1/2022 Laffon de Mazieres ..... D3/294  
D940,456 S \* 1/2022 Waggoner ..... D3/294  
D941,762 S \* 1/2022 Ye ..... D3/294  
D942,381 S \* 2/2022 Ruan ..... D3/294  
D942,386 S \* 2/2022 Chen ..... D3/294  
D942,387 S \* 2/2022 Chen ..... D3/294  
D944,011 S \* 2/2022 Wright ..... D3/273  
D944,197 S \* 2/2022 Li ..... D14/223  
D949,786 S \* 4/2022 Hachiri ..... D3/294  
D950,488 S \* 5/2022 Ruan ..... D3/294  
2008/0317274 A1 \* 12/2008 Kim ..... H04R 1/1058  
381/370  
2021/0058687 A1 \* 2/2021 Liu ..... H04R 1/02  
2022/0000174 A1 \* 1/2022 Wu ..... A24F 15/10

FOREIGN PATENT DOCUMENTS

CN 303594902 \* 2/2016  
CN 305074358 \* 3/2019

\* cited by examiner

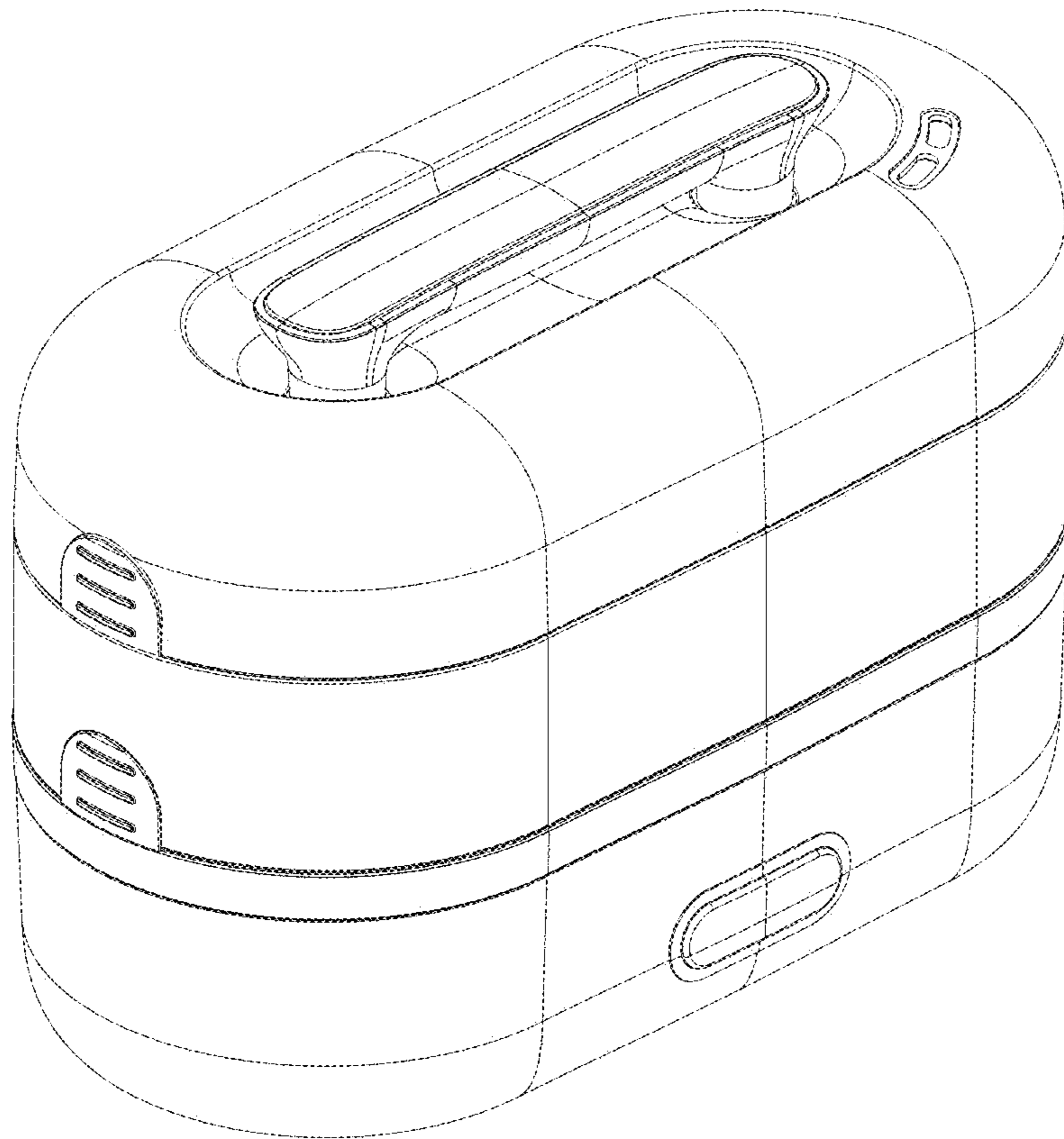


FIG. 1

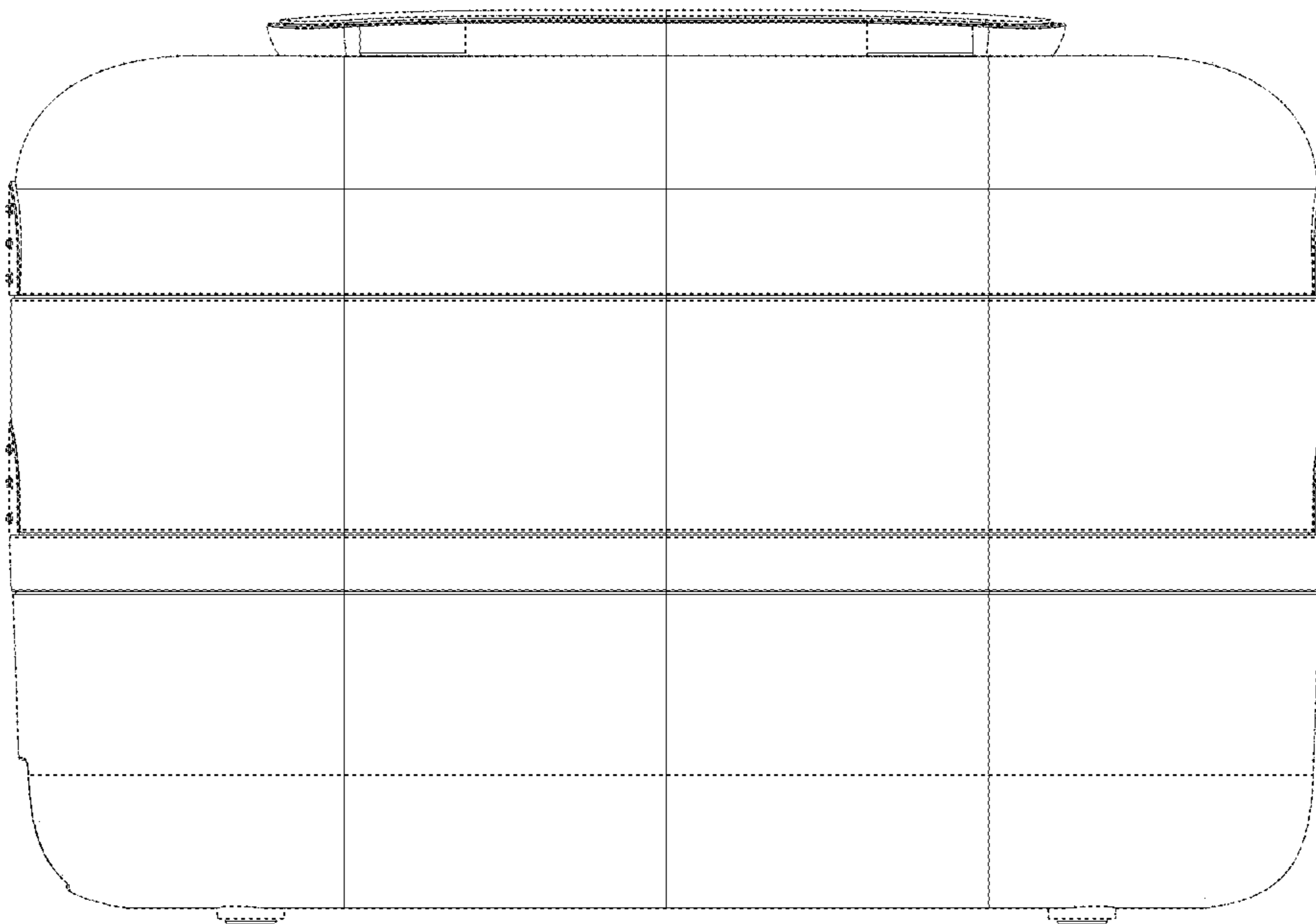


FIG. 2

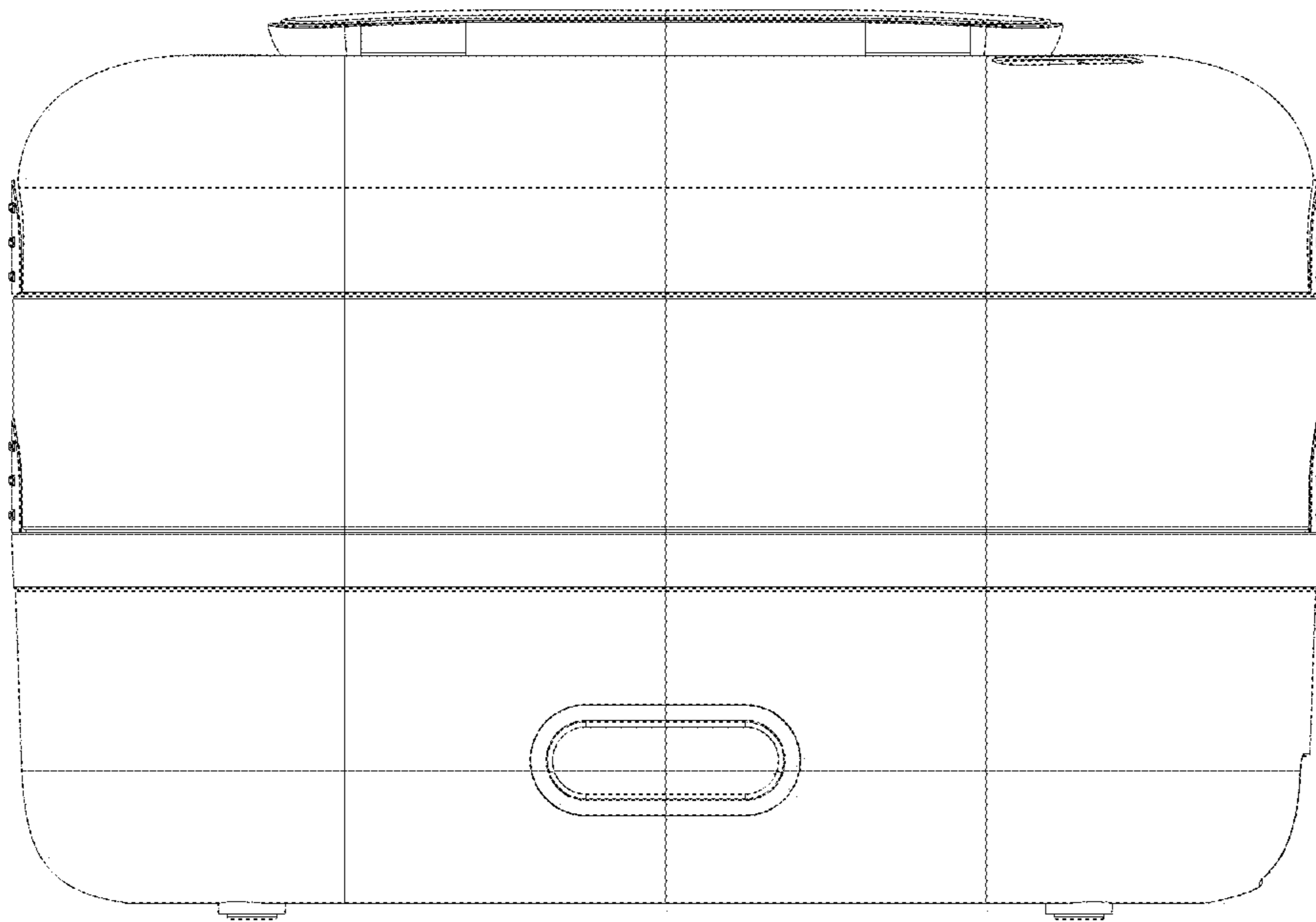


FIG. 3

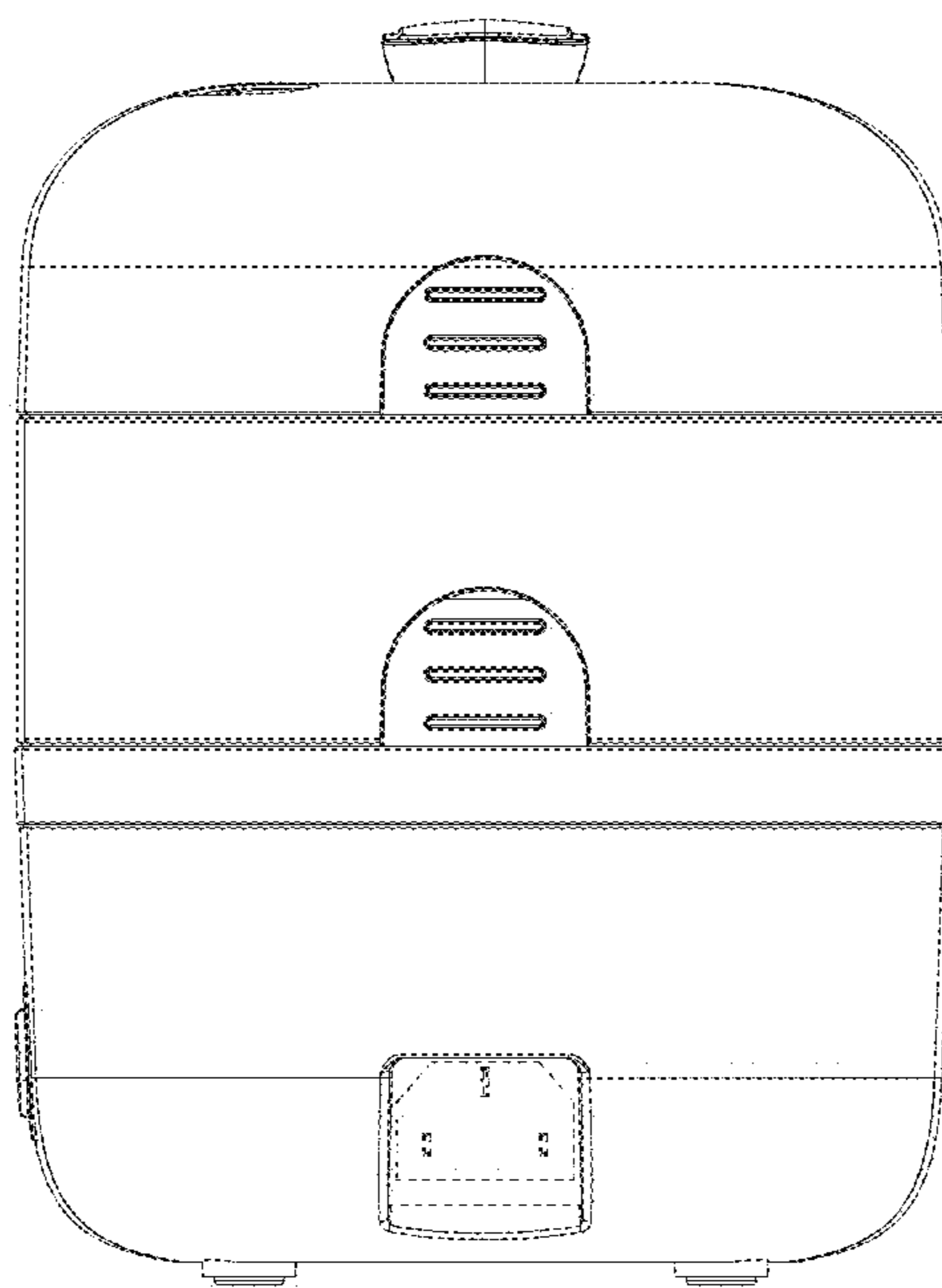


FIG. 4

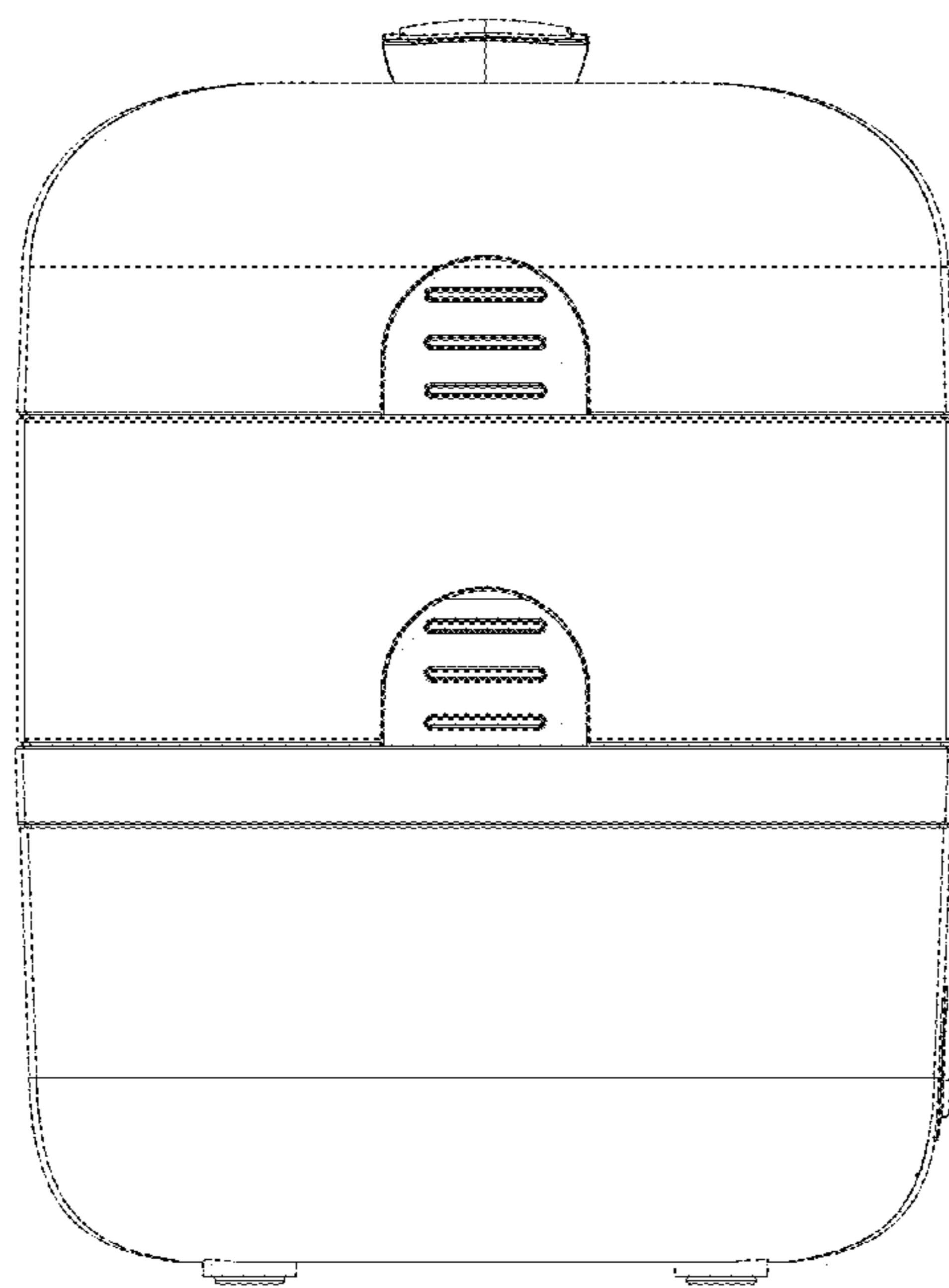


FIG. 5

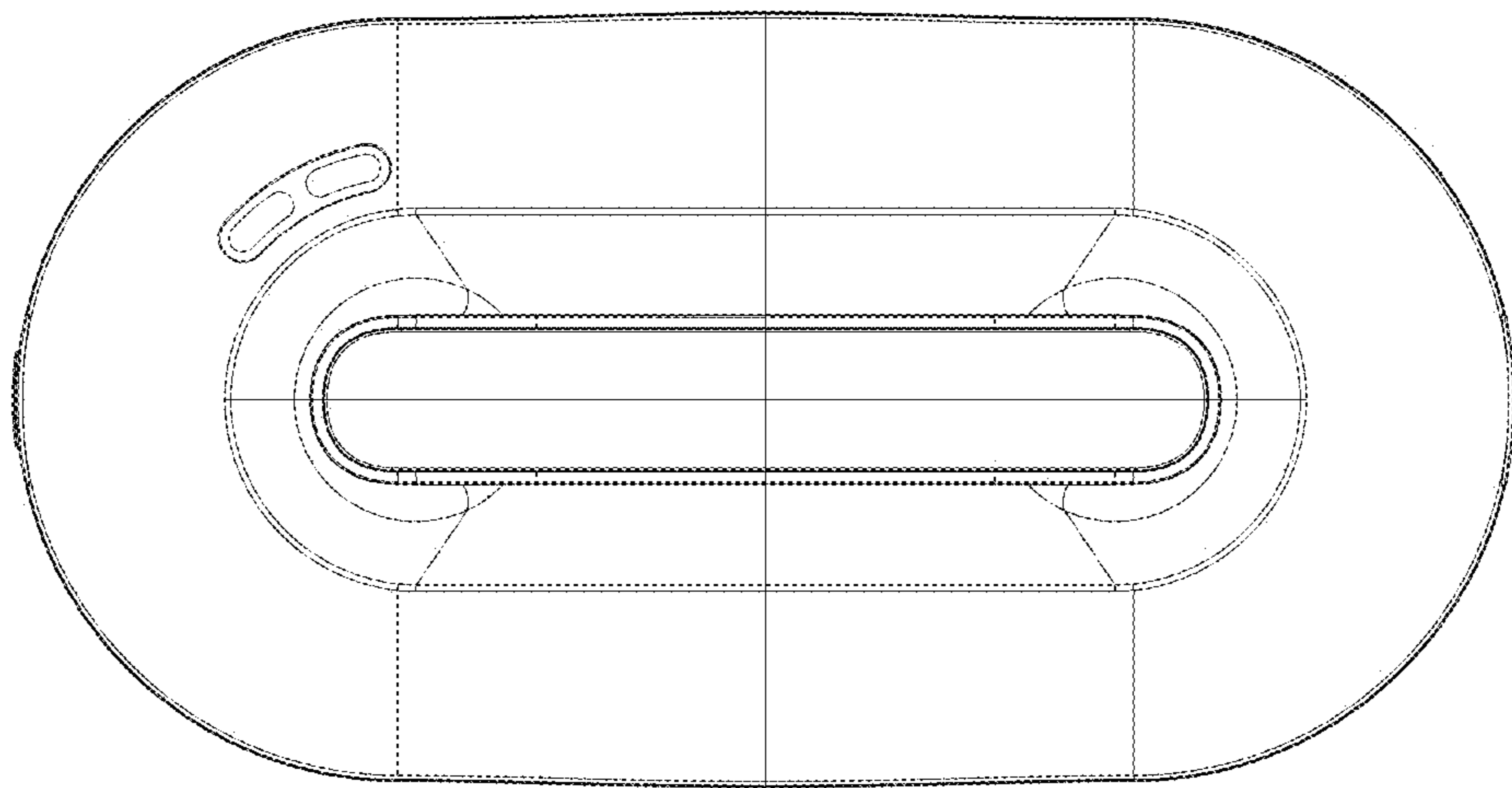


FIG. 6



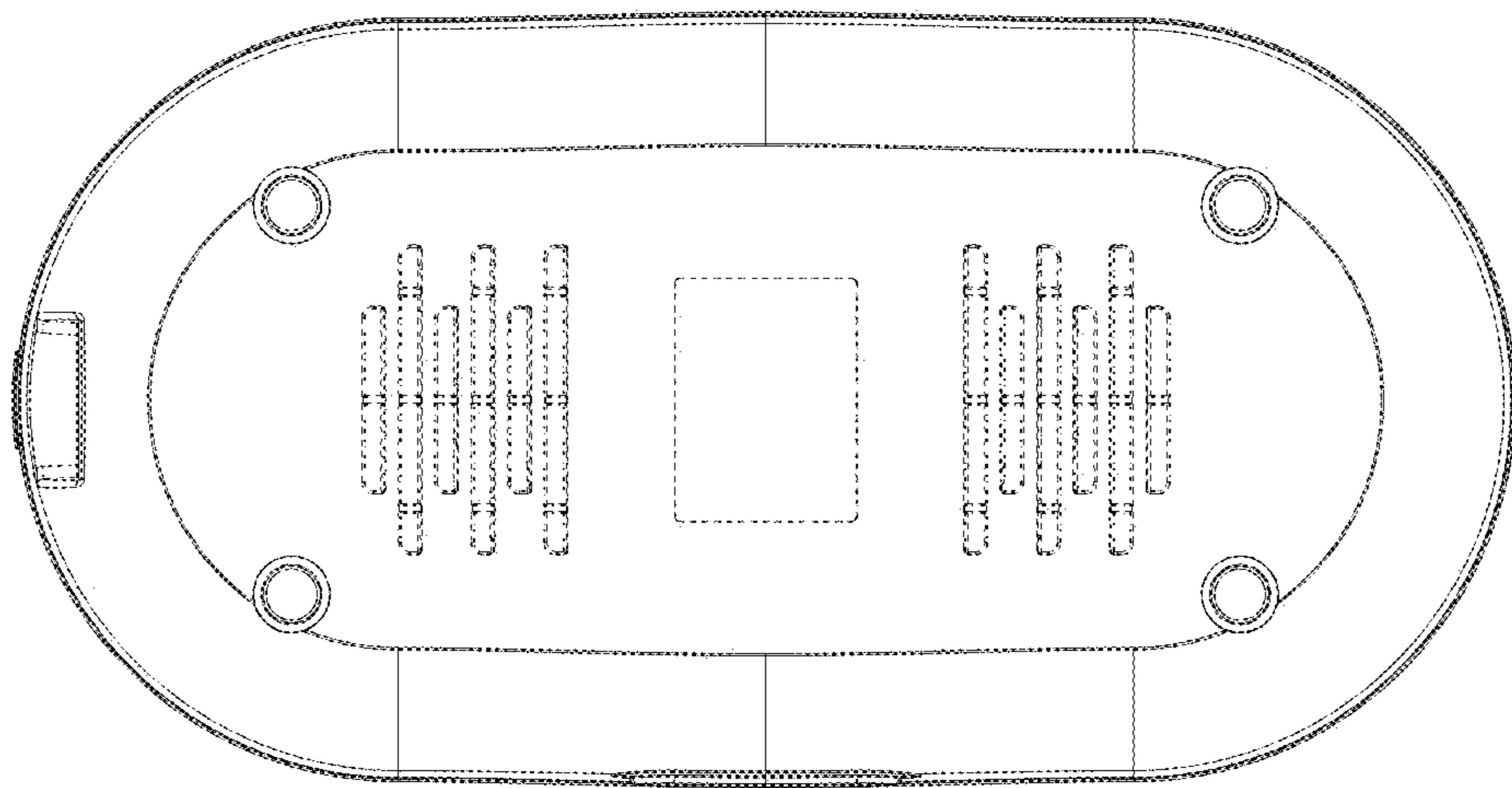


FIG. 7