



US00D968173S

(12) **United States Design Patent** (10) **Patent No.:** **US D968,173 S**  
**Koide** (45) **Date of Patent:** **\*\* Nov. 1, 2022**

- (54) **WATER BOTTLE**
- (71) Applicant: **KINTO Co., Ltd.**, Hikone (JP)
- (72) Inventor: **Miki Koide**, Tokyo (JP)
- (73) Assignee: **KINTO Co., Ltd.**, Hikone (JP)
- (\*\*) Term: **15 Years**
- (21) Appl. No.: **29/744,091**
- (22) Filed: **Jul. 27, 2020**
- (51) **LOC (13) Cl.** ..... **07-09**
- (52) **U.S. Cl.**  
USPC ..... **D7/622**
- (58) **Field of Classification Search**  
USPC ..... D7/300, 313, 316, 507, 509, 510, 511,  
D7/560, 602, 605, 608, 619, 622;  
D9/443, 449, 450, 500, 502, 505, 510,  
D9/511, 512, 520, 528, 531, 537, 538,  
D9/540, 549, 560, 570, 622  
CPC ..... A45F 3/16; A45F 2200/0583; A47G  
19/2205; A47G 23/16; A47G 19/2272;  
A47G 19/2288; A47G 19/23; A47J 41/00;  
A47J 43/00; A47J 47/00; A47J 47/02;  
A47J 47/08; B65D 1/265; B65D 81/3865;  
B65D 81/3453; B65D 2205/00; B65D  
3/22; B65D 47/122  
See application file for complete search history.

(56) **References Cited**

**U.S. PATENT DOCUMENTS**

D626,416 S	*	11/2010	Cresswell	.....	D9/503
D627,601 S	*	11/2010	Eyal	.....	D9/503
D627,602 S	*	11/2010	Eyal	.....	G16H 20/60
					D9/504
D628,486 S	*	12/2010	Lane	.....	D9/503
D633,338 S	*	3/2011	Rosbach	.....	D9/503
D635,457 S	*	4/2011	Lane	.....	D9/503
D647,407 S	*	10/2011	Toh	.....	D9/688
D668,913 S	*	10/2012	Mayer	.....	D7/510

(Continued)

*Primary Examiner* — Joseph Kukella  
*Assistant Examiner* — Darryl J Dardenne  
(74) *Attorney, Agent, or Firm* — Stetina Brunda Garred and Brucker

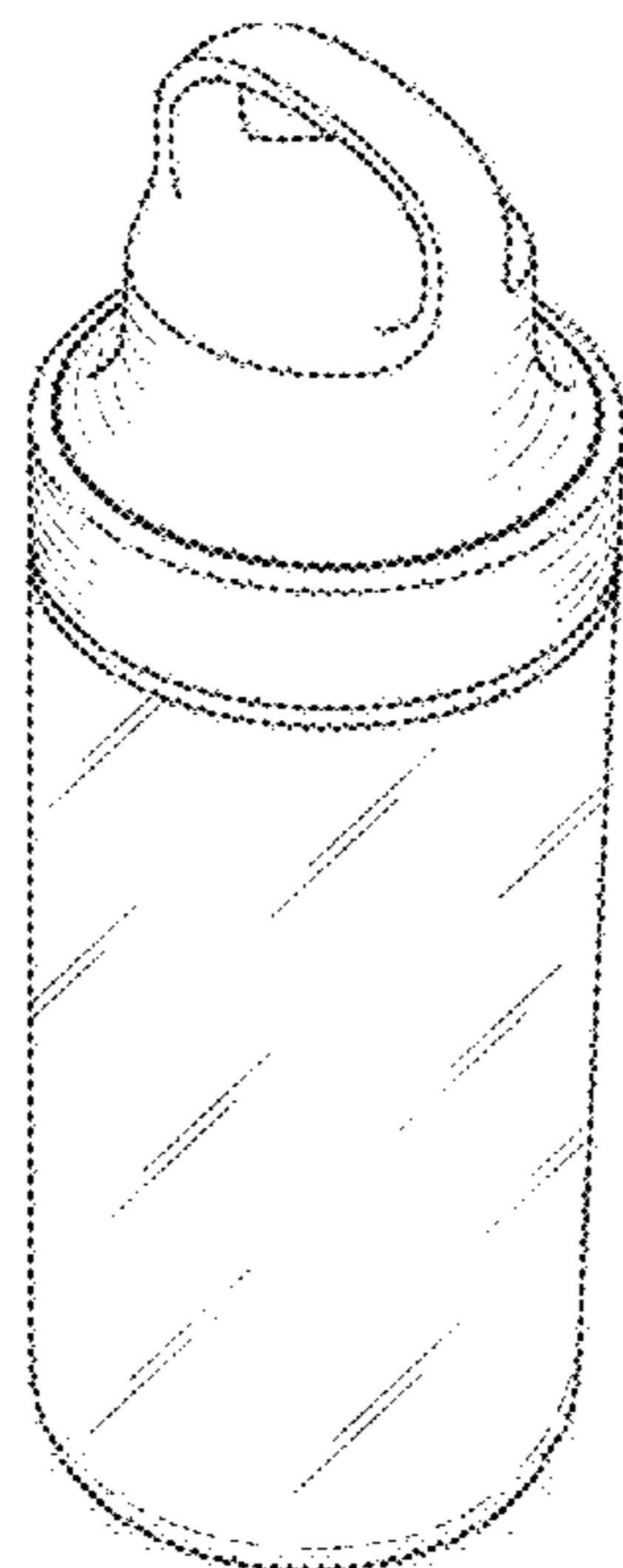
(57) **CLAIM**

The ornamental design for a water bottle, as shown and described.

**DESCRIPTION**

FIG. 1 is a top perspective view of the water bottle of the present invention;  
 FIG. 2 is a top view of the water bottle of FIG. 1;  
 FIG. 3 is a bottom view of the water bottle of FIG. 1;  
 FIG. 4 is a front view of the water bottle of FIG. 1;  
 FIG. 5 is a back view of the water bottle of FIG. 1;  
 FIG. 6 is a left side view of the water bottle of FIG. 1;  
 FIG. 7 is a right side view of the water bottle of FIG. 1.  
 FIG. 8 is a front view of the water bottle of FIG. 1 with a bottle portion indicated in hatched lining to indicate transparency;  
 FIG. 9 is an exploded top perspective view of the water bottle of FIG. 1 with a lid exploded from a bottom portion;  
 FIG. 10 is a bottom perspective view of the lid of FIG. 9 shown separately for clarity of illustration of the claim;  
 FIG. 11 is a top view of the bottle portion of FIG. 9 shown separately for clarity of illustration of the claim;  
 FIG. 12 is a front view of the bottle portion of FIG. 9 shown separately for clarity of illustration of the claim;  
 FIG. 13 is a top view of the lid of FIG. 9 shown separately for clarity of illustration of the claim;  
 FIG. 14 is a bottom view of the lid of FIG. 9 shown separately for clarity of illustration of the claim;  
 FIG. 15 is a front view of the lid of FIG. 9 shown separately for clarity of illustration of the claim; and,  
 FIG. 16 is a side view of the lid of FIG. 9 shown separately for clarity of illustration of the claim.

**1 Claim, 7 Drawing Sheets**



(56)

**References Cited**

U.S. PATENT DOCUMENTS

D675,100	S	*	1/2013	Herbst	.....	D9/504
D702,506	S	*	4/2014	Mettler	.....	D9/504
D708,954	S	*	7/2014	Barnes	.....	D9/504
D806,568	S	*	1/2018	Chen	.....	D9/504
D813,613	S	*	3/2018	Wall	.....	D7/608
D841,391	S	*	2/2019	Papé	.....	D7/391
D856,757	S	*	8/2019	Seiders	.....	D9/504
D866,260	S	*	11/2019	Jacobsen	.....	D7/511
D867,067	S	*	11/2019	Jacobsen	.....	D7/511
D881,649	S	*	4/2020	Fleischhut	.....	D7/510
D919,377	S	*	5/2021	Seiders	.....	D7/608
D930,437	S	*	9/2021	Paparao	.....	D7/510
D932,246	S	*	10/2021	Lee	.....	D7/511
2016/0003615	A1	*	1/2016	Biswas	.....	G16H 20/60 702/151

\* cited by examiner

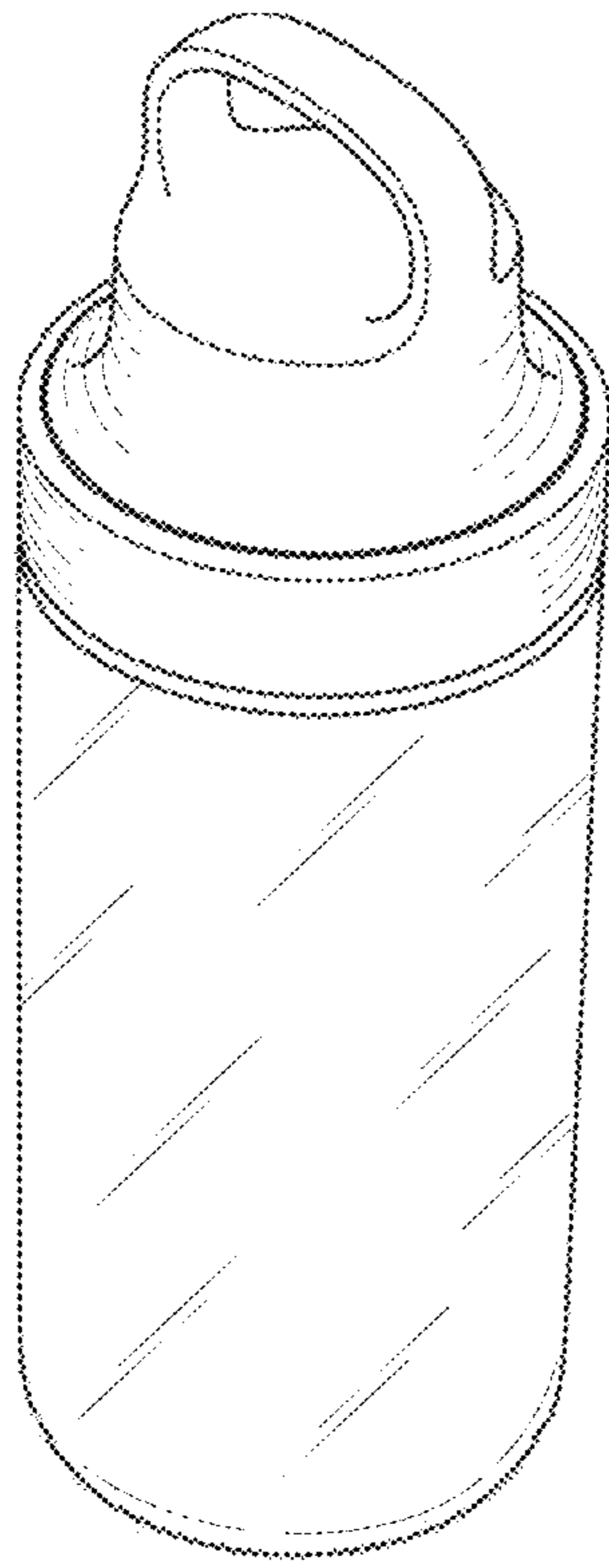


FIG. 1

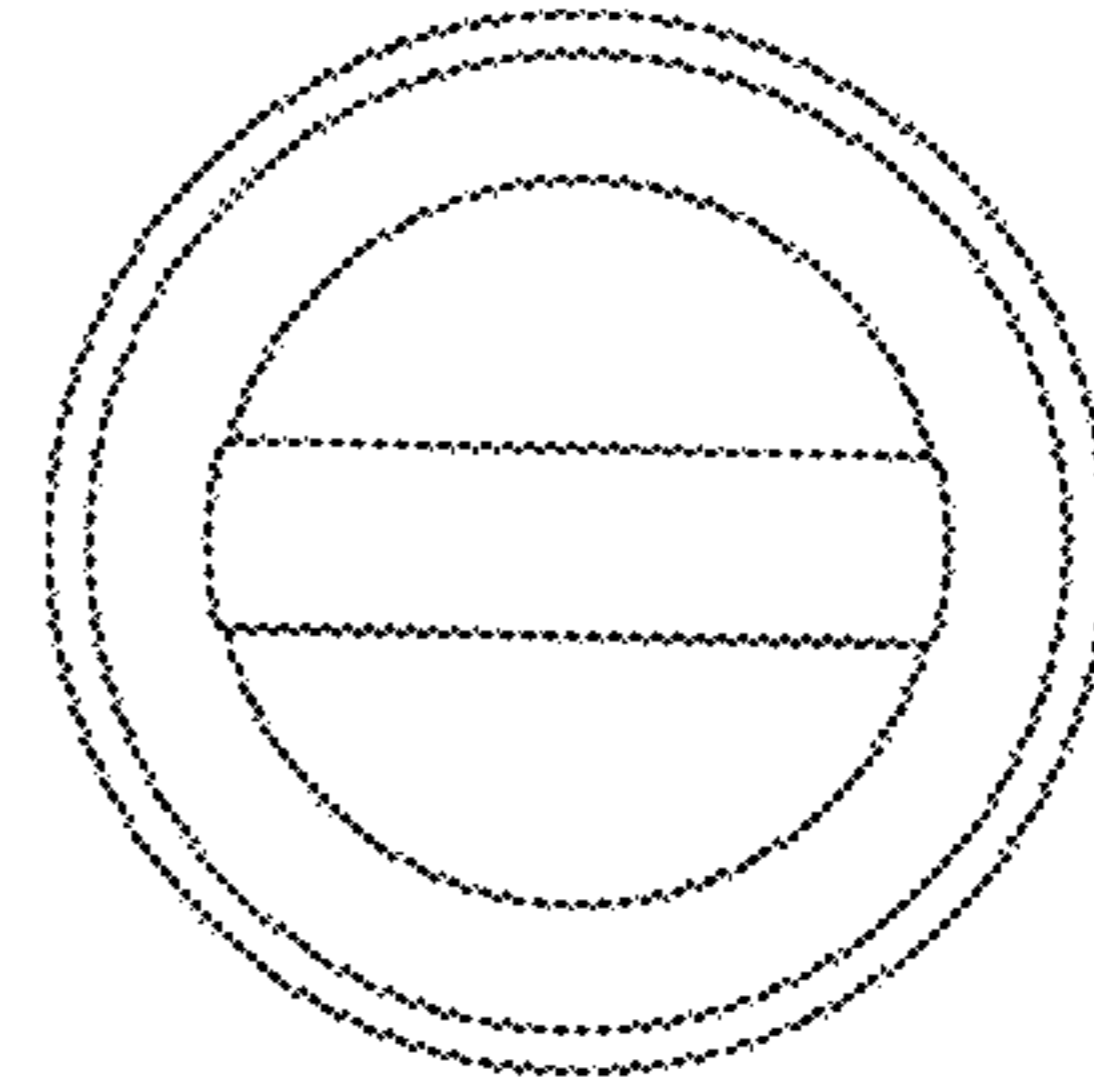


FIG. 2

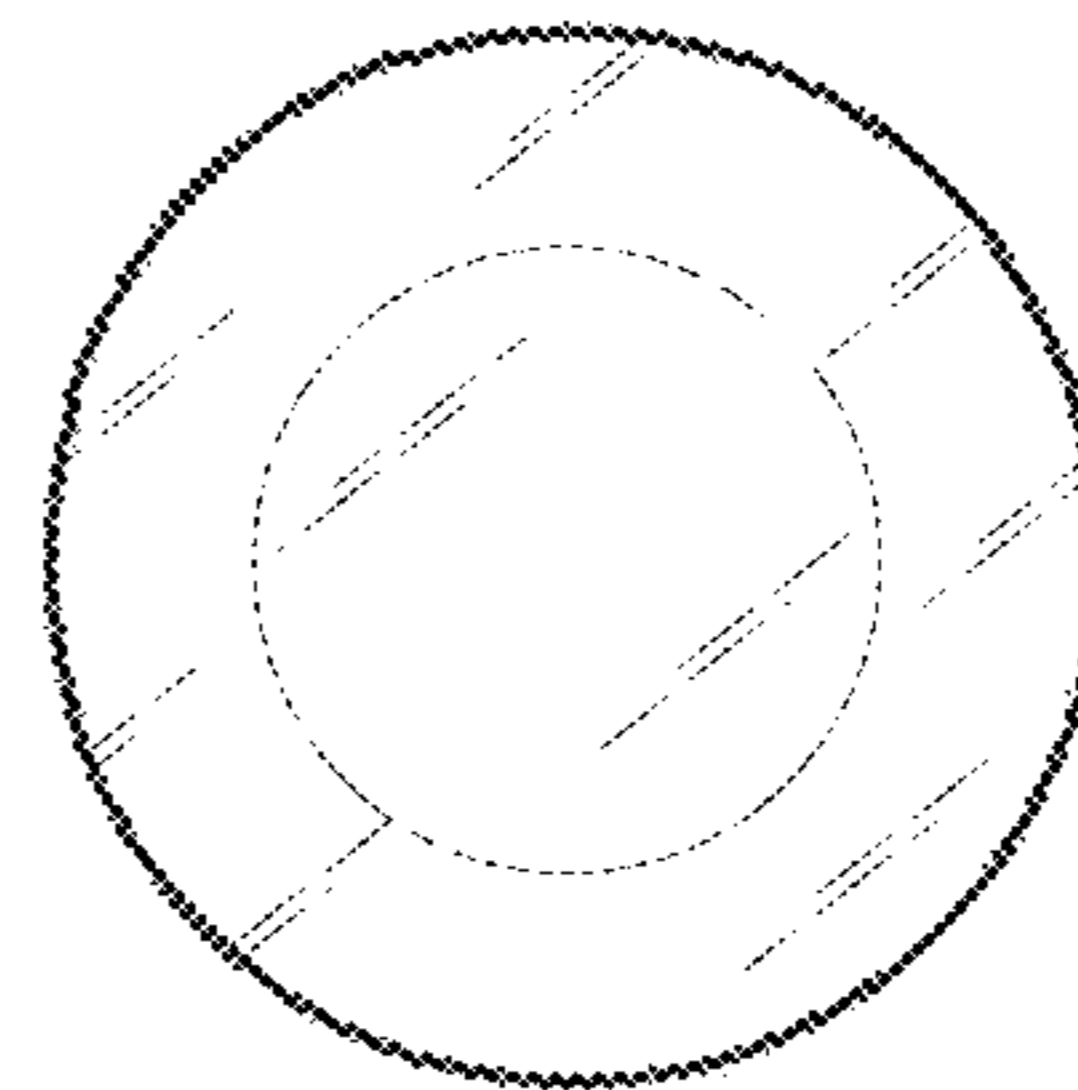


FIG. 3

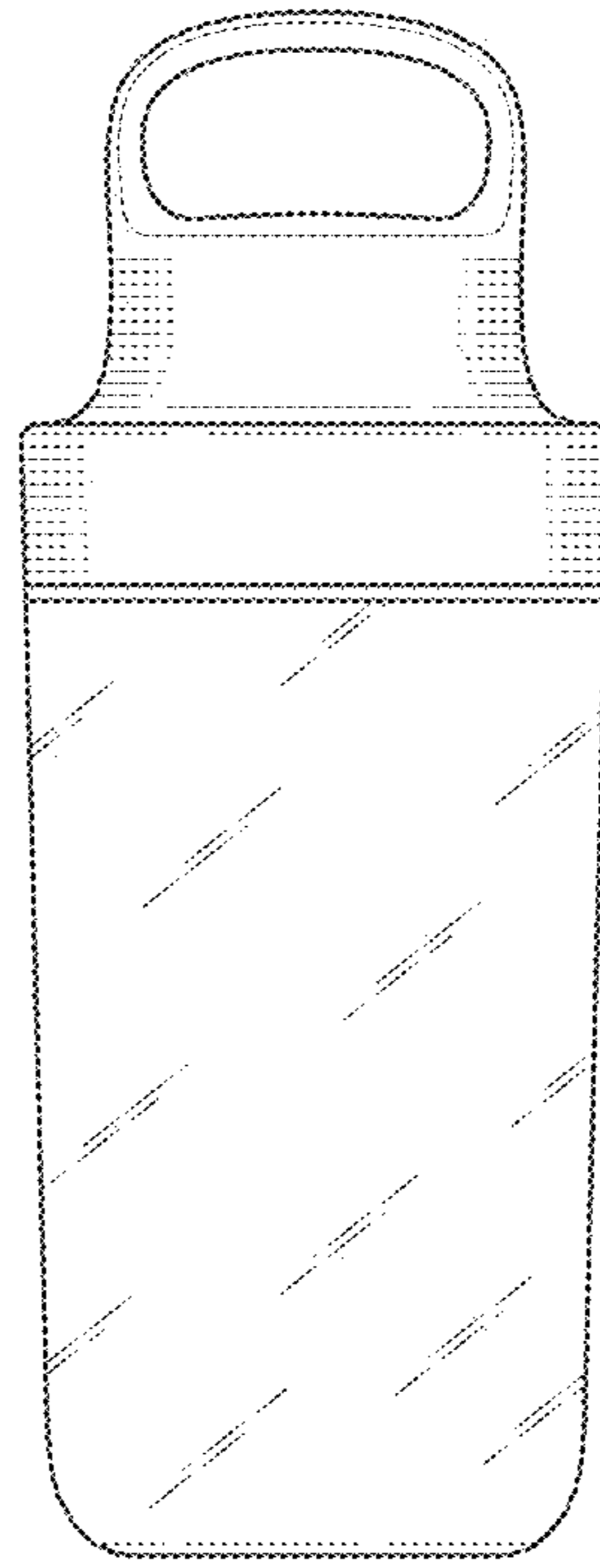


FIG. 4

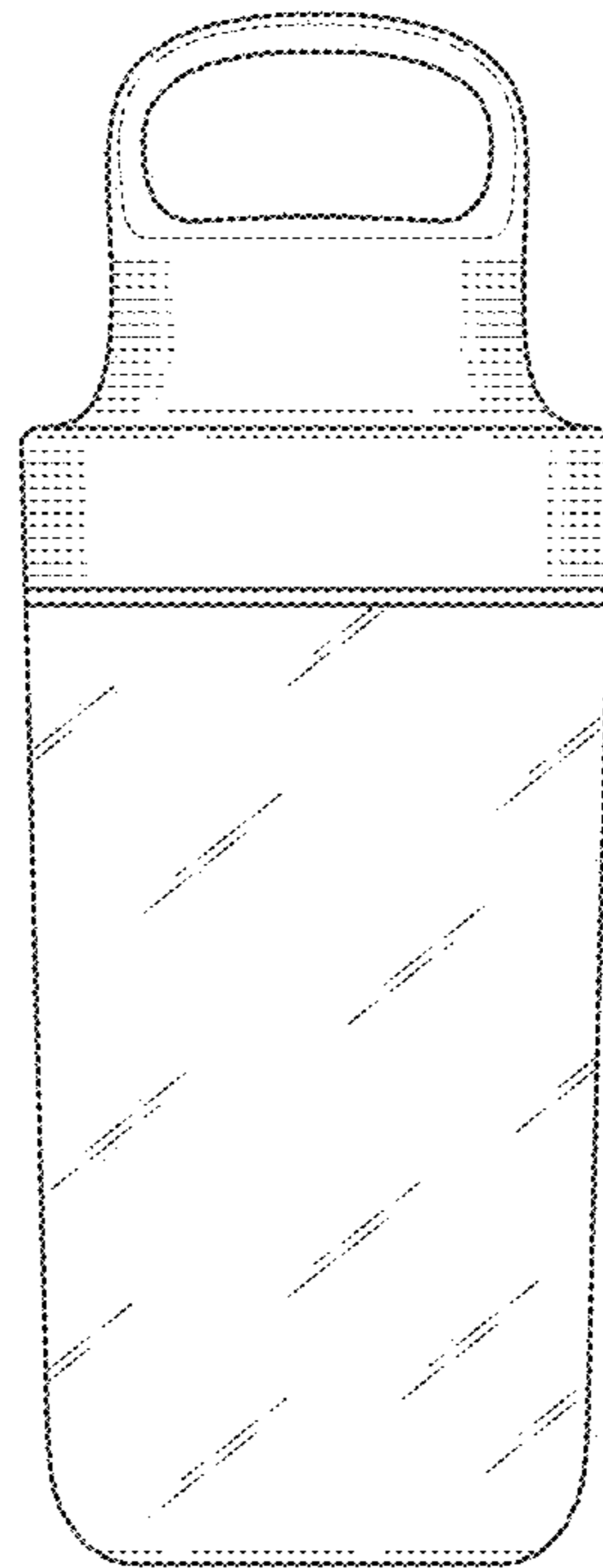


FIG. 5

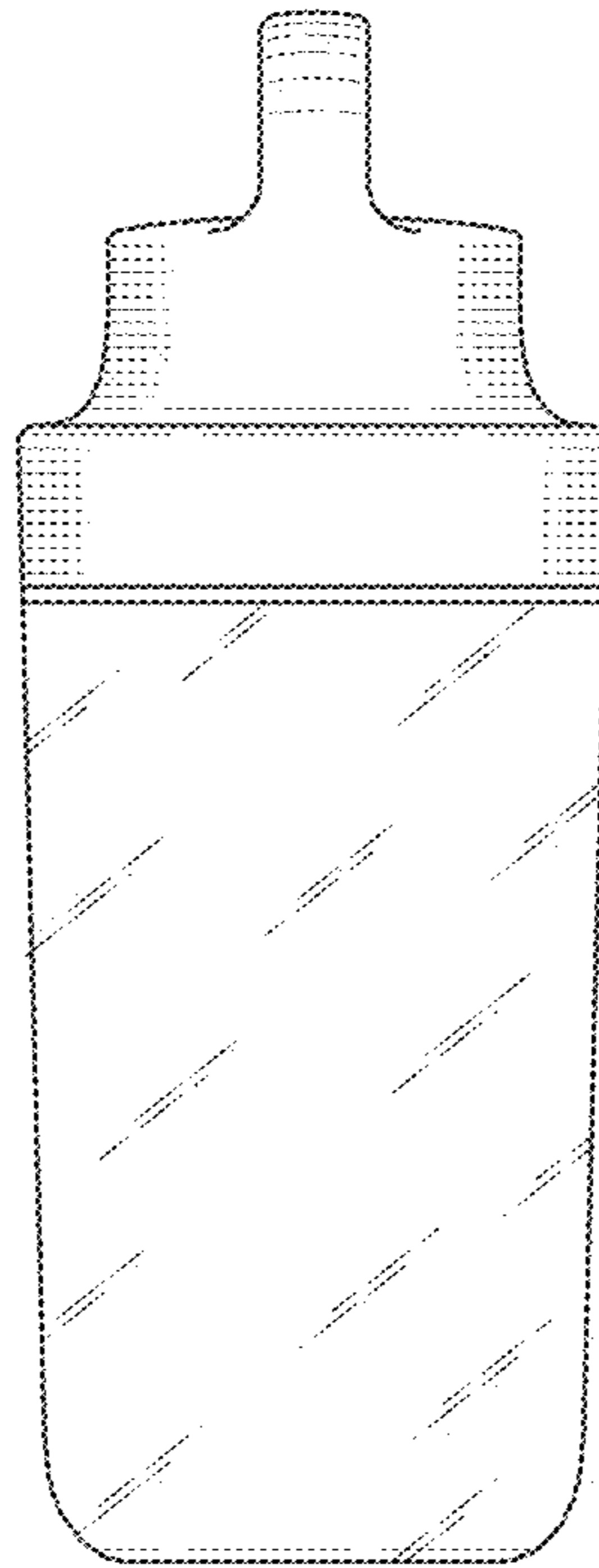


FIG. 6

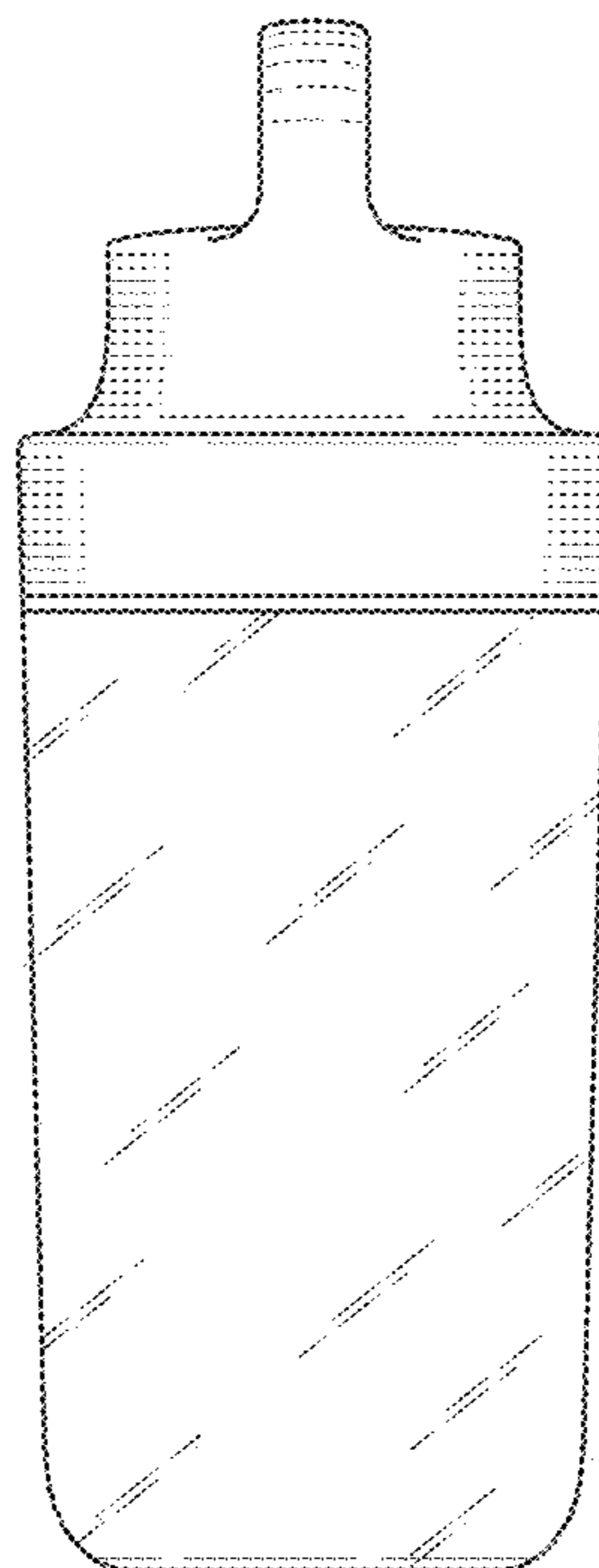


FIG. 7

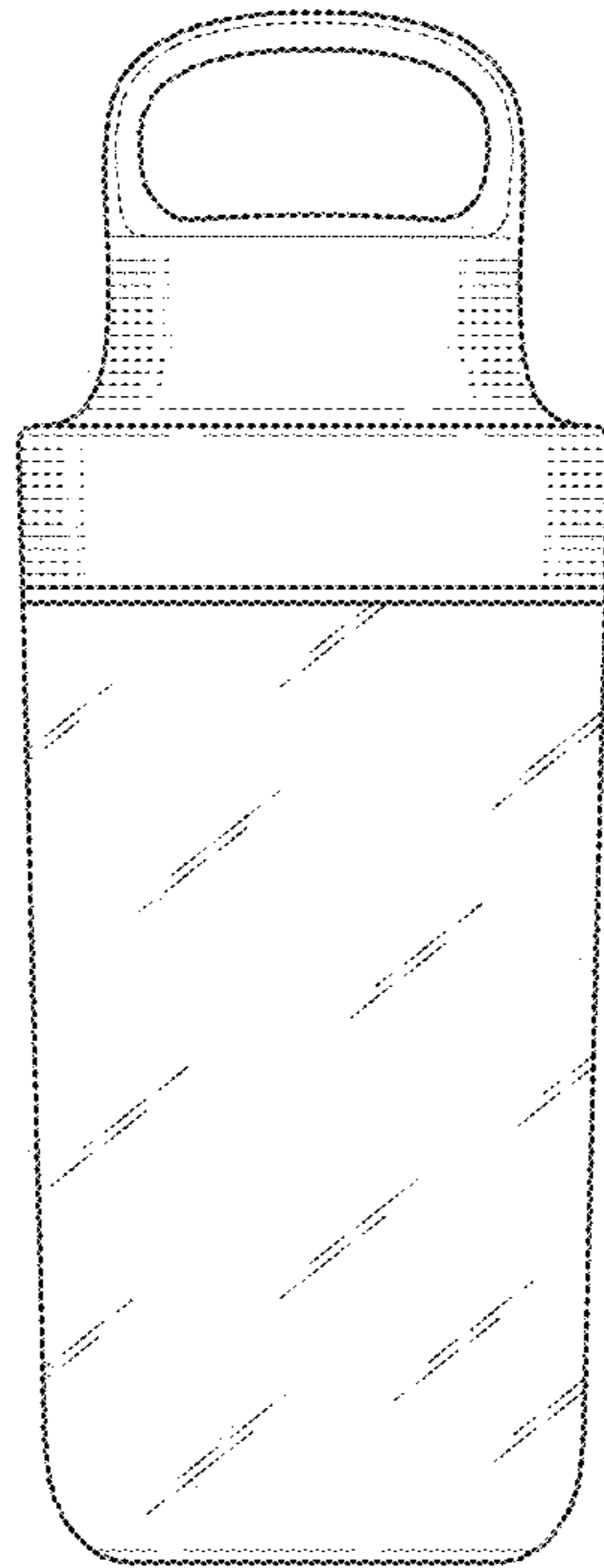


FIG. 8

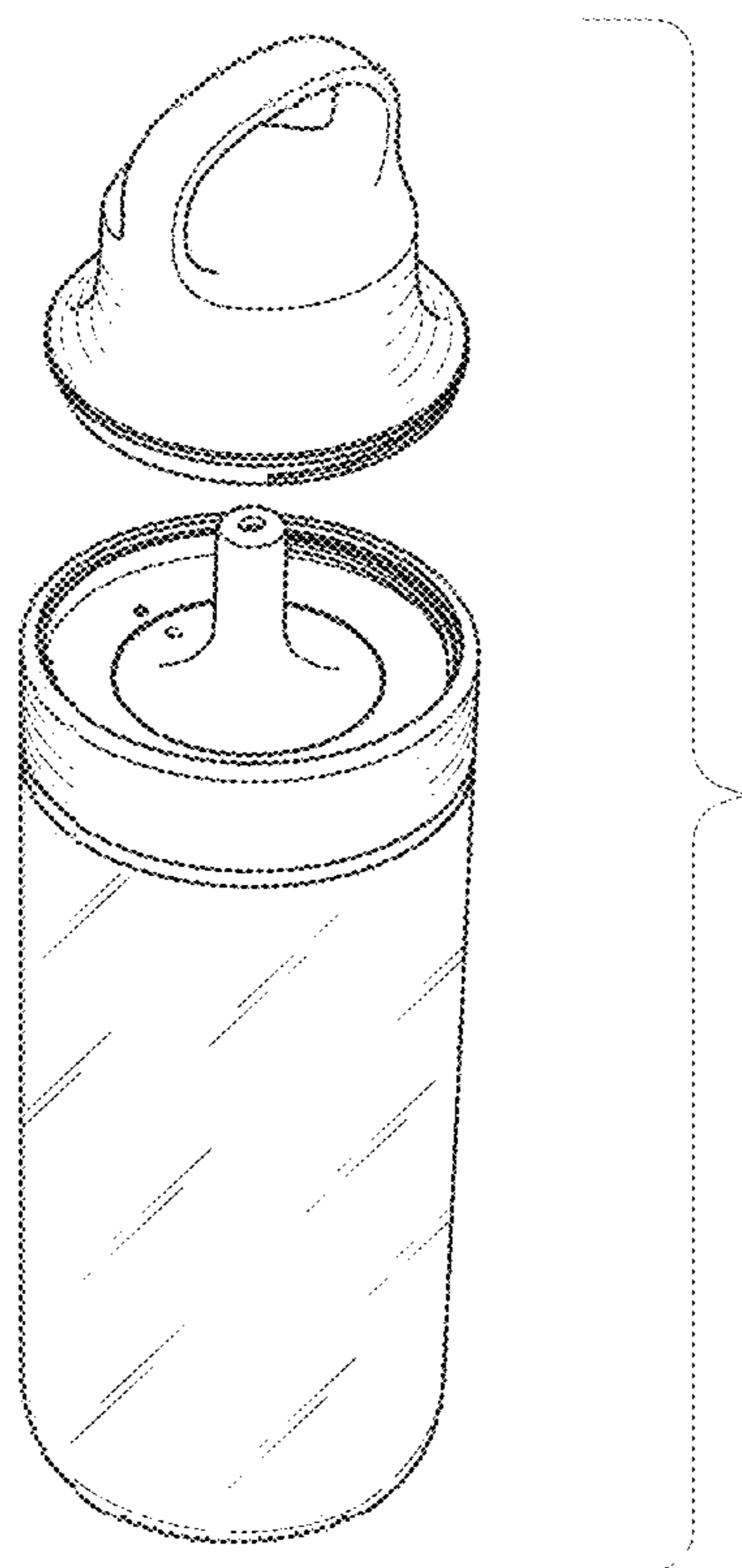


FIG. 9

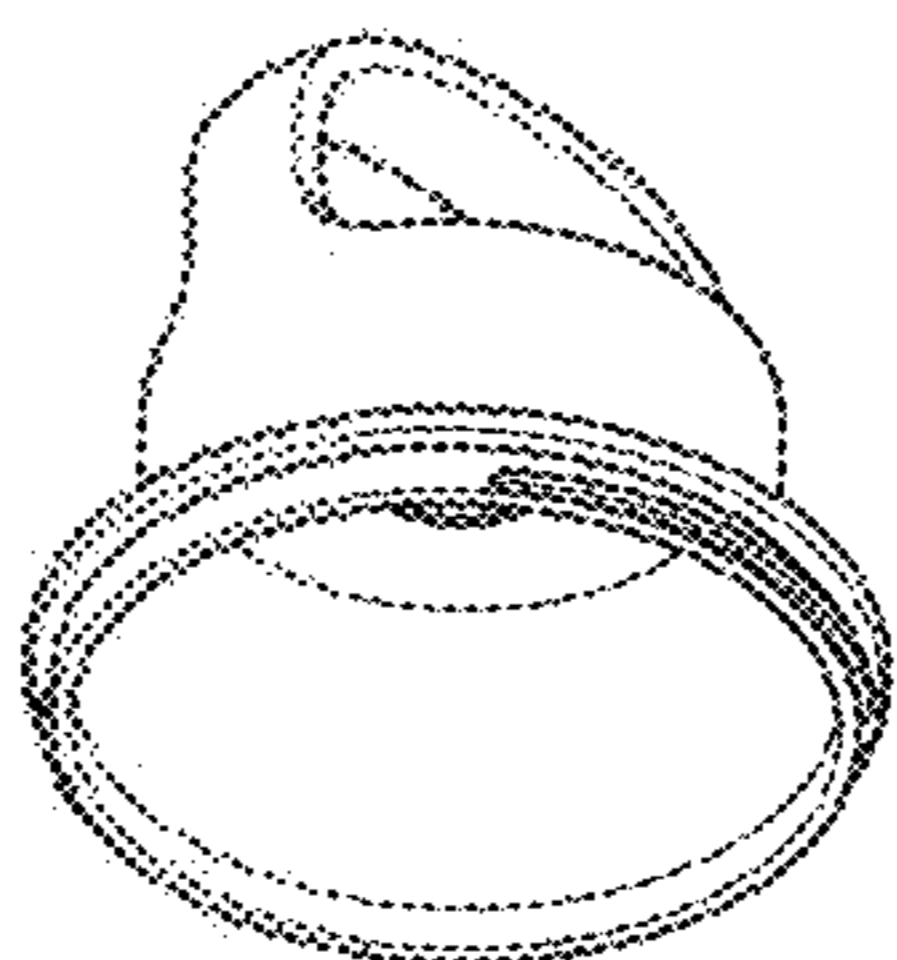


FIG. 10

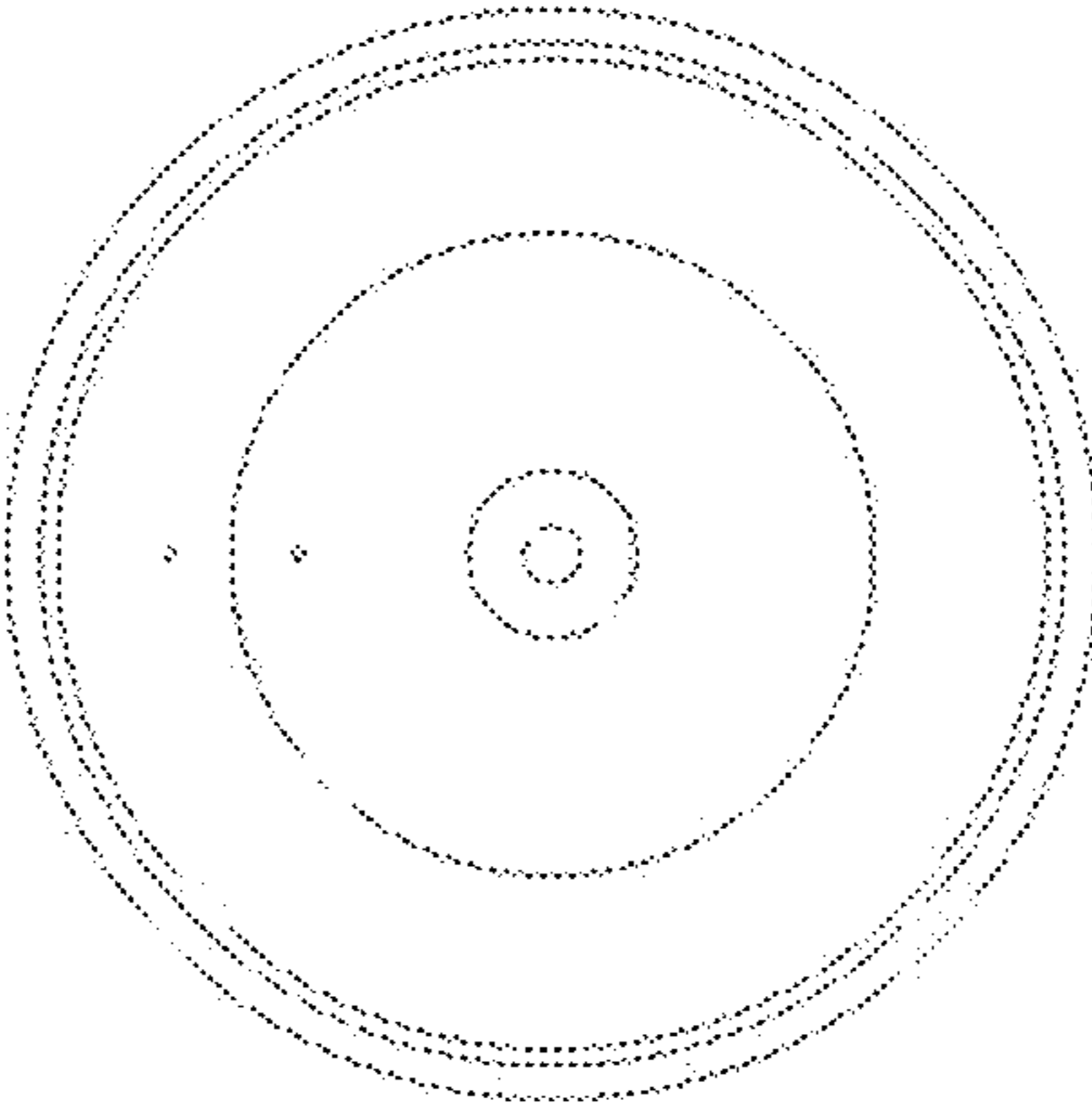


FIG. 11

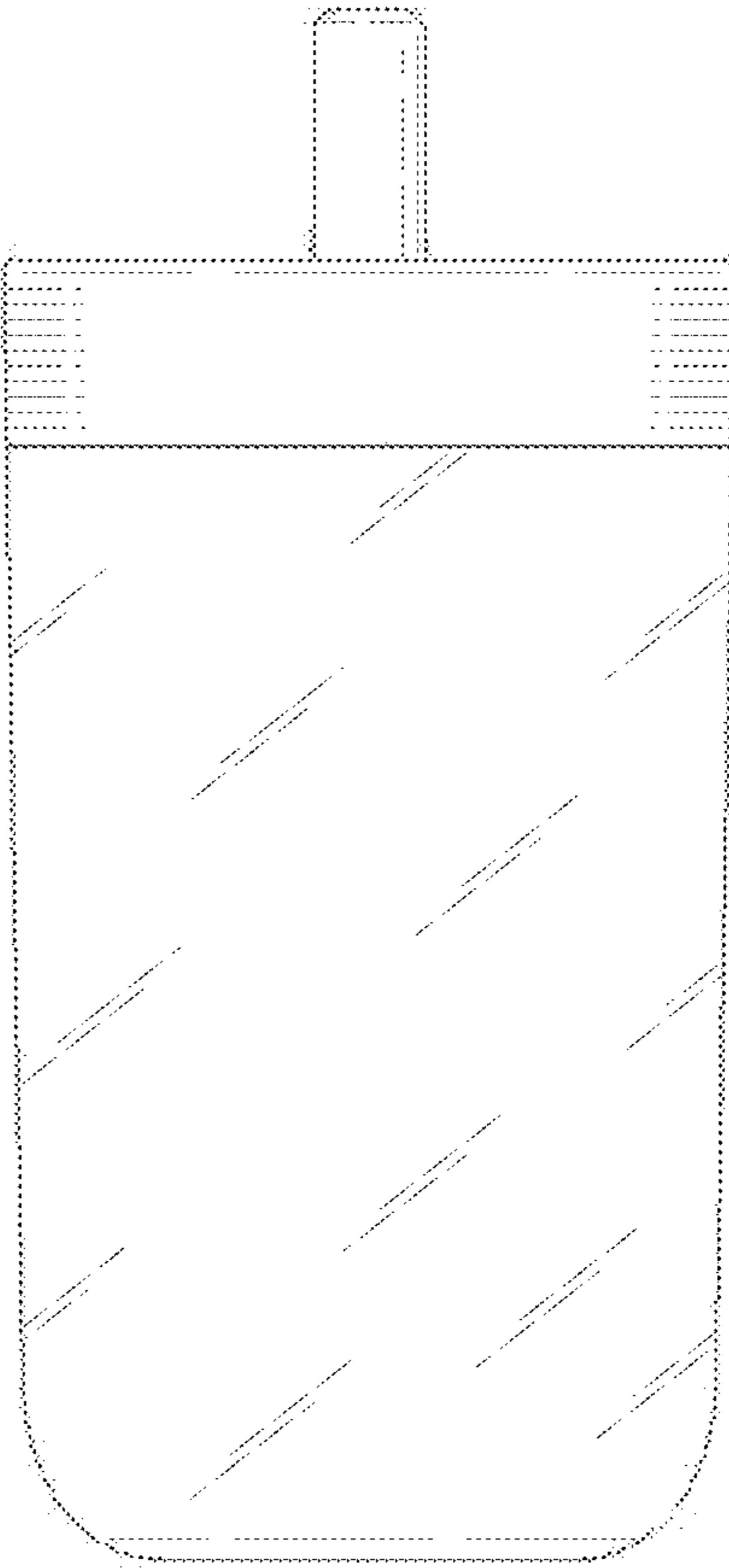


FIG. 12



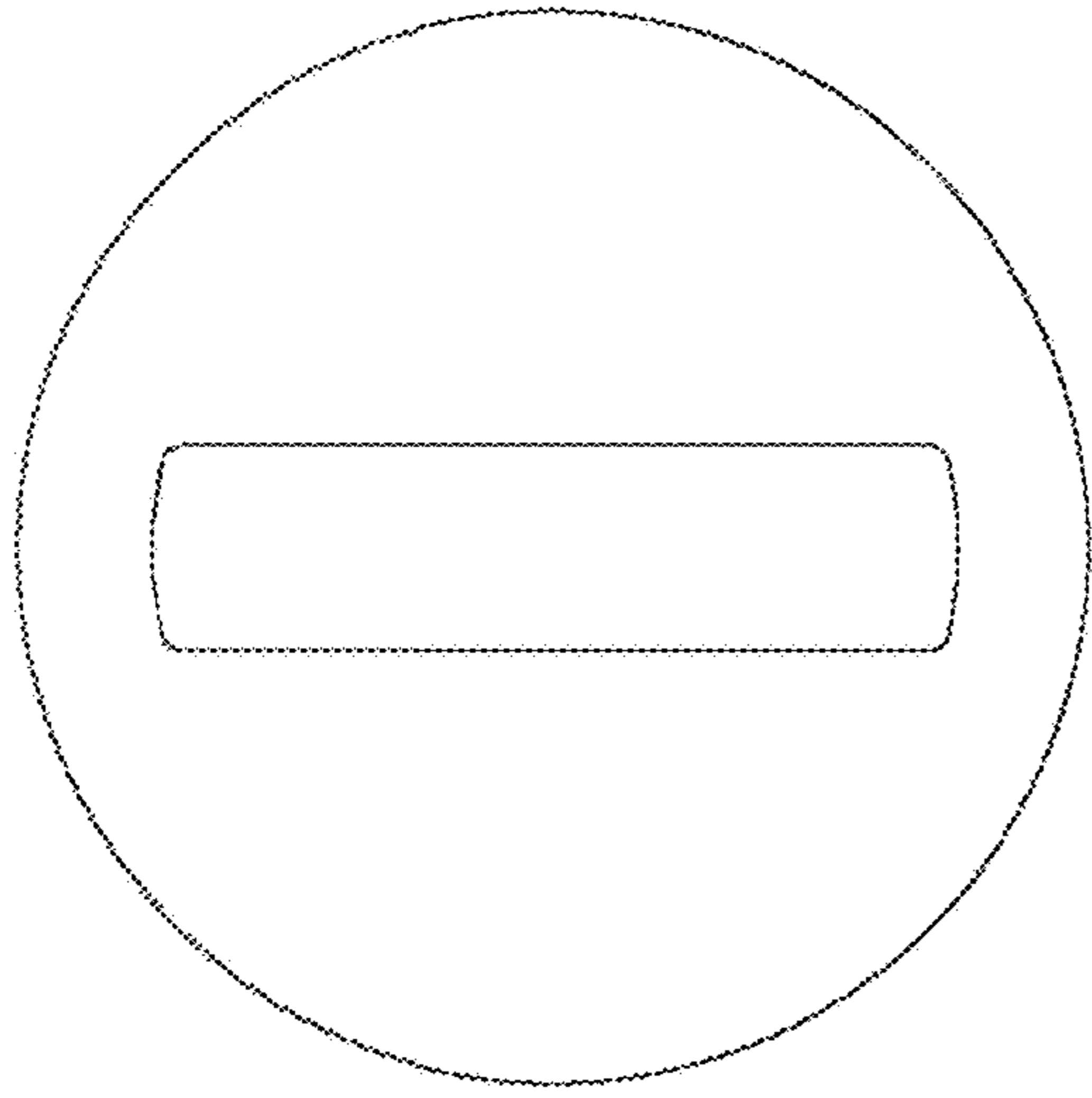


FIG. 13

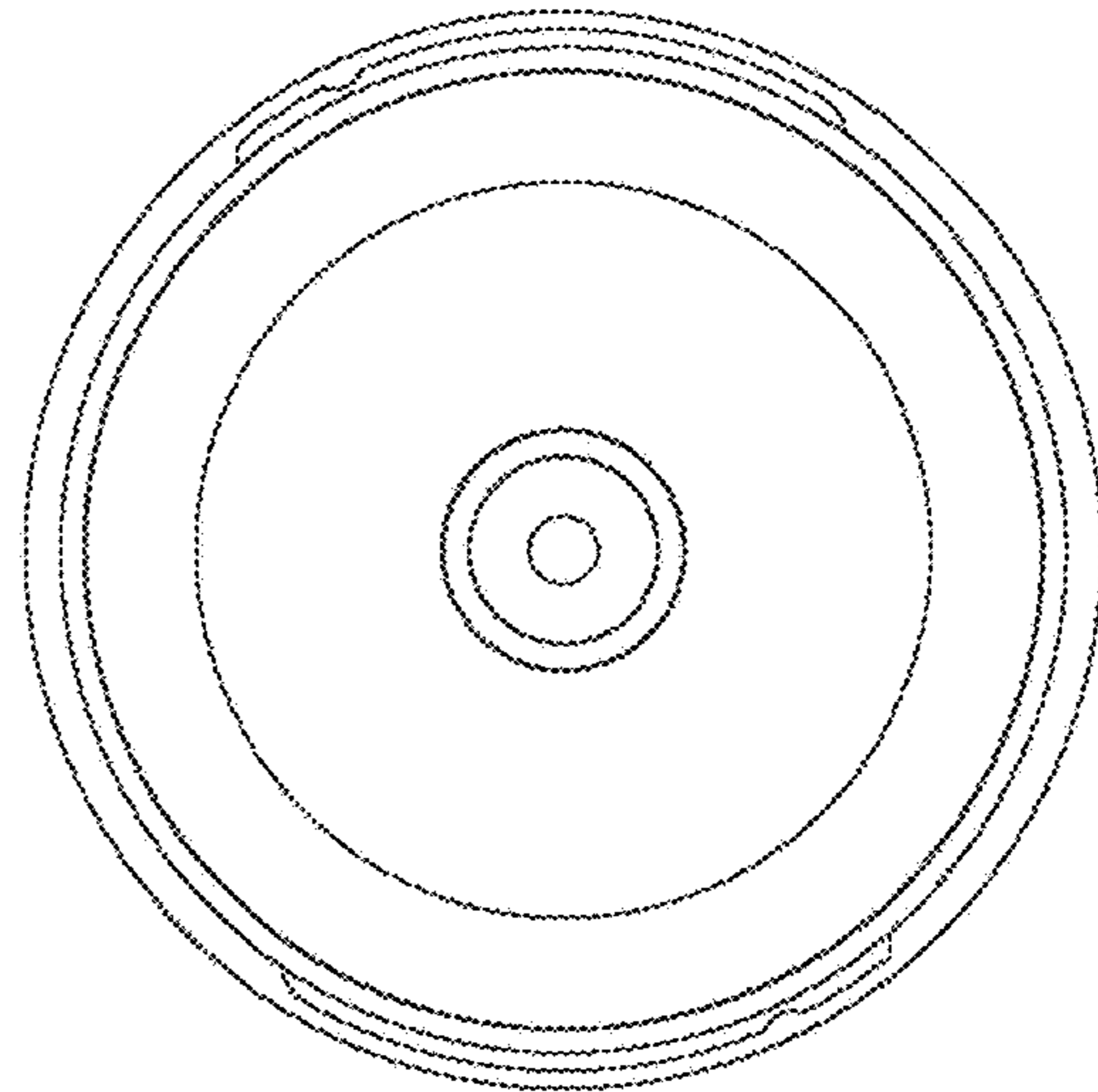


FIG. 14

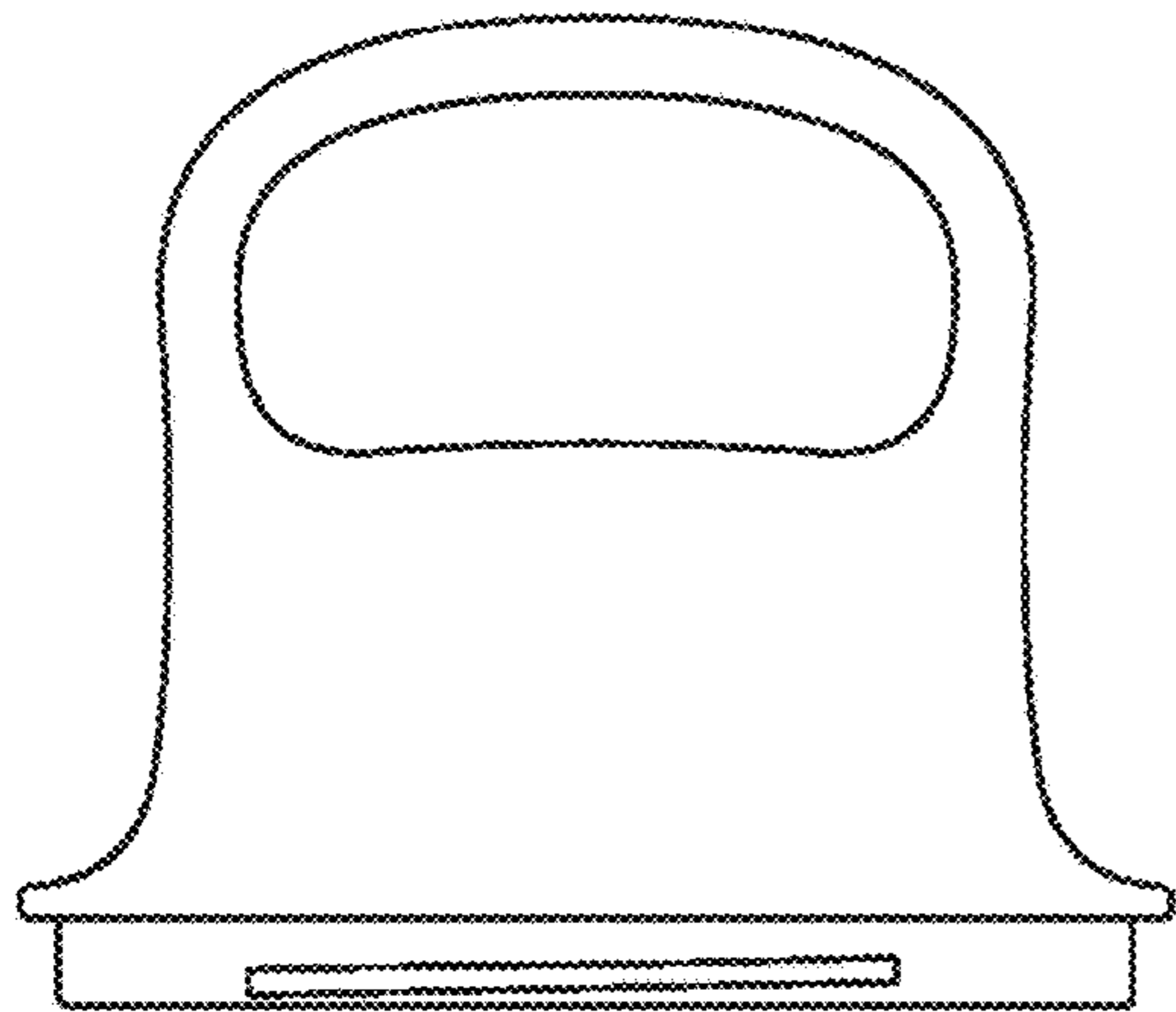


FIG. 15

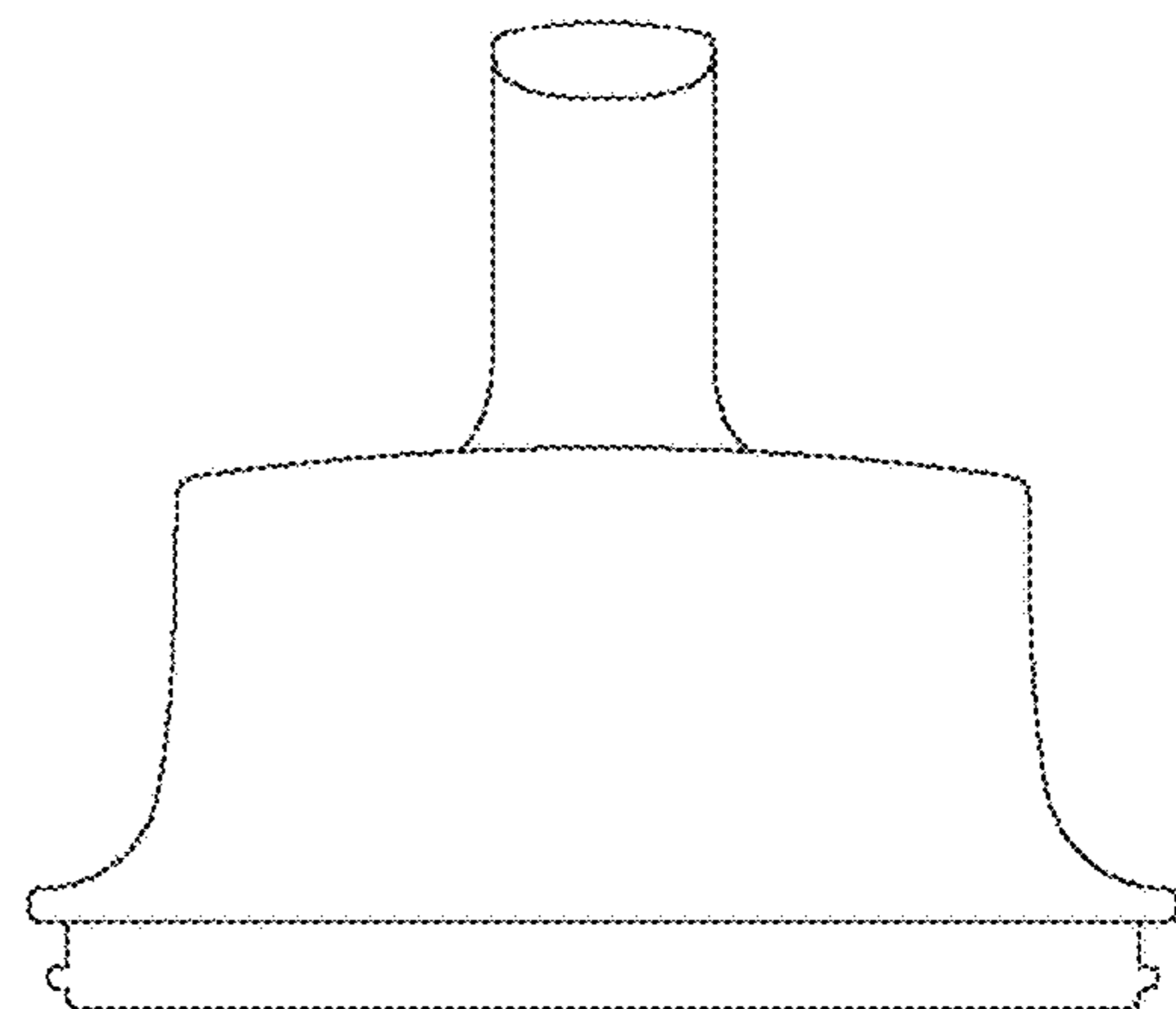


FIG. 16