



US00D968172S

(12) **United States Design Patent** (10) **Patent No.:** **US D968,172 S**
Adsuar Christiansen (45) **Date of Patent:** **** Nov. 1, 2022**

(54) **BREAD TOASTER ACCESSORY**
(71) Applicant: **Conchita Adsuar Christiansen**, San Juan, PR (US)
(72) Inventor: **Conchita Adsuar Christiansen**, San Juan, PR (US)
(**) Term: **15 Years**
(21) Appl. No.: **29/764,016**
(22) Filed: **Dec. 28, 2020**
(51) **LOC (13) Cl.** **07-09**
(52) **U.S. Cl.**
USPC **D7/602; D7/409**
(58) **Field of Classification Search**
USPC D7/294, 319, 330, 360, 368, 392.1, 409, D7/420, 548-549, 555, 601-603, 605, D7/629-630, 637, 708.1; D9/414-416, D9/424-425, 430-432, 759-761; D3/309
CPC B65D 81/24; B65D 1/18; B65D 2581/34; B65D 2581/00; B65D 1/36; B65D 5/2066; A47J 37/08; A47J 37/0871
See application file for complete search history.

(56) **References Cited**
U.S. PATENT DOCUMENTS
154,361 A * 8/1874 Willging A47J 37/08 99/398
1,281,943 A * 10/1918 Gonsalves F25C 1/246 99/422
2,849,947 A * 9/1958 Bork A47J 37/0885 99/402
2,962,957 A * 12/1960 Bork A47J 37/0885 99/402
3,007,393 A * 11/1961 Le Doux A47J 37/0885 99/427
D197,322 S * 1/1964 Wilt D7/409
3,846,320 A * 11/1974 Edwards B01D 29/27 210/471

D236,414 S * 8/1975 Schaumburg 99/413
4,370,941 A * 2/1983 Belton B44D 3/24 118/200
4,508,027 A * 4/1985 McCord A47J 37/1295 220/543

(Continued)

FOREIGN PATENT DOCUMENTS

KR 301114377.0000 * 6/2021

OTHER PUBLICATIONS

Sandwich Rack 5KTSR1, KitchenAid, kitchenaid-mea.com, author unlisted, published on Feb. 26, 2021 per wayback machine © 2021 KitchenAid, online, site visited Nov. 23, 2021. URL: https://www.kitchenaid-mea.com/en_GB/product-accessories/toaster-accessories/sandwich-rack-5ktsr1/859734001030 (Year: 2021).*

(Continued)

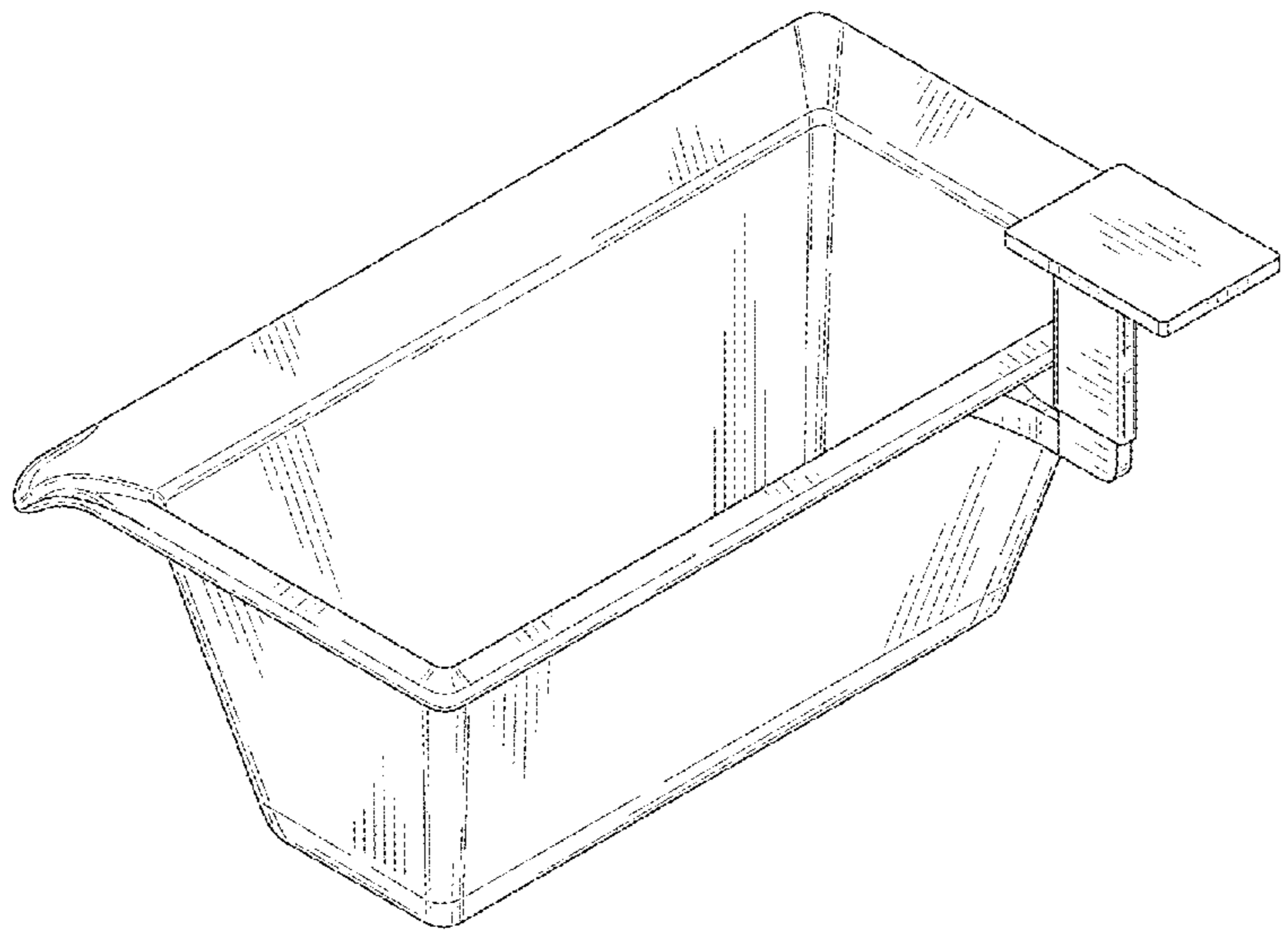
Primary Examiner — Holly E Thurman
Assistant Examiner — Altaira J Swangin
(74) *Attorney, Agent, or Firm* — Eugenio J. Torres-Oyola; Rafael Rodriguez-Muriel; Victor M. Rodriguez-Reyes

(57) **CLAIM**
The ornamental design for a bread toaster accessory, as shown and described.

DESCRIPTION

FIG. 1 is a perspective view of a bread toaster accessory showing the present design;
FIG. 2 is a side view thereof;
FIG. 3 is another side view thereof;
FIG. 4 is a rear view thereof;
FIG. 5 is a front view thereof;
FIG. 6 is top view thereof;
FIG. 7 is bottom view thereof; and,
FIG. 8 is a perspective view of the bread toaster accessory shown in an environment of use.
The broken lines shown in the drawings represent environment that forms no part of the claimed design.

1 Claim, 8 Drawing Sheets



(56)

References Cited

U.S. PATENT DOCUMENTS

D286,117 S * 10/1986 Wellington D3/306
4,854,227 A * 8/1989 Koopman A47J 37/1295
99/426
D469,297 S * 1/2003 Bouhuys D7/330
D505,584 S * 5/2005 Sowden D7/330
6,895,672 B2 * 5/2005 Conforti A47J 43/288
30/169
D584,917 S * 1/2009 Mullen D7/390
D592,010 S * 5/2009 Russell D7/411
8,037,812 B1 * 10/2011 Sumner, Sr. A47J 37/1295
99/407
D662,398 S * 6/2012 Jahnke D8/355
8,584,579 B1 * 11/2013 Sumner, Sr. A47J 37/1295
99/407
D702,084 S * 4/2014 Matos D7/409
9,192,263 B2 * 11/2015 Hering A47J 37/0885
9,706,876 B2 * 7/2017 Walker A47J 37/0871
D825,267 S * 8/2018 Iorio D7/409
D825,268 S * 8/2018 Iorio D7/409
D828,077 S * 9/2018 Mishan D7/360
D853,787 S * 7/2019 Moon D7/409
D876,162 S * 2/2020 Covert D7/409
D891,864 S * 8/2020 Covert D7/409
11,006,783 B1 * 5/2021 Morales A47J 37/0885
D942,645 S * 2/2022 Kang D24/227

D944,582 S * 3/2022 Qin D7/330
D947,588 S * 4/2022 Steiner D7/330
D957,247 S * 7/2022 Bevier D9/425
2006/0113303 A1 * 6/2006 Huruta B65D 21/0204
220/23.4
2008/0061060 A1 * 3/2008 Aubrey B65D 25/10
220/23.87
2008/0124438 A1 * 5/2008 Forte A47J 37/1295
426/389
2014/0178552 A1 * 6/2014 Walker A47J 37/0871
426/520
2017/0303742 A1 * 10/2017 Gallego, II A47J 37/0885
2022/0202242 A1 * 6/2022 Adsuar Christiansen
A47J 37/0871

OTHER PUBLICATIONS

Vintage Magnetic Butter Melter, Toastwell, worthpoint.com, author and date unlisted © 2021 WorthPoint Corporation, online, site visited Dec. 30, 2021. URL: <https://www.worthpoint.com/worthopedia/vintage-toastwell-magnetic-butter-535576477> (Year: 2021).*

Nonstick Bakeware 9x5 Loaf Pan, Rachael Ray, kohls.com, author unlisted, published on Mar. 2, 2021 per wayback machine © 2021 Kohl's, Inc., online, site visited Dec. 30, 2021. URL: <https://www.kohls.com/product/prd-3617982/rachael-ray-nonstick-bakeware-9-x-5-loaf-pan.jsp> (Year: 2021).*

* cited by examiner

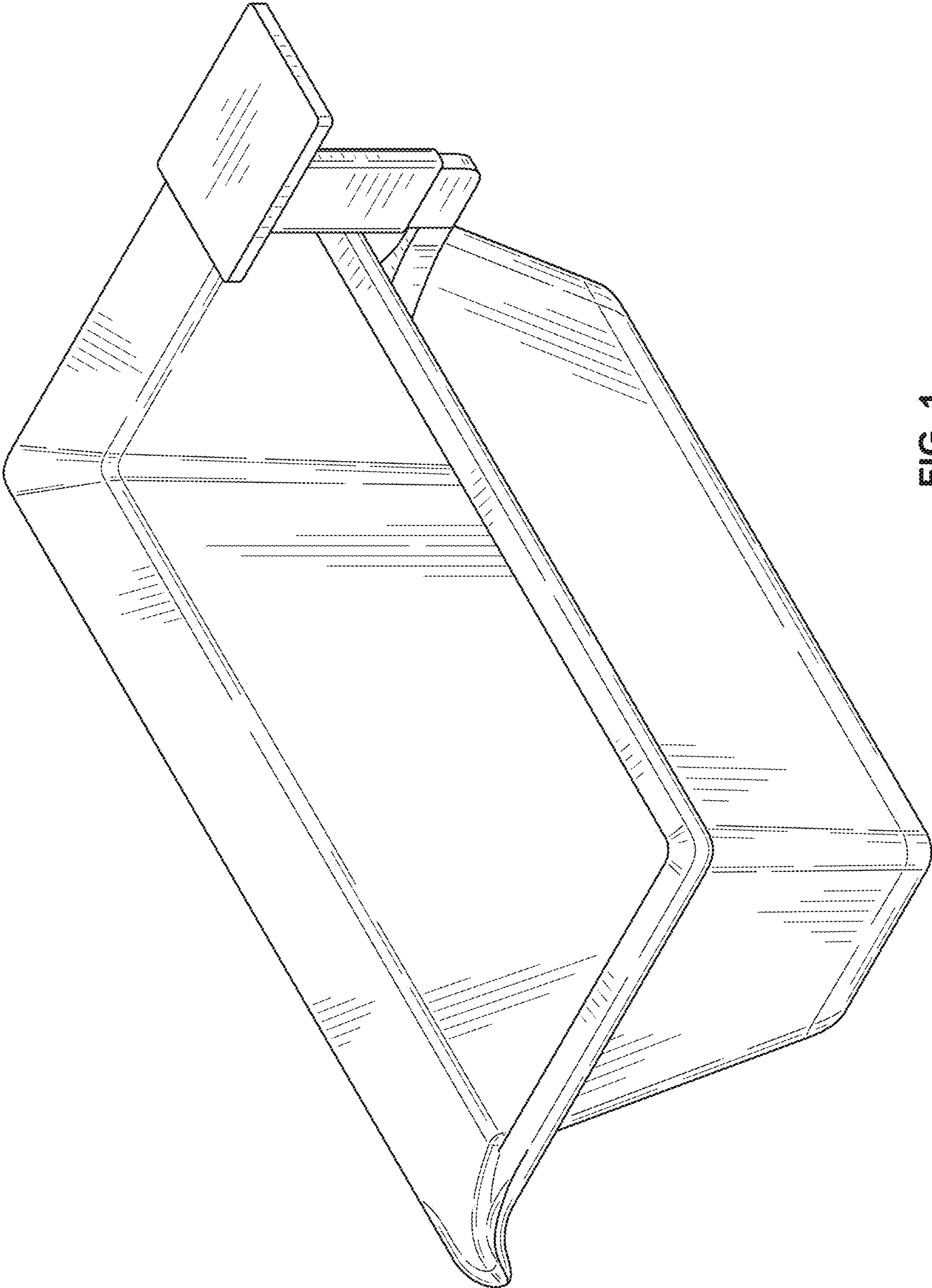


FIG. 1

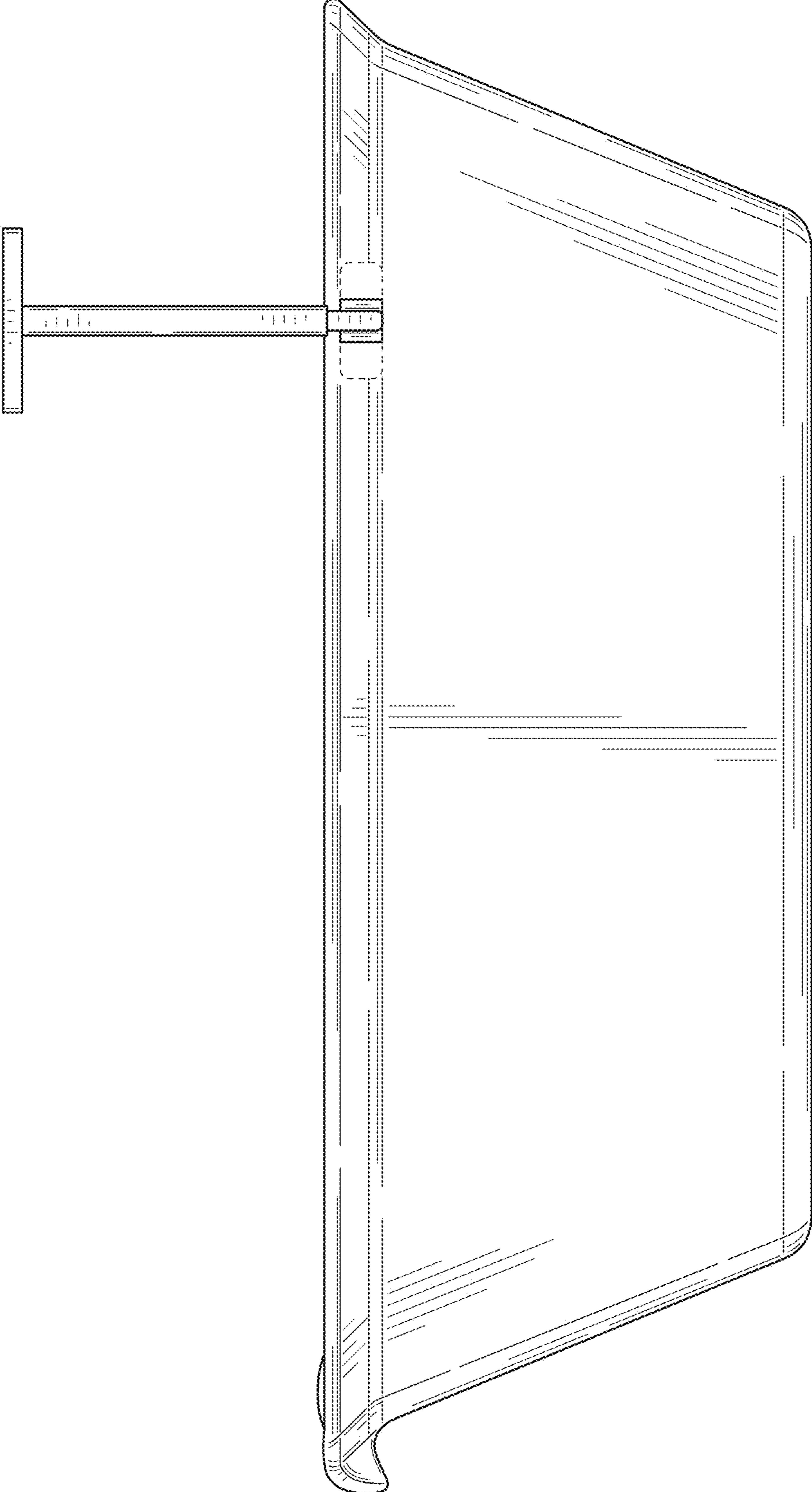


FIG. 2



FIG. 3

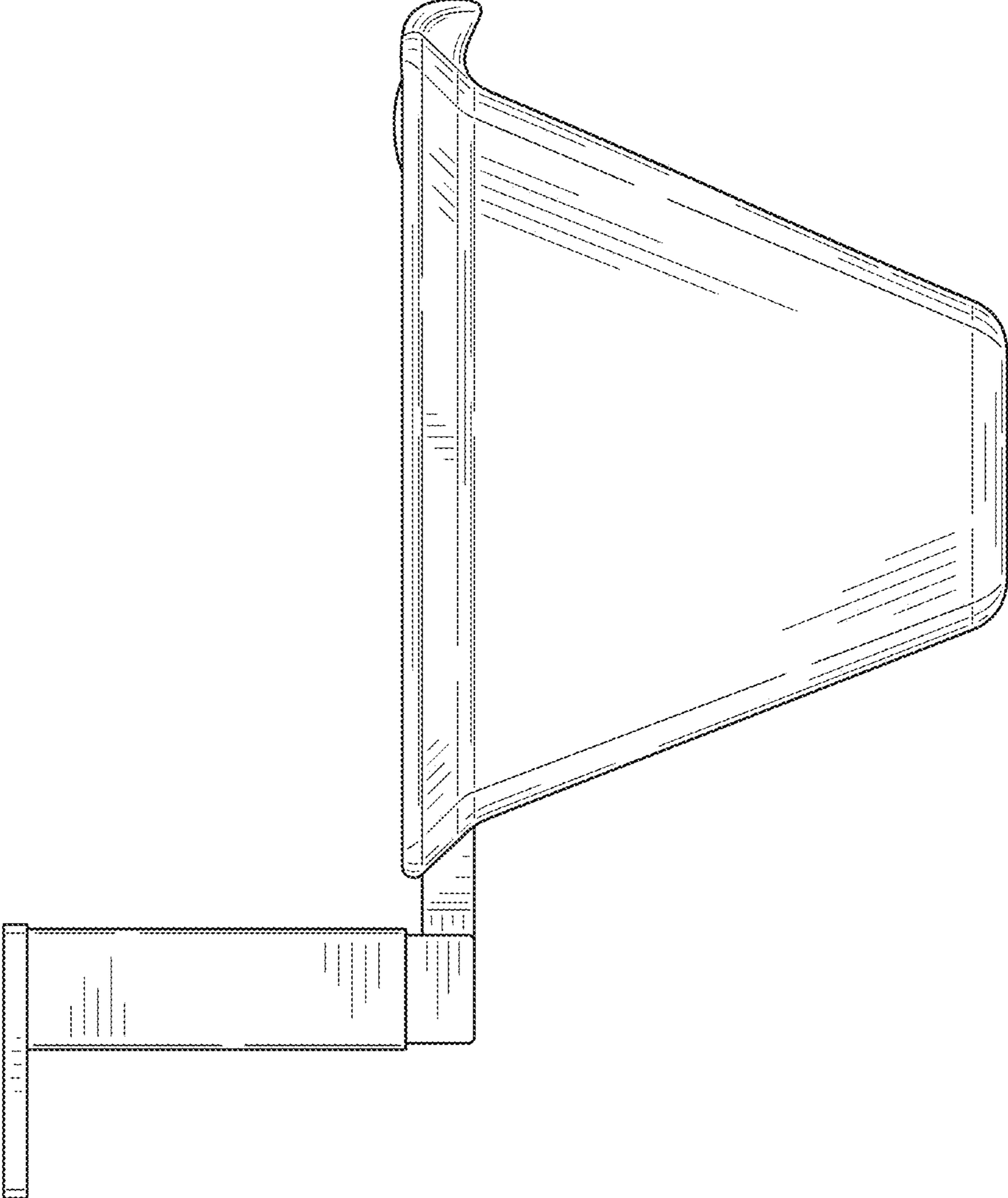


FIG. 4

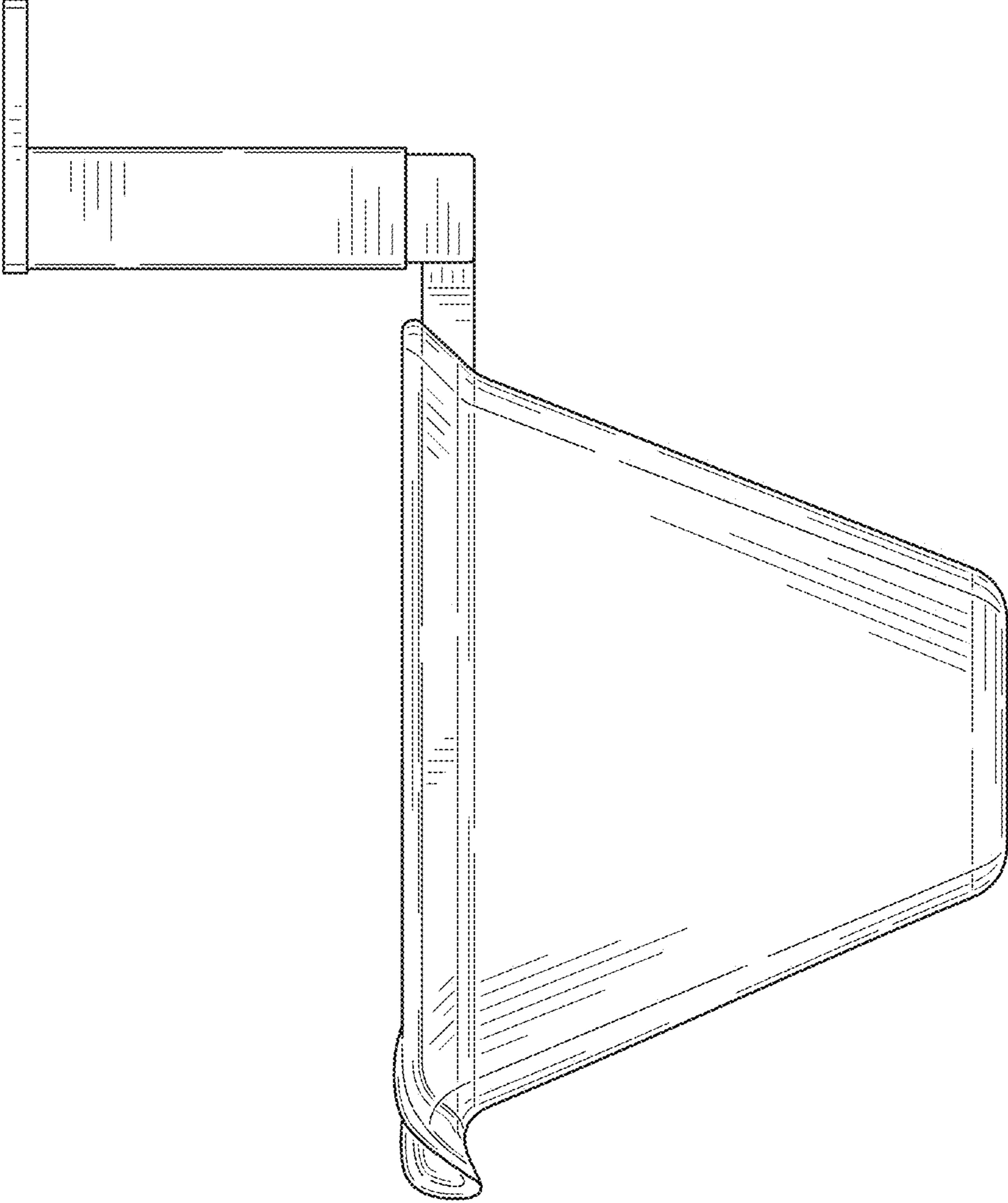


FIG. 5

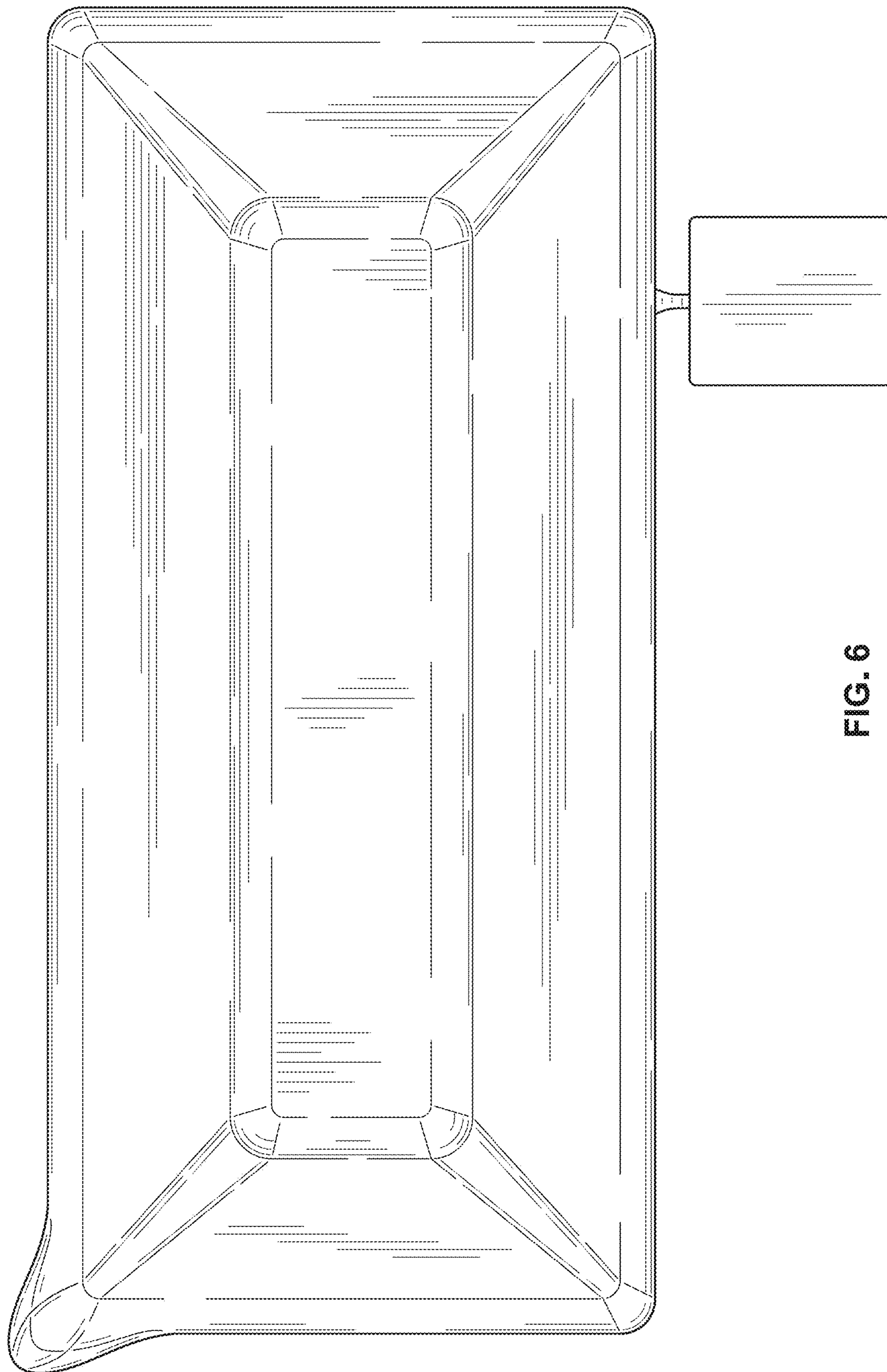


FIG. 6

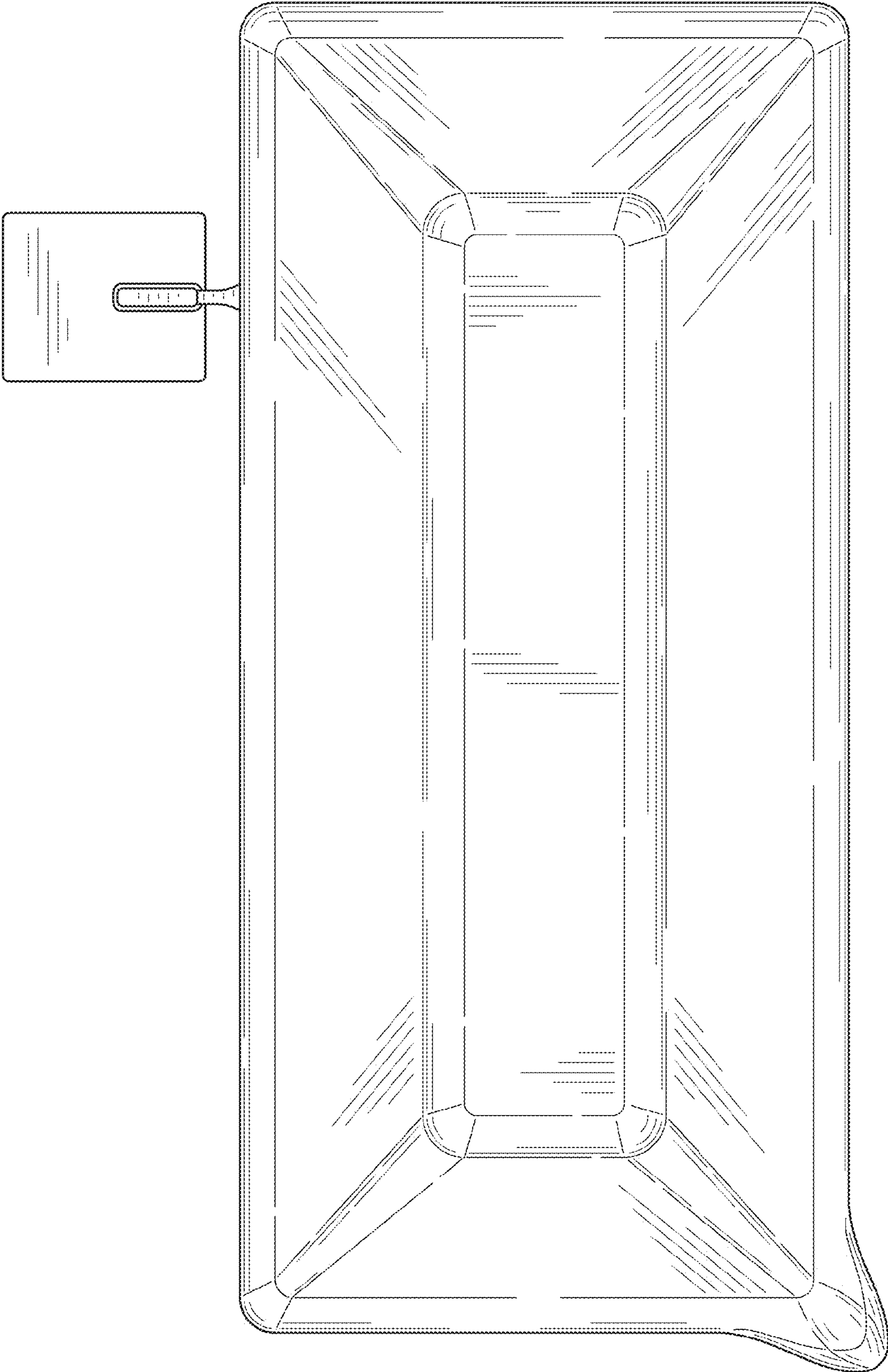


FIG. 7

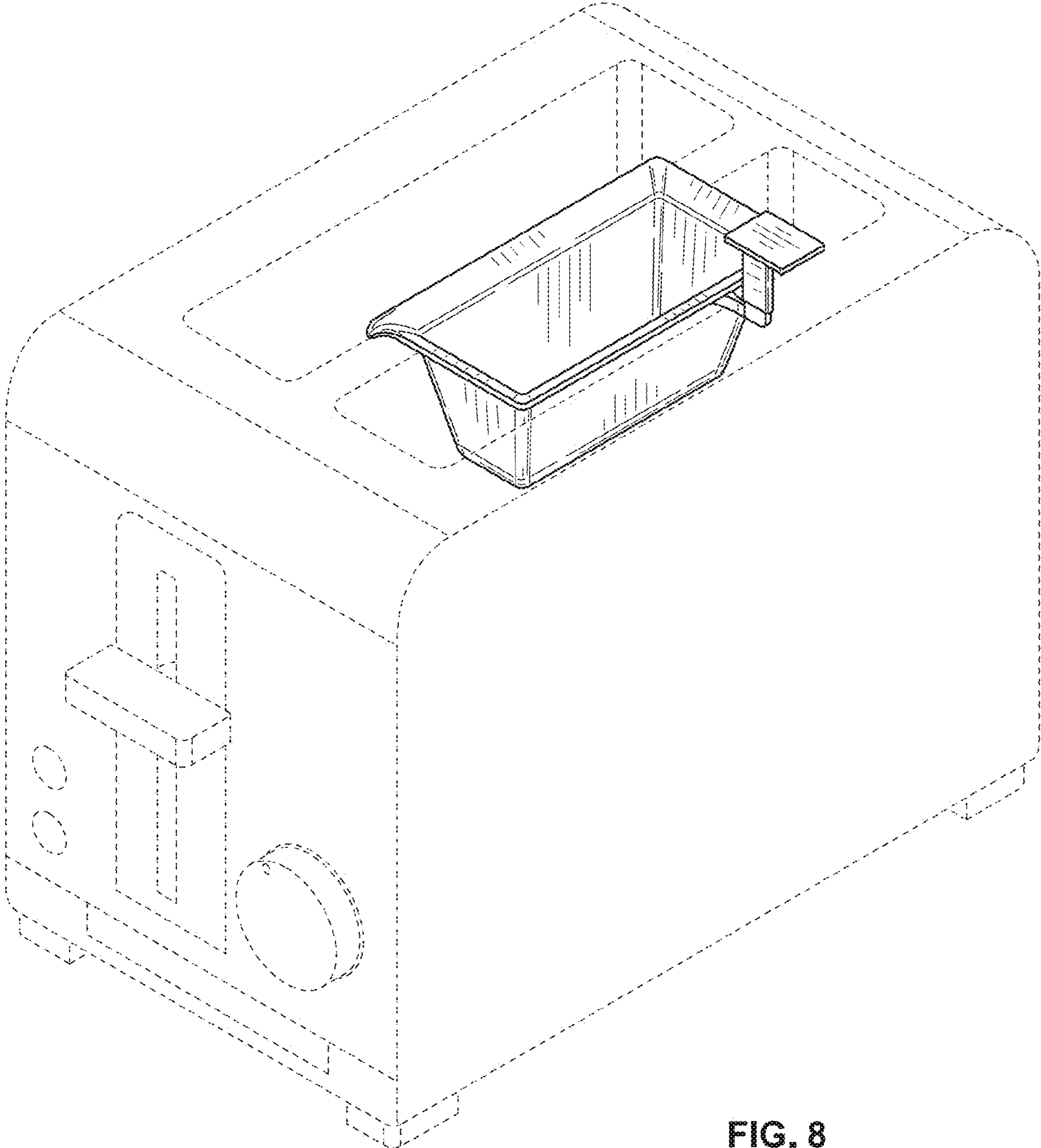


FIG. 8