



US00D968171S

(12) **United States Design Patent**
Joseph

(10) **Patent No.:** **US D968,171 S**

(45) **Date of Patent:** **** Nov. 1, 2022**

(54) **CUPBOARD STORAGE**

(71) Applicant: **JOSEPH JOSEPH, LTD.**, London
(GB)

(72) Inventor: **Antony Joseph**, London (GB)

(73) Assignee: **JOSEPH JOSEPH, LTD.**, London
(GB)

(**) Term: **15 Years**

(21) Appl. No.: **29/719,554**

(22) Filed: **Jan. 6, 2020**

(30) **Foreign Application Priority Data**

Jul. 4, 2019 (EM) 006612503

(51) **LOC (13) Cl.** **07-09**

(52) **U.S. Cl.**
USPC **D7/602**

(58) **Field of Classification Search**
USPC D7/601, 602, 629, 538, 550.1, 553.1,
D7/387, 396.1, 401.1, 402; D9/434, 435,
D9/436, 414, 424, 433, 524; D6/524,
D6/525; D24/100, 104, 103; D3/201,
D3/203.2

CPC . B65D 1/00; B65D 21/00; B65D 1/34; B65D
3/24; B65D 5/38; B65D 5/64; B65D
5/643; B65D 5/646

See application file for complete search history.

(56) **References Cited**

U.S. PATENT DOCUMENTS

D515,880 S * 2/2006 Lerner D7/629
D580,614 S * 11/2008 Liao D34/9
D696,560 S * 12/2013 Song D7/629

D696,910 S * 1/2014 Franczyk D7/629
D785,466 S * 5/2017 Son D9/760
D927,811 S * 8/2021 Simonetti D32/37
D939,175 S * 12/2021 Joseph D34/11
D941,542 S * 1/2022 Joseph D32/37
D948,965 S * 4/2022 Guo D7/629
2014/0103033 A1* 4/2014 Beckman B65D 1/34
220/4.01

* cited by examiner

Primary Examiner — Andrew Kerr

(74) *Attorney, Agent, or Firm* — Millen, White, Zelano &
Branigan, PC; Ryan Pool

(57) **CLAIM**

The ornamental design for a cupboard storage, as shown and
described.

DESCRIPTION

FIG. 1 is a top perspective view of the cupboard storage
showing my new design.

FIG. 2 is a front view thereof.

FIG. 3 is a back view thereof.

FIG. 4 is a side view thereof.

FIG. 5 is another side view thereof.

FIG. 6 is a top view thereof.

FIG. 7 is a bottom view thereof.

FIG. 8 is a top perspective view with the container partially
extended.

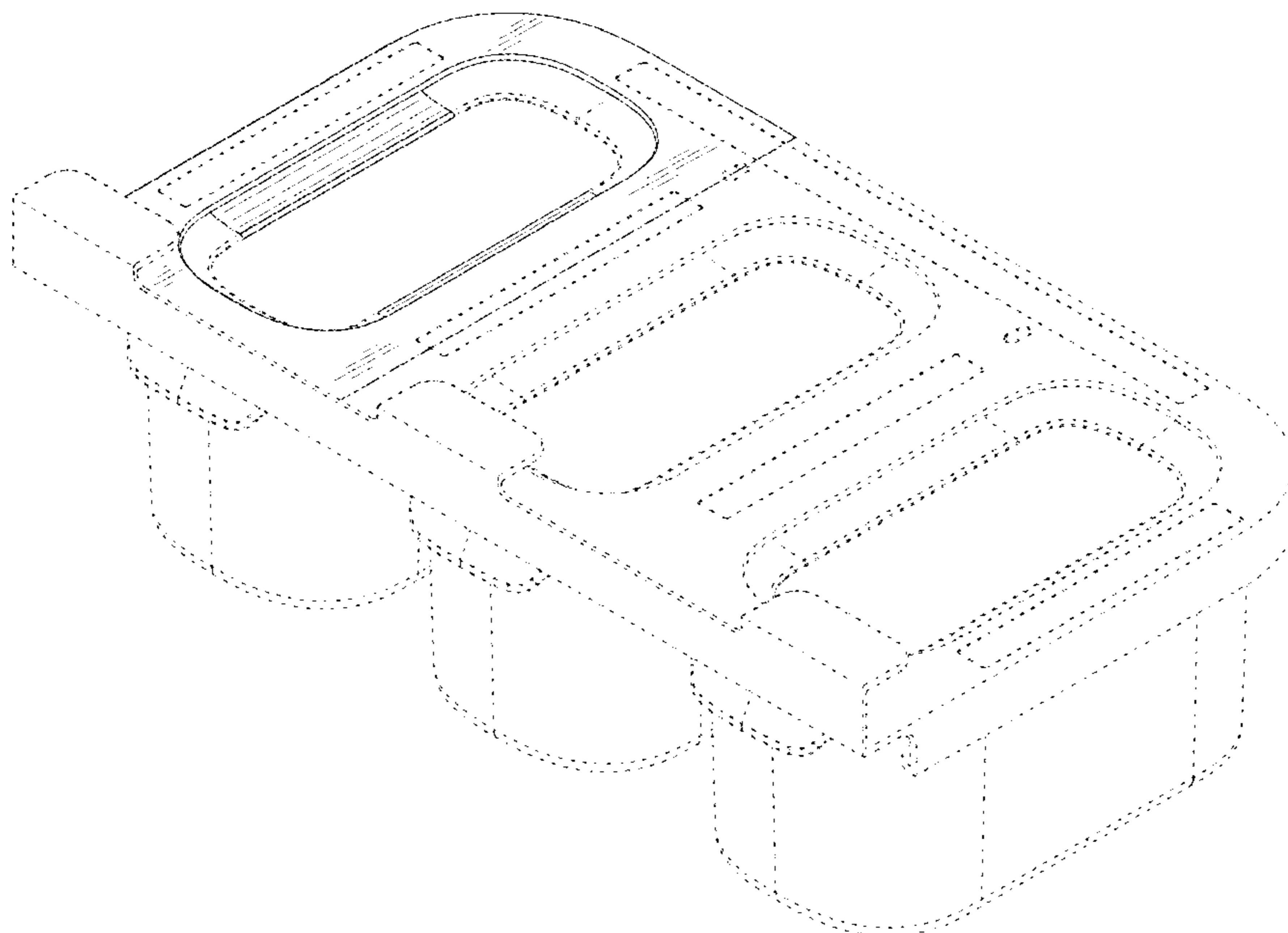
FIG. 9 is a top perspective exploded view; and,

FIG. 10 is a bottom perspective view with the container
partially extended.

The even-spaced broken lines in the drawings depict por-
tions of the cupboard storage that form no part of the
claimed design.

The dash-dot broken lines in the figures drawings define the
bounds of the claimed design and from no part thereof.

1 Claim, 10 Drawing Sheets



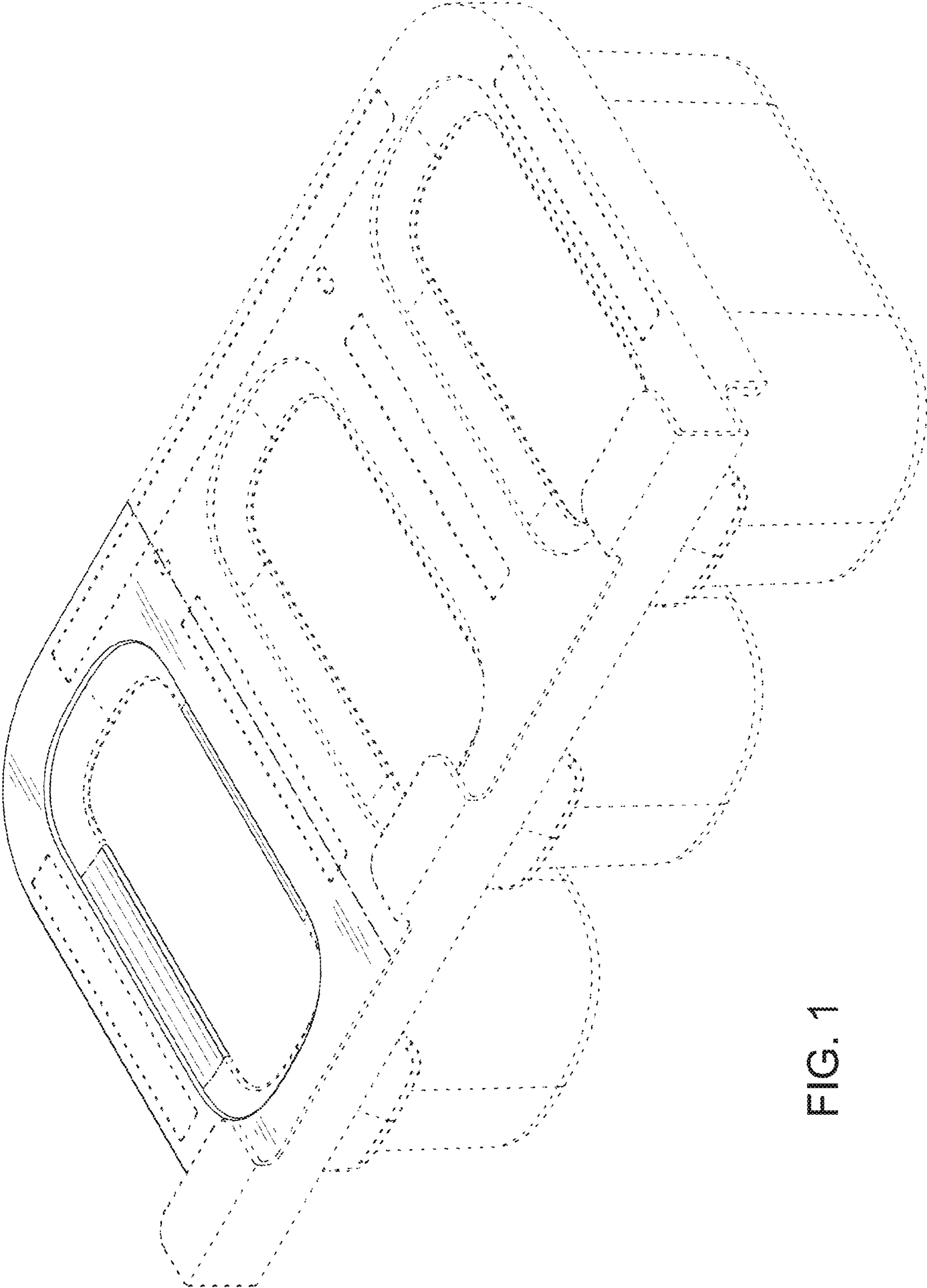


FIG. 1

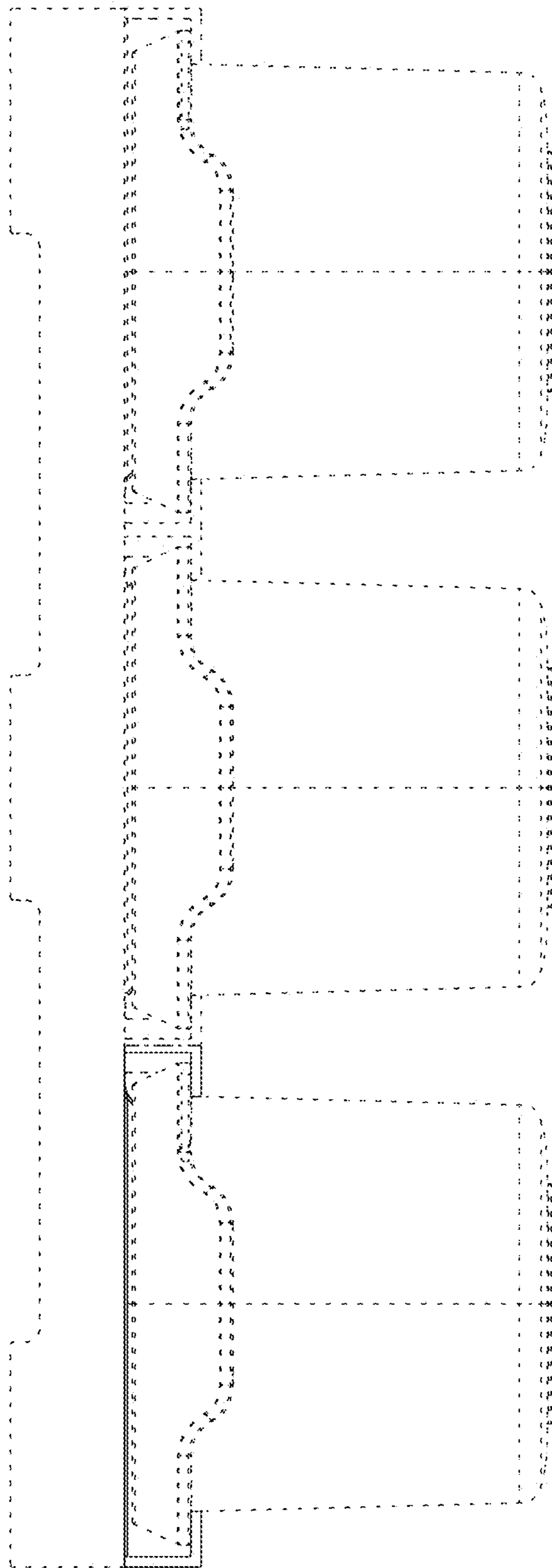


FIG. 2

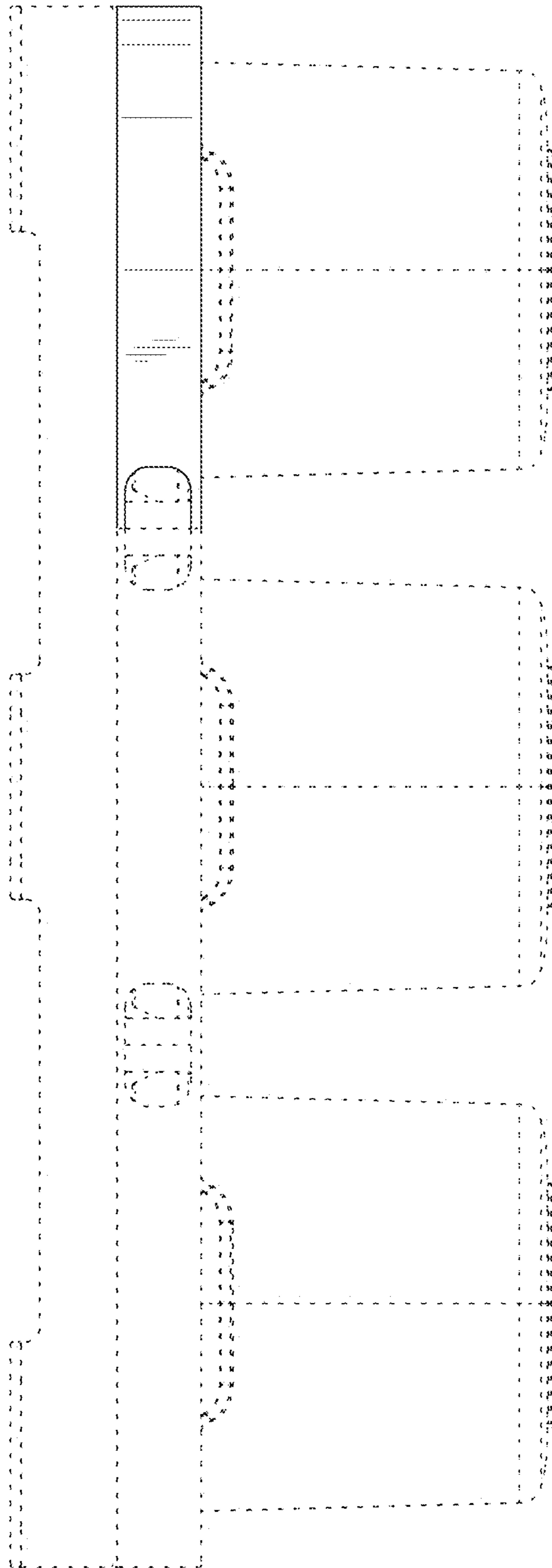


FIG. 3

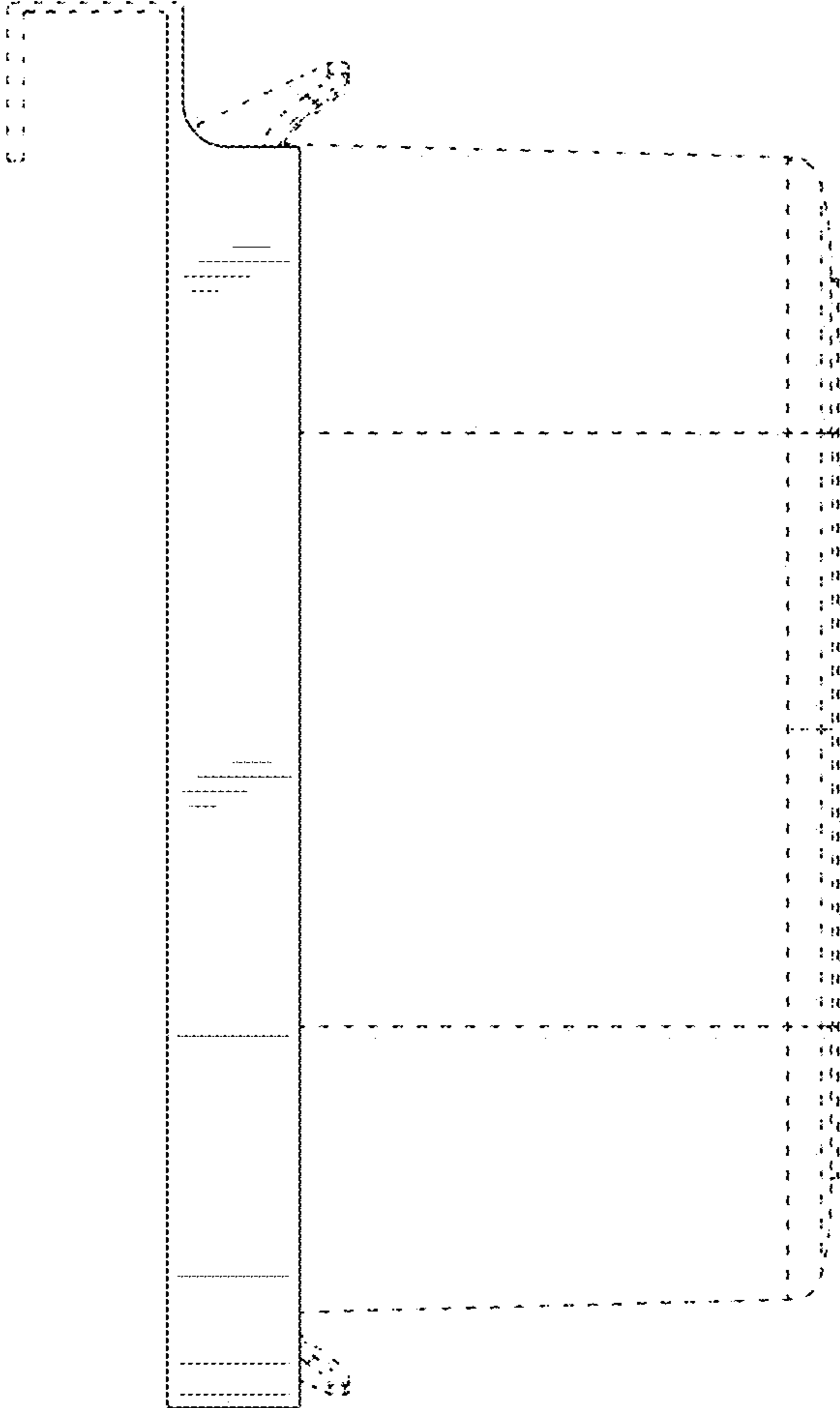


FIG. 4

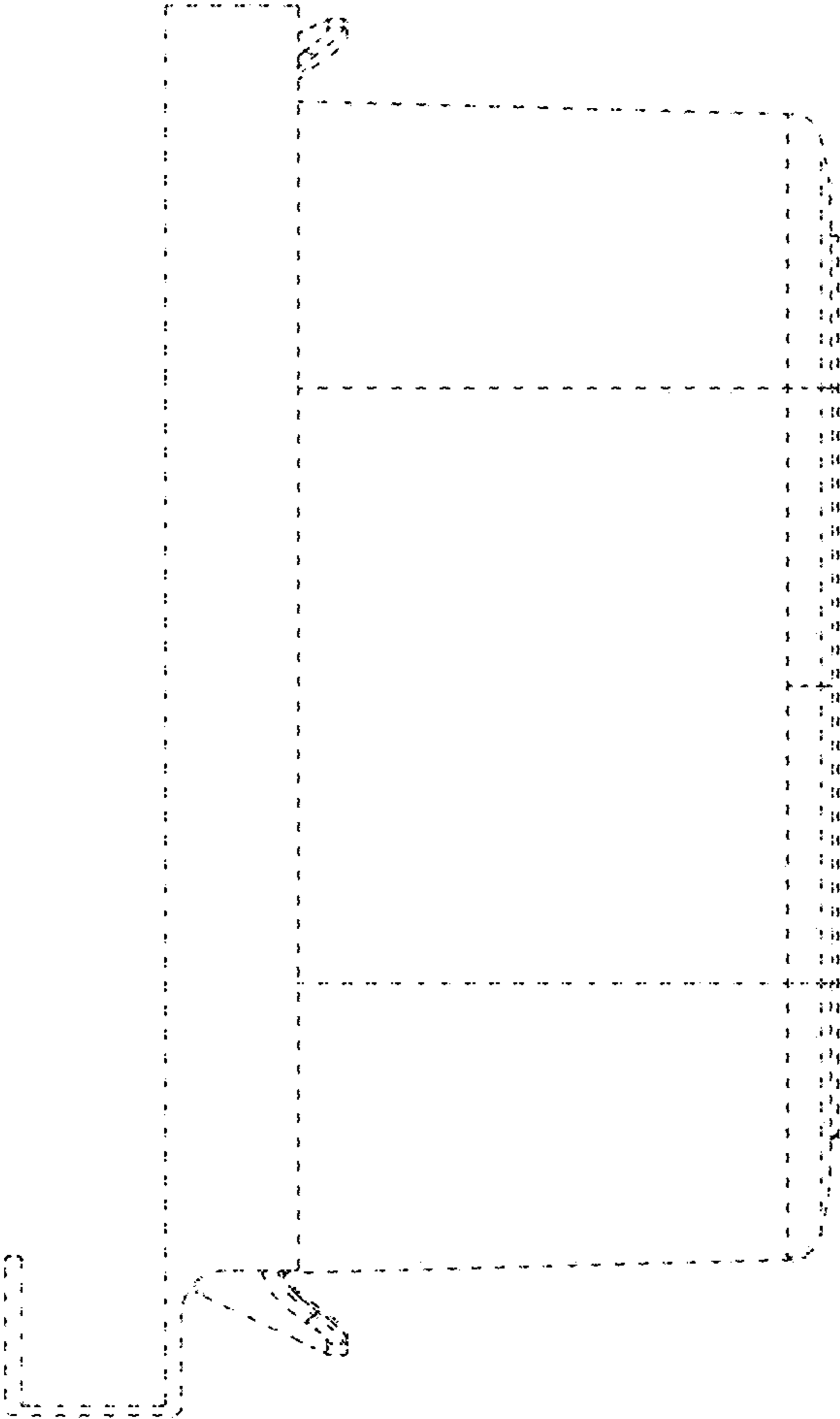


FIG. 5

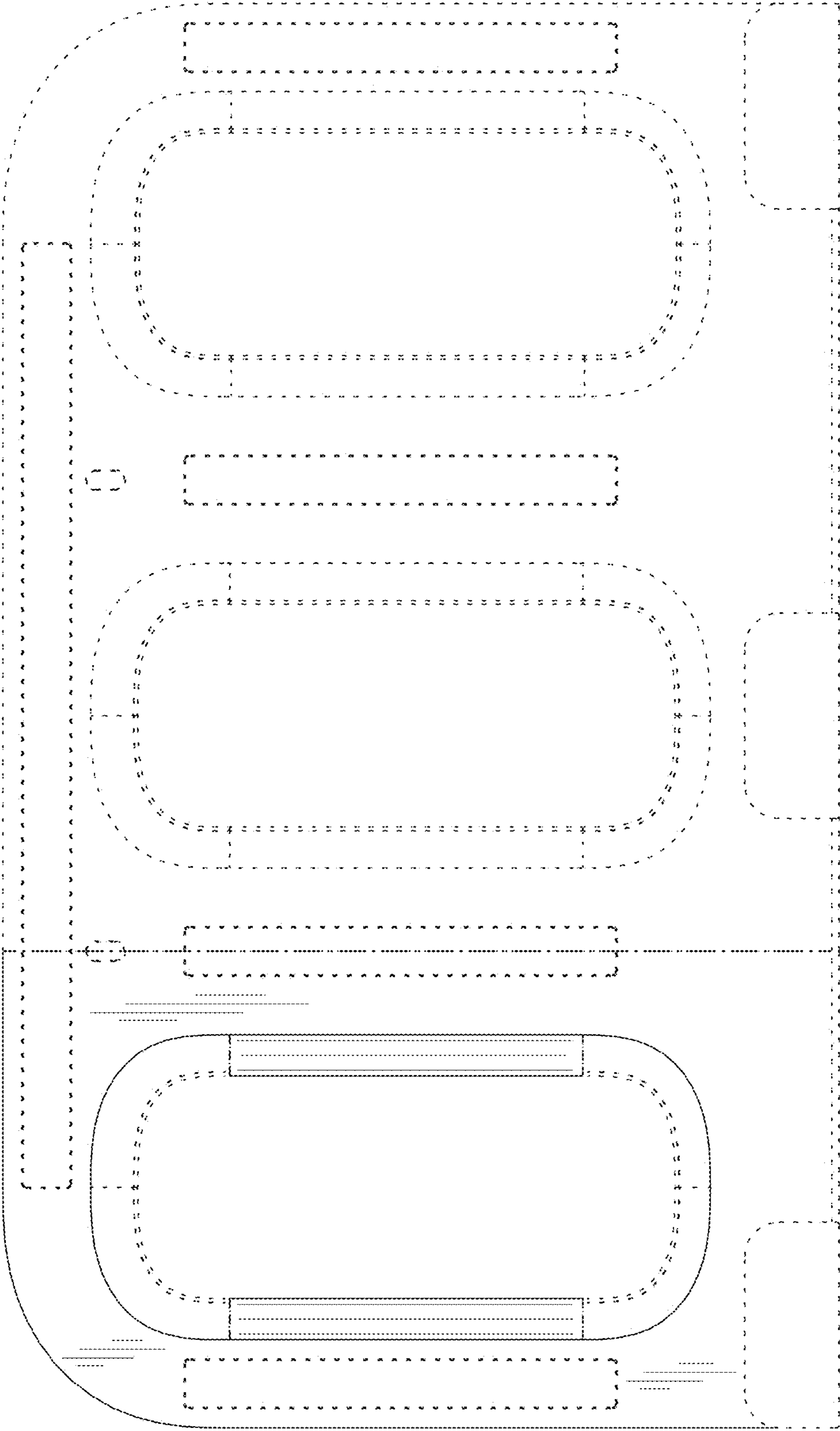


FIG. 6

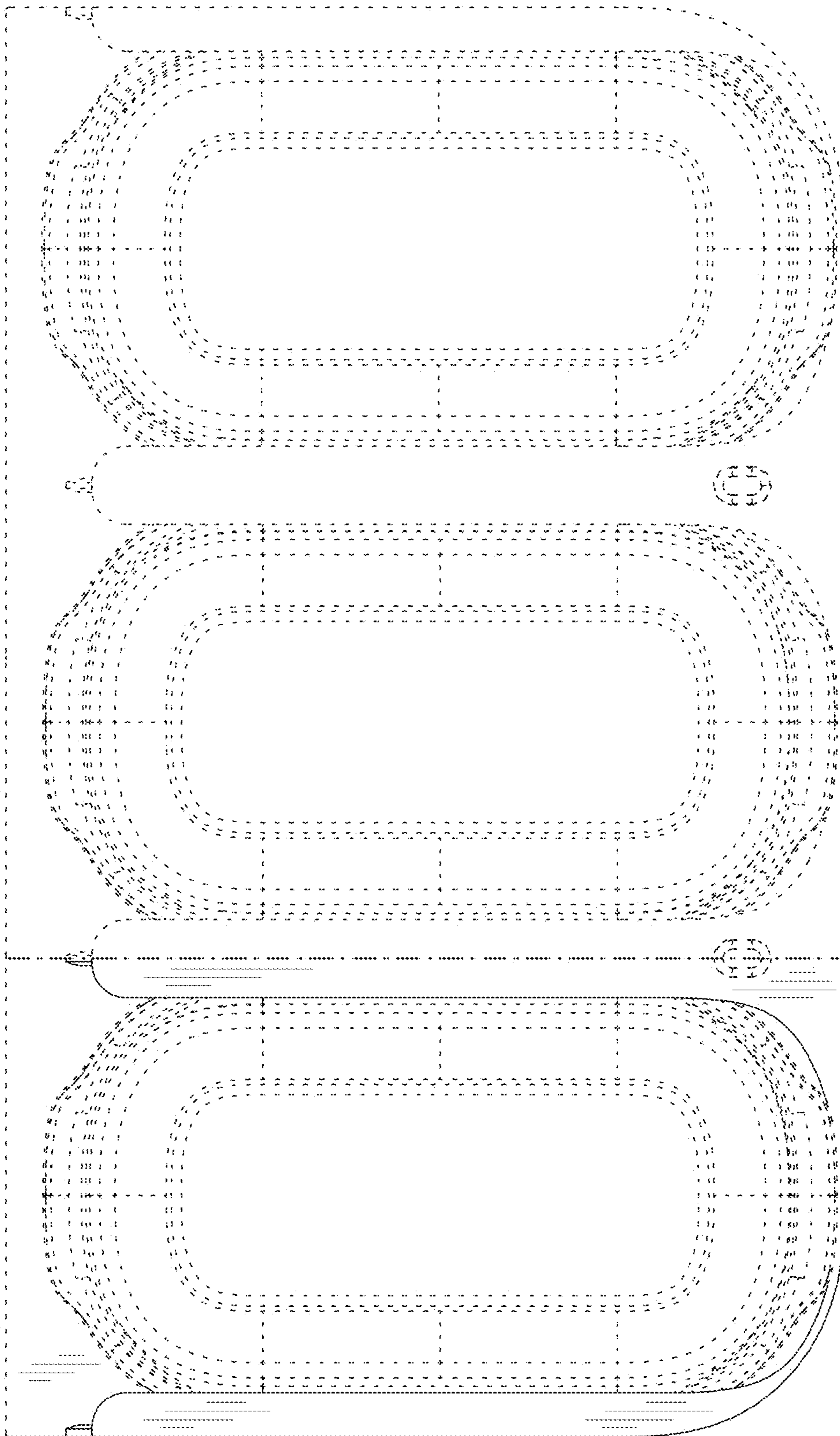


FIG. 7

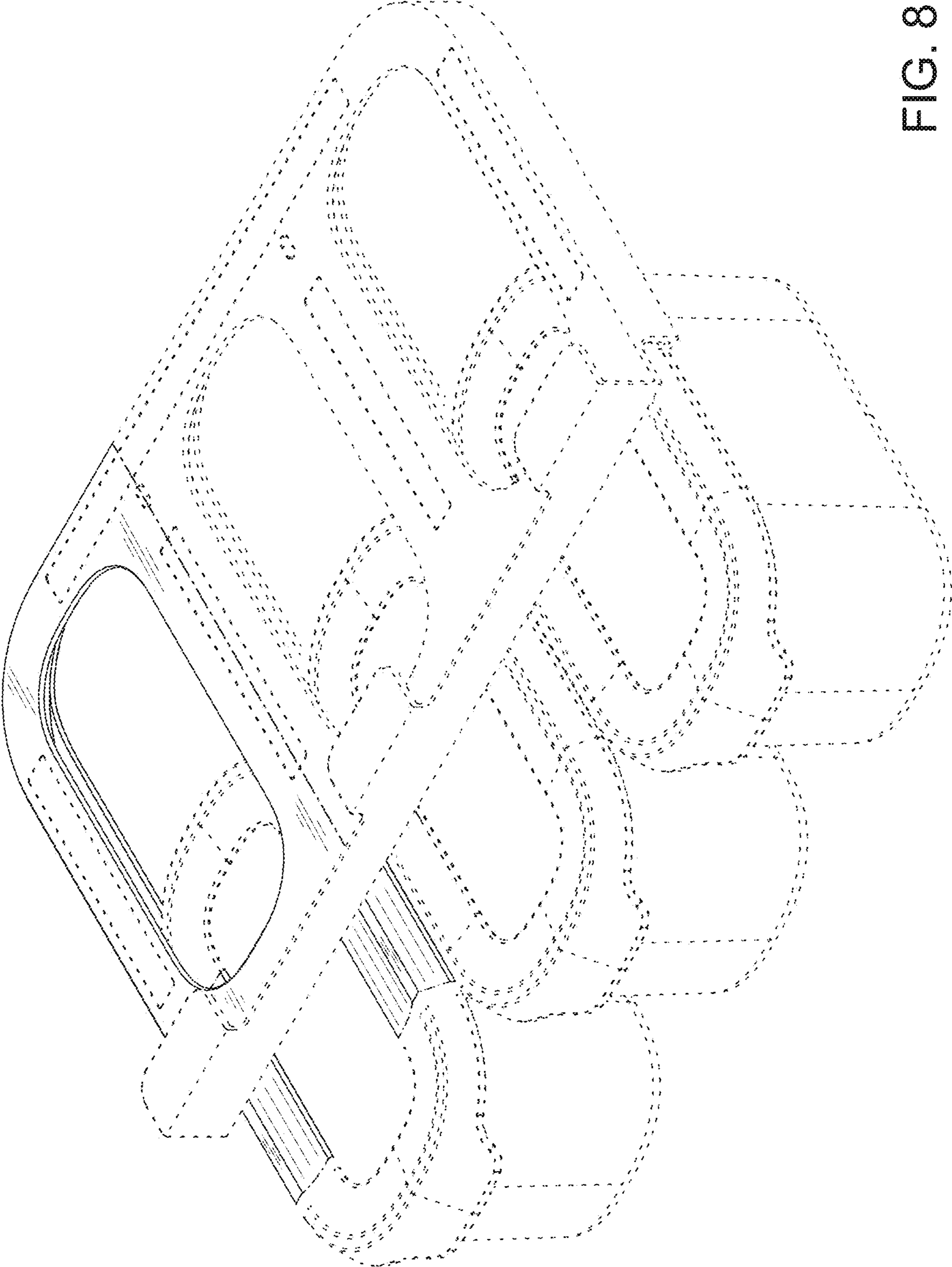


FIG. 8

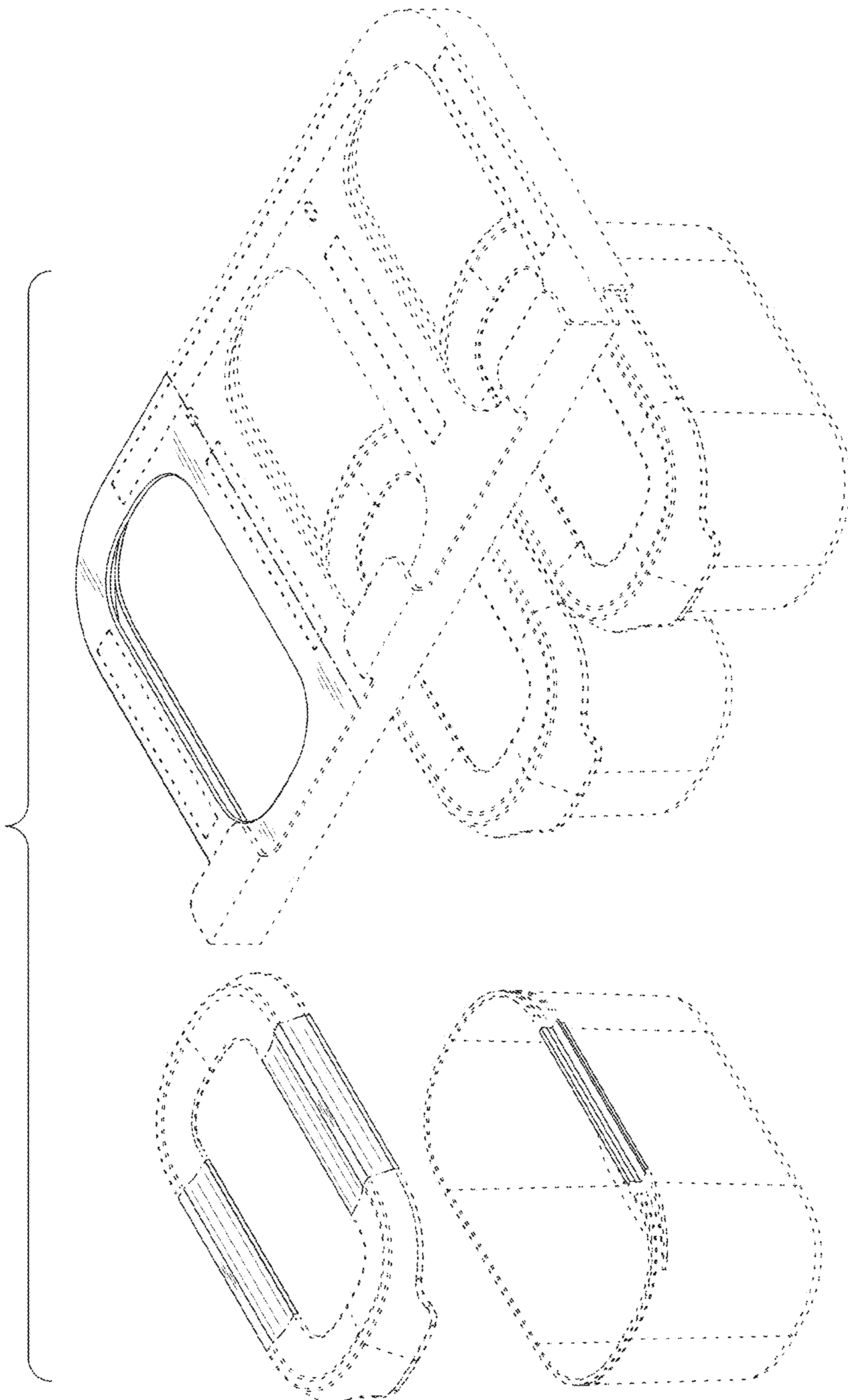


FIG. 9

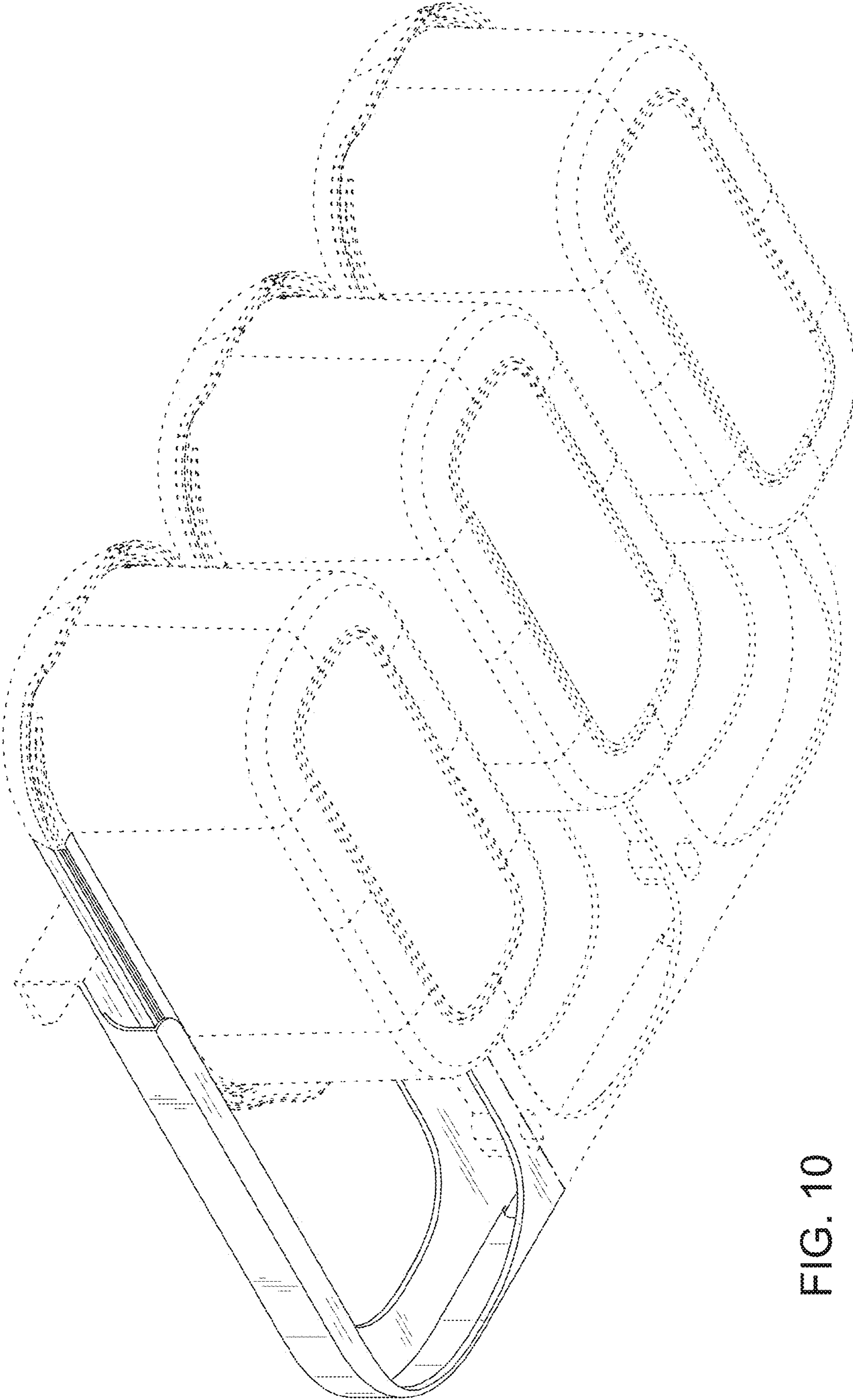


FIG. 10