

US00D968170S

(12) **United States Design Patent** (10) **Patent No.:** **US D968,170 S**
Xu (45) **Date of Patent:** **** Nov. 1, 2022**

(54) **BOWL**
(71) Applicant: **Daowang Xu**, Nanping (CN)
(72) Inventor: **Daowang Xu**, Nanping (CN)
(**) Term: **15 Years**
(21) Appl. No.: **29/774,781**
(22) Filed: **Mar. 19, 2021**
(51) **LOC (13) Cl.** **07-01**
(52) **U.S. Cl.**
USPC **D7/578**
(58) **Field of Classification Search**
USPC D7/503, 506, 513, 514, 539, 543, 544,
D7/545, 546, 549, 553.5, 555, 661, 564,
D7/566, 578, 584, 653, 656, 662;
D30/130, 161
CPC A47G 19/02; A47G 19/30; A47G 23/04;
A47G 19/12; A47G 19/2266; A47G
19/2288; A47G 19/025; A47G 2400/062;
A47J 43/0727; A47J 19/02; B65D 1/36
See application file for complete search history.

D683,190 S * 5/2013 Shields D7/567
D683,592 S * 6/2013 Shields D7/567
D693,646 S * 11/2013 Katterheinrich D7/555
D703,486 S * 4/2014 Anzalone D7/567
D708,904 S * 7/2014 Coyle B65D 25/30
D7/544
D734,641 S * 7/2015 Ginsburg D7/545
D743,212 S * 11/2015 Habig D7/555
D772,493 S * 11/2016 Wu D30/129
D838,142 S * 1/2019 Davies D7/553.2
D840,759 S * 2/2019 Wrightson D7/555
D853,198 S * 7/2019 Huang A47G 23/06
D7/551.1

(56) **References Cited**

U.S. PATENT DOCUMENTS

D255,968 S * 7/1980 Shack B65D 1/36
D7/567
D358,739 S * 5/1995 Brown D7/544
D390,418 S * 2/1998 Jagger D7/549
D467,125 S * 12/2002 Orr D7/541
D480,922 S * 10/2003 Bulcher D7/553.1
D481,592 S * 11/2003 Bulcher D7/553.1
D483,998 S * 12/2003 Bulcher D7/553.1
D502,843 S * 3/2005 Tollman D7/505
D510,503 S * 10/2005 Tollman D7/505
D541,994 S * 5/2007 Dana D30/129
7,337,943 B2 * 3/2008 Johns B65D 1/36
220/555
D676,710 S * 2/2013 Kwok D7/564

OTHER PUBLICATIONS

Baby Soft Silicone bowl, eBay.com. Retrieved from the internet
Aug. 24, 2022<[https://www.ebay.com/itm/354222157182?hash=](https://www.ebay.com/itm/354222157182?hash=item5279492d7e:g:UJgAAOSwgr1i96hW)
[item5279492d7e:g:UJgAAOSwgr1i96hW](https://www.ebay.com/itm/354222157182?hash=item5279492d7e:g:UJgAAOSwgr1i96hW) (Year: 2022).*

(Continued)

Primary Examiner — Joseph Kukella
Assistant Examiner — Darryl J Dardenne

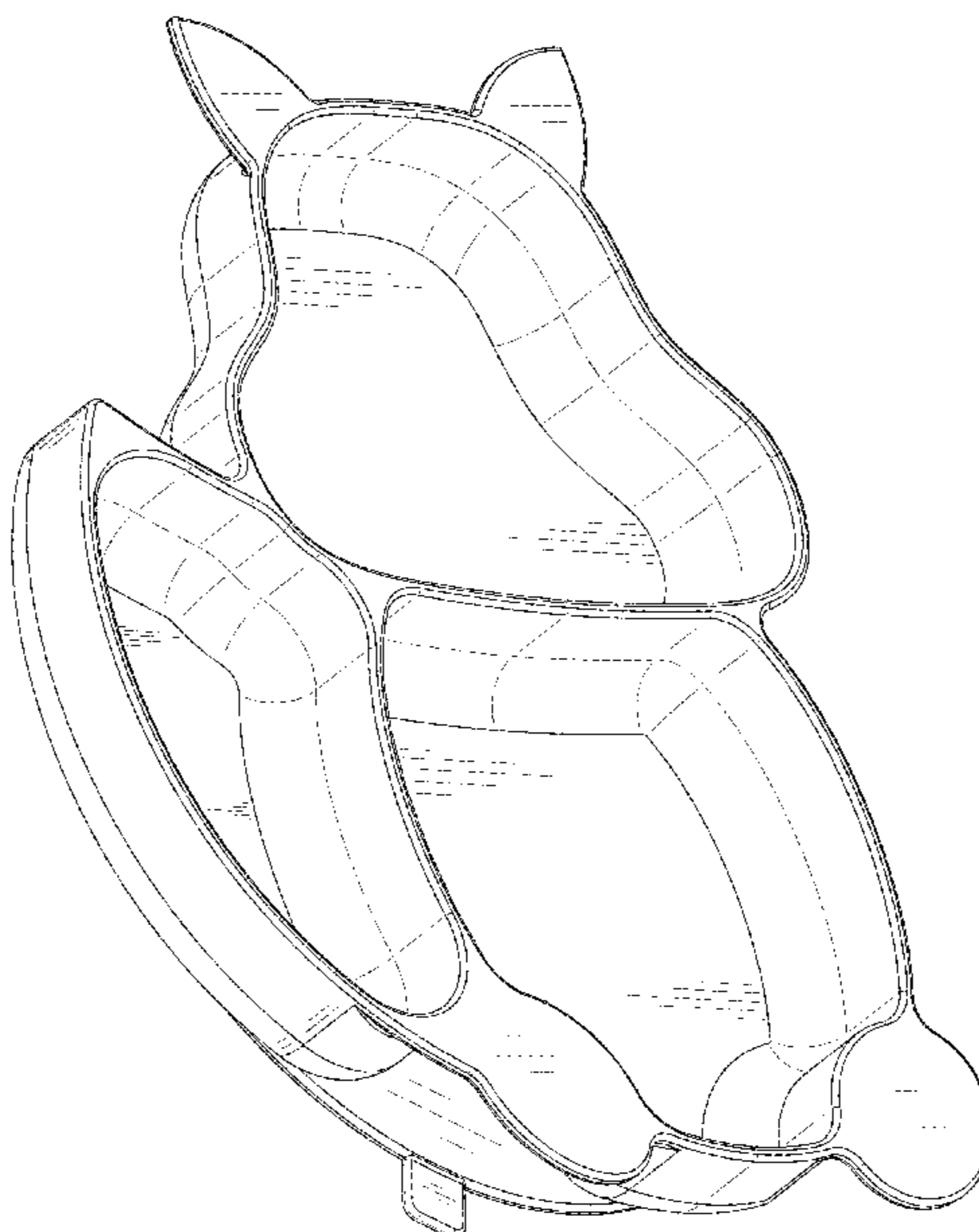
(57) **CLAIM**

The ornamental design for a bowl, as shown and described.

DESCRIPTION

FIG. 1 is a perspective view of a bowl showing my new design;
FIG. 2 is another perspective view thereof;
FIG. 3 is a front elevational view thereof;
FIG. 4 is a rear elevational view thereof;
FIG. 5 is a left side elevational view thereof;
FIG. 6 is a right side elevational view thereof;
FIG. 7 is a top plan view thereof; and,
FIG. 8 is a bottom plan view thereof.

1 Claim, 8 Drawing Sheets



(56)

References Cited

OTHER PUBLICATIONS

Children's Tableware Suction bowl, buybuybaby.com. Retrieved from the internet Aug. 24, 2022<<https://www.buybuybaby.com/store/product/7-piece-children-s-tableware-suction-bowl-utensils-bib-catcher-sky/7006489?> (Year: 2022).*

* cited by examiner

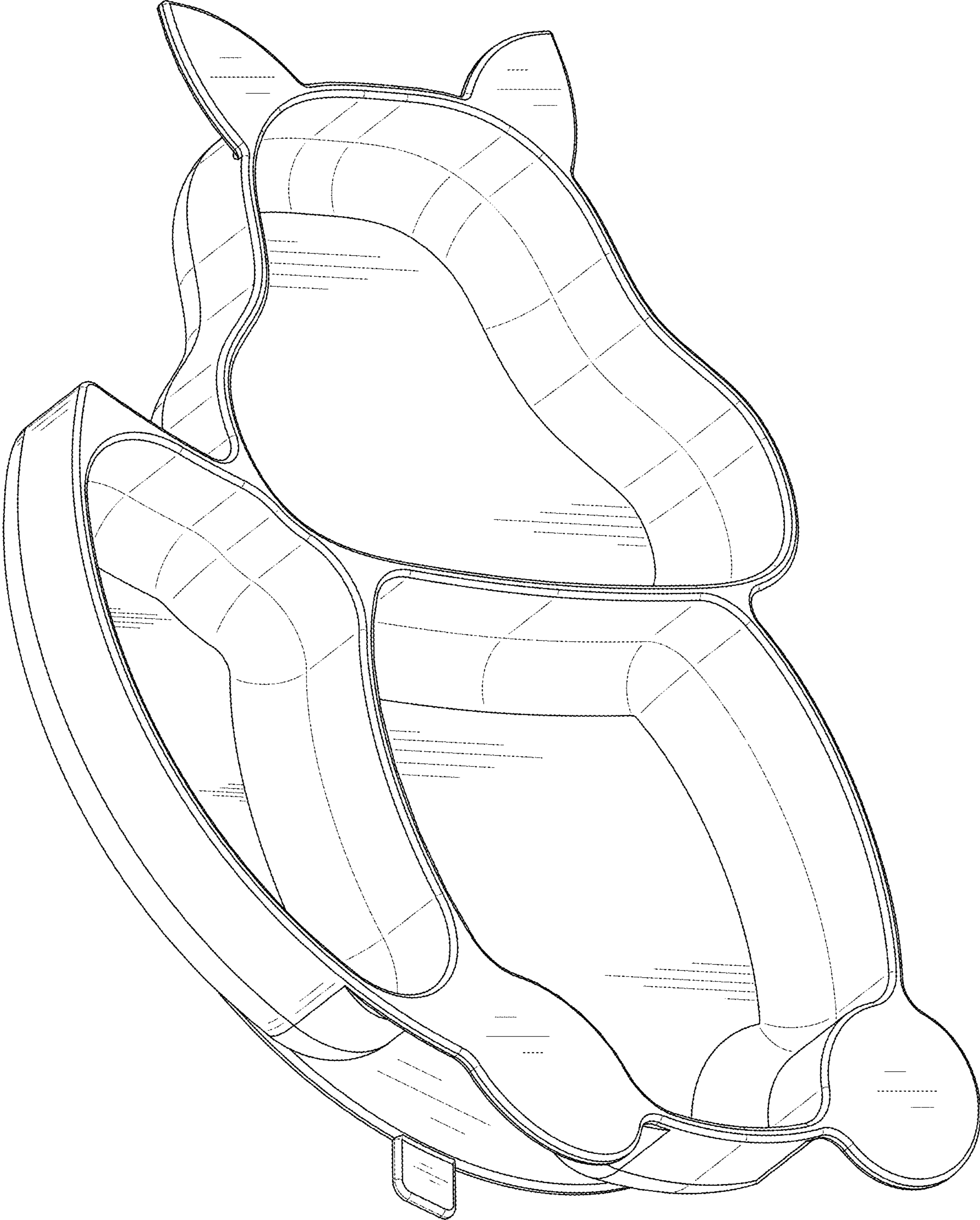


FIG. 1

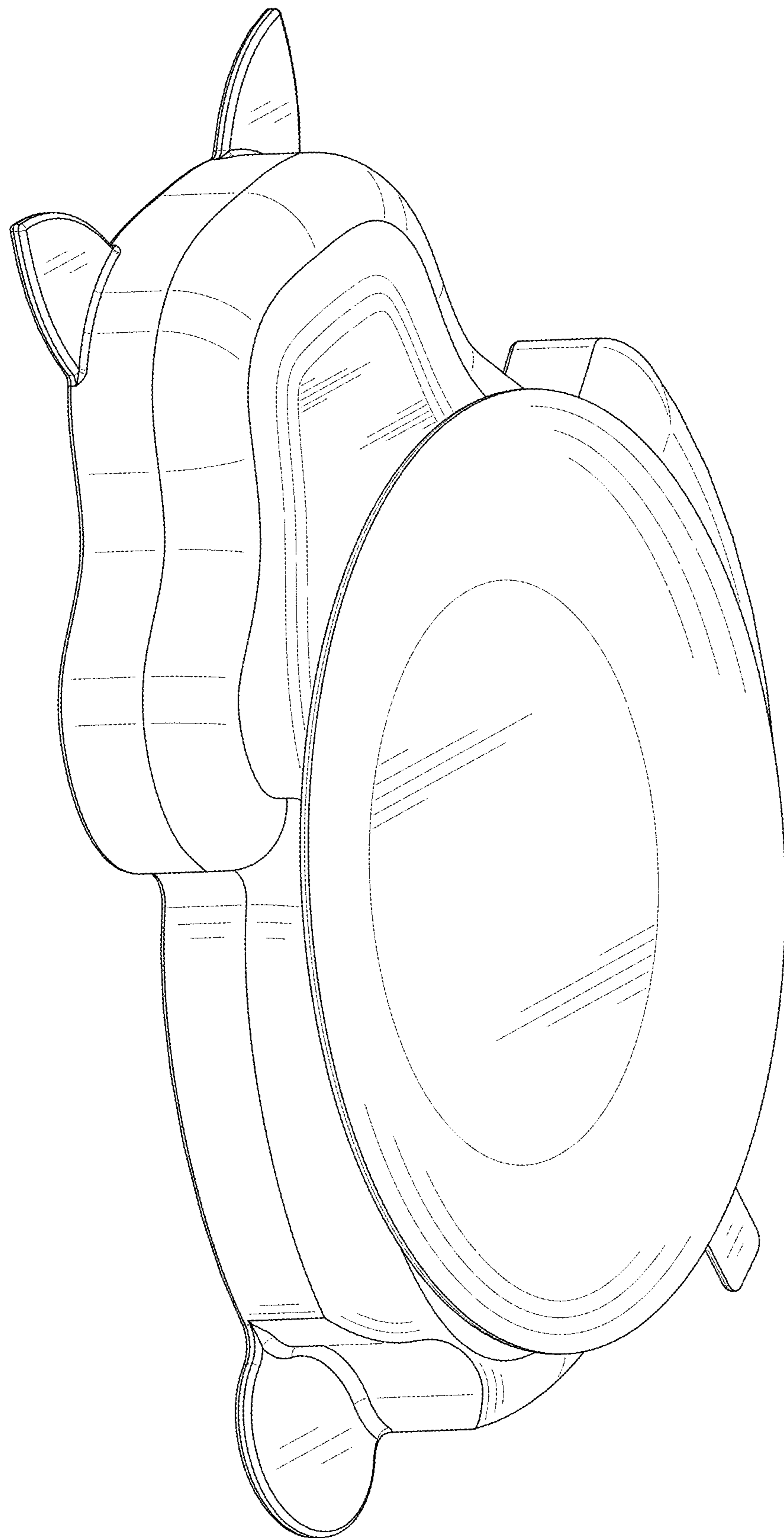


FIG. 2

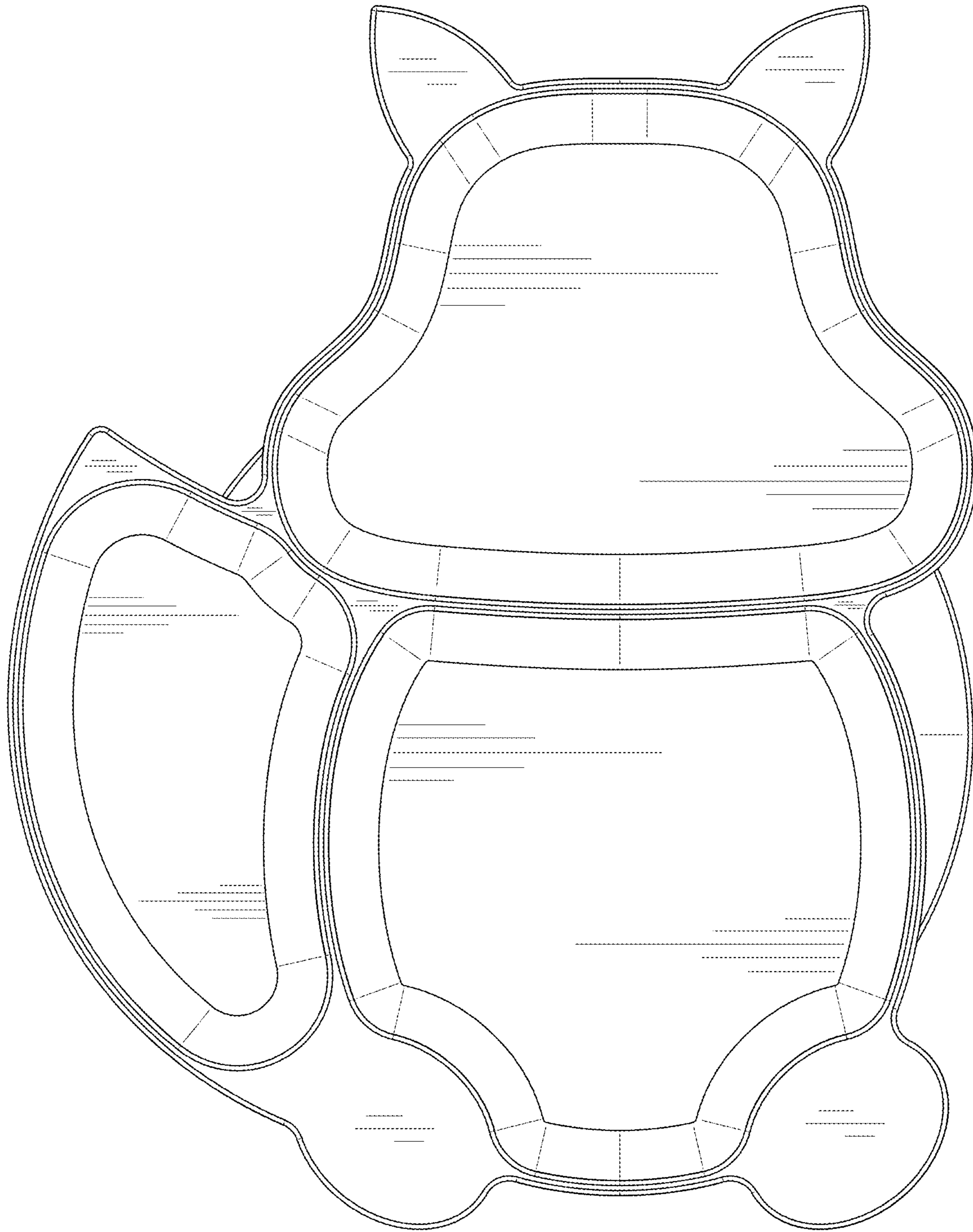


FIG. 3

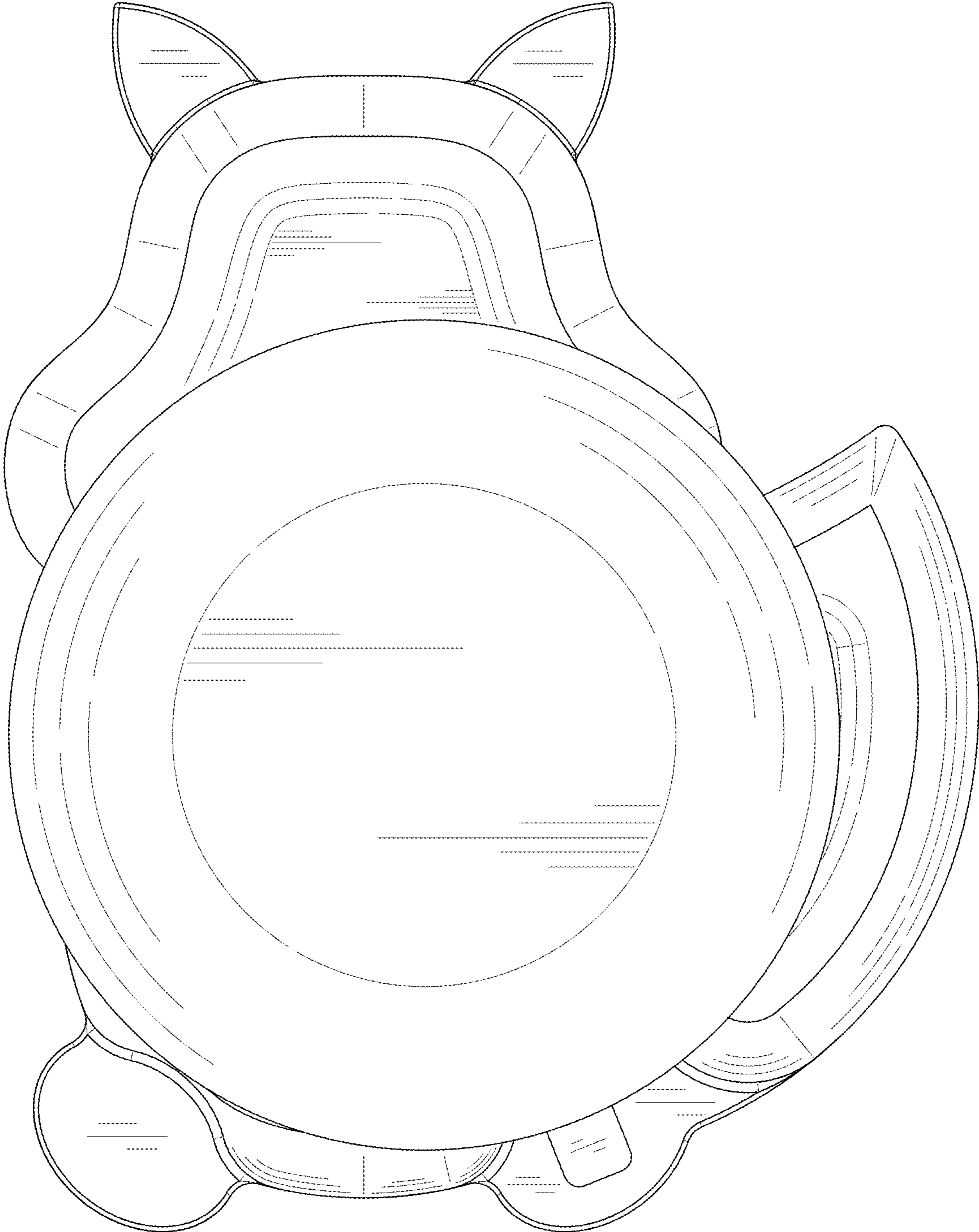


FIG. 4

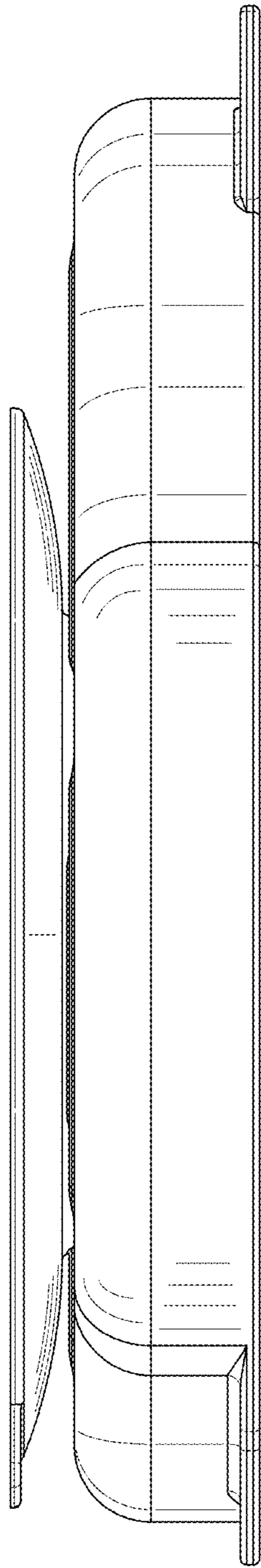


FIG. 5

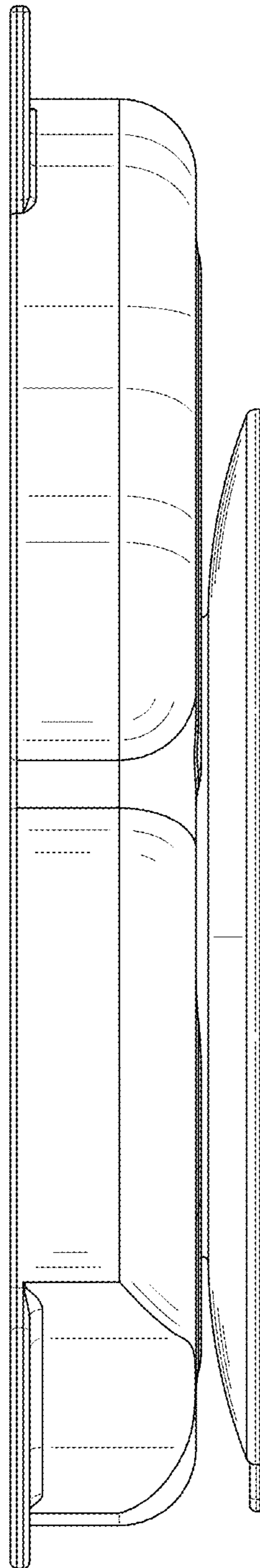


FIG. 6

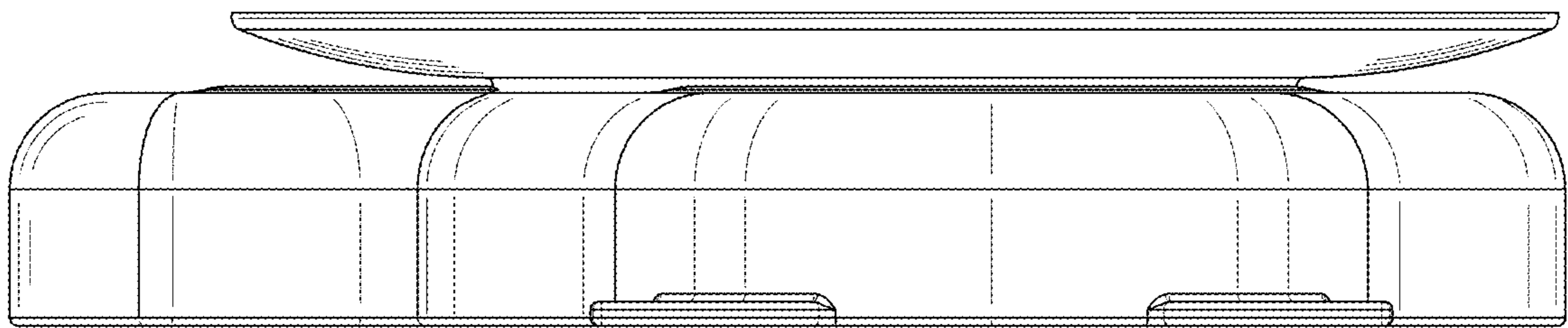


FIG. 7

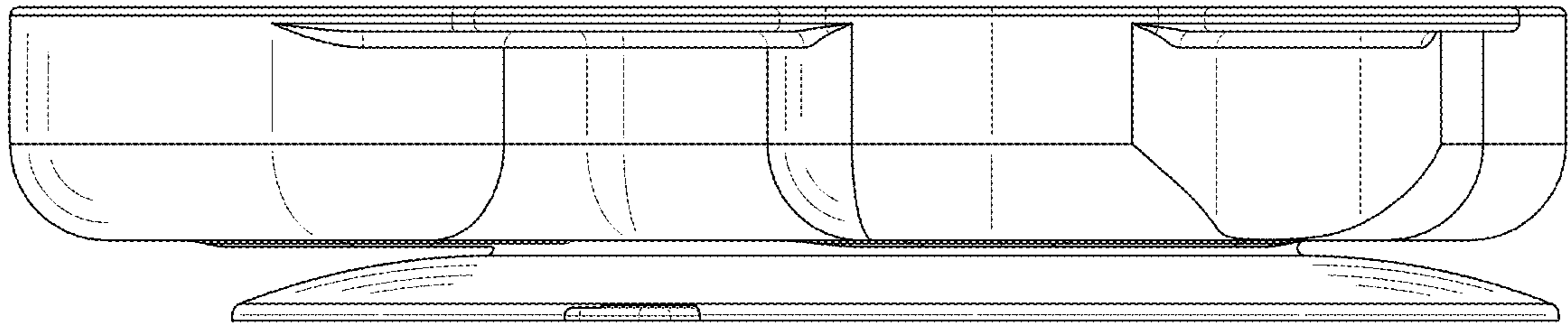


FIG. 8