



US00D968169S

(12) **United States Design Patent** (10) **Patent No.:** **US D968,169 S**
Wang (45) **Date of Patent:** **** Nov. 1, 2022**

(54) **TRAY**

(71) Applicant: **Haibo Wang**, Shenzhen (CN)

(72) Inventor: **Haibo Wang**, Shenzhen (CN)

(**) Term: **15 Years**

(21) Appl. No.: **29/819,423**

(22) Filed: **Dec. 15, 2021**

(51) **LOC (13) Cl.** **07-01**

(52) **U.S. Cl.**
USPC **D7/553.2**

(58) **Field of Classification Search**
USPC D7/500, 555, 550.1, 552.2, 553.2, 553.3,
D7/553.5, 554.3, 554.4, 600-601, 600.1;
D3/304, 313
CPC . B65D 1/00; B65D 1/34; B65D 1/243; B65D
2501/24019; B65D 2501/24165; B65D
11/18; B65D 85/30; A47G 19/02; A47G
19/30; A47G 21/08; A47G 23/06; A47G
23/0608

See application file for complete search history.

(56) **References Cited**

U.S. PATENT DOCUMENTS

D285,638 S *	9/1986	Trivison	D7/557
D352,203 S *	11/1994	Campbell	D7/546
D417,785 S *	12/1999	Daniels	D9/425
D426,110 S *	6/2000	Schmidt	D7/553.3
D446,391 S	8/2001	Sterling et al.	
D476,813 S	7/2003	Mange	
D648,635 S *	11/2011	Golota	D9/737
D677,055 S	3/2013	Nowicky	
D708,852 S	7/2014	Ghiorgie	
D727,623 S	4/2015	Nickell	
D729,588 S *	5/2015	Breton	D7/553.2
D731,248 S *	6/2015	Breton	D7/553.2

(Continued)

Primary Examiner — Kelley A Donnelly

(74) *Attorney, Agent, or Firm* — Runit Ranjit Kanakia

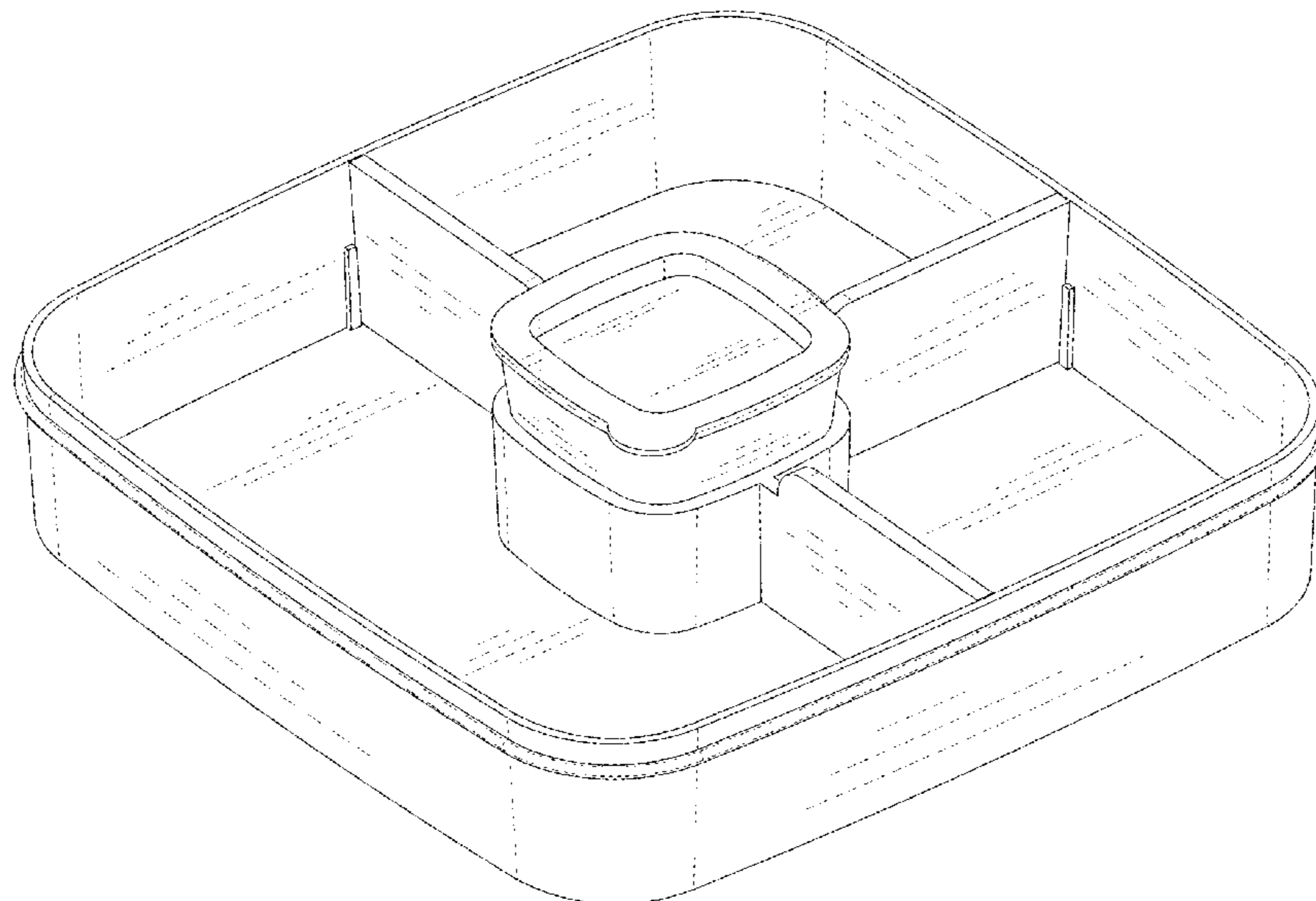
(57) **CLAIM**

The ornamental design for a tray, as shown and described.

DESCRIPTION

FIG. 1 is a perspective view of a first embodiment of a tray showing my new design;
 FIG. 2 is the second perspective view of the first embodiment thereof;
 FIG. 3 is the third perspective view of the first embodiment thereof;
 FIG. 4 is the fourth perspective view of the first embodiment of the tray;
 FIG. 5 is a front elevational view of the first embodiment thereof;
 FIG. 6 is a rear elevational view of the first embodiment thereof;
 FIG. 7 is a left elevational view of the first embodiment thereof;
 FIG. 8 is a right side view of the first embodiment thereof;
 FIG. 9 is a top side view of the first embodiment thereof;
 FIG. 10 is a bottom plan view of the first embodiment thereof;
 FIG. 11 is a perspective view of a second embodiment of the tray;
 FIG. 12 is the second perspective view of the second embodiment of the tray;
 FIG. 13 is the third perspective view of the second embodiment of the tray;
 FIG. 14 is the fourth perspective view of the second embodiment of the tray;
 FIG. 15 a front view of the second embodiment of the tray, the rear, left and right views are identical;
 FIG. 16 a top side view of the second embodiment thereof;
 and,
 FIG. 17 a bottom side view of the second embodiment thereof.

1 Claim, 15 Drawing Sheets



(56)

References Cited

U.S. PATENT DOCUMENTS

D734,098 S * 7/2015 Breton D7/553.6
D745,807 S * 12/2015 Harris D7/553.2
D747,151 S * 1/2016 Liming D7/553.6
D782,249 S * 3/2017 McClinton D7/543
D803,627 S * 11/2017 Wrightson D7/553.2
D807,642 S 1/2018 Greenwood
D829,509 S * 10/2018 Malak D7/553.1
D834,314 S 11/2018 Nicoline
D837,606 S * 1/2019 Dwork D7/584
D837,607 S * 1/2019 Dwork D7/584
D840,759 S * 2/2019 Wrightson D7/555
D843,724 S 3/2019 Drendel
D876,836 S 3/2020 Stevens
D887,782 S * 6/2020 Eager D7/553.1
D926,525 S * 8/2021 Bohn D7/553.2
D926,526 S * 8/2021 Bohn D7/553.2
D935,182 S 11/2021 Strum
11,412,896 B1 * 8/2022 Fager A47G 19/03

* cited by examiner

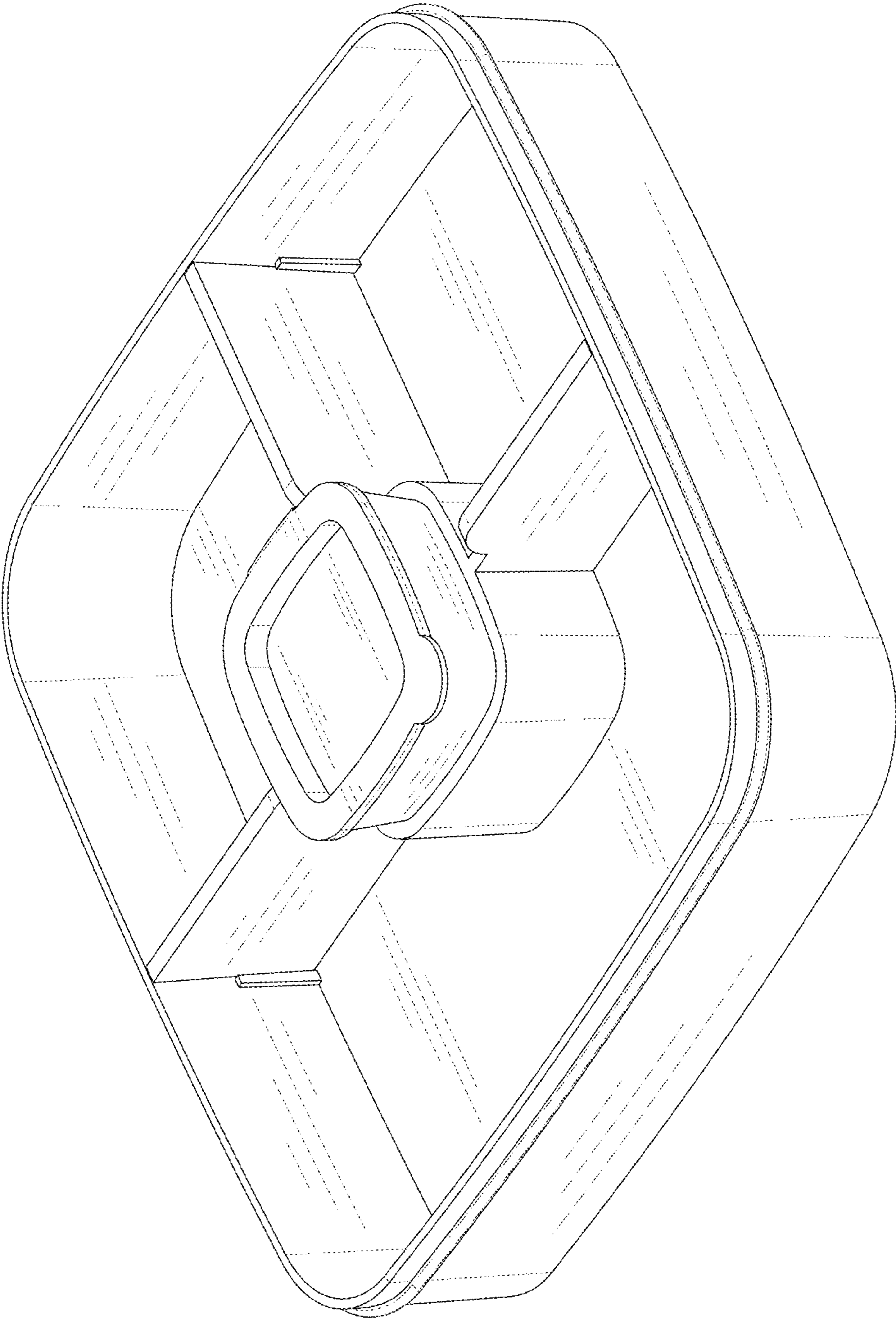


FIG. 1

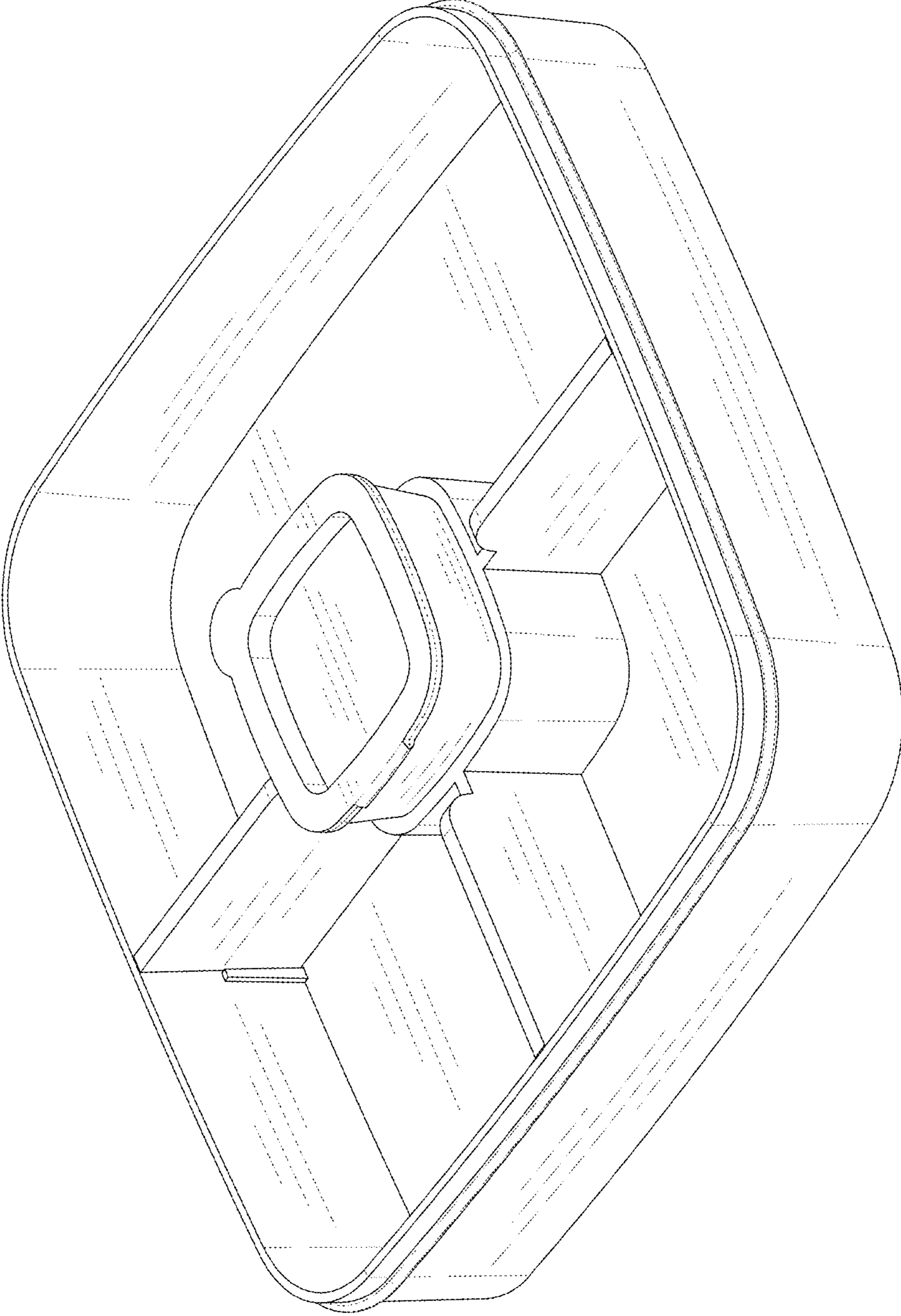


FIG. 2

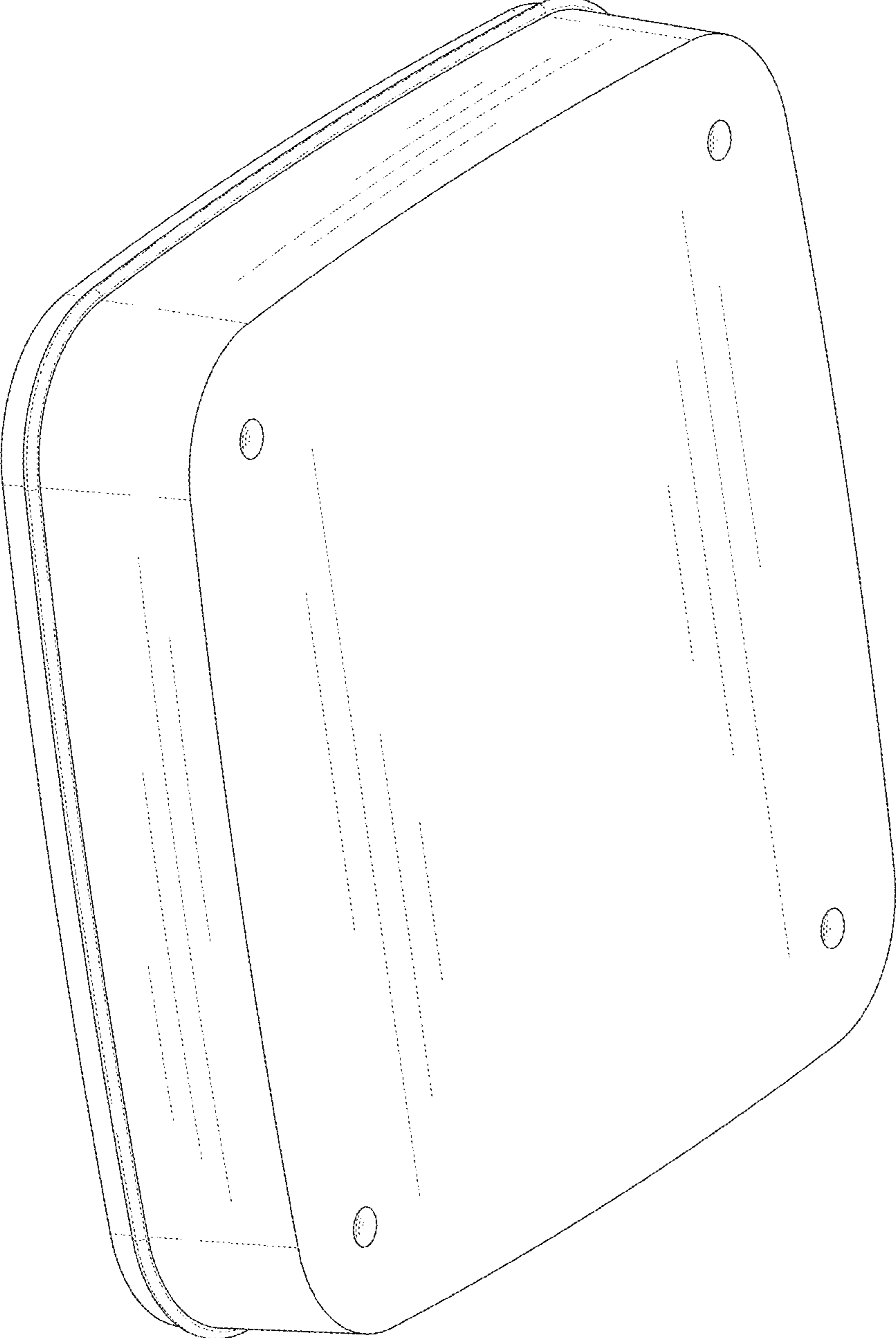


FIG. 3

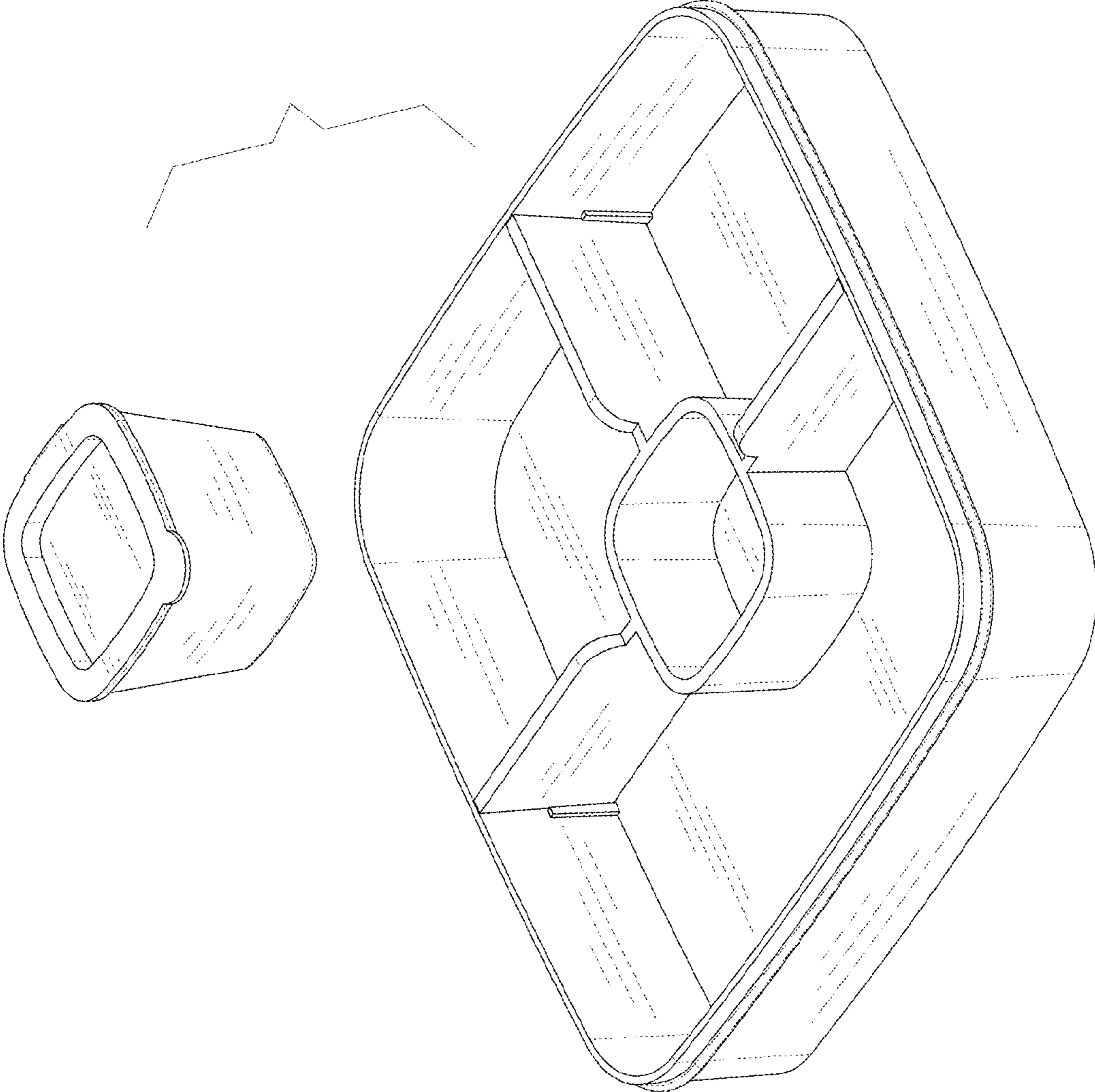


FIG. 4

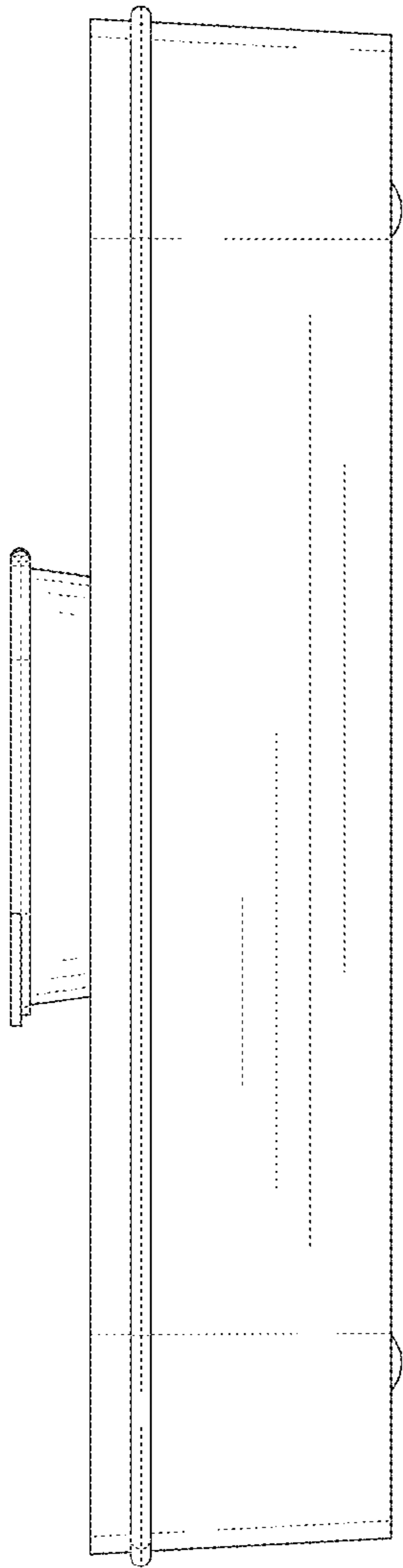


FIG. 5

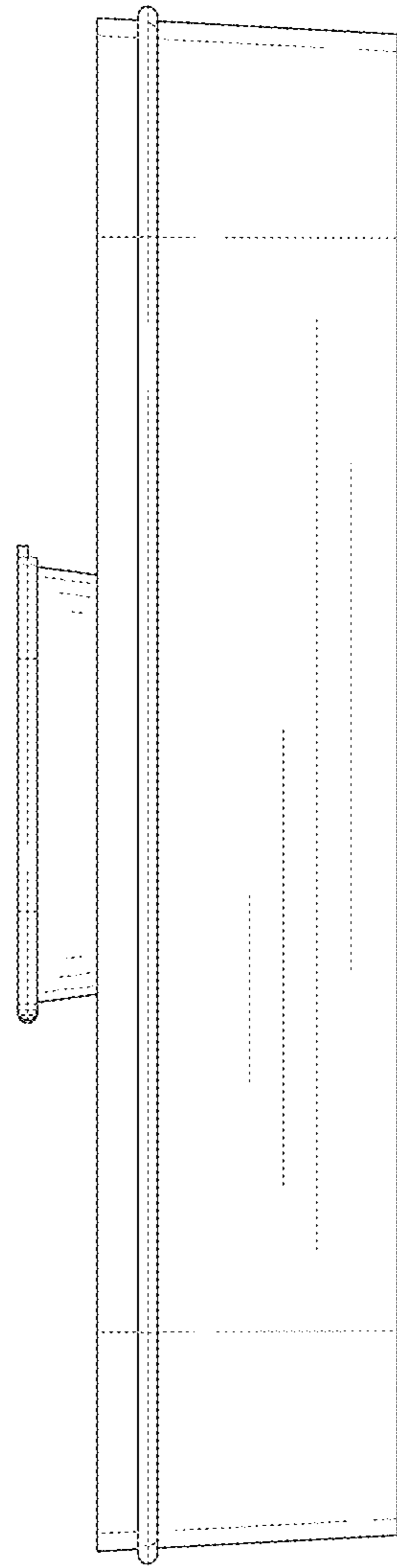


FIG. 6

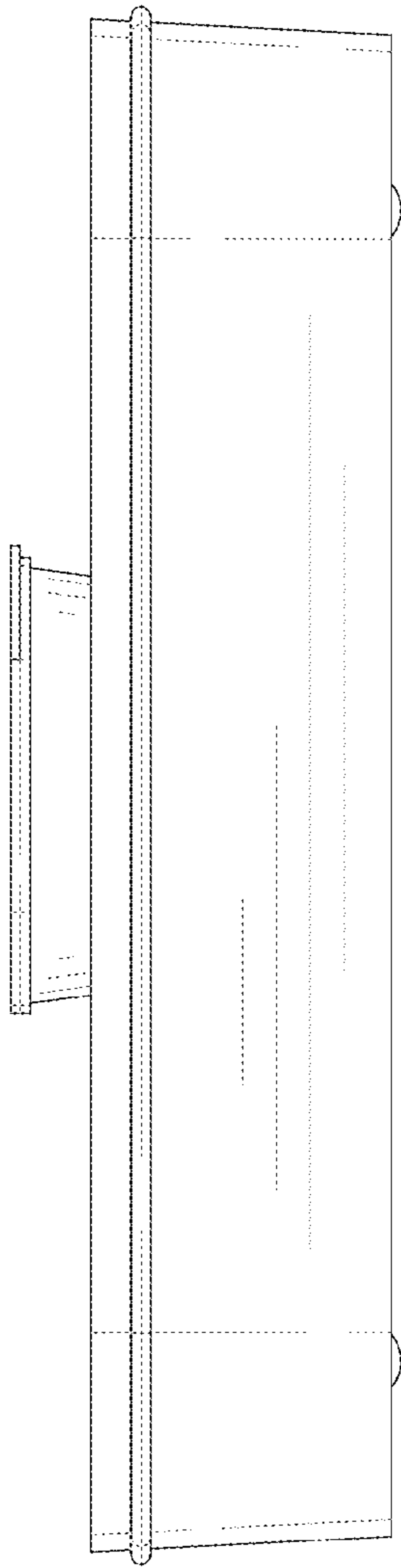


FIG. 7

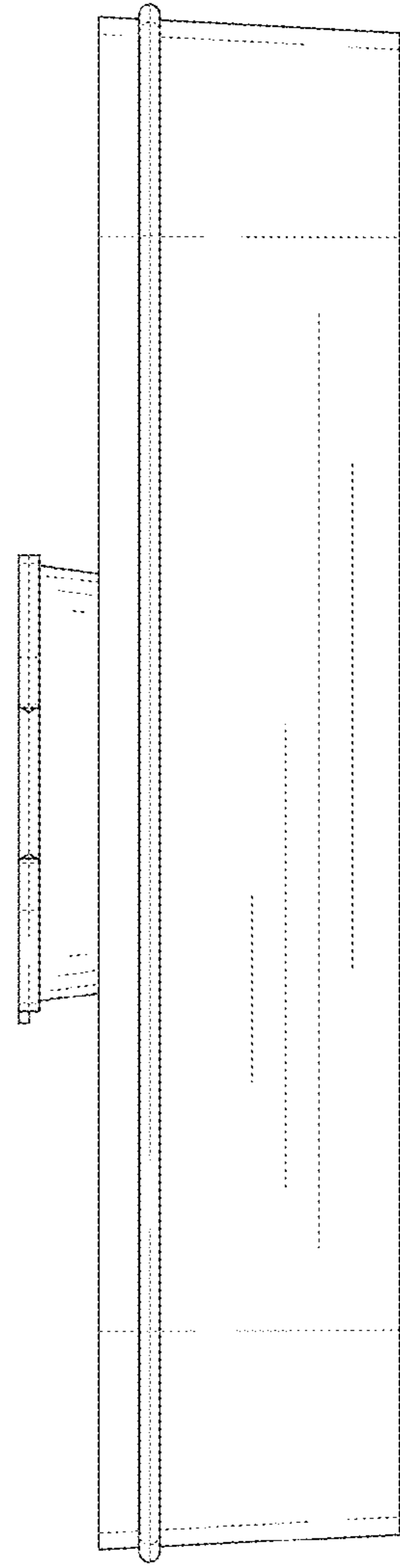


FIG. 8

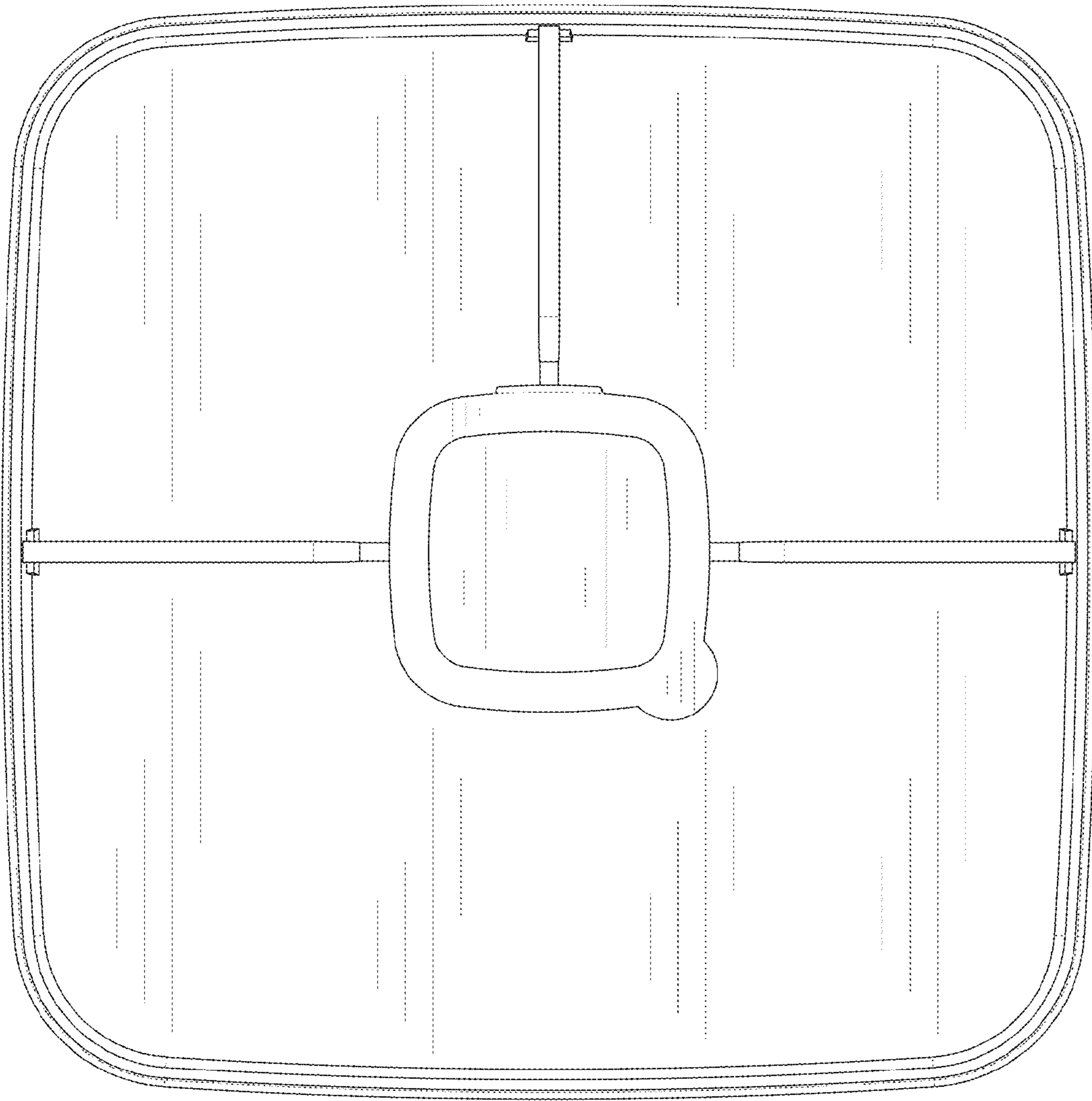


FIG. 9

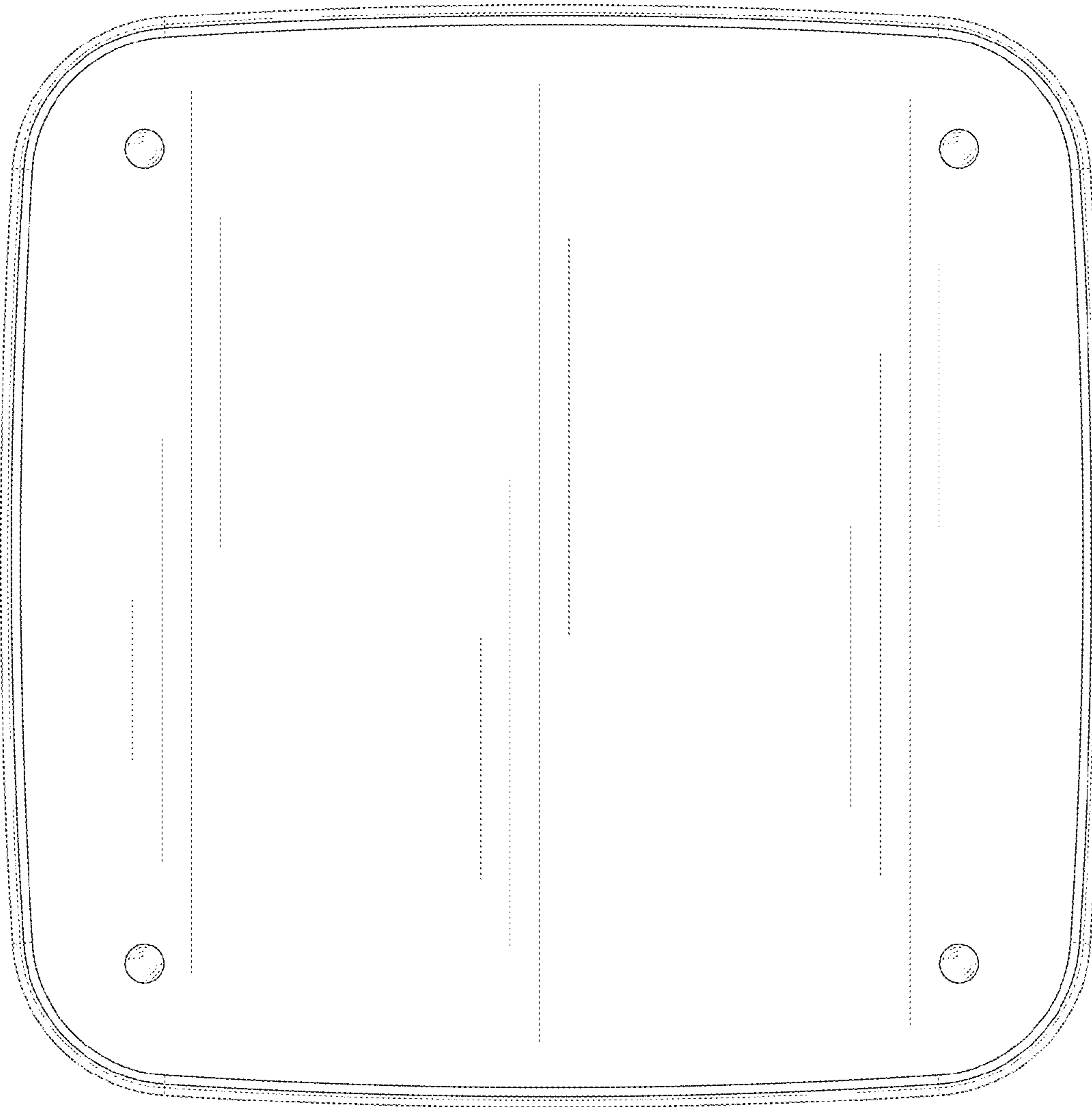


FIG. 10

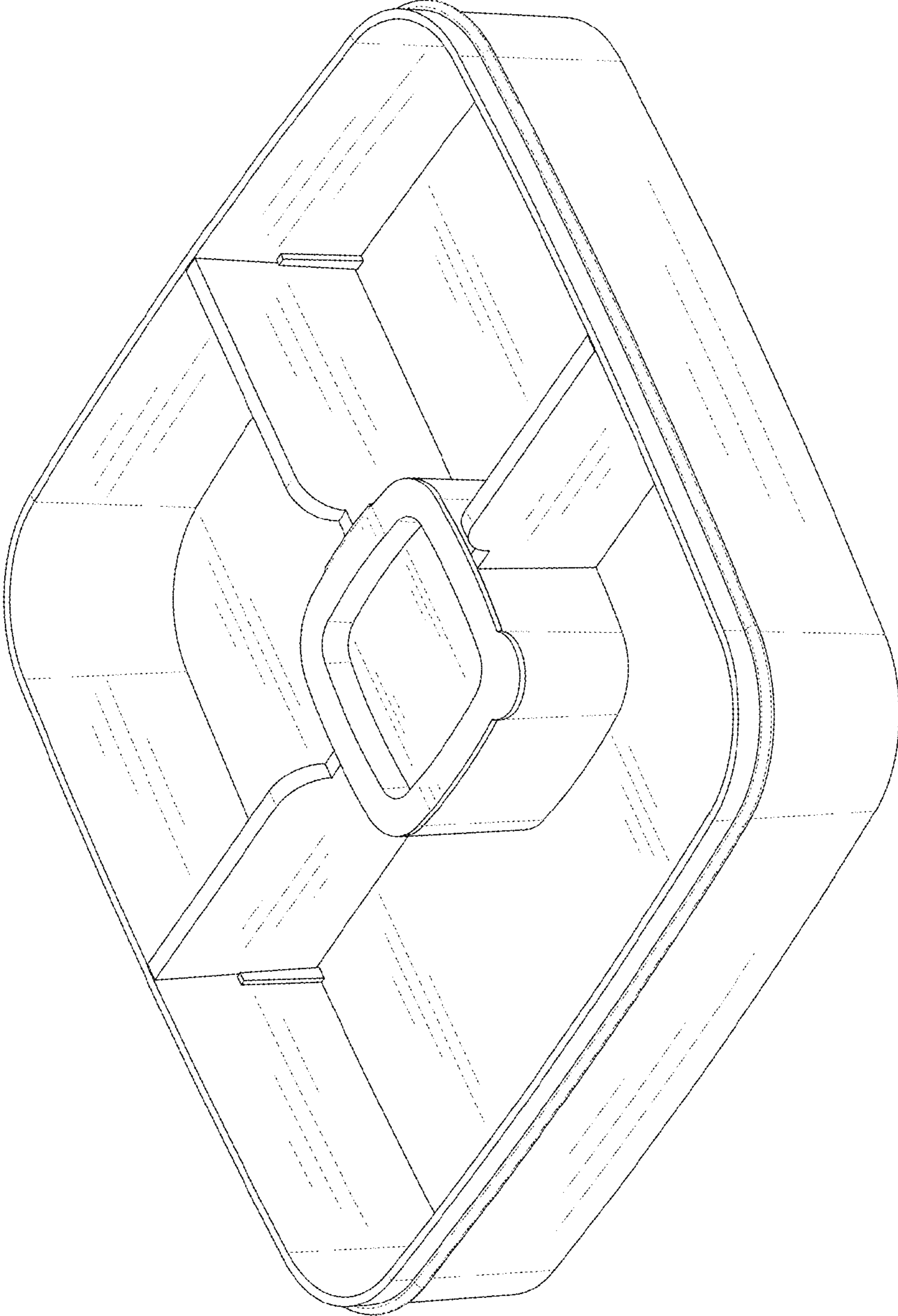


FIG. 11

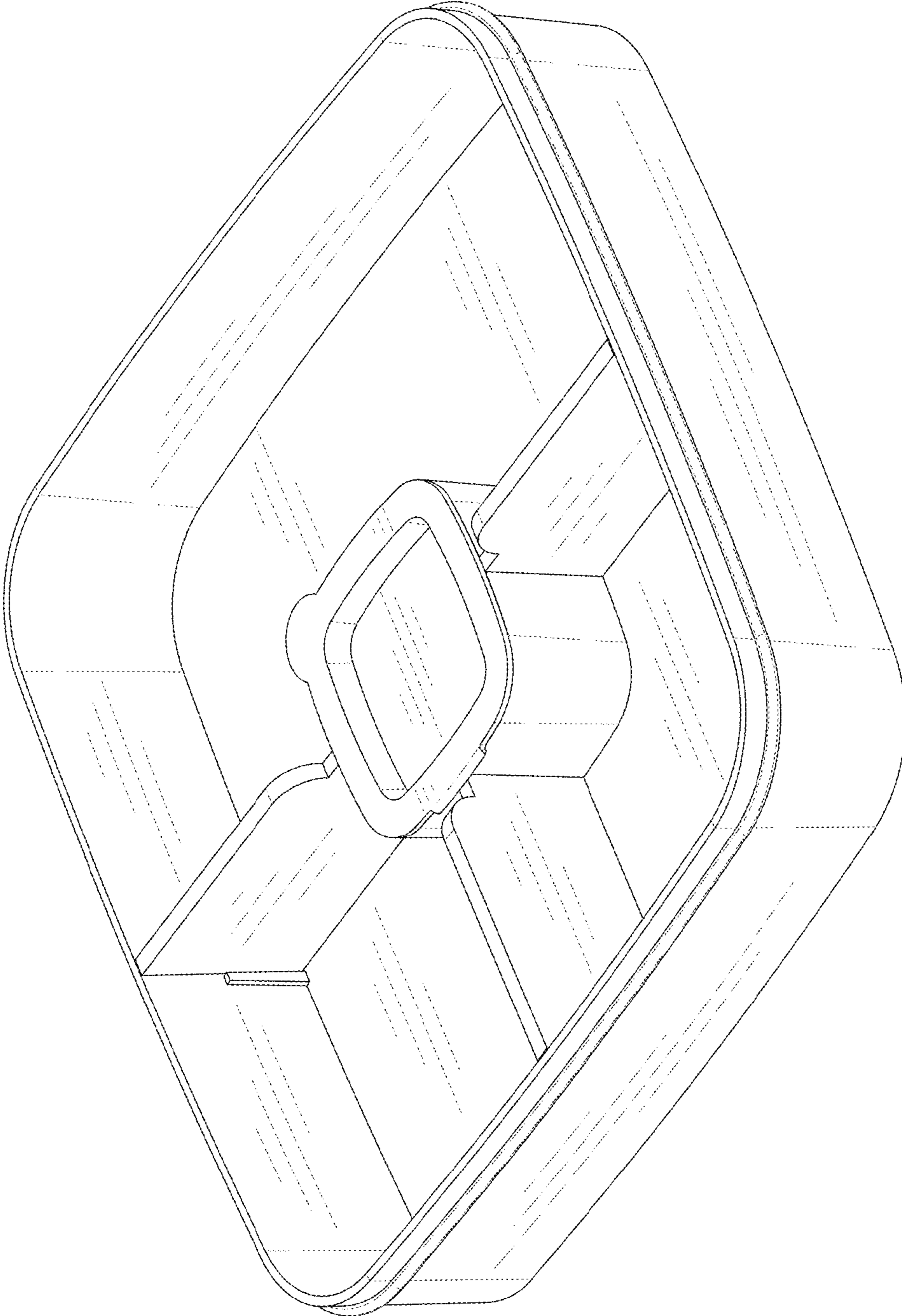


FIG. 12

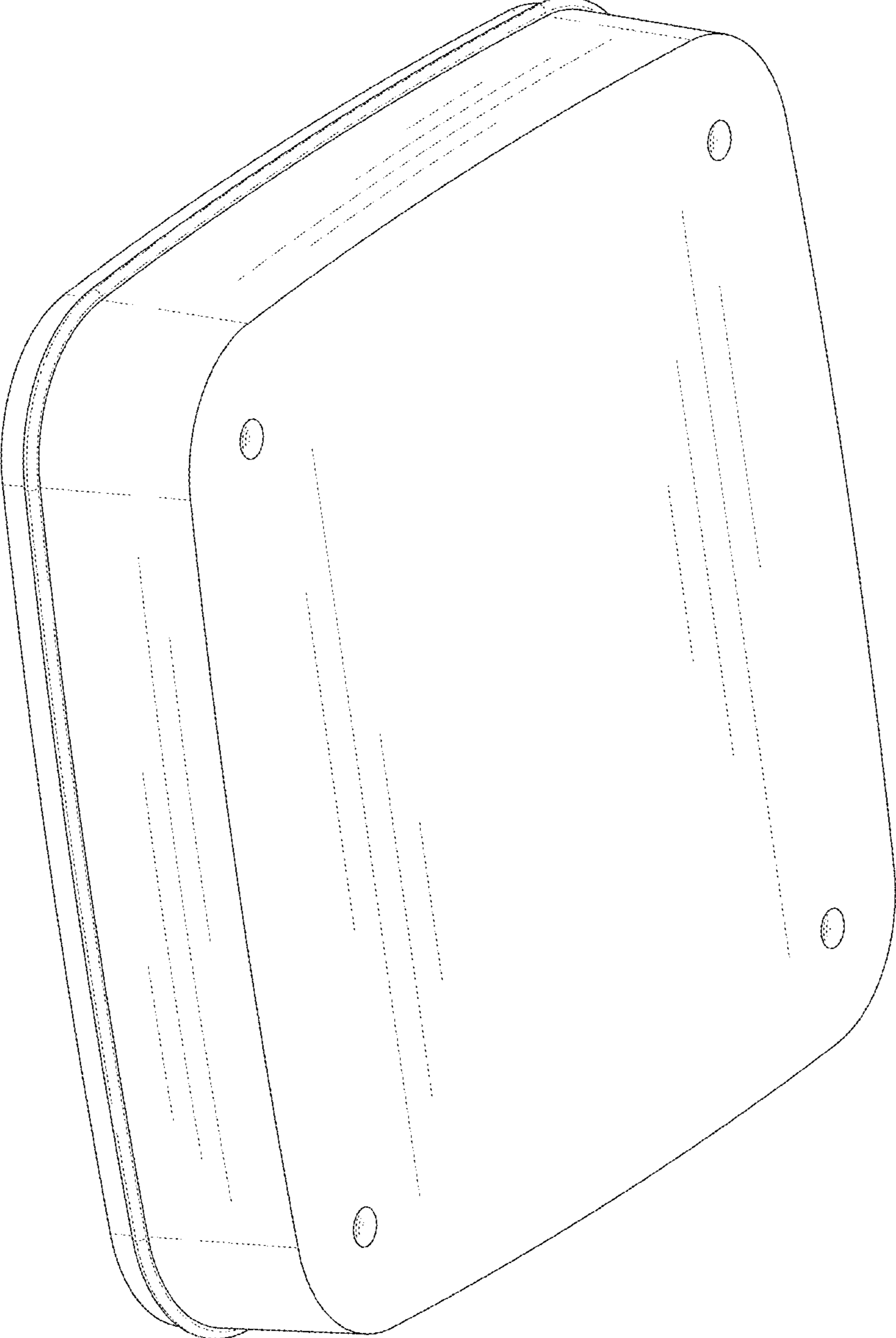


FIG. 13

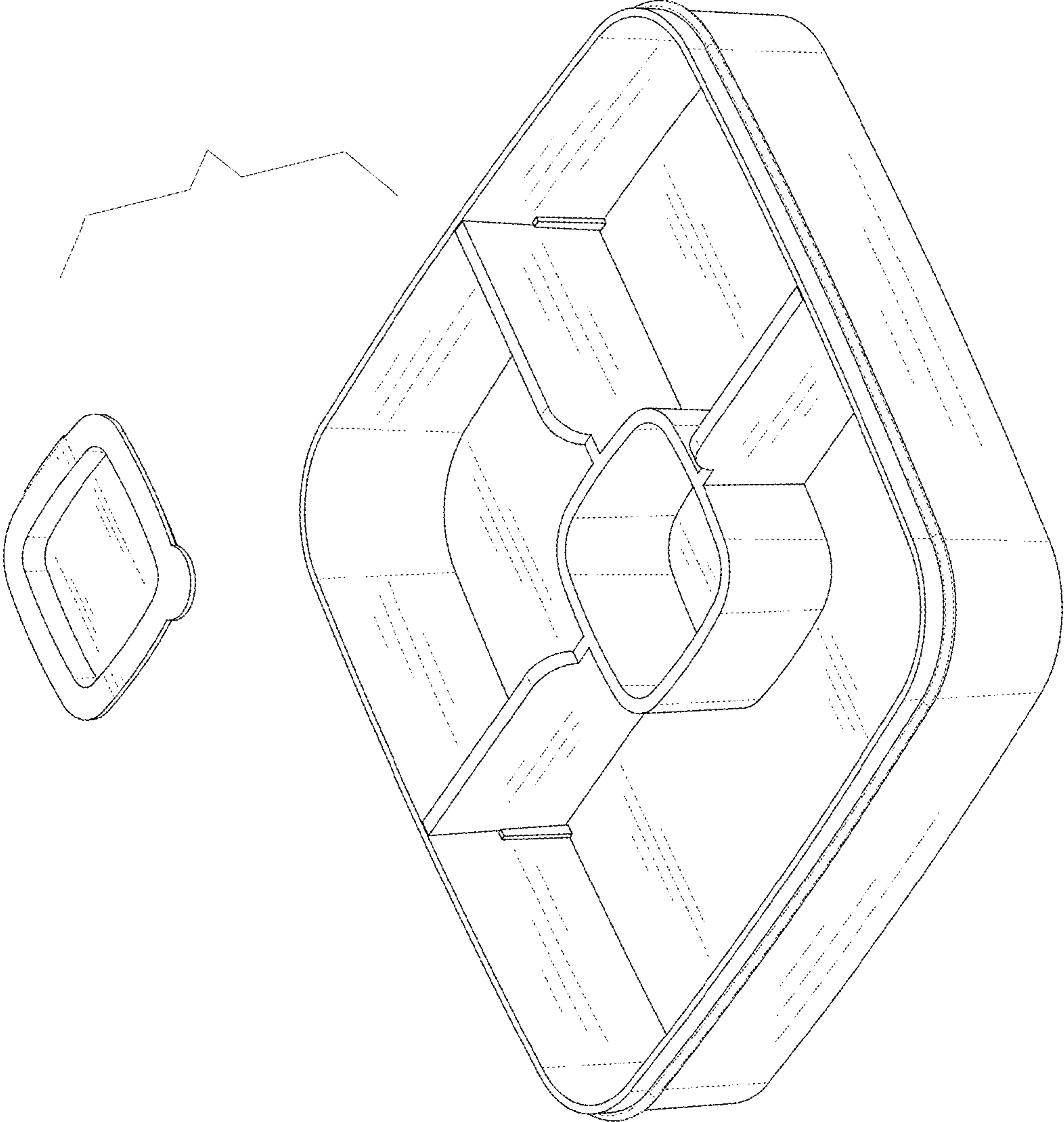


FIG. 14

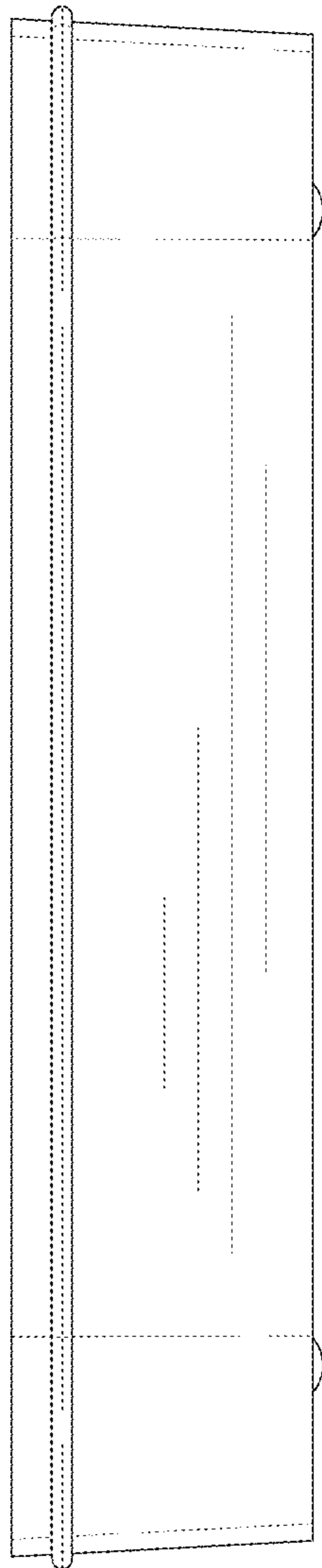


FIG. 15

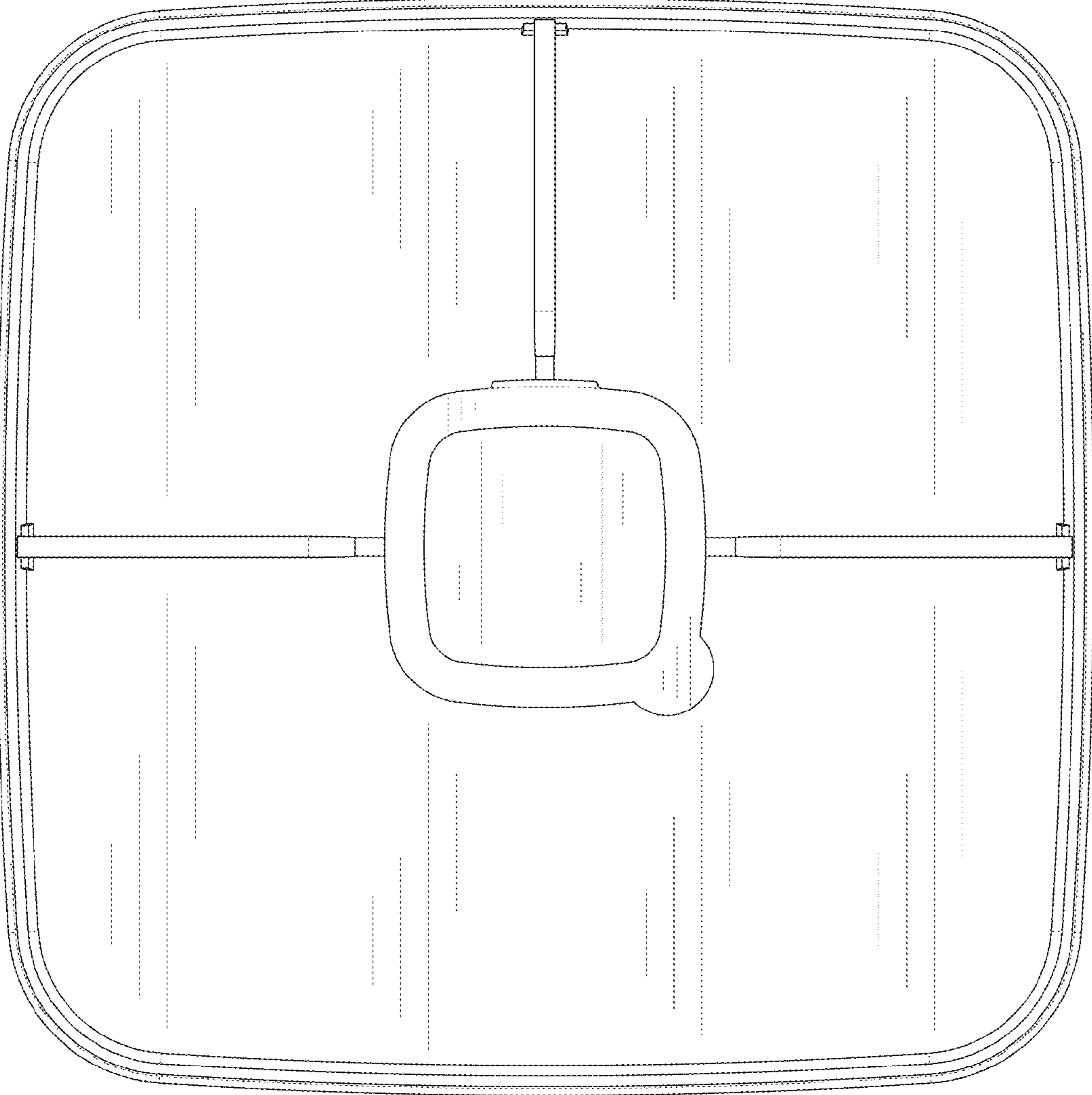


FIG. 16

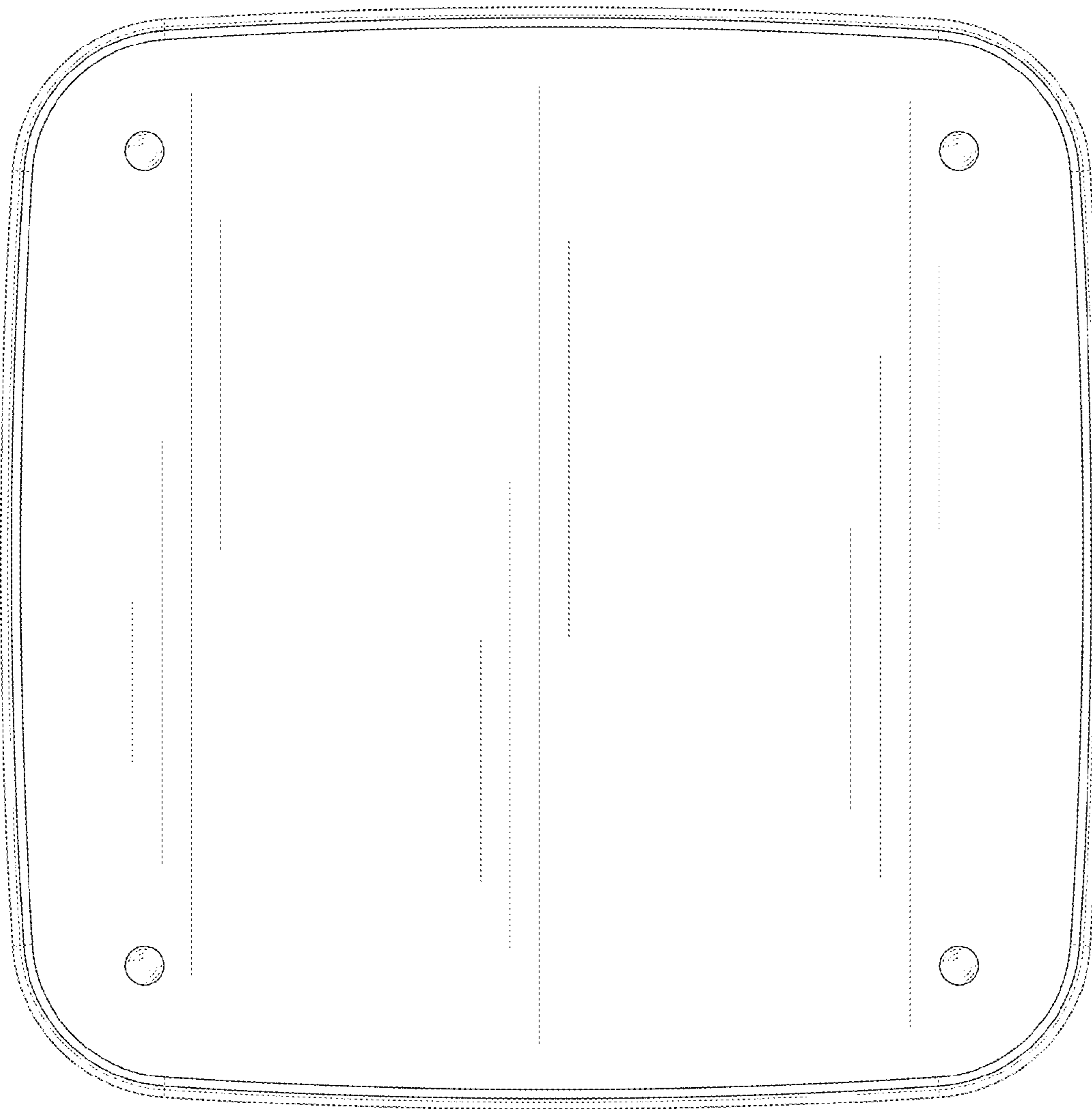


FIG. 17