

US00D968163S

(12) **United States Design Patent**  
**Carder et al.**

(10) **Patent No.:** **US D968,163 S**  
(45) **Date of Patent:** **\*\* Nov. 1, 2022**

- (54) **NESTED TABLEWARE SET**
- (71) Applicant: **Lenox Corporation**, Bristol, PA (US)
- (72) Inventors: **Timothy Carder**, New Hope, PA (US);  
**Fawn Ostriak**, Lower Gwynedd, PA (US)
- (73) Assignee: **Lenox Corporation**, Bristol, PA (US)
- (\*\*) Term: **15 Years**

5,139,166 A 8/1992 Smith  
 6,047,845 A 4/2000 Rapaz  
 D450,219 S \* 11/2001 Smith ..... D7/558  
 (Continued)

**FOREIGN PATENT DOCUMENTS**

CA 57136 \* 9/1986 ..... A47G 19/06  
 CN 2861030 Y 1/2007  
 (Continued)

**OTHER PUBLICATIONS**

Haute Juice, "Vintage Crystal Glass Art Deco Decorative Diamond Cut Brass Pedestal Candy Dish Bowl," Mar. 17, 2015, Haute Juice, <https://hautejuice.wordpress.com/2015/05/17/vintage-crystal-glass-art-deco-decorative-diamond-cut-brass-pedestal-candy-dish-bowl-wlid-made-in-france/> (Year: 2015).\*

(Continued)

*Primary Examiner* — Joseph Kukella  
*Assistant Examiner* — Arva P Adams

(57) **CLAIM**

We claim the ornamental design for a nested tableware set, as shown and described.

**DESCRIPTION**

FIG. 1 is a top perspective view of a nested tableware set, showing a first embodiment of our new design; FIG. 2 is a right side elevational view thereof; FIG. 3 is a left side elevational view thereof; FIG. 4 is a front elevational view thereof; FIG. 5 is a rear elevational view thereof; FIG. 6 is a top plan view thereof; FIG. 7 is a bottom plan view thereof; and, FIG. 8 is an exploded view thereof, showing the bowls and plates that are nested to form the nested tableware set. The broken lines shown in FIG. 8 show portions of the nested tableware set that form no part of the claimed design.

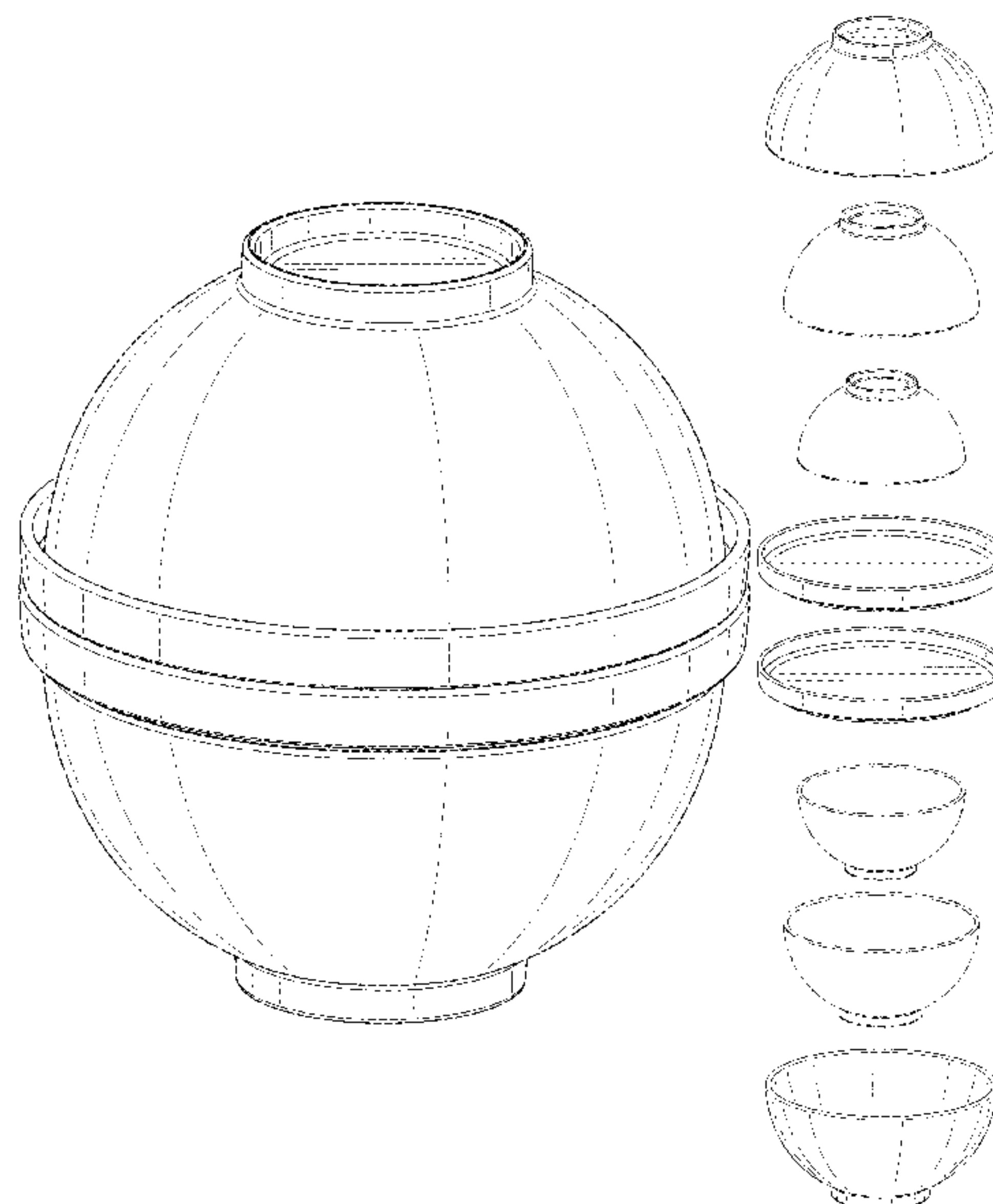
**1 Claim, 8 Drawing Sheets**

- (21) Appl. No.: **29/710,596**
- (22) Filed: **Oct. 24, 2019**
- (51) **LOC (13) Cl.** ..... **07-01**
- (52) **U.S. Cl.**  
USPC ..... **D7/505**; D7/540; D7/558; D7/584
- (58) **Field of Classification Search**  
USPC ..... D7/354, 500, 505, 506, 538–542,  
D7/560–565, 571, 584, 586, 587, 601,  
D7/602, 642–645  
CPC ..... A47G 19/02; A47G 19/23; B65D 21/0233  
See application file for complete search history.

(56) **References Cited**

**U.S. PATENT DOCUMENTS**

D36,957 S *	6/1904	Helmer	.....	D7/359
D42,547 S *	5/1912	Smith	.....	D7/397
1,908,806 A	5/1933	Allen		
D97,383 S *	11/1935	Dennis	.....	D7/600
D150,523 S *	8/1948	Stuart	.....	D7/372
D176,822 S *	1/1956	Sacia	.....	D7/603
3,749,278 A	7/1973	Galhau		
D249,919 S *	10/1978	Thrush	.....	D7/530
D256,205 S	8/1980	Bateman et al.		
D272,223 S *	1/1984	Daenen	.....	D7/629
D286,124 S *	10/1986	Dempsey	.....	D7/540
D287,560 S *	1/1987	Thrush	.....	D7/562
D297,297 S *	8/1988	Lacey	.....	D7/354
4,892,213 A	1/1990	Mason, Jr.		
D309,690 S	8/1990	Carlson		



(56)

References Cited

FOREIGN PATENT DOCUMENTS

U.S. PATENT DOCUMENTS

D477,969 S \* 8/2003 Griffin ..... D7/354  
 D505,050 S \* 5/2005 Johnson ..... D7/606  
 7,021,480 B2 4/2006 Yu  
 D539,093 S 3/2007 Robinson  
 D547,119 S 7/2007 Robinson  
 D556,895 S \* 12/2007 Thom ..... D24/108  
 D574,188 S 8/2008 Beny  
 7,594,342 B2 \* 9/2009 Thom ..... F26B 21/083  
 206/583  
 D611,774 S 3/2010 Yung  
 D634,985 S \* 3/2011 Rueda ..... F26B 21/083  
 D7/629  
 D650,241 S 12/2011 Ehrenhaus et al.  
 D650,243 S 12/2011 Abrams  
 D674,666 S 1/2013 Pallotto  
 D701,088 S 3/2014 Hone  
 D709,335 S 7/2014 Stamatopoulos  
 D711,932 S \* 8/2014 Kilduff ..... D15/82  
 8,993,022 B1 3/2015 Hertz  
 9,102,439 B2 8/2015 Kemper et al.  
 D749,371 S 2/2016 Kolano  
 D770,860 S \* 11/2016 Wampold ..... D7/608  
 D793,816 S \* 8/2017 Alteslaben ..... D7/586  
 10,149,562 B2 12/2018 Bell et al.  
 D845,714 S 4/2019 Wands  
 D871,157 S \* 12/2019 Redjal ..... D7/584  
 2007/0017915 A1 1/2007 Weder et al.  
 2012/0181269 A1 7/2012 Rubenson et al.  
 2018/0037365 A1 2/2018 Battaglia  
 2018/0112337 A1 \* 4/2018 Sullivan ..... B65D 25/04  
 2019/0100367 A1 4/2019 Grove et al.  
 2021/0120986 A1 \* 4/2021 Carder ..... A47G 19/02

CN 303105600 A 2/2015  
 CN 303674502 \* 5/2016  
 CN 206333687 U 7/2017  
 CN 208731521 U 4/2019  
 EM 000320569-0002 \* 6/2005  
 EM 002056549-0002 A 10/2012  
 EM 008328017-0001 \* 1/2021  
 KR 3005994060000 A 5/2011  
 KR 3006092480000 A 8/2011  
 KR 3007398230000 A 4/2014  
 KR 3007586090000 A 8/2014  
 KR 3007686330000 A 11/2014  
 KR 3007778730000 A 12/2014  
 WO 2019106356 A1 6/2019  
 WO 2019113520 A1 6/2019  
 WO WO-2021022064 A1 \* 2/2021 ..... A47G 19/06

OTHER PUBLICATIONS

Lenox, "Meet Luna," Oct. 2, 2019, Facebook, [www.facebook.com/Lenox/videos/2438658472916882/](http://www.facebook.com/Lenox/videos/2438658472916882/) (Year: 2019).  
 Amazon.com, "Lenox Luna Nesting Dinnerware Set," Mar. 31, 2020, Amazon.com, [www.amazon.com/Lenox-Nesting-Dinnerware-11-40-Multi/dp/B086LK2LKX?th=1](http://www.amazon.com/Lenox-Nesting-Dinnerware-11-40-Multi/dp/B086LK2LKX?th=1) (Year: 2020).  
 The U.S. office action, dated Aug. 11, 2021, in the related U.S. Appl. No. 17/078,962.  
 "Dark Grey Food Grade Melamine Babel Drink Stackable Tumbler Set," <https://www.trouva.com/products/ibride-dark-grey-food-grade-melamine-babel-drink-stackable-tumbler-set?algoliaQueryID=aba872db4d74624bb6b0fde2181778d1&algoliaObjectID=5dad9ad2c93aae0003f8f219>, (3 pages), Jul. 2, 2019.  
 "The Dabbling Crafter", <http://www.thedabblingcrafter.com/2014/09/show-tell-displaying-vintage-pyrex.html>, Sep. 12, 2014.  
 "Upside-Down Beverage Containers-2," <https://bestinpackaging.com/2015/02/26/upside-down-beverage-containers-02/>, Feb. 28, 2015.

\* cited by examiner

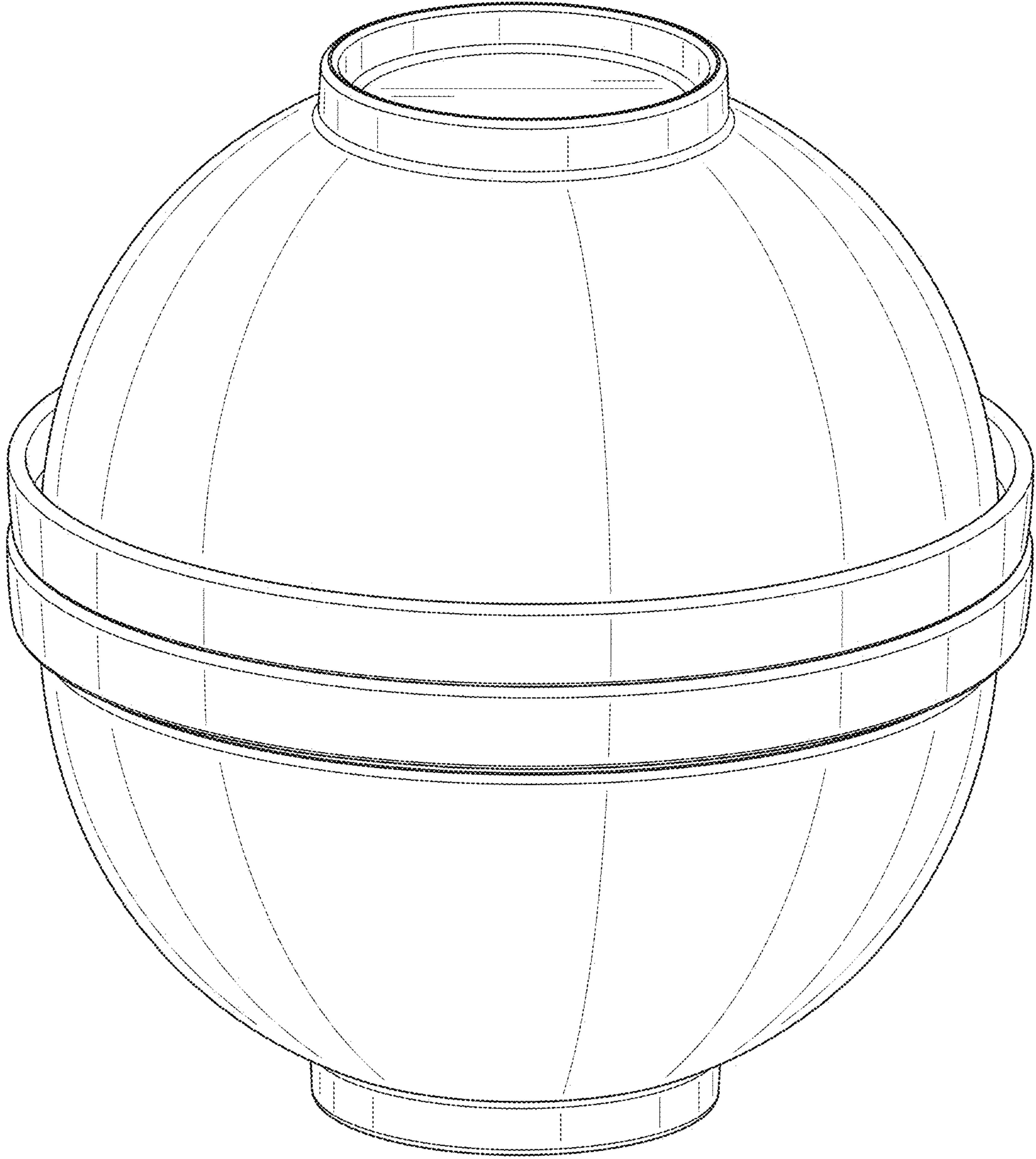


FIG. 1



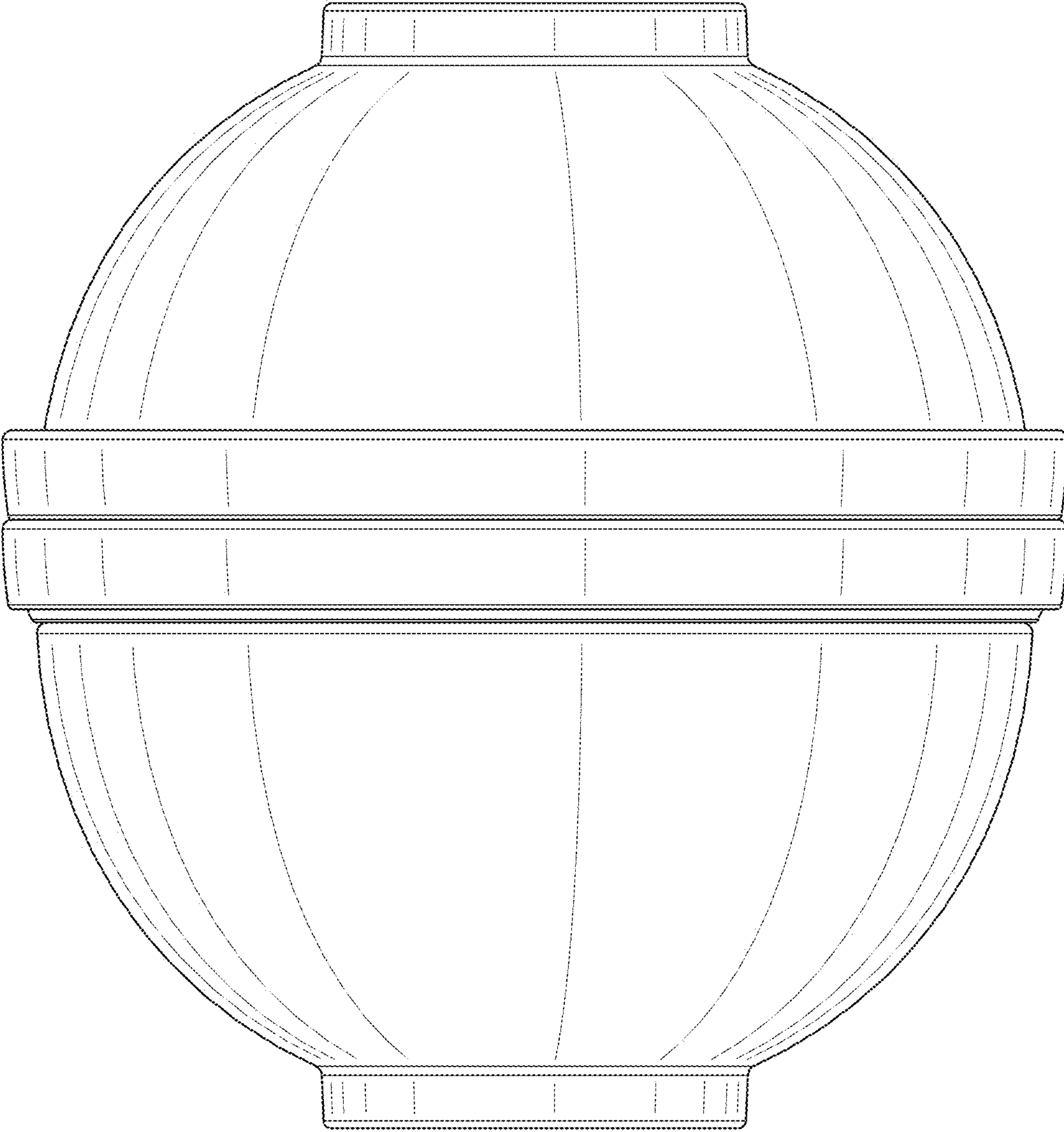


FIG. 2

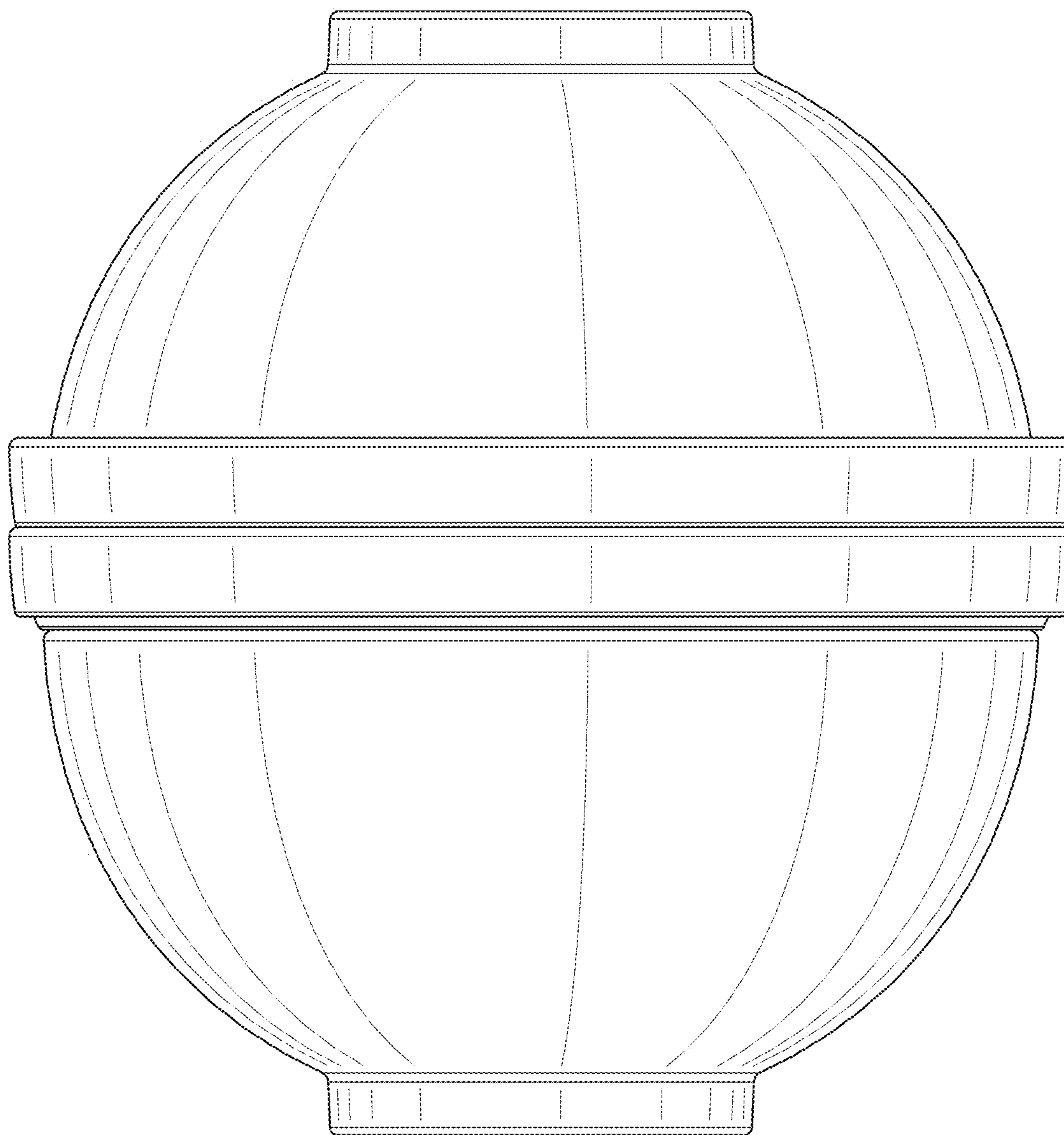


FIG. 3

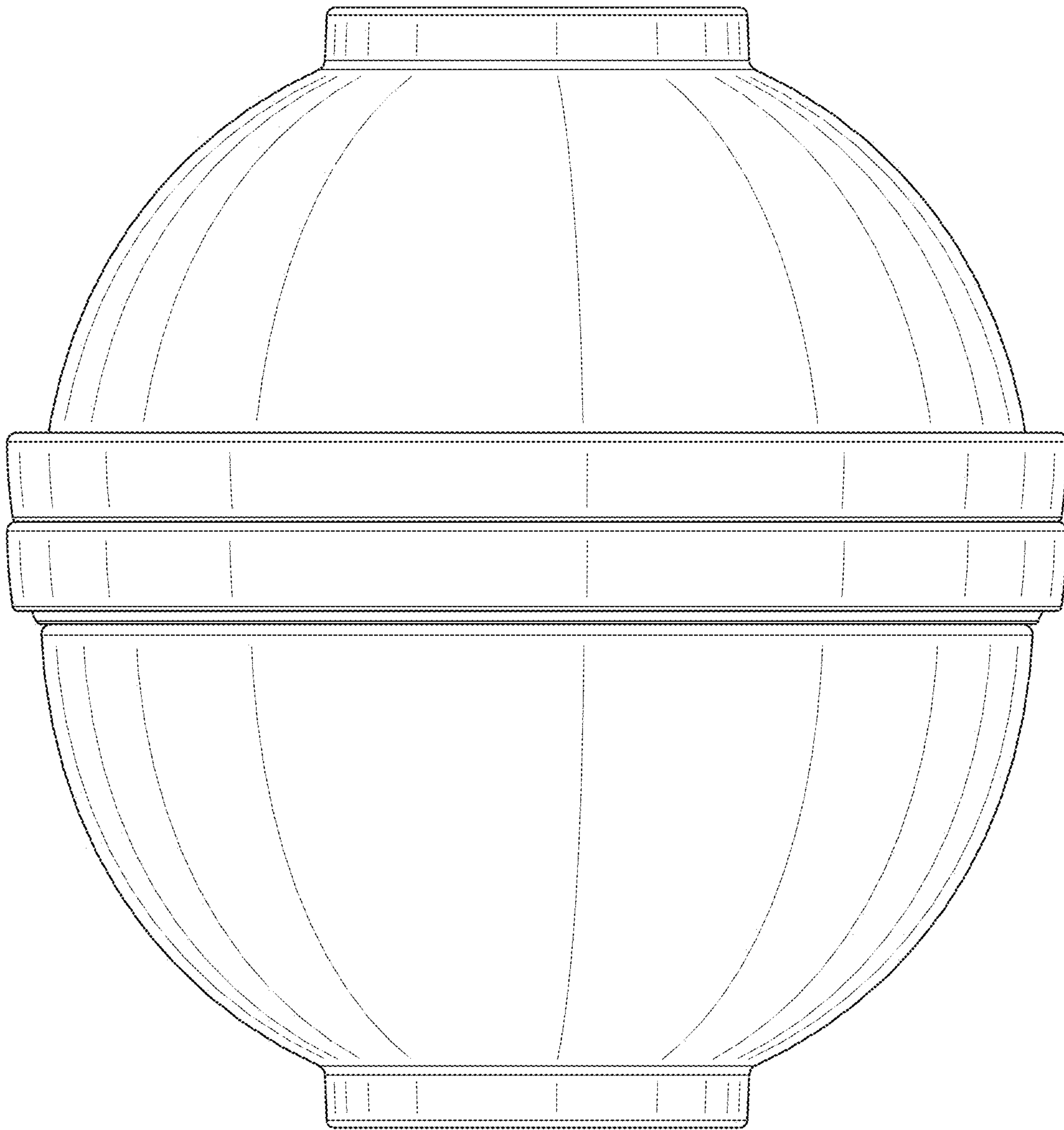


FIG. 4

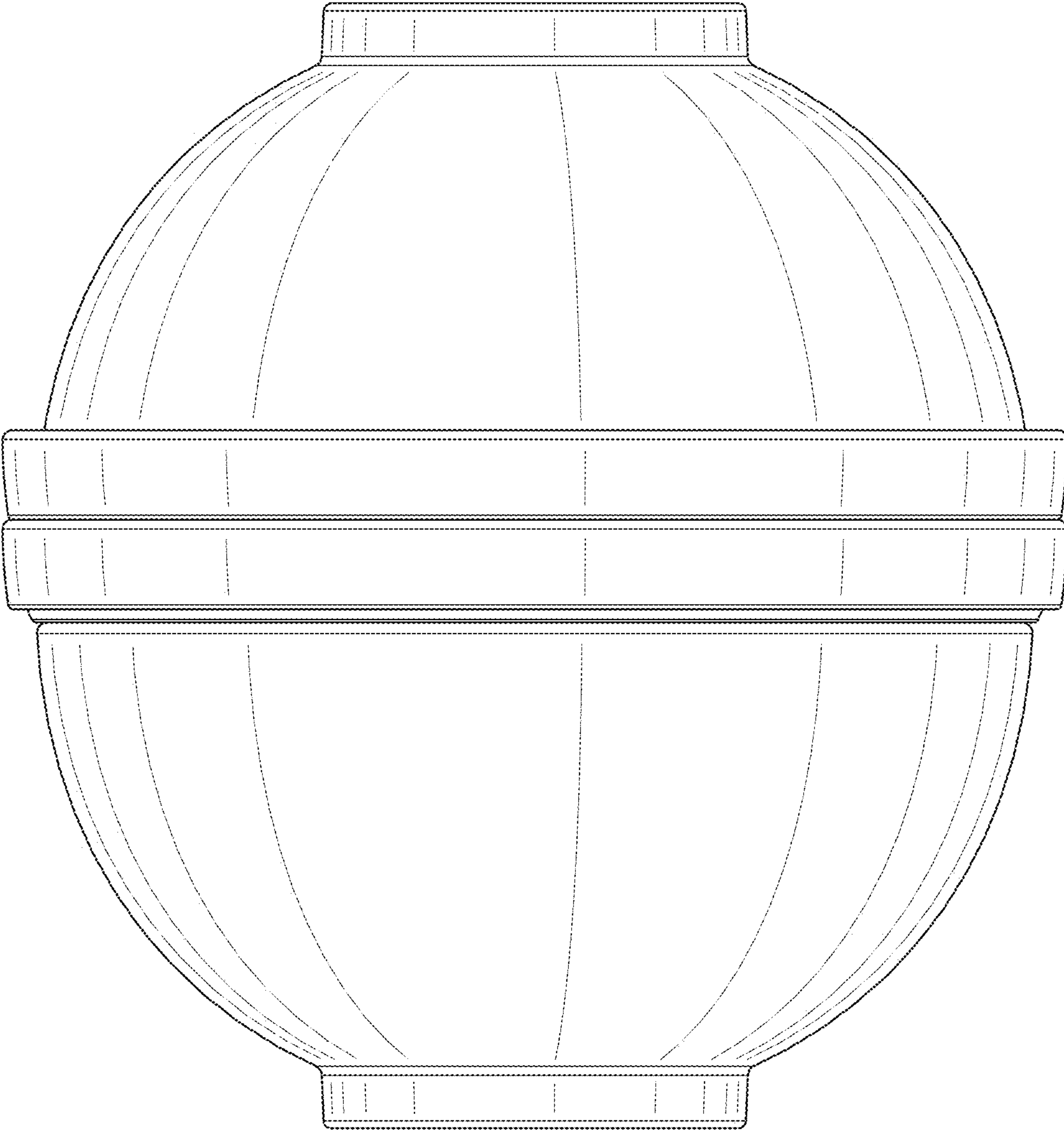


FIG. 5

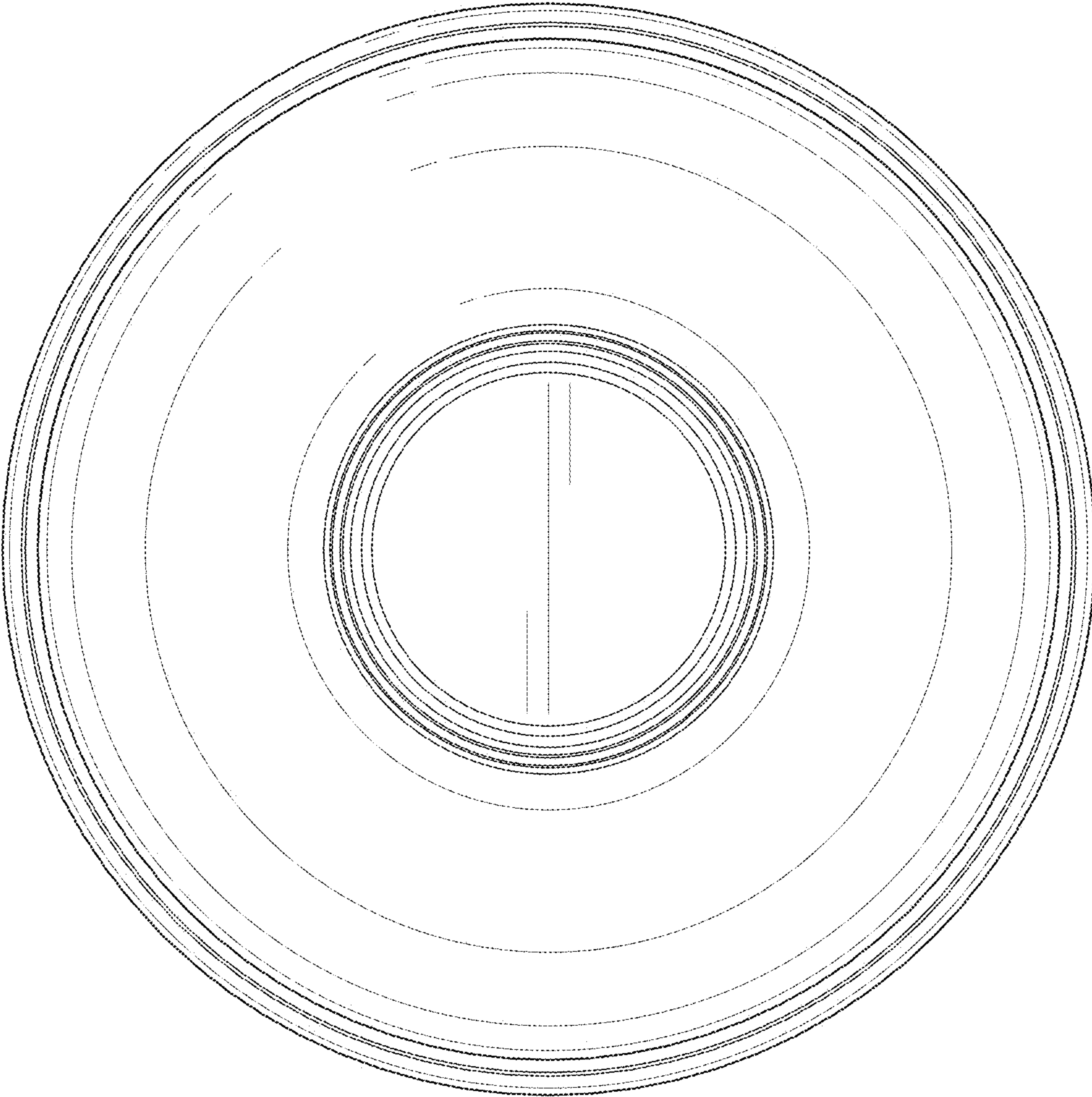


FIG. 6



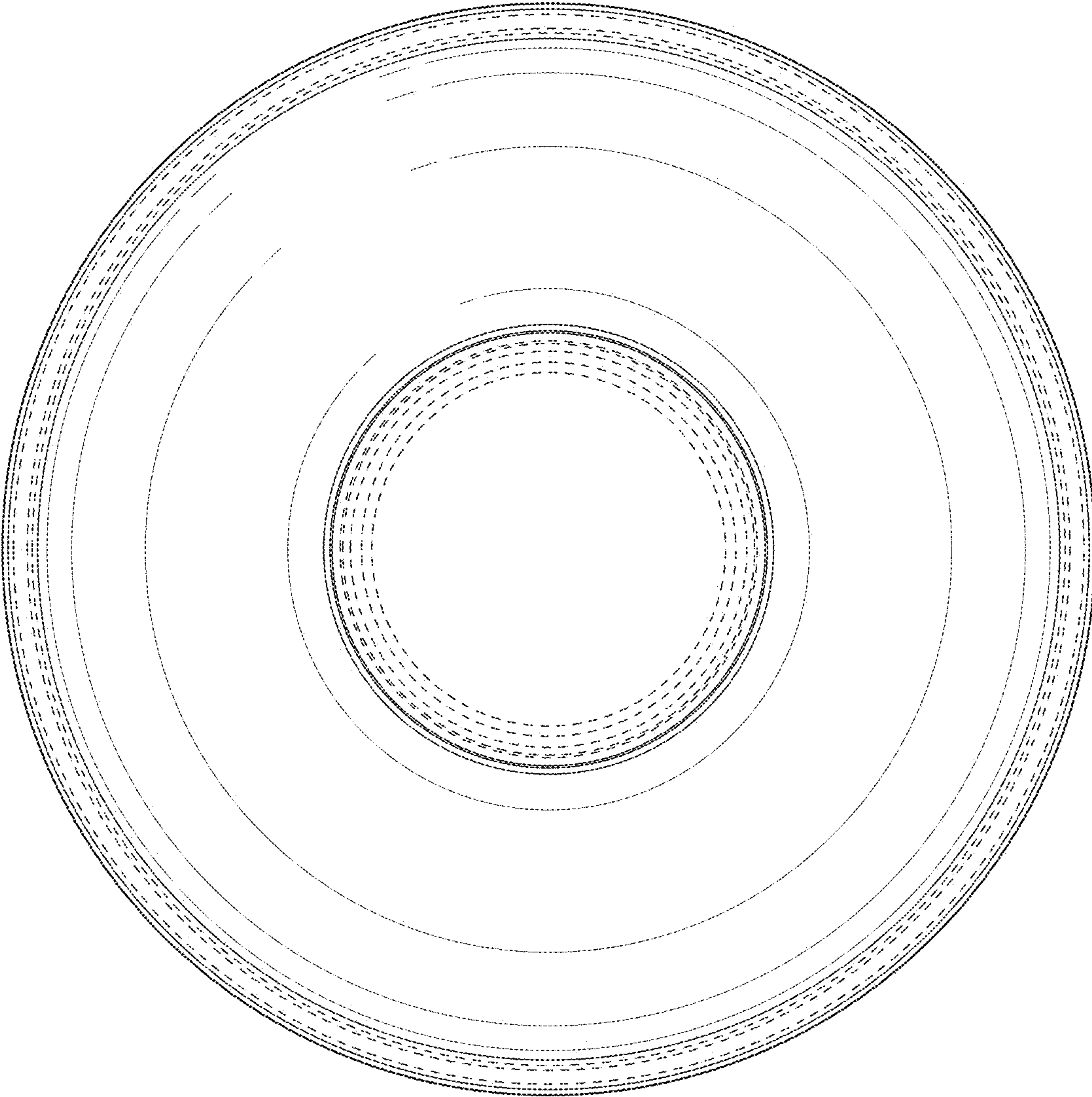


FIG. 7

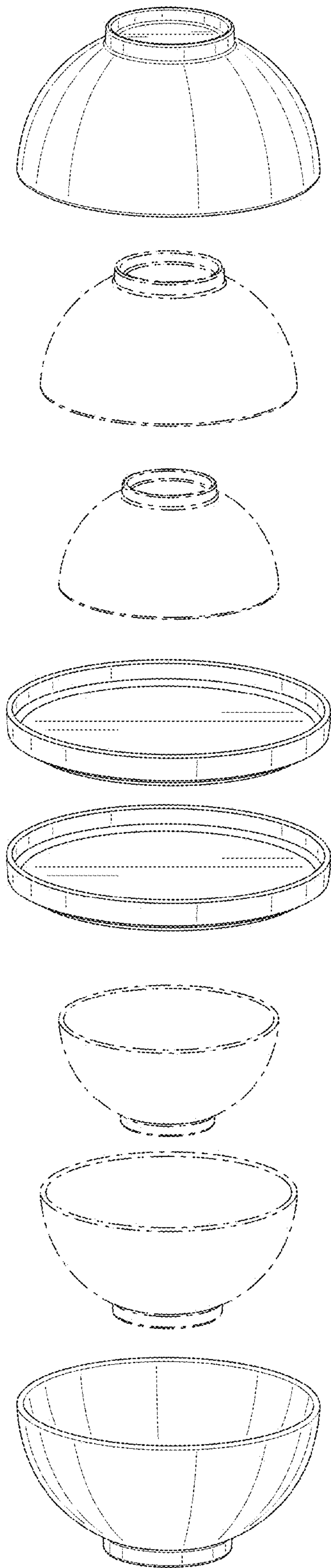


FIG. 8