



US00D968162S

(12) **United States Design Patent**
McBride

(10) **Patent No.:** **US D968,162 S**

(45) **Date of Patent:** **** Nov. 1, 2022**

(54) **TURNTABLE**

(74) *Attorney, Agent, or Firm* — Calfee, Halter & Griswold LLP

(71) Applicant: **InterDesign, Inc.**, Solon, OH (US)

(72) Inventor: **Sara Czukal McBride**, Wickliffe, OH (US)

(57) **CLAIM**

(73) Assignee: **InterDesign, Inc.**, Solon, OH (US)

I claim the ornamental design for a turntable, as shown and described.

(**) Term: **15 Years**

(21) Appl. No.: **29/826,199**

(22) Filed: **Feb. 10, 2022**

DESCRIPTION

Related U.S. Application Data

(63) Continuation of application No. 29/733,375, filed on May 1, 2020, which is a continuation-in-part of (Continued)

(51) **LOC (13) Cl.** **07-01**

(52) **U.S. Cl.**
USPC **D7/501**

(58) **Field of Classification Search**
USPC D7/549, 555, 553.8, 553.1, 550.1, 553.5, D7/553.6, 554.2, 566, 552.1, 501, 554.1, (Continued)

FIG. 1 is a front/right/top perspective view of a turntable, the disclaimed portions on the bottom that would be visible behind the transparent surfaces being omitted for a clear disclosure of the surface configuration;

FIG. 2 is a rear/left/bottom perspective view thereof, some disclaimed portions visible in FIG. 1 that would be visible behind the transparent surfaces being omitted for a clear disclosure of the surface configuration;

FIG. 3 is a front elevational view thereof (the rear elevational view being a mirror image thereof), some disclaimed portions visible in FIG. 1 that would be visible behind the transparent surfaces being omitted for a clear disclosure of the surface configuration;

FIG. 4 is a right side elevational view thereof (a left side elevational view would be a mirror image thereof), some disclaimed portions visible in FIG. 1 that would be visible behind the transparent surfaces being omitted for a clear disclosure of the surface configuration;

FIG. 5 is a top plan view thereof, the disclaimed portions on the bottom that would be visible behind the transparent surfaces being omitted for a clear disclosure of the surface configuration; and,

FIG. 6 is a bottom plan view thereof; some disclaimed portions that would be visible behind the transparent surfaces being omitted for a clear disclosure of the surface configuration.

The broken lines represent environment and portions of the turntable that form no part of the claimed design.

(56) **References Cited**

U.S. PATENT DOCUMENTS

226,645 A 4/1880 Albaugh
229,467 A 6/1880 Remhoff
(Continued)

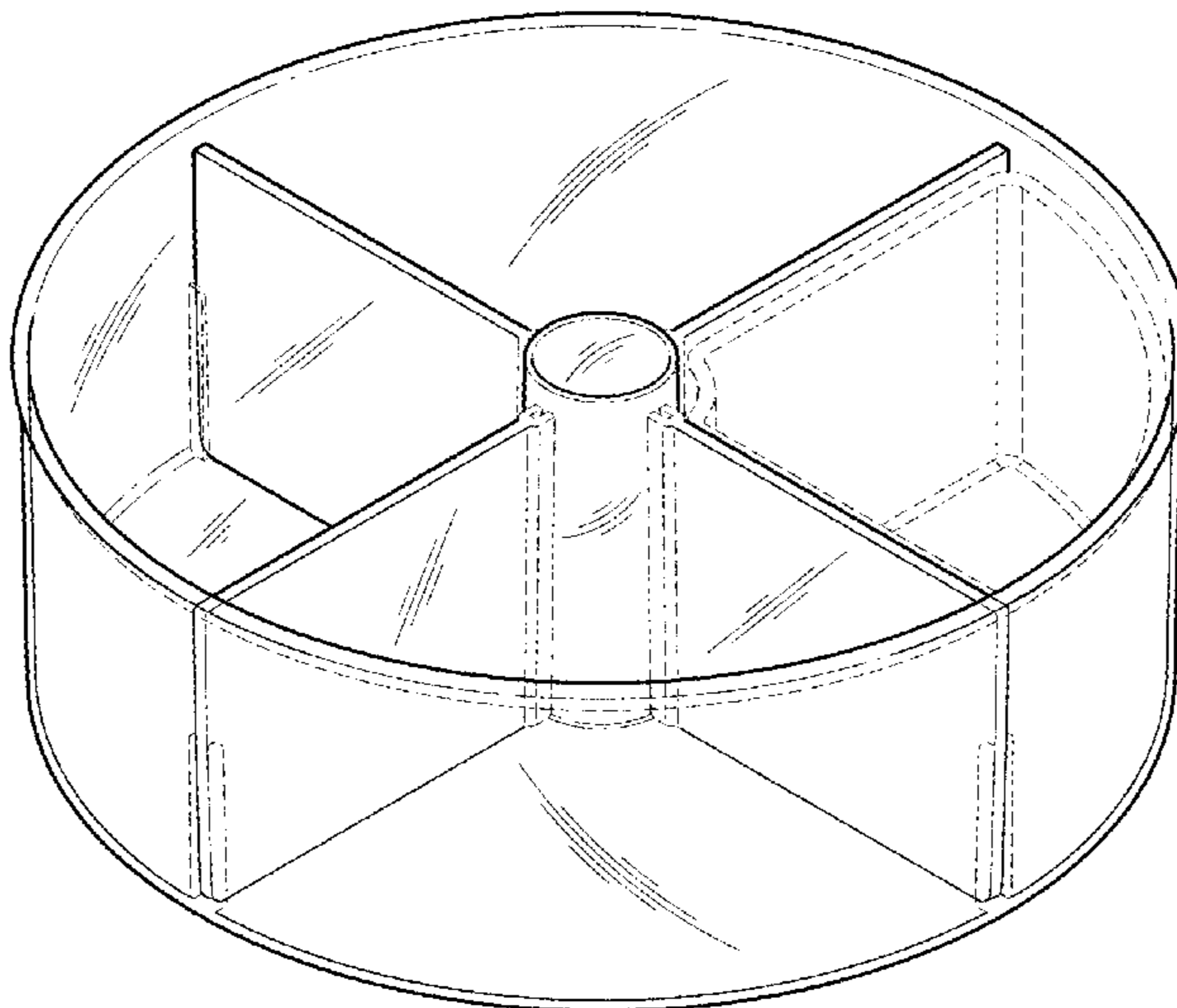
OTHER PUBLICATIONS

The Home Edit By iDesign 9" Lazy Susan, <https://www.containerstore.com/s/the-home-edit-9-lazy-susan/d?q=lazy%20susan&productId=11010741>, Date accessed: Feb. 4, 2022.

(Continued)

1 Claim, 5 Drawing Sheets

Primary Examiner — Cynthia R Underwood



Related U.S. Application Data

application No. 29/680,170, filed on Feb. 14, 2019, now Pat. No. Des. 900,476, which is a continuation-in-part of application No. 29/585,140, filed on Nov. 21, 2016, now abandoned, and a continuation-in-part of application No. 29/602,126, filed on Apr. 28, 2017, now abandoned, which is a continuation of application No. 29/492,902, filed on Jun. 4, 2014, now Pat. No. Des. 787,922, which is a continuation of application No. 29/416,358, filed on Mar. 21, 2012, now Pat. No. Des. 709,289.

(58) **Field of Classification Search**

USPC D7/590, 600.2, 610, 602; 220/23.8; 53/411; 206/505, 217; 493/55; D6/677
CPC A47G 19/065; A47J 47/16; A47B 49/004
See application file for complete search history.

(56) **References Cited**

U.S. PATENT DOCUMENTS

777,492 A 12/1904 Bruebach
846,948 A 3/1907 Richter
D67,011 S 4/1925 Clarke
D72,249 S 3/1927 Orzo
1,687,149 A 10/1928 Schauer et al.
1,732,113 A 10/1929 Meer
1,941,906 A 1/1934 Marinsky
2,051,271 A 8/1936 Passmore
2,058,002 A 10/1936 Daum
D102,967 S 1/1937 Daum
D118,238 S 12/1939 Klusmeyer
2,198,091 A 4/1940 Rodolfa
D149,046 S 3/1948 Blumenthal
2,553,880 A 5/1951 Stigler
2,638,400 A 5/1953 Spotts
2,693,989 A 11/1954 Santana et al.
2,727,645 A 12/1955 Dore
2,831,582 A 4/1958 Cody
D197,981 S 4/1964 Miller
3,302,594 A 2/1967 Barnett et al.
D209,847 S * 1/1968 Taylor D7/610
D209,848 S 1/1968 Berend
3,384,260 A * 5/1968 Buffington A47G 23/06
D7/557
3,385,465 A * 5/1968 Bliss A47J 27/122
D7/615
D212,109 S * 8/1968 Taylor D7/614
D213,718 S * 4/1969 Bliss D7/610
D214,391 S * 6/1969 Weiss 229/407
3,540,985 A 11/1970 Gross
3,814,360 A 6/1974 Samuelian, Sr. et al.
D238,039 S 12/1975 Juhlin
D238,726 S 2/1976 Labik
3,951,079 A 4/1976 Tolleson
3,972,419 A * 8/1976 Short A47G 23/08
211/131.1
D241,462 S 9/1976 Criscitiello, Jr.
4,191,437 A 3/1980 Funke
4,359,159 A * 11/1982 Pollard B65D 85/36
D7/610
4,433,885 A 2/1984 Baker
4,453,326 A 6/1984 Hoffman et al.
4,688,686 A 8/1987 Mitts
4,743,556 A 5/1988 Ervin
4,945,061 A 7/1990 Iskander
4,972,947 A 11/1990 McCarthy
D312,554 S 12/1990 Daenen et al.
D330,955 S 11/1992 Humphries
5,277,488 A 1/1994 Cleary et al.
D345,473 S 3/1994 Grundmann
5,312,003 A 5/1994 Domenig
D348,183 S 6/1994 Sawatsky et al.
D362,787 S 10/1995 Burke

D364,057 S 11/1995 Bowman
D364,537 S 11/1995 Anderson
5,494,346 A 2/1996 Domenig
5,577,823 A 11/1996 Maglinger
5,593,891 A 1/1997 Banes
D380,350 S 7/1997 Tortorella
D386,792 S 11/1997 Miller
5,894,944 A 4/1999 Swift
6,017,108 A 1/2000 Domenig
6,161,333 A * 12/2000 Poston A01G 9/02
47/86
D437,510 S * 2/2001 Romich D6/677
D465,350 S 11/2002 Byrne
6,591,993 B2 7/2003 Humphrey
D499,605 S * 12/2004 Crosby D7/553.6
6,854,608 B2 2/2005 McNeeley et al.
6,883,887 B1 4/2005 Mogensen
D558,526 S * 1/2008 Molina D7/552.2
D561,539 S 2/2008 Snider
D565,253 S 3/2008 Modi et al.
D575,986 S 9/2008 Cetera
D594,270 S 6/2009 Rae
D595,088 S 6/2009 Watts
D596,464 S * 7/2009 Holcomb D7/554.2
D597,379 S * 8/2009 Changpan D7/553.6
D608,499 S 1/2010 Hodgson
D609,058 S 2/2010 Roth
D624,360 S 9/2010 Leaville
D627,607 S 11/2010 Roth et al.
D660,326 S 5/2012 Allette
3,356,953 A1 1/2013 Sagel
D684,431 S 6/2013 Holding
3,459,474 A1 6/2013 Sagel
D685,603 S 7/2013 Mishan
D705,612 S * 5/2014 Tran D7/629
D708,257 S 7/2014 Camarata
9,052,134 B1 6/2015 Batchler
D752,922 S 4/2016 Greenwood
D757,010 S 5/2016 Kang et al.
D761,621 S 7/2016 Hsu et al.
9,528,753 B1 12/2016 Conner, Sr.
D775,873 S 1/2017 Bumett
D795,311 S 8/2017 Kraemer
D802,836 S 11/2017 Ghiotti
D804,721 S 12/2017 Ghiotti
D806,474 S 1/2018 Greenwood
9,936,805 B2 4/2018 McGregor
D831,443 S 10/2018 Zhang
D834,891 S 12/2018 Greenwood
D839,671 S 2/2019 Greenwood
D853,788 S 7/2019 Zeng
D854,250 S 7/2019 Huang
D868,511 S 12/2019 McBride
D885,144 S * 5/2020 Huckestein D7/628
D889,175 S 7/2020 Clayton
D910,348 S * 2/2021 Snell D6/677
D914,412 S * 3/2021 Angeles D6/677
D931,054 S * 9/2021 Miller D7/557
D939,275 S 12/2021 Greenwood
D939,276 S 12/2021 Greenwood
D939,277 S 12/2021 Greenwood
D941,633 S 1/2022 Ghiorghie et al.
D951,710 S 5/2022 Luo
D952,403 S 5/2022 Fan
2003/0196978 A1 * 10/2003 Humphrey A47F 5/02
211/144
2005/0194873 A1 9/2005 Hoffman
2005/0199159 A1 9/2005 Searer
2008/0134551 A1 6/2008 Conforti et al.
2009/0230069 A1 9/2009 Naden
2014/0162352 A1 6/2014 Iskander et al.

OTHER PUBLICATIONS

Rebrilliant Montford Lazy Susan, <https://www.wayfair.com/kitchen-tabletop/pdp/rebrilliant-montford-lazy-susan-w004022541.html>. Date accessed: Feb. 4, 2022.

(56)

References Cited

OTHER PUBLICATIONS

MDesign Fluted Lazy Susan Turntable Spinner, Kitchen Organizing—2 Pack—Clear, <https://www.wayfair.com/kitchen-tabletop/pdp/mdesign-fluted-lazy-susan-tumtable-spinner-kitchen-organizing-2-pack-clear-eesi3481.html?piid=64437480>, Date accessed: Feb. 4, 2022.

Rebrilliant Lazy Susan, <https://www.wayfair.com/kitchen-tabletop/pdp/rebrilliant-lazy-susan-w003484794.html>, Date accessed: Feb. 4, 2022.

Prep & Savour Cahors Turntable Lazy Susan, <https://www.wayfair.com/kitchen-tabletop/pdp/prep-savour-cahors-turtable-lazy-susan-w002961390.html>, Date accessed: Feb. 4, 2022.

Prep & Savour Doon Lazy Susan, <https://www.wayfair.com/kitchen-tabletop/pdp/prep-savour-doon-lazy-susan-w006908330.html>, Date accessed: Feb. 4, 2022.

Prep & Savour Falaise Turntable Lazy Susan, <https://www.wayfair.com/kitchen-tabletop/pdp/prep-savour-falaise-turtable-lazy-susan-w005508555.html>, Date accessed: Feb. 4, 2022.

MDesign Plastic Kitchen Pantry Lazy Susan Turntable Storage—11.25" Diameter, <https://mdesignhomedecor.com/plastic-kitchen-pantry-lazy-susan-turtable-storage-3/>. Date accessed: Feb. 4, 2022.

MDesign Modern Lazy Susan Plastic Turntable Spinner, <https://mdesignhomedecor.com/modern-lazy-susan-plastic-turtable-spinner/>, Date accessed: Feb. 4, 2022.

Design Binz Turntable, <https://www.amazon.com/iDesign95238BinzTurntableClear/dp/>, Date accessed: Feb. 4, 2022.

Design Crisp Turntable with Handles in Clear, <https://idesignlivesimply.com/products/71960-crisp-turtable-with-handles-clear>. Date accessed: Feb. 9, 2022.

MDesign Plastic Lazy Susan Turntable for Nursery Storage—11.25" Diameter, <https://mdesignhomedecor.com/plastic-lazy-susan-turtable-for-kid-nursery-storage/>. Date accessed: Feb. 9, 2022.

Modern Lazy Susan Rotating Divided Turntable Spinner, <https://mdesignhomedecor.com/modern-lazy-susan-rotating-divided-turtable-spinner/>. Date accessed: Feb. 9, 2022.

The Home Edit By iDesign Large Divided Lazy Susan, <https://www.containerstore.com/s/the-home-edit-large-divided-lazy-susan/d?q=lazy%20susan&productId=11011327>, Date accessed: Feb. 9, 2022.

The Home Edit By iDesign Divided Lazy Susan, <https://www.containerstore.com/s/the-home-edit-divided-lazy-susan/d?q=lazy%20susan&productId=11010527>, Date accessed: Feb. 9, 2022.

MDesign Fluted Lazy Susan Divided Spinner For Kitchen Organizing, 2 Pack—Clear (Set of 2), <https://www.wayfair.com/kitchen-tabletop/pdp/mdesign-fluted-lazy-susan-divided-spinner-for-kitchen-organizing-2-pack-clear-eesi3488.html>. Date accessed: Feb. 9, 2022.

MDesign Lazy Susan Divided Turntable Spinner, Kitchen Pantry Organizing—Clear, <https://www.wayfair.com/kitchen-tabletop/pdp/mdesign-lazy-susan-divided-turtable-spinner-kitchen-pantry-organizing-clear-eesi3485.html>, Date accessed: Feb. 9, 2022.

Prep and Savour Dormington Lazy Susan (Set of 2), <https://www.wayfair.com/kitchen-tabletop/pdp/prep-savour-dormington-lazy-susan-w006906994.html>, Date accessed: Feb. 9, 2022.

Prep and Savour Eagar Lazy Susan, <https://www.wayfair.com/kitchen-tabletop/pdp/prep-savour-eagar-lazy-susan-w006909172.html>, Date accessed: Feb. 9, 2022.

Prep and Savour Earling Lazy Susan, <https://www.wayfair.com/kitchen-tabletop/pdp/prep-savour-earling-lazy-susan-w006909545.html>, Date accessed: Feb. 9, 2022.

* cited by examiner

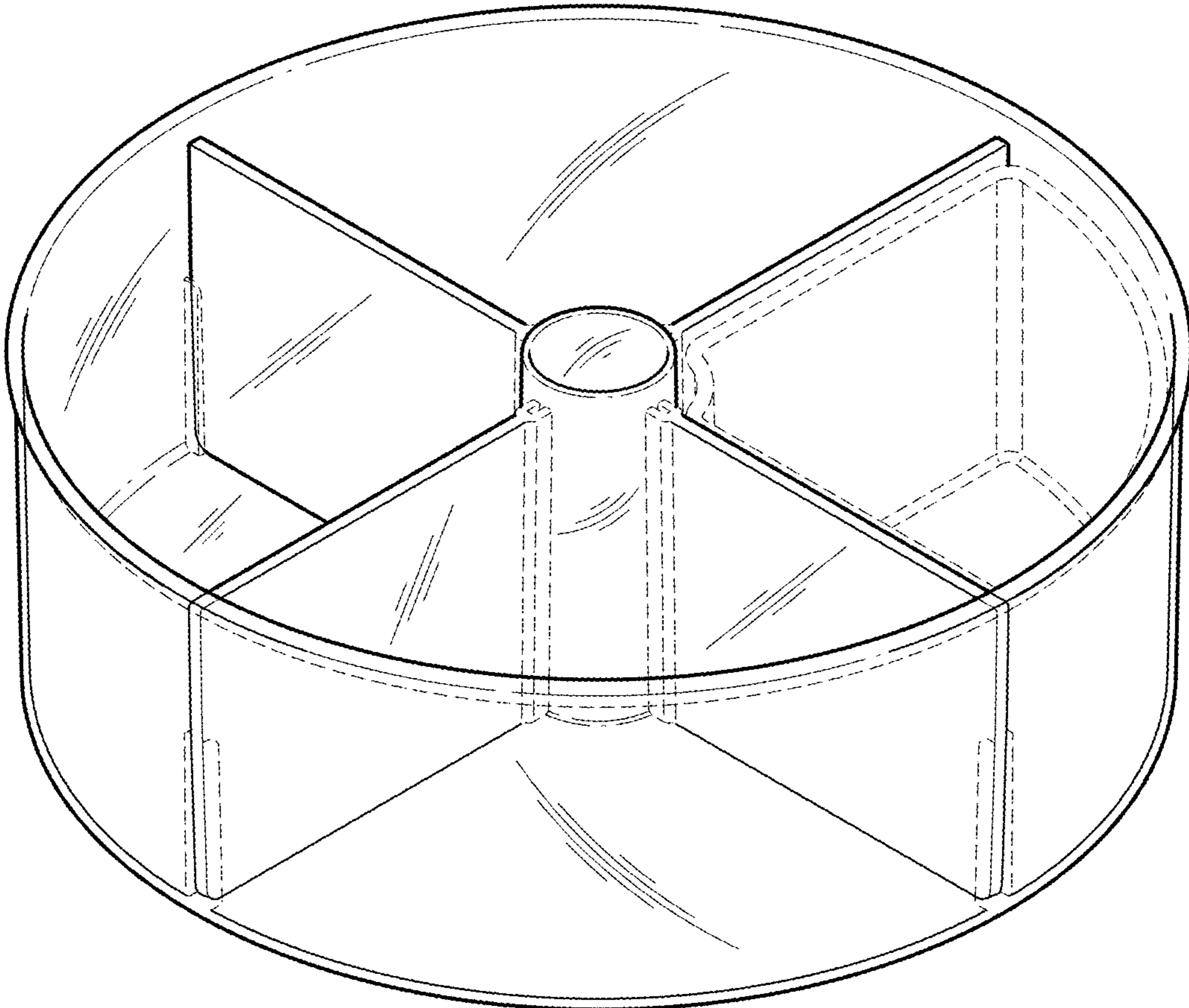


FIG. 1

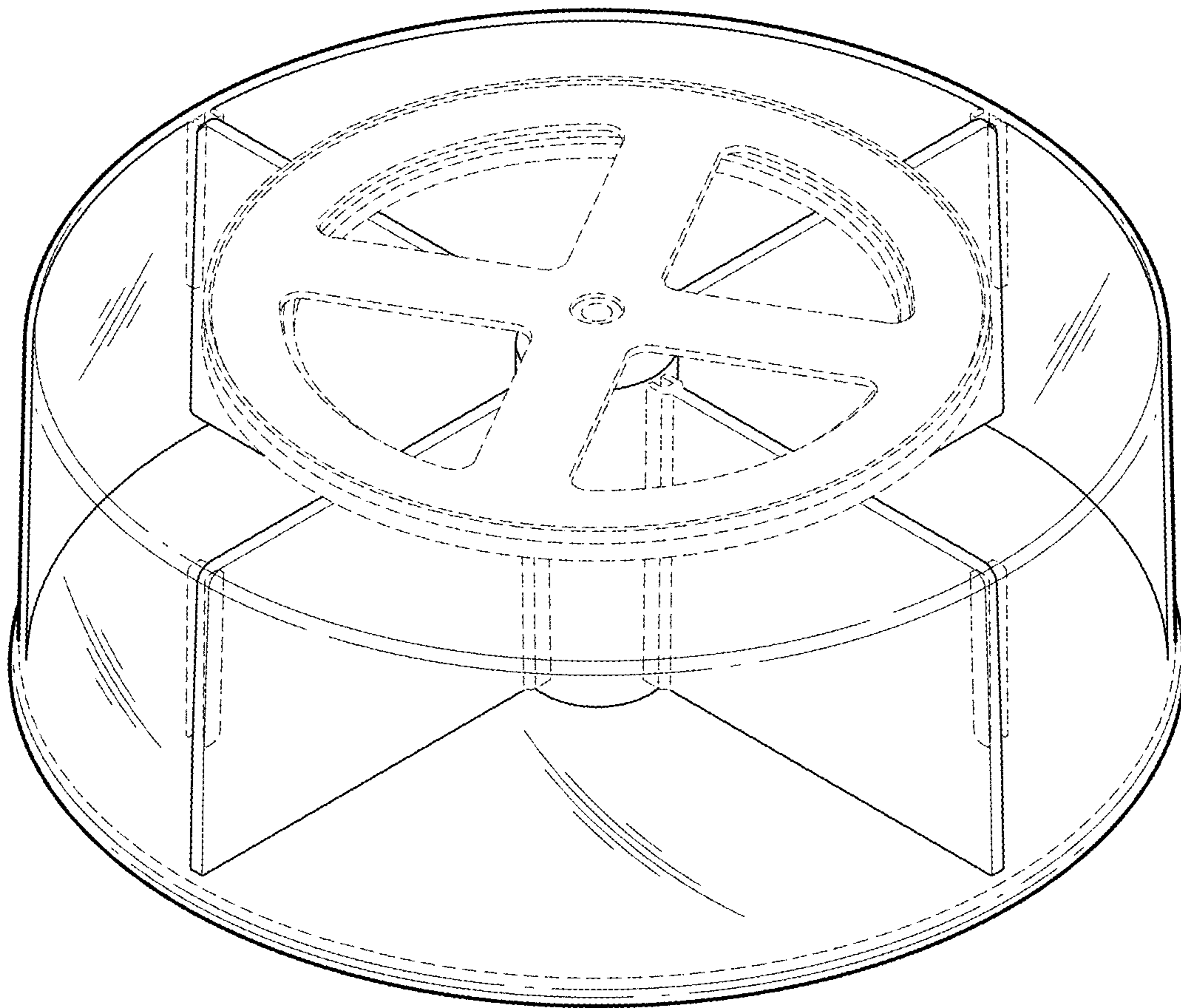


FIG. 2

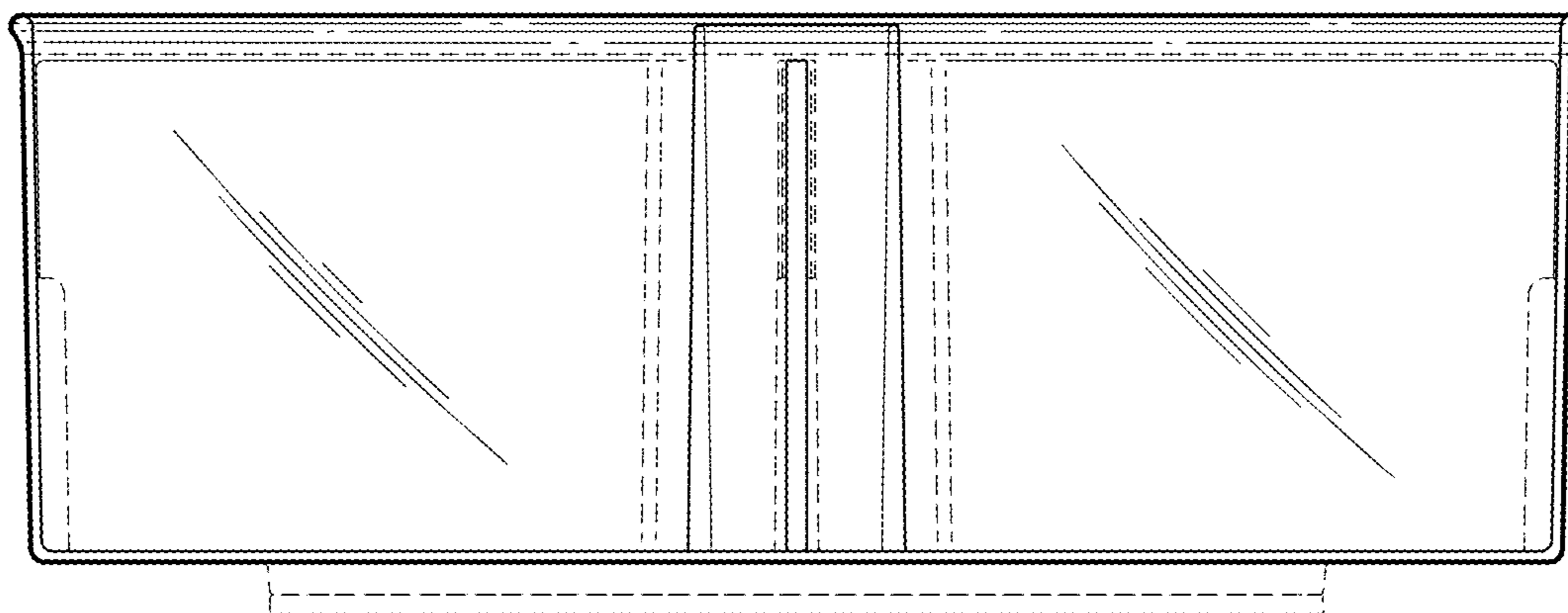


FIG. 3

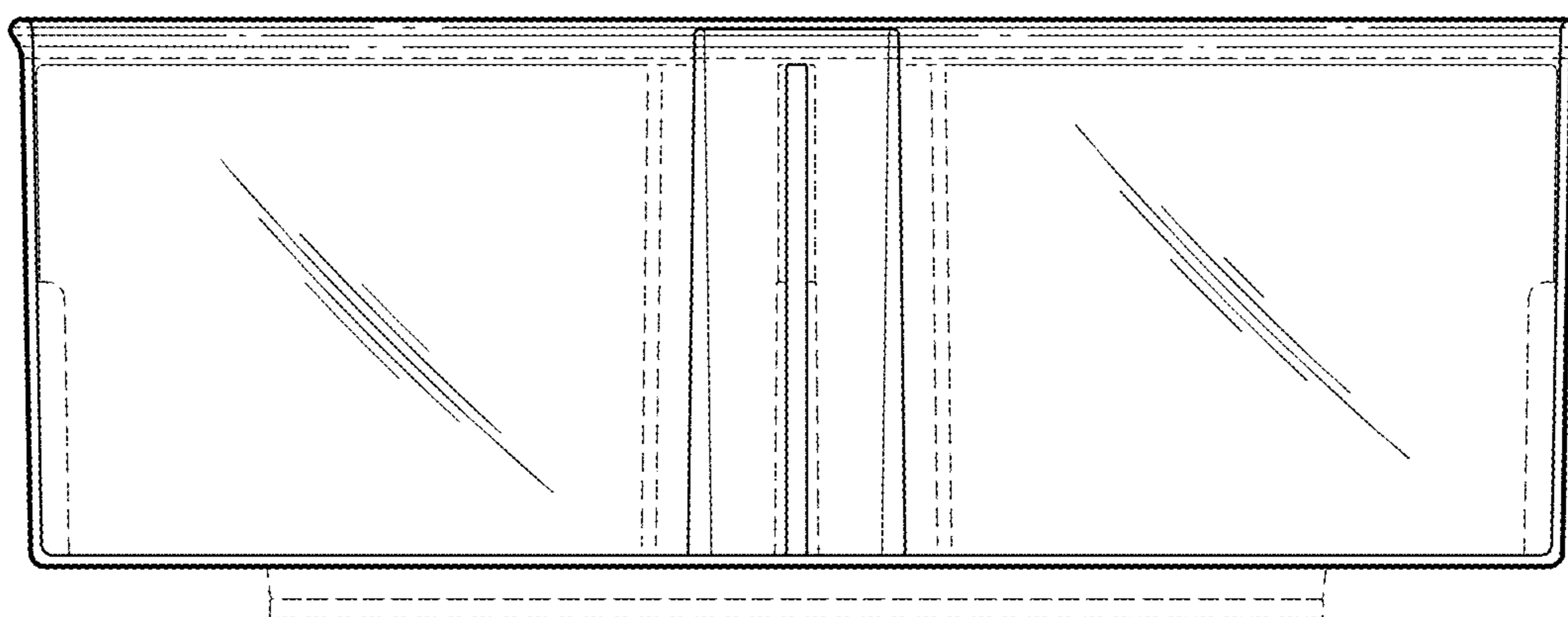


FIG. 4

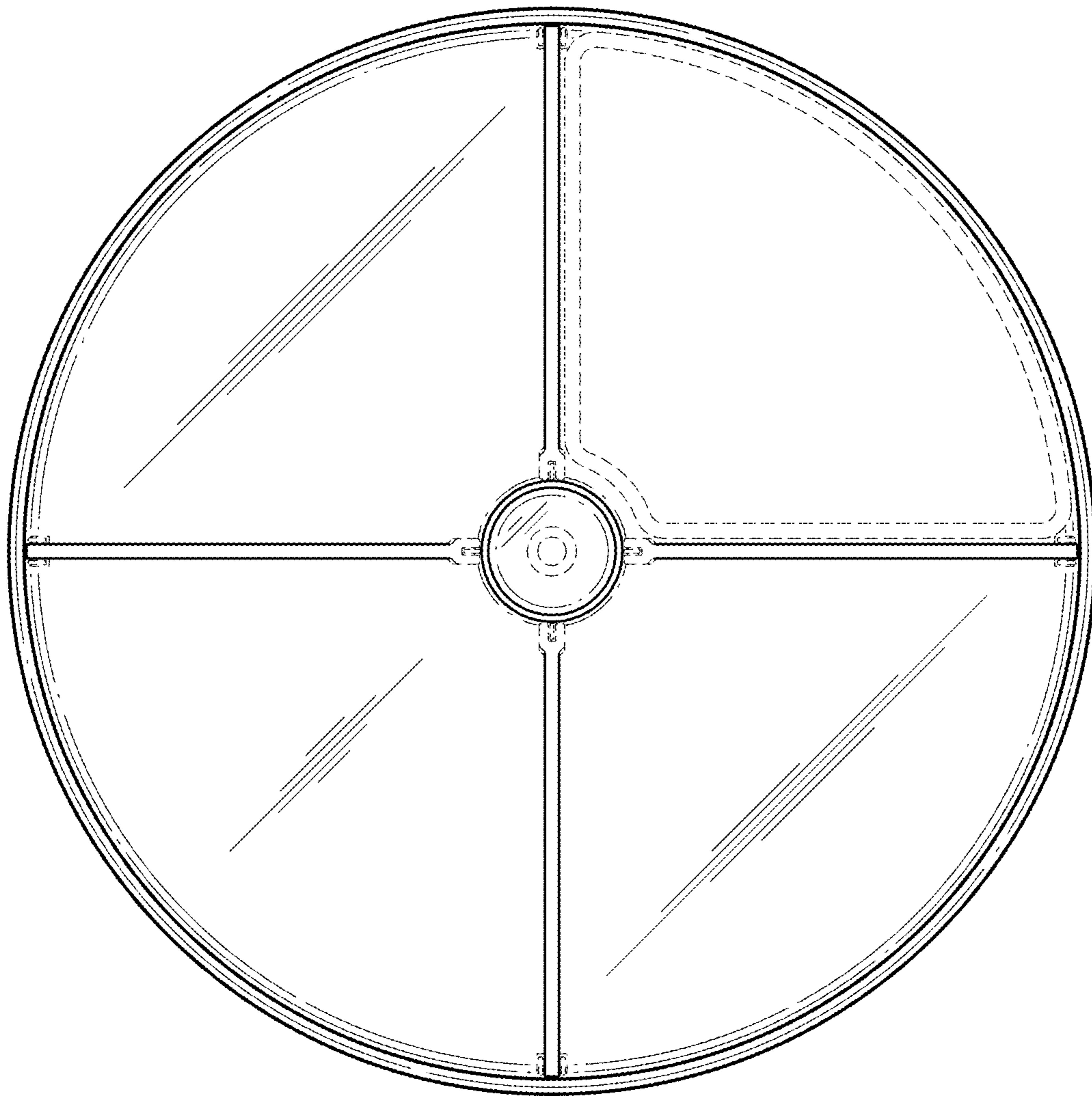


FIG. 5

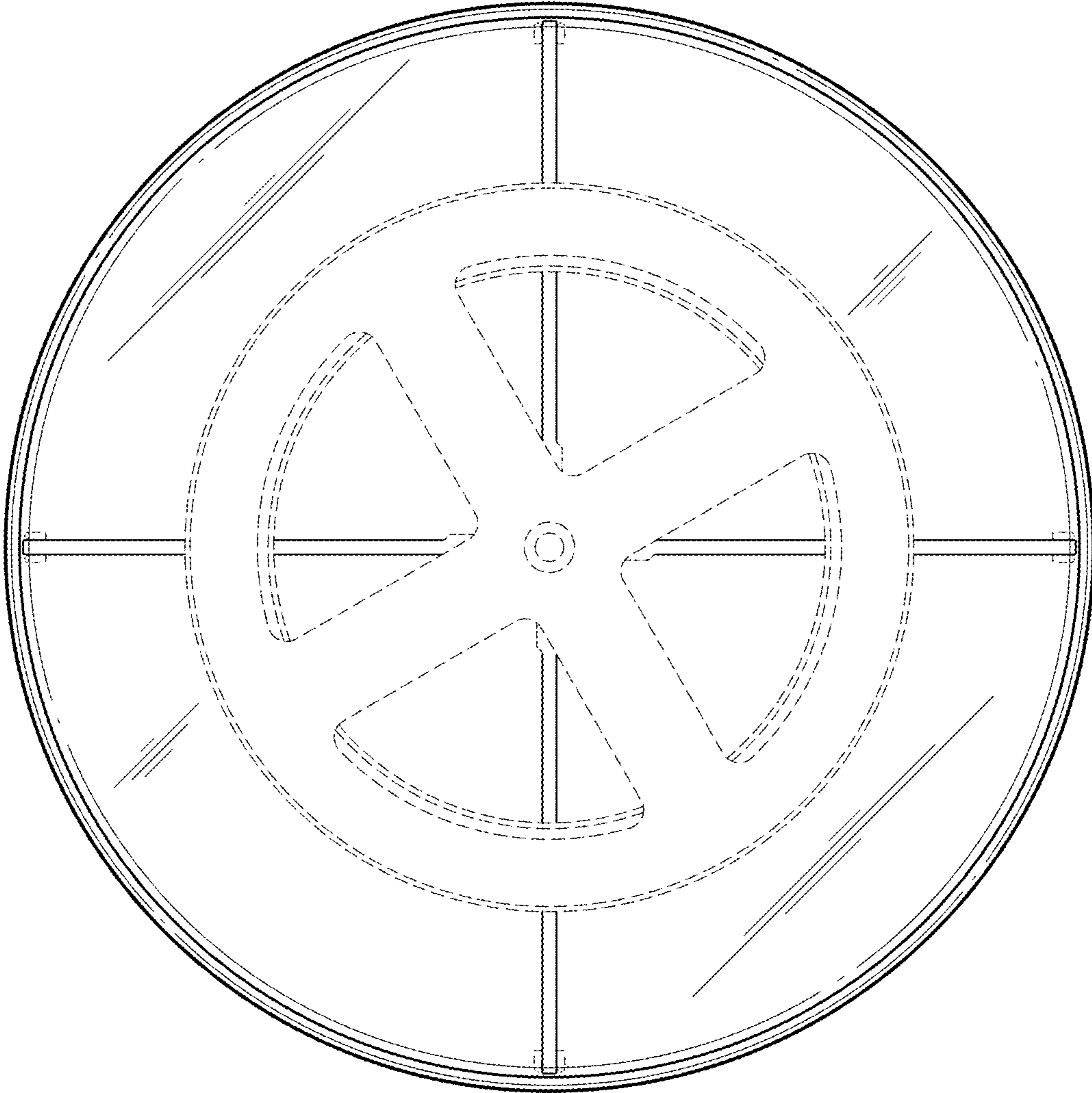


FIG. 6