



US00D968161S

(12) **United States Design Patent**
Pedersen et al.

(10) **Patent No.:** **US D968,161 S**
(45) **Date of Patent:** **** Nov. 1, 2022**

(54) **SUCTION CUP**

(71) Applicant: **Gripwiiq ApS**, Frederikshavn (DK)

(72) Inventors: **Mads Møller Pedersen**, Jerup (DK);
Rene Nørgaard, Støvring (DK)

(73) Assignee: **Gripwiiq ApS**

(**) Term: **15 Years**

(21) Appl. No.: **29/788,206**

(22) Filed: **Apr. 12, 2021**

(51) **LOC (13) Cl.** **07-04**

(52) **U.S. Cl.**
USPC **D7/412**; D15/146

(58) **Field of Classification Search**
USPC D15/199, 145–146; D21/576, 578, 566;
D24/113, 170, 200, 215, 133, 138;
D7/368, 369, 386, 397, 401, 412, 601,
D7/605, 688, 689, 692
CPC A61B 5/0476; A61B 5/165; A61B 5/4836;
A61H 15/0078; B23K 9/133; B23K
9/287; B25J 9/0018; B25J 19/0025
See application file for complete search history.

(56) **References Cited**

U.S. PATENT DOCUMENTS

| | | | | | | |
|-----------|---|---|---------|-------------|-------|--------------|
| 3,217,949 | A | * | 11/1965 | Davis | | B65D 47/0876 |
| | | | | | | 220/837 |
| 4,723,693 | A | * | 2/1988 | DeCoster | | B65D 47/0876 |
| | | | | | | 222/545 |
| D302,102 | S | * | 7/1989 | Amagaya | | D19/65 |
| D494,812 | S | * | 8/2004 | Tremblay | | D7/401 |
| D760,374 | S | * | 6/2016 | Nagar | | D24/108 |
| D813,380 | S | * | 3/2018 | Stonecipher | | D24/113 |
| D823,913 | S | * | 7/2018 | Chou | | D15/146 |

| | | | | | | |
|----------|---|---|--------|---------|-------|---------|
| D882,760 | S | * | 4/2020 | Katz | | D24/111 |
| D924,390 | S | * | 7/2021 | Kolenda | | D24/111 |
| D948,588 | S | * | 4/2022 | Li | | D15/146 |

OTHER PUBLICATIONS

“Robot Suction cups SofTouch for handling of patties, pancakes, frozen vegetables” [online]. Gripwiiq Experts in Soft Vacuum Grippers for food. [Published on Apr. 12, 2021]. Retrieved from the Internet: <<https://www.youtube.com/watch?v=118tpp3M0Yg>>.*
“Vacuum Grippers for the food processing and packaging industry” [online]. Gripwiiq. [Retrieved on Jun. 11, 2022]. Retrieved from the Internet: <<https://gripwiiq.com/cases/>>.*

* cited by examiner

Primary Examiner — Mojtaba Tehrani

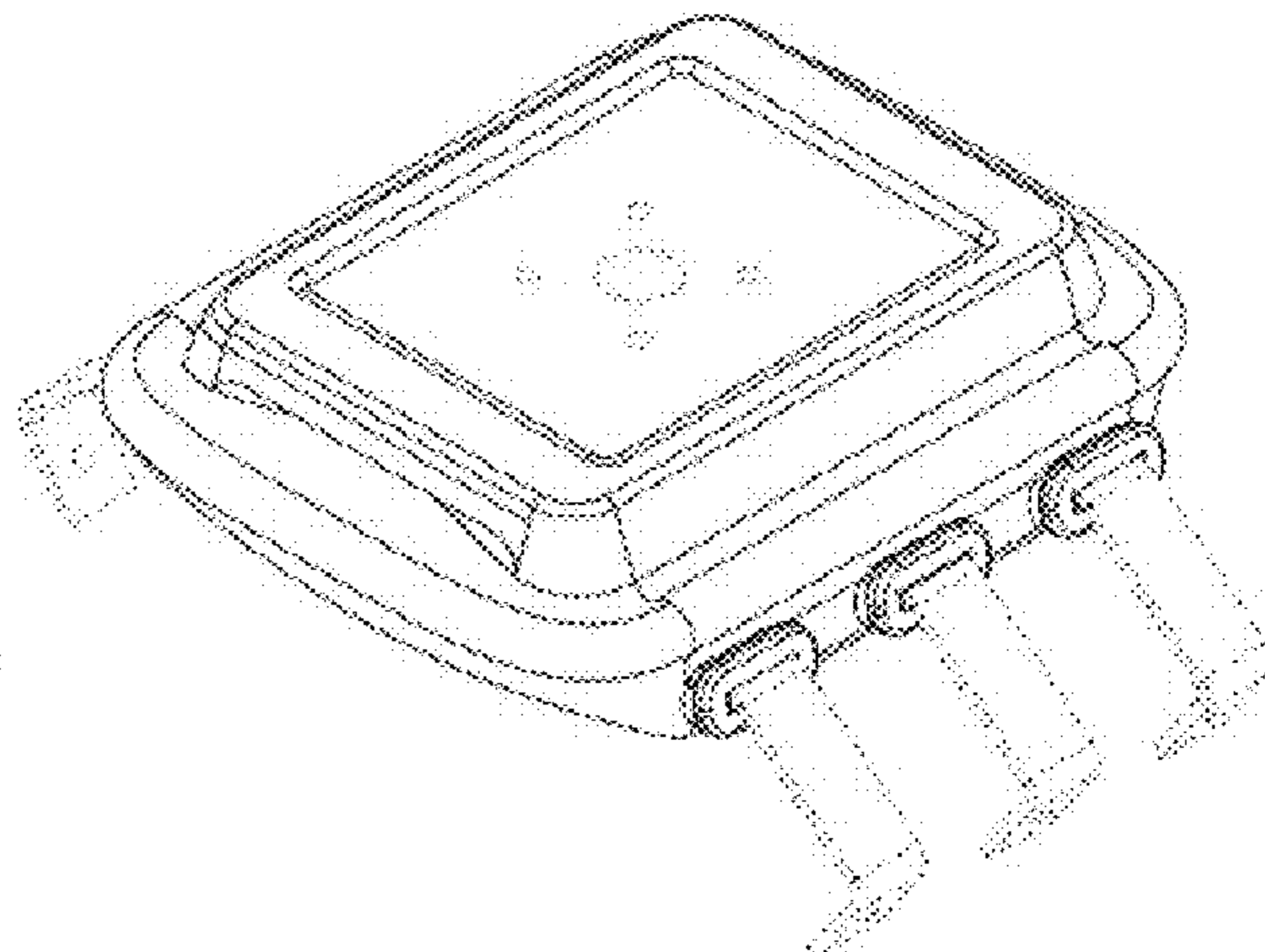
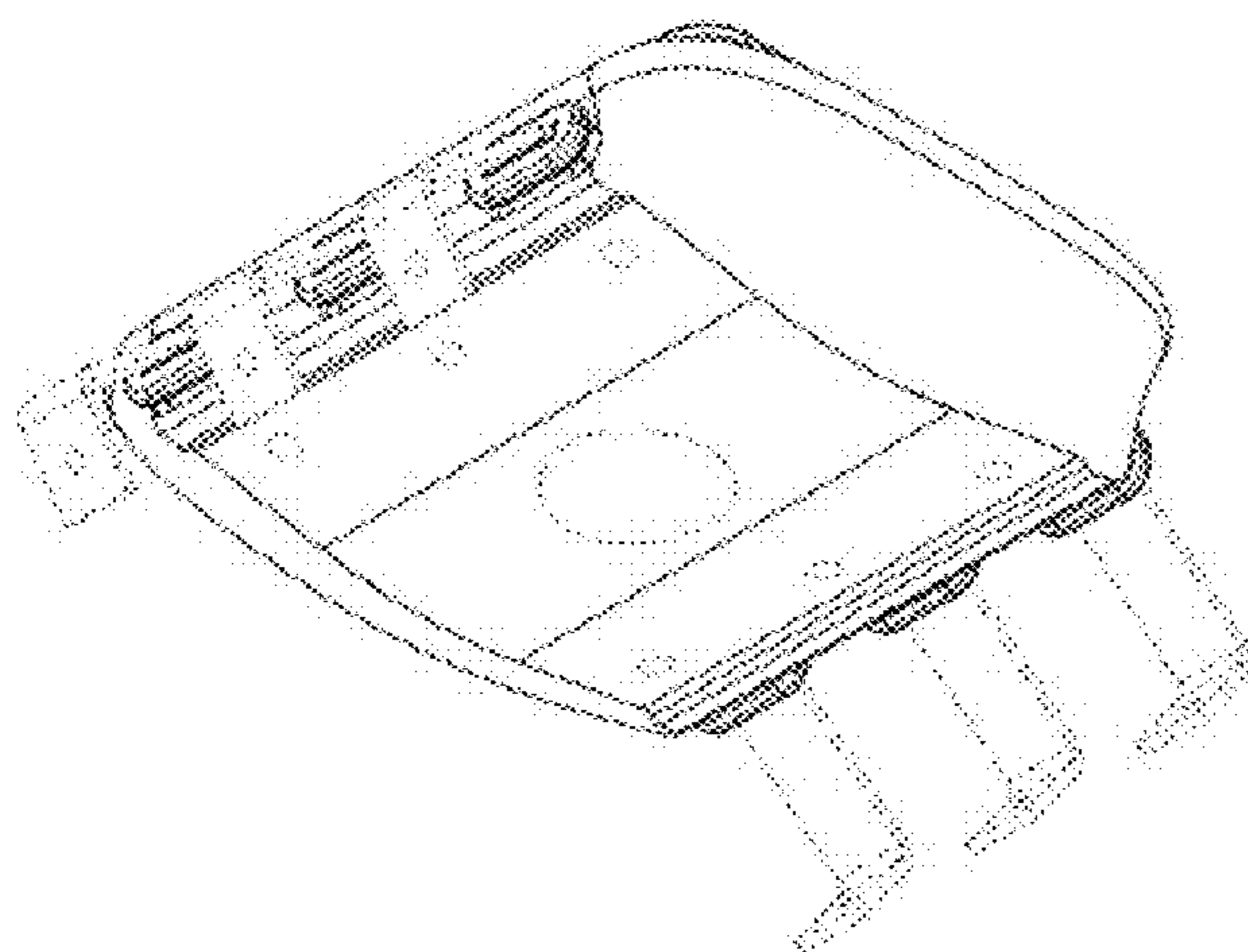
(57) **CLAIM**

The ornamental design for a suction cup, as shown and described.

DESCRIPTION

FIG. 1 is a front elevational view of a suction cup showing our new design, the rear elevational view of which is a mirror image;
FIG. 2 is left side elevational view of the suction cup shown in FIG. 1, the right side elevational view of which is a mirror image;
FIG. 3 is a front, left, bottom perspective view of the suction cup shown in FIG. 1; and,
FIG. 4 is rear, right, top perspective view of the suction cup shown in FIG. 1.
Portions of the article not shown in the drawing, if any, form no part of the claimed design.
The broken lines in the drawings depicts unclaimed portions of the suction cup only, and form no part of the claimed design.

1 Claim, 3 Drawing Sheets



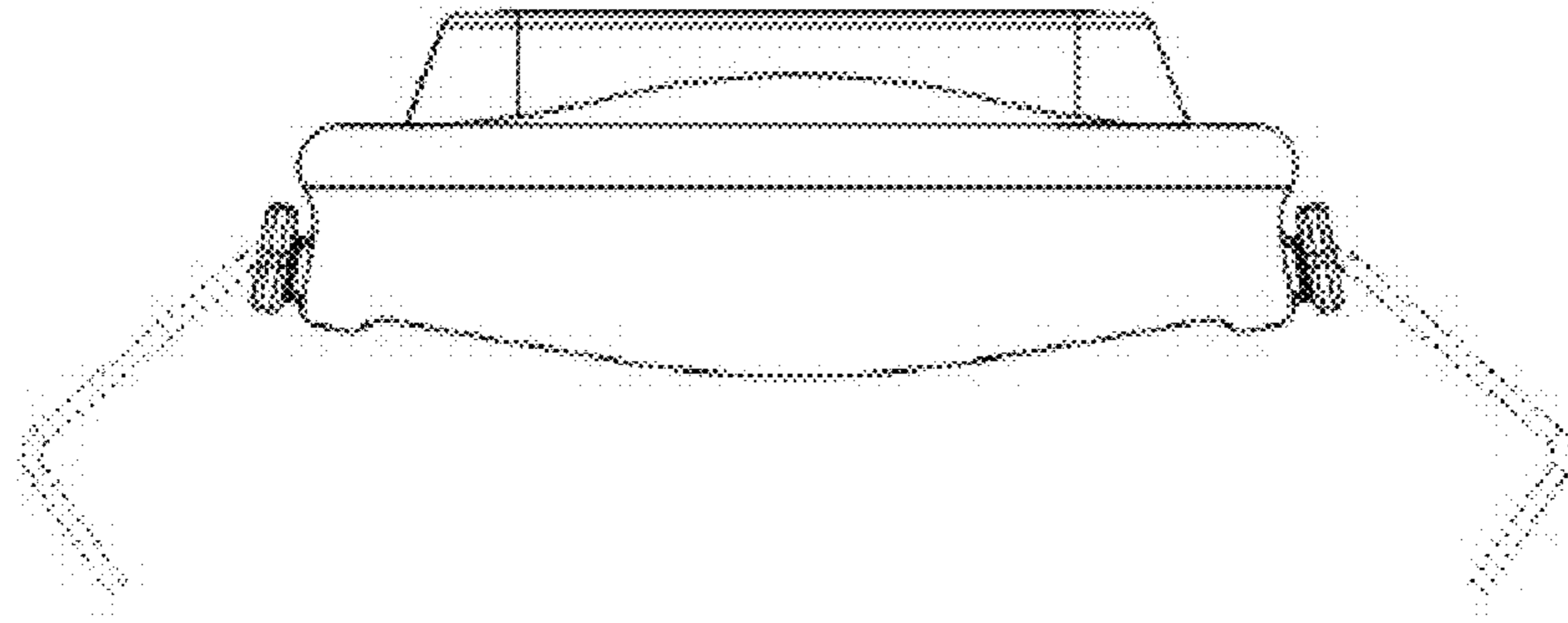


FIG. 1

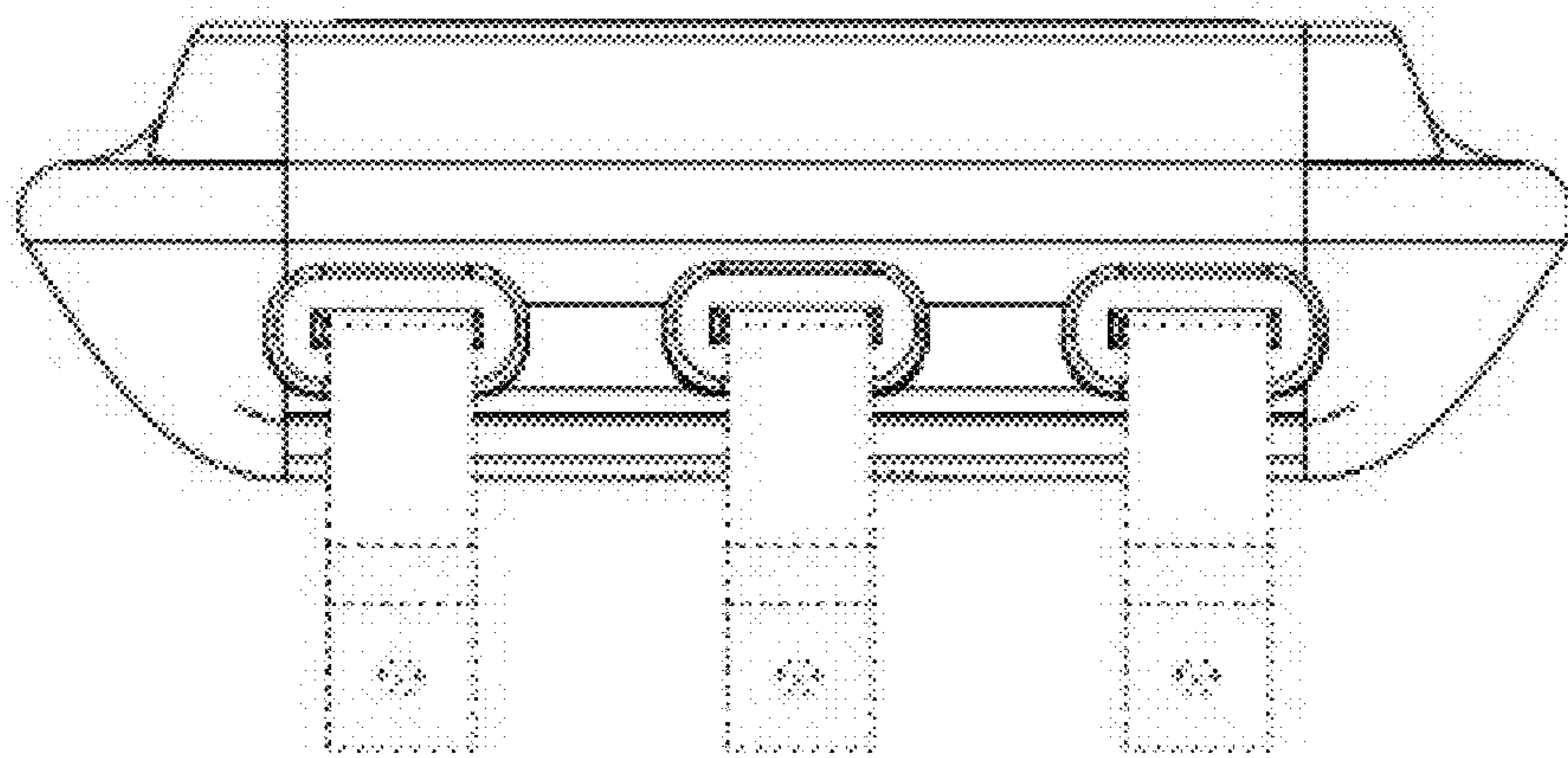


FIG. 2

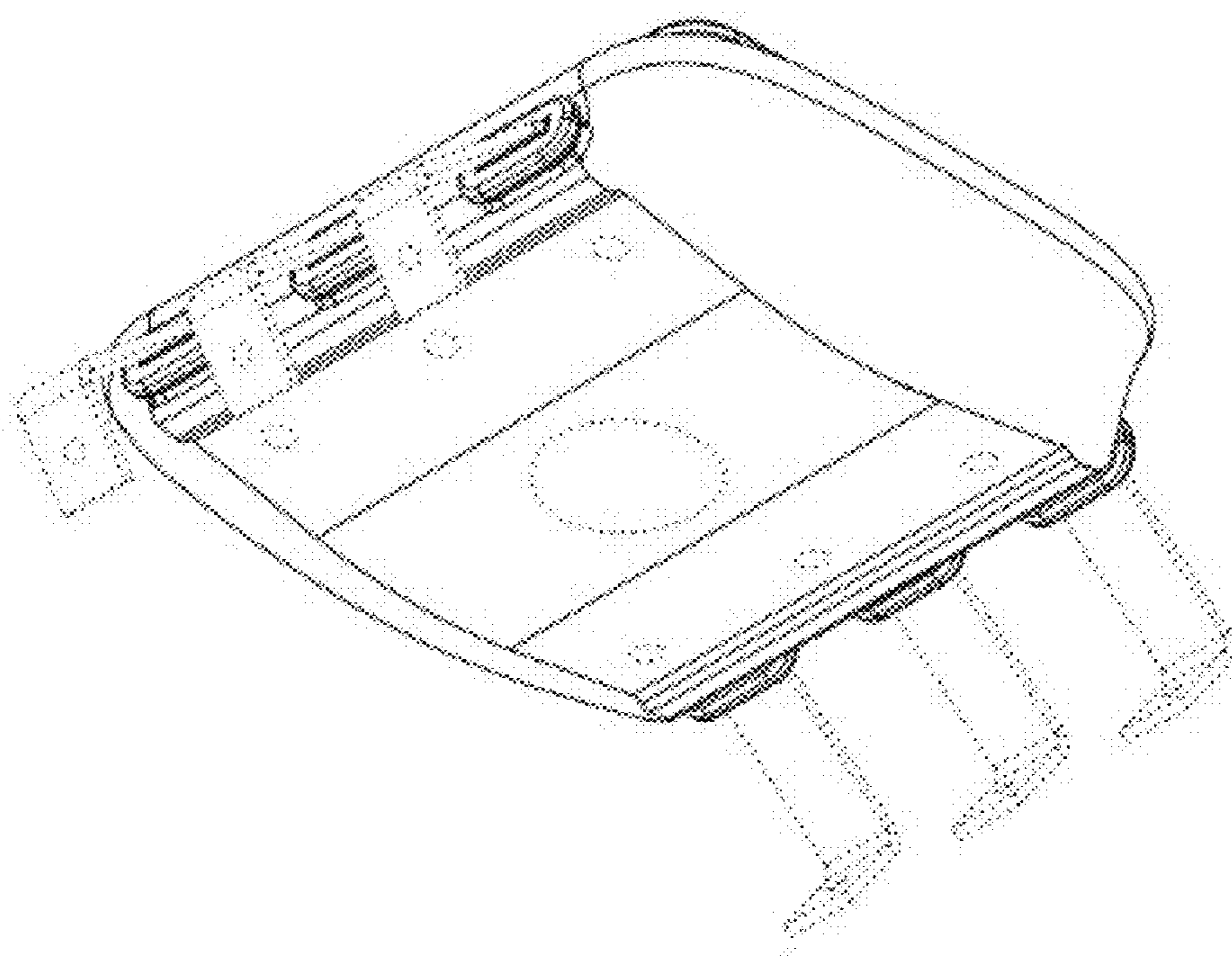


FIG. 3

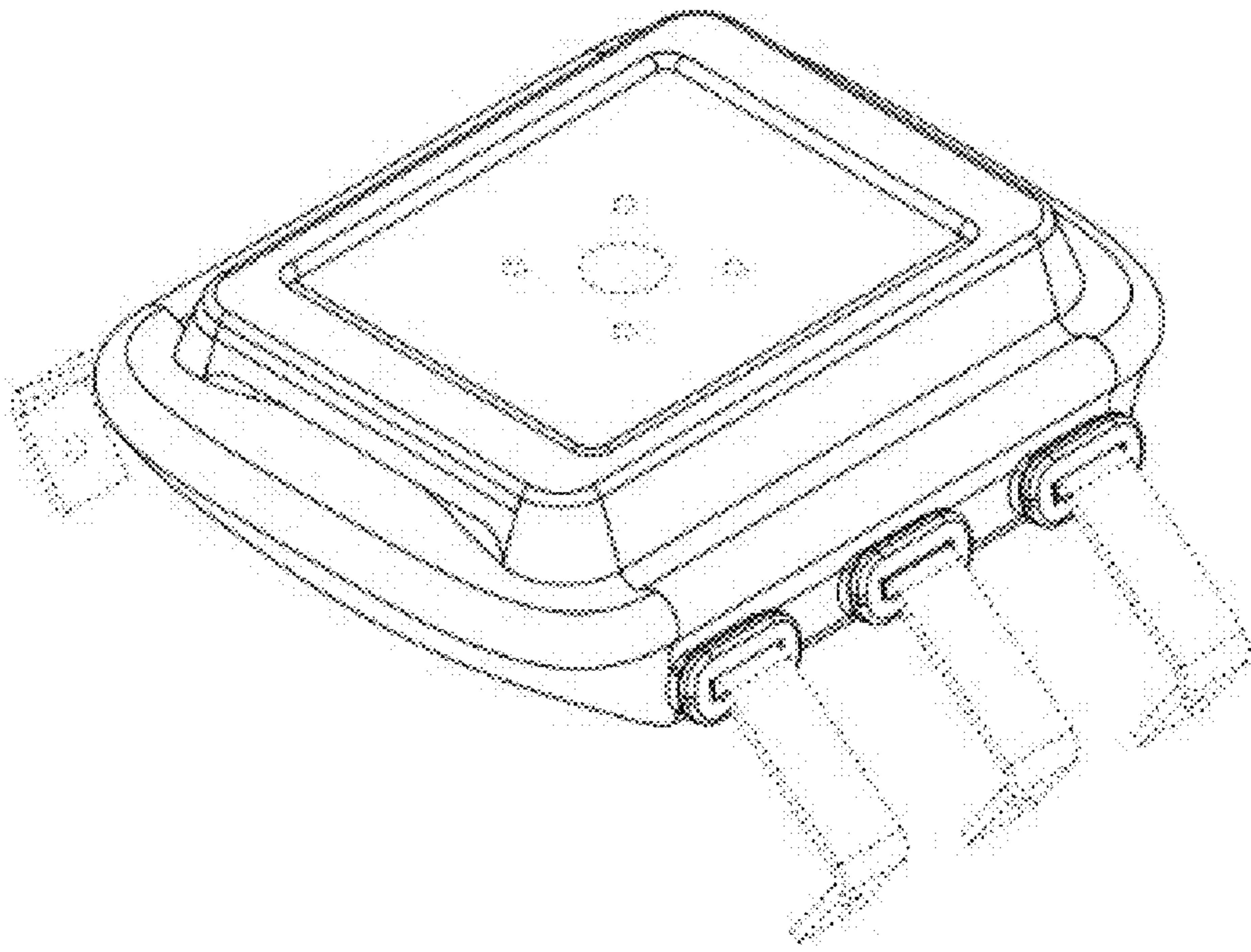


FIG. 4