



US00D968160S

(12) **United States Design Patent**
Pedersen et al.

(10) **Patent No.:** **US D968,160 S**
(45) **Date of Patent:** **** Nov. 1, 2022**

(54) **SUCTION CUP**

D932,006 S * 9/2021 Nicholas D24/113
D946,350 S * 3/2022 Minard D7/412
D946,970 S * 3/2022 Minard D7/412

(71) Applicant: **Gripwiiq ApS**, Frederikshavn (DK)

(72) Inventors: **Mads Møller Pedersen**, Jerup (DK);
Rene Nørgaard, Støvring (DK)

(73) Assignee: **Gripwiiq ApS**

(**) Term: **15 Years**

(21) Appl. No.: **29/788,205**

(22) Filed: **Apr. 12, 2021**

(51) **LOC (13) Cl.** **07-04**

(52) **U.S. Cl.**
USPC **D7/412**; D15/146

(58) **Field of Classification Search**
USPC D15/199, 145-146; D21/576, 578, 566;
D24/113, 170, 200, 215, 133, 138;
D7/368, 369, 386, 397, 401, 412, 601,
D7/605, 688, 689, 692
CPC A61B 5/0476; A61B 5/165; A61B 5/4836;
A61H 15/0078; B23K 9/133; B23K
9/287; B25J 9/0018; B25J 19/0025
See application file for complete search history.

(56) **References Cited**

U.S. PATENT DOCUMENTS

D396,993 S * 8/1998 Ruck D7/412
D403,203 S * 12/1998 Ruck D7/412
D592,454 S * 5/2009 Boozer D7/412
D663,170 S * 7/2012 Schlor D7/665
D779,325 S * 2/2017 Vigoureux D9/443
D836,394 S * 12/2018 Blofeld D7/378
D842,025 S * 3/2019 Hauser D7/381
D859,066 S * 9/2019 Upston D7/412
D859,913 S * 9/2019 Thomas D7/412
D871,140 S * 12/2019 Brouillac D7/412
D880,236 S * 4/2020 Carlson D7/381
D925,032 S * 7/2021 Brown D24/113
D931,452 S * 9/2021 Baba D24/138

OTHER PUBLICATIONS

“Robot Suction cups SofTouch for handling of patties, pancakes, frozen vegetables” [online]. Gripwiiq Experts in Soft Vacuum Grippers for food. [Published on Apr. 12, 2021]. Retrieved from the Internet: <<https://www.youtube.com/watch?v=118tpp3M0Yg>>.*
“Vacuum Grippers for the food processing and packaging industry” [online]. Gripwiiq. [Retrieved on Jun. 11, 2022]. Retrieved from the Internet: <<https://gripwiiq.com/cases/>>.*

* cited by examiner

Primary Examiner — Mojtaba Tehrani

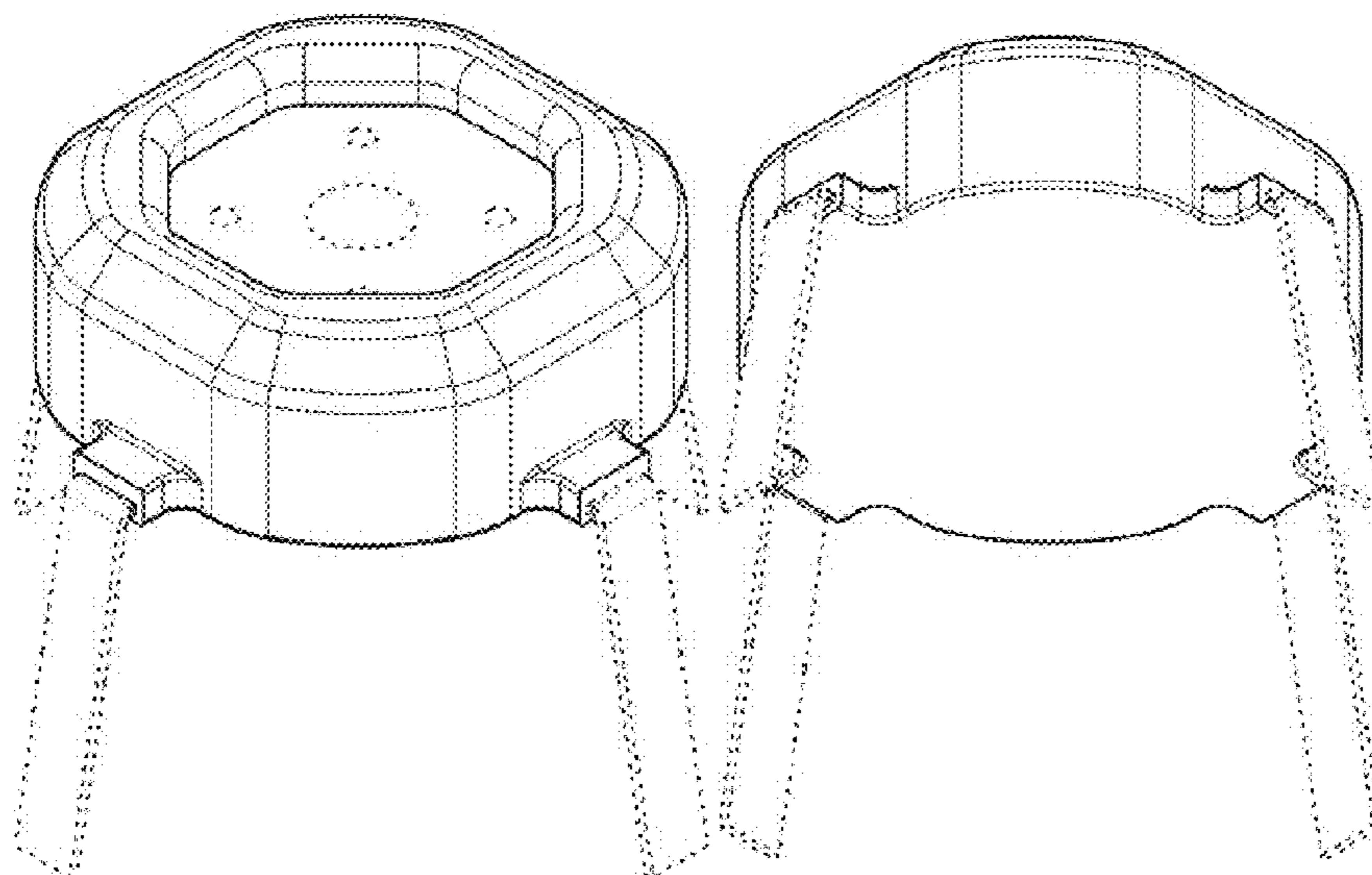
(57) **CLAIM**

The ornamental design for a suction cup, as shown and described.

DESCRIPTION

FIG. 1 is a top, front, right perspective view of a suction cup showing our new design;
FIG. 2 is bottom plan view of the suction cup shown in FIG. 1;
FIG. 3 is front elevational view of the suction cup shown in FIG. 1, the rear elevational view of which is a mirror image;
FIG. 4 is top plan view of the suction cup shown in FIG. 1;
FIG. 5 is a left side elevational view of the suction cup shown in FIG. 1, the right side elevational view of which is a mirror image; and,
FIG. 6 is a bottom, rear, left perspective view of a suction cup showing our new design.
Portions of the article not shown in the drawing, if any, form no part of the claimed design.
The broken lines in the drawings depicts unclaimed portions of the suction cup only, and form no part of the claimed design.

1 Claim, 6 Drawing Sheets



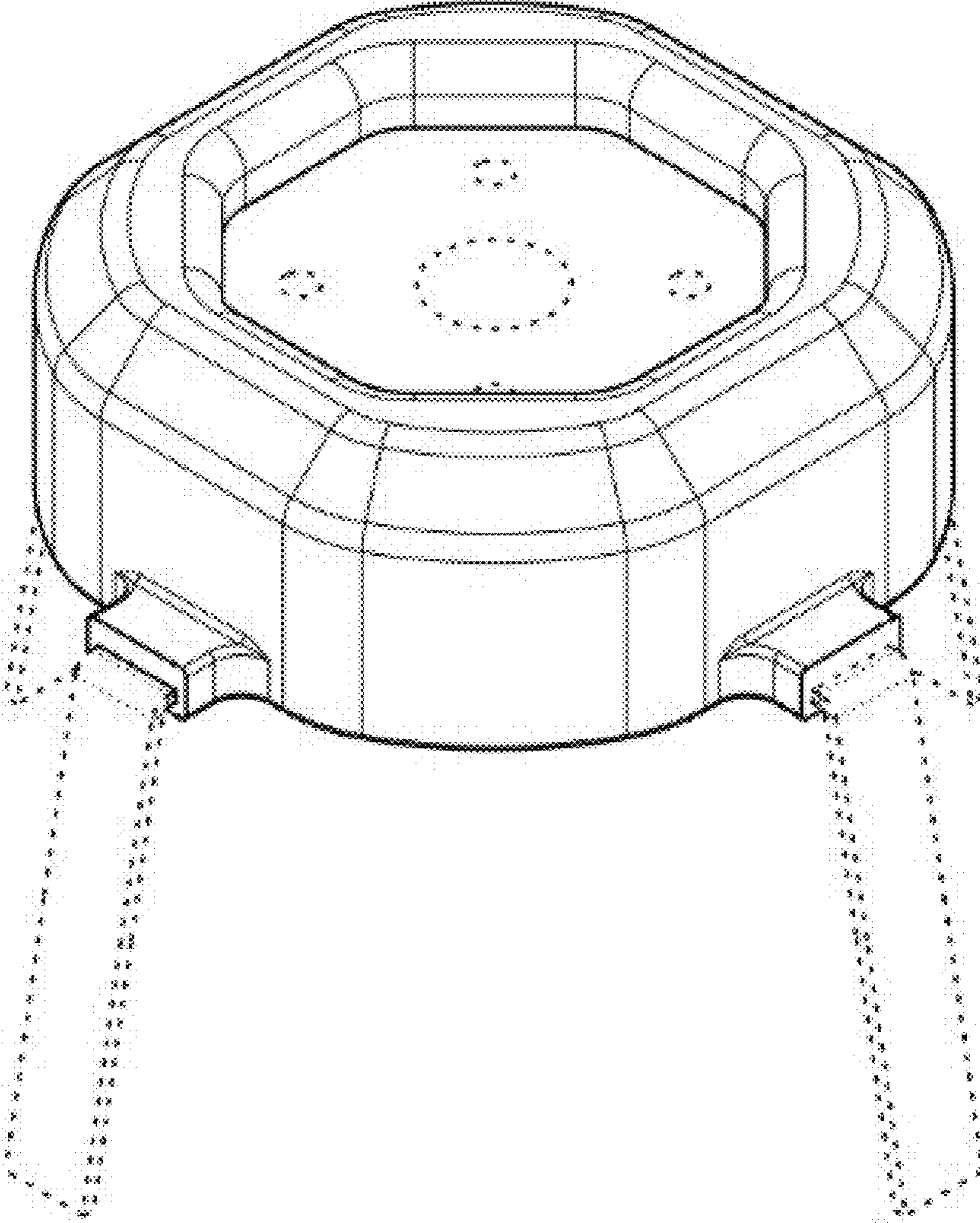


FIG. 1

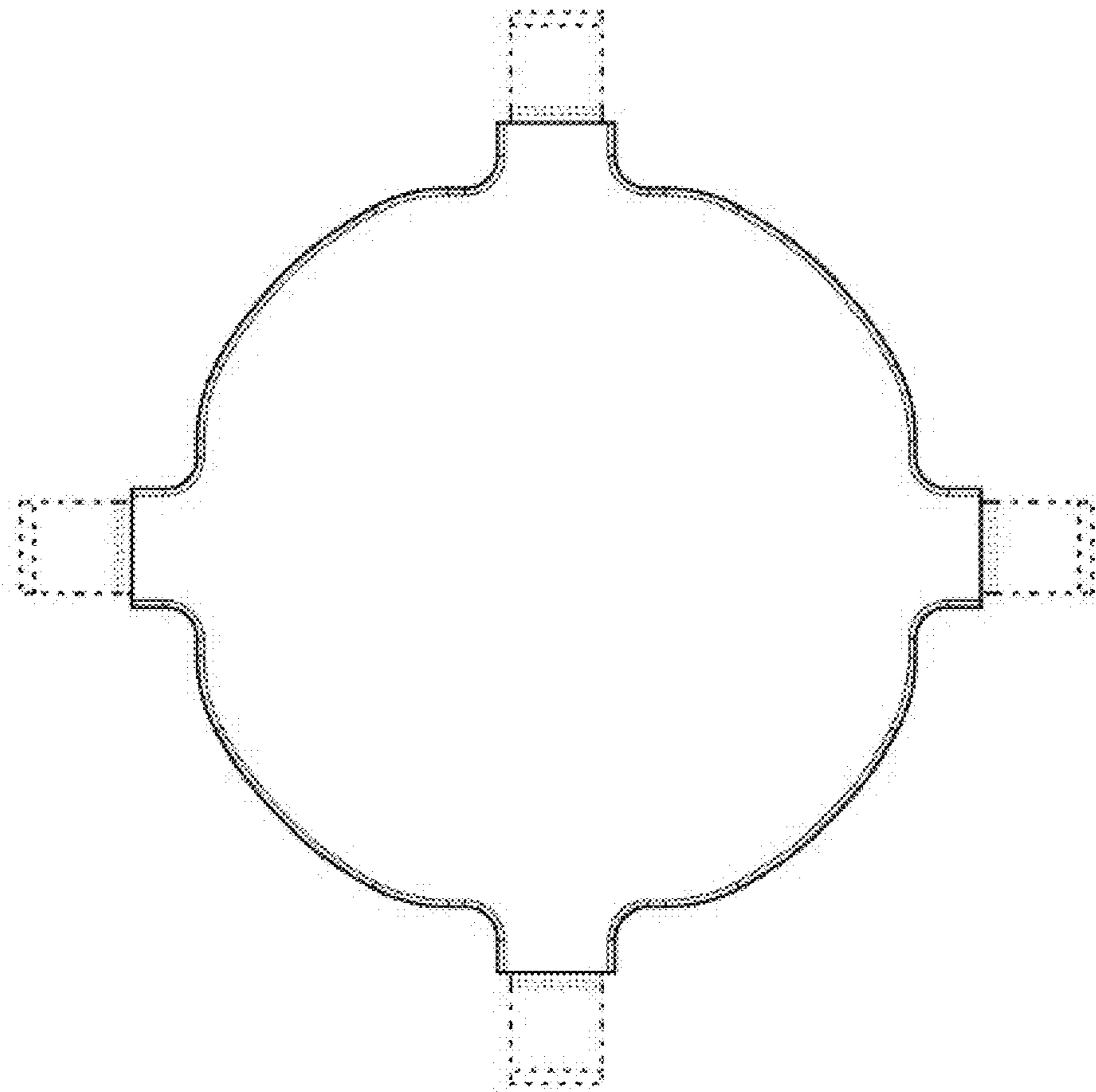


FIG. 2

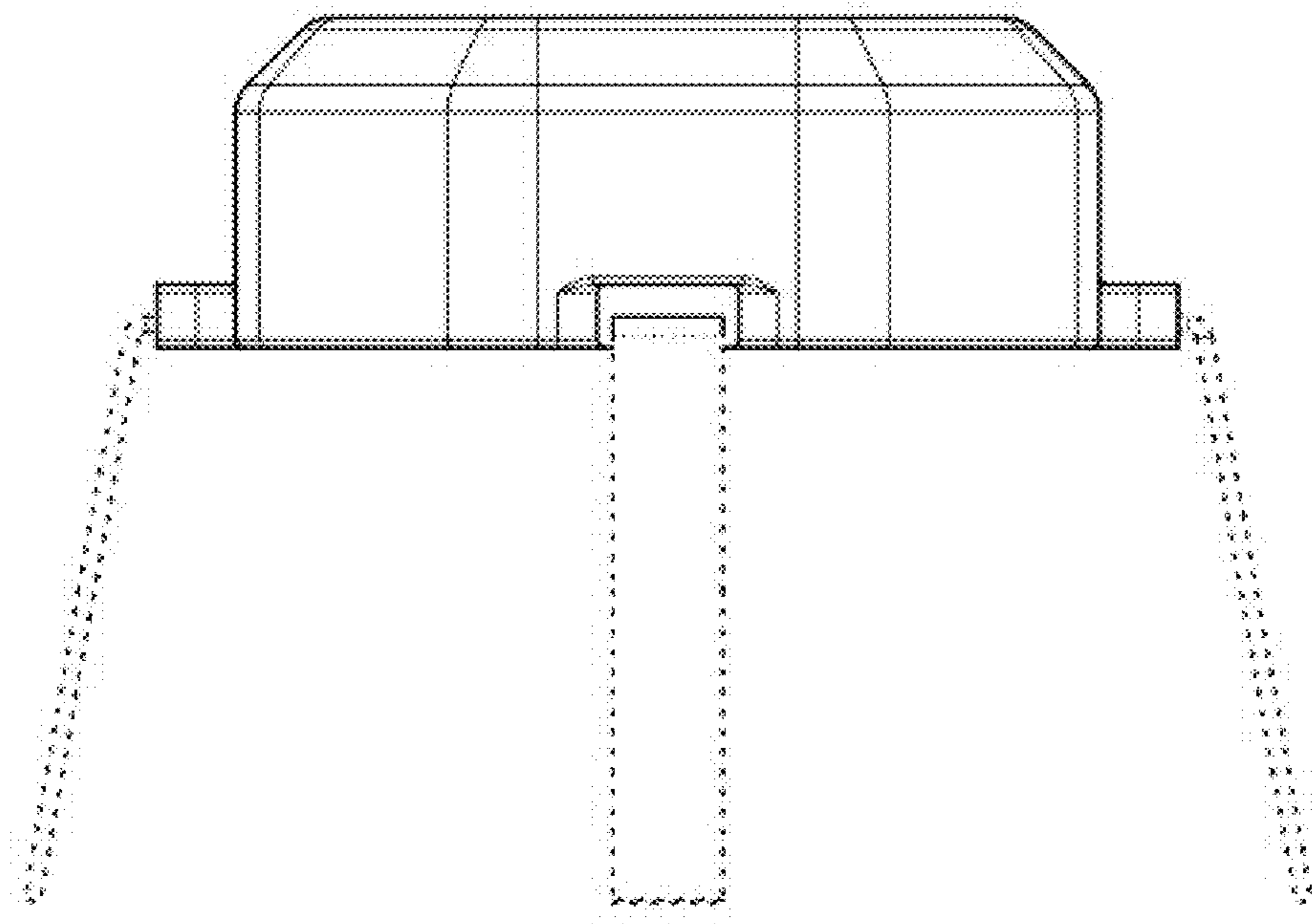


FIG. 3

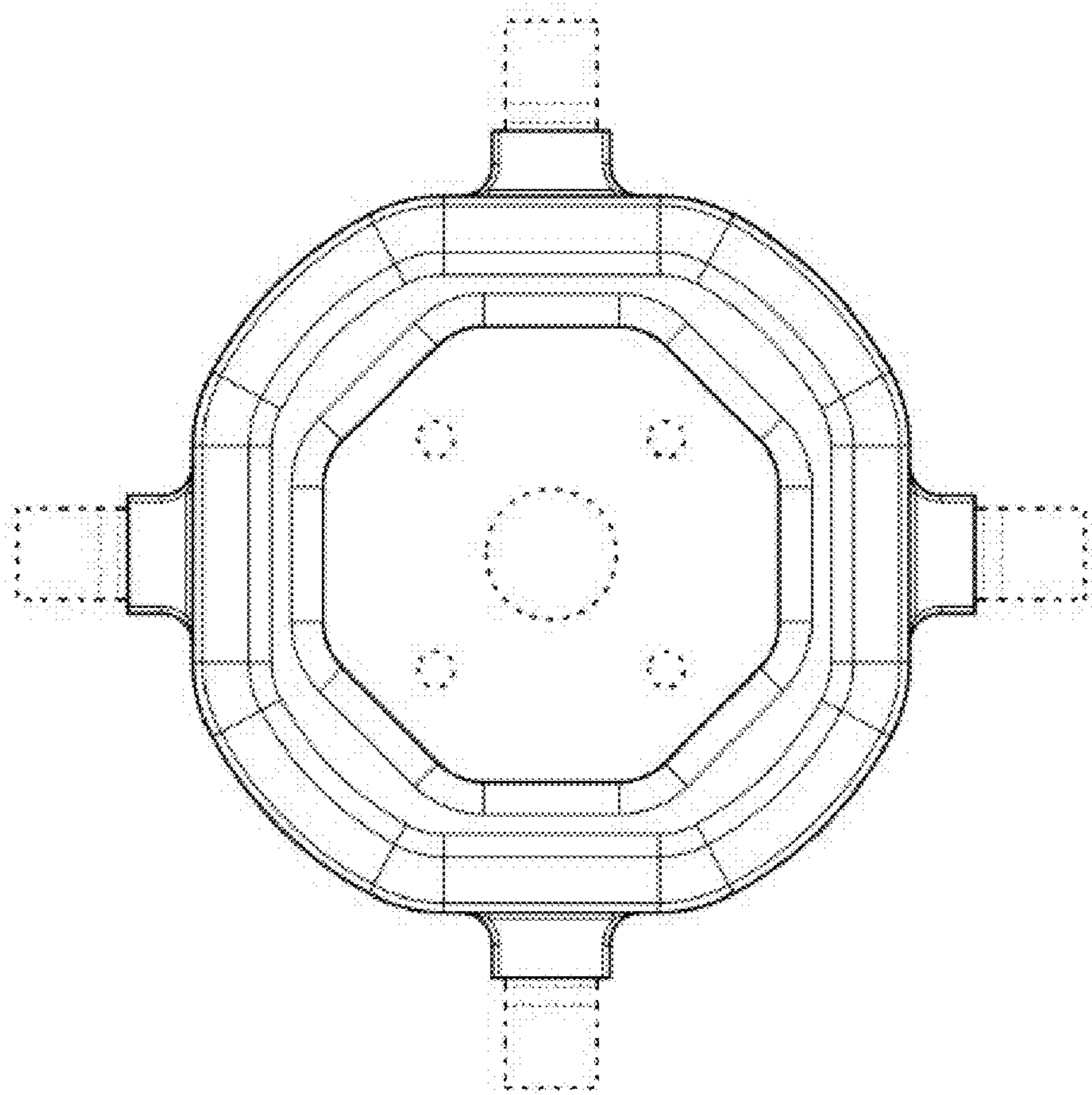


FIG. 4

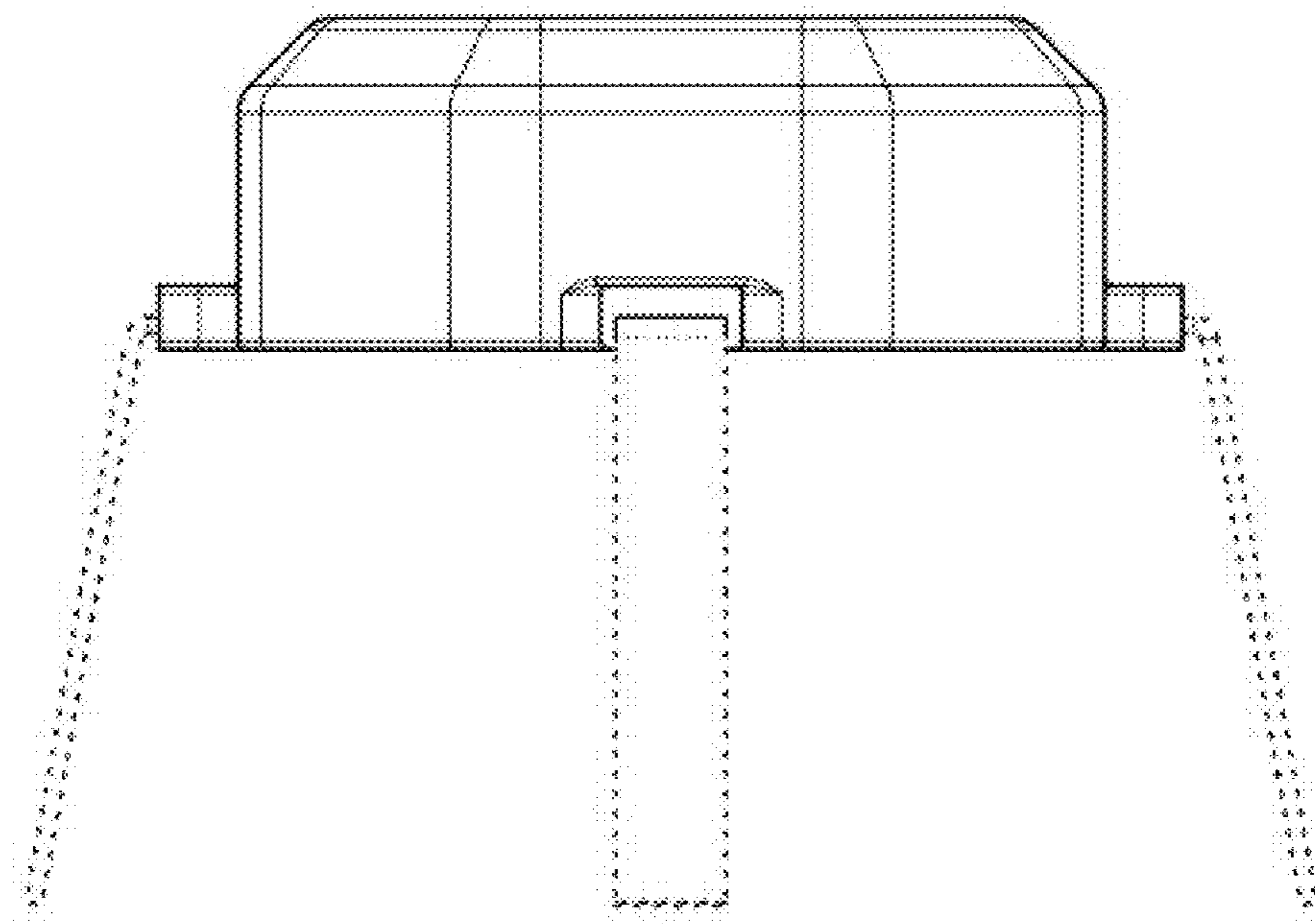


FIG. 5

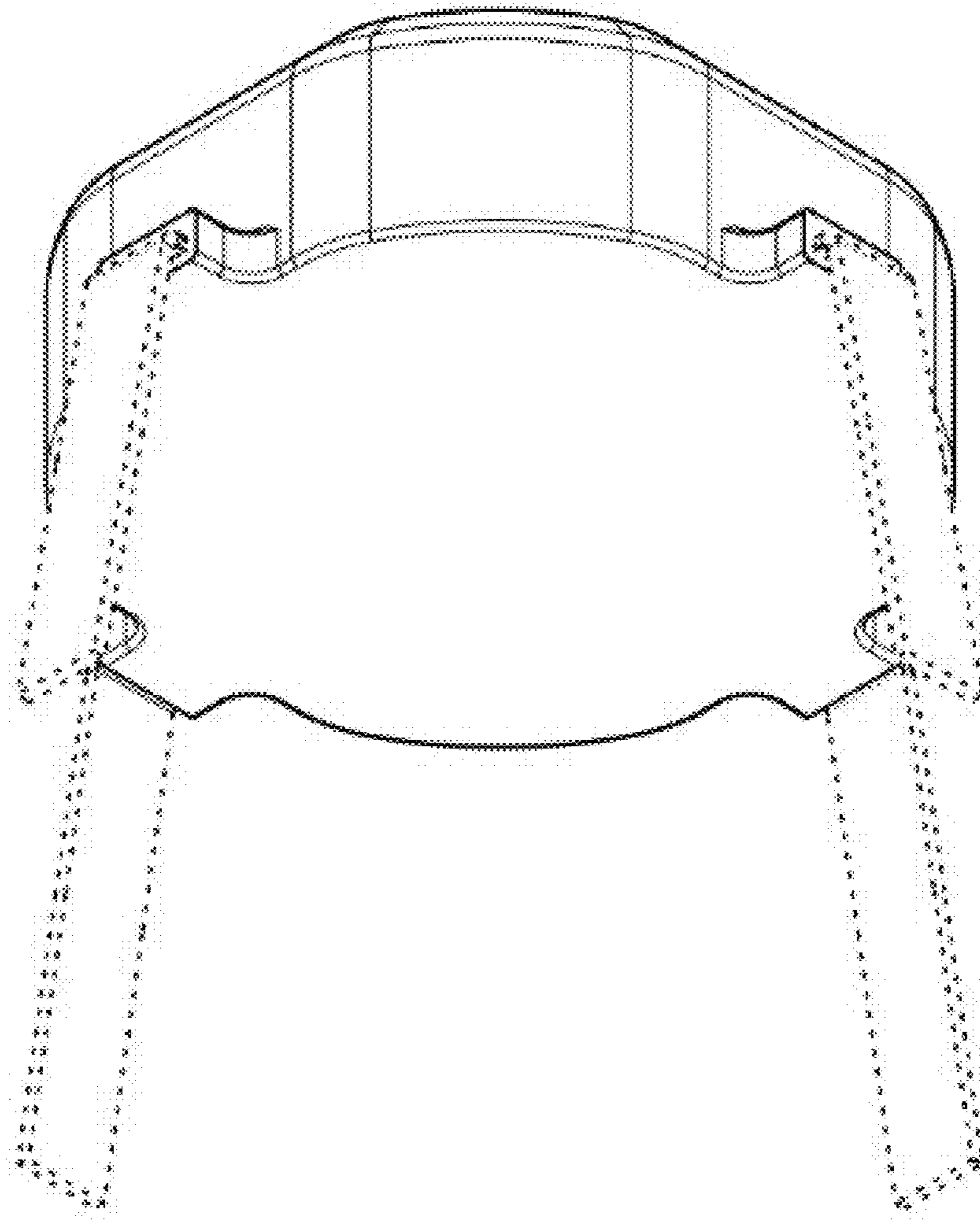


FIG. 6