



US00D968159S

(12) **United States Design Patent** (10) **Patent No.:** **US D968,159 S**
Leeds et al. (45) **Date of Patent:** **** Nov. 1, 2022**

(54) **BOTTLE FILLER FOUNTAIN ACCESS DOOR** 4,597,525 A * 7/1986 Cushman B67D 1/16
239/28
(71) Applicant: **GLOBAL INDUSTRIAL** D545,109 S * 6/2007 Clark D7/304
DISTRIBUTION INC., Port D873,606 S * 1/2020 Young B67D 1/16
Washington, NY (US) D7/397
(Continued)

(72) Inventors: **Richard Leeds**, Port Washington, NY (US); **Phillip Lee**, Port Washington, NY (US); **Bruce Zutler**, Port Washington, NY (US)

(73) Assignee: **GLOBAL INDUSTRIAL DISTRIBUTION INC.**, Port Washington, NY (US)

(**) Term: **15 Years**

(21) Appl. No.: **29/714,416**

(22) Filed: **Nov. 22, 2019**

(51) **LOC (13) Cl.** **31-00**

(52) **U.S. Cl.**
USPC **D7/397**

(58) **Field of Classification Search**
USPC D7/300, 304-313, 387, 397; D20/1, 4, 5; D23/200, 201, 206, 320, 397; D30/121, D30/132; 239/24, 28; D25/48.8
CPC B67D 1/0014; B67D 1/0857; B67D 1/088; B67D 1/124; B67D 1/16; B67D 2210/0001; B67D 2210/00031; B67D 2210/00039; B67D 2210/00041; E03B 7/07; E03B 9/20
See application file for complete search history.

(56) **References Cited**

U.S. PATENT DOCUMENTS

D188,572 S * 8/1960 Castillo B67D 1/0888
D7/304
D237,546 S * 11/1975 Kelly D7/304
4,370,644 A * 1/1983 Droz G08B 13/08
340/528

OTHER PUBLICATIONS

Refrigerated Drinking Fountain with Bottle Filler, Global Industrial, [online], [site visited Oct. 7, 2021], Available from internet URL: <https://www.globalindustrial.com/p/global-wall-mounted-refilling-station-stainless-steel> (Year: 2021).*
(Continued)

Primary Examiner — Mary Ann Calabrese
Assistant Examiner — Natalya M Rapundalo
(74) *Attorney, Agent, or Firm* — Troutman Pepper Hamilton Sanders LLP

(57) **CLAIM**

The ornamental design for a bottle filler fountain access door, as shown and described.

DESCRIPTION

FIG. 1 is a front left perspective view of a bottle filler fountain access door according to a first embodiment; FIG. 2 is a left side view of the bottle filler fountain access door of FIG. 1; FIG. 3 is a front left perspective view of a bottle filler fountain access door according to a second embodiment; and, FIG. 4 is a left side view of the bottle filler fountain access door of FIG. 3.
The broken lines in the drawings show environment and portions of the bottle filler fountain access door and form no part of the claimed design. A third embodiment of the claimed design is a mirror image of FIGS. 1-2. A fourth embodiment of the claimed design is a mirror image of FIGS. 3-4.

1 Claim, 4 Drawing Sheets

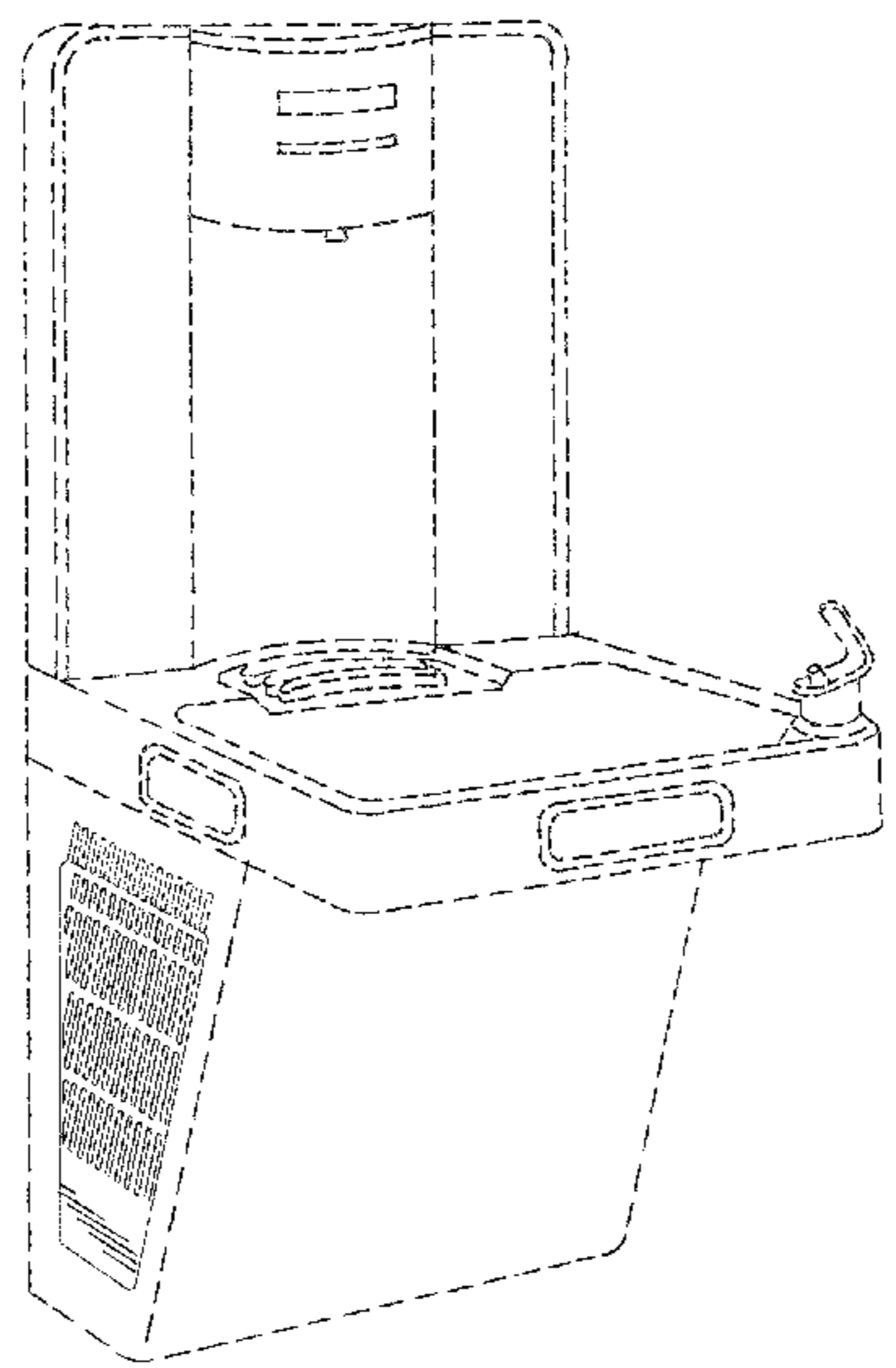


FIG. 1

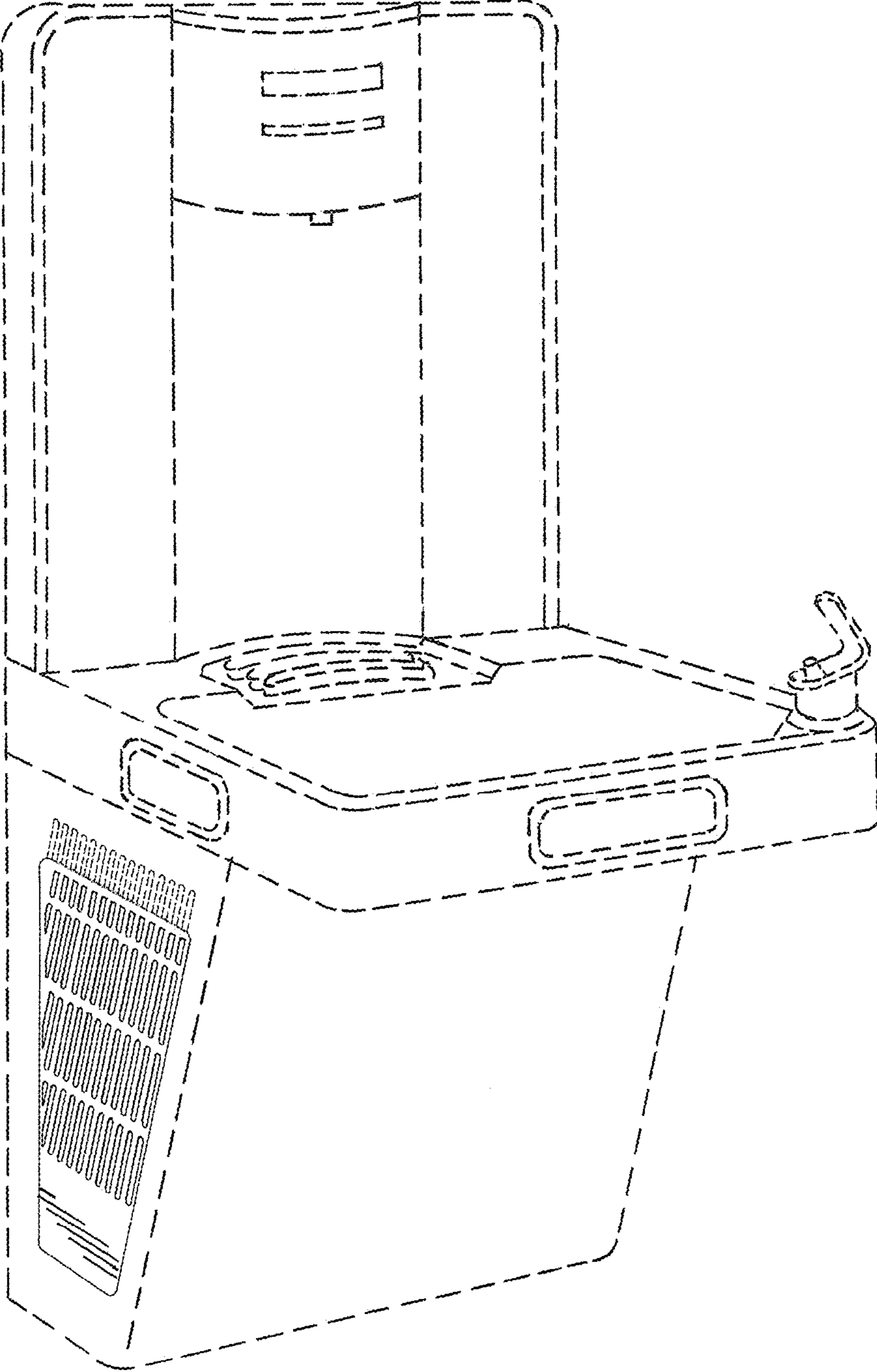


FIG. 2

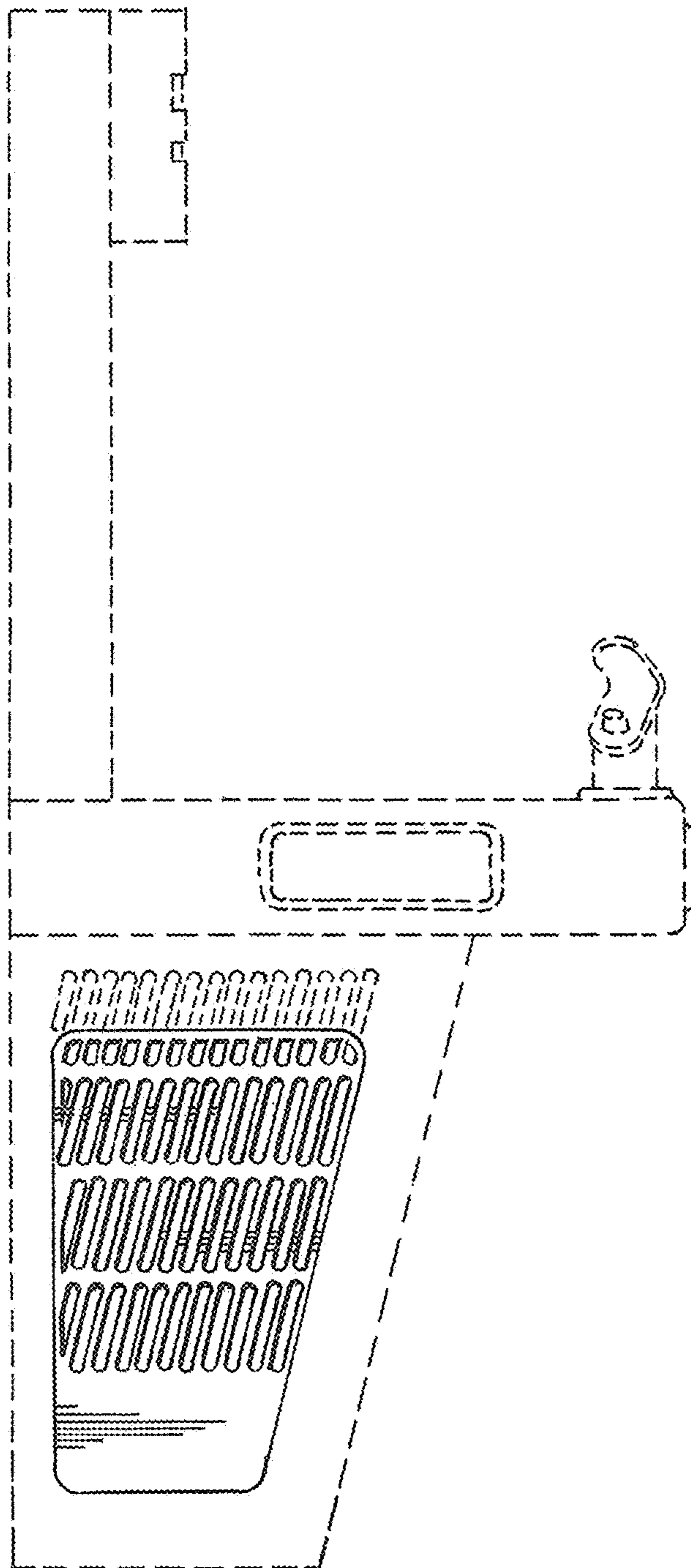


FIG. 3

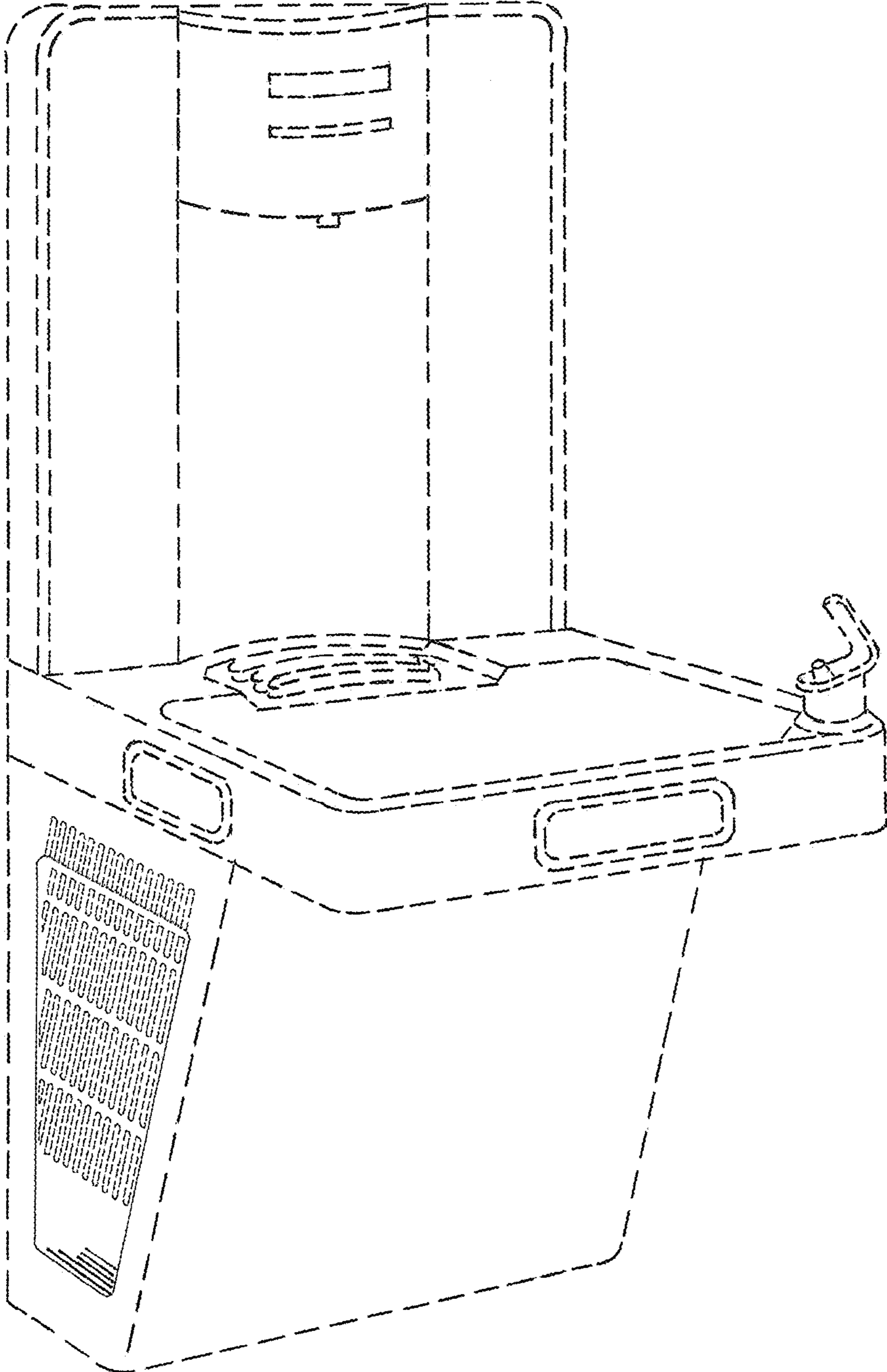


FIG. 4

