

US00D968158S

(12) **United States Design Patent** (10) **Patent No.:** **US D968,158 S**
Cordovez et al. (45) **Date of Patent:** **** Nov. 1, 2022**

(54) **MILK FROTHER STAND**
(71) Applicants: **Aaron Cordovez**, Clearwater, FL (US);
Youming Duan, Yuyao (CN)
(72) Inventors: **Aaron Cordovez**, Clearwater, FL (US);
Youming Duan, Yuyao (CN)

D617,157 S * 6/2010 Eacker D8/1
D655,568 S * 3/2012 Chapman D7/380
D711,771 S * 8/2014 Madrid D11/130
D780,515 S * 3/2017 Roden D7/416
D887,219 S * 6/2020 Hong D7/601
D918,614 S * 5/2021 Berkes D6/403
D920,000 S * 5/2021 Berkes D6/403
11,002,447 B2 * 5/2021 Roden F23Q 7/02

(Continued)

(**) Term: **15 Years**

(21) Appl. No.: **29/756,690**

(22) Filed: **Oct. 30, 2020**

(30) **Foreign Application Priority Data**

Jun. 14, 2020 (CN) 202030302036.1

(51) **LOC (13) Cl.** **07-06**

(52) **U.S. Cl.**
USPC **D7/388**

(58) **Field of Classification Search**
USPC D7/387, 388, 412, 413, 213, 690;
D11/130; D6/403-405, 310, 317
CPC A47F 7/00; A47F 7/0021; A47F 7/0071;
A47F 7/0078; A47F 7/28; A01G 5/06
See application file for complete search history.

(56) **References Cited**

U.S. PATENT DOCUMENTS

2,905,453 A * 9/1959 Wise B01F 7/00325
416/176
D267,679 S * 1/1983 Barney D7/683
5,558,236 A * 9/1996 Williams A47G 19/08
211/133.6
D383,364 S * 9/1997 Goodman D7/704
D393,159 S * 4/1998 Richards D11/148
D502,631 S * 3/2005 Burke D7/213
6,863,430 B2 * 3/2005 Berube B01F 13/002
366/129
D574,166 S * 8/2008 Kaisler D6/681.3
D574,670 S * 8/2008 Grady D6/681.2

OTHER PUBLICATIONS

Holster Stand | posted at Amazon.com, posted on Sept. 24, 2020, ©
1996-2021 Amazon.com, [online], [site visited Nov. 19, 2021].
Available from Internet, <URL:https://www.amazon.com/Milk-Boss-
Frother-Holster-Stand/dp/B08B443V99/ > (Year: 2020).*

Primary Examiner — Andrew Kerr

(74) *Attorney, Agent, or Firm* — Hanrahan Law Firm,
P.A.; Benjamin M. Hanrahan

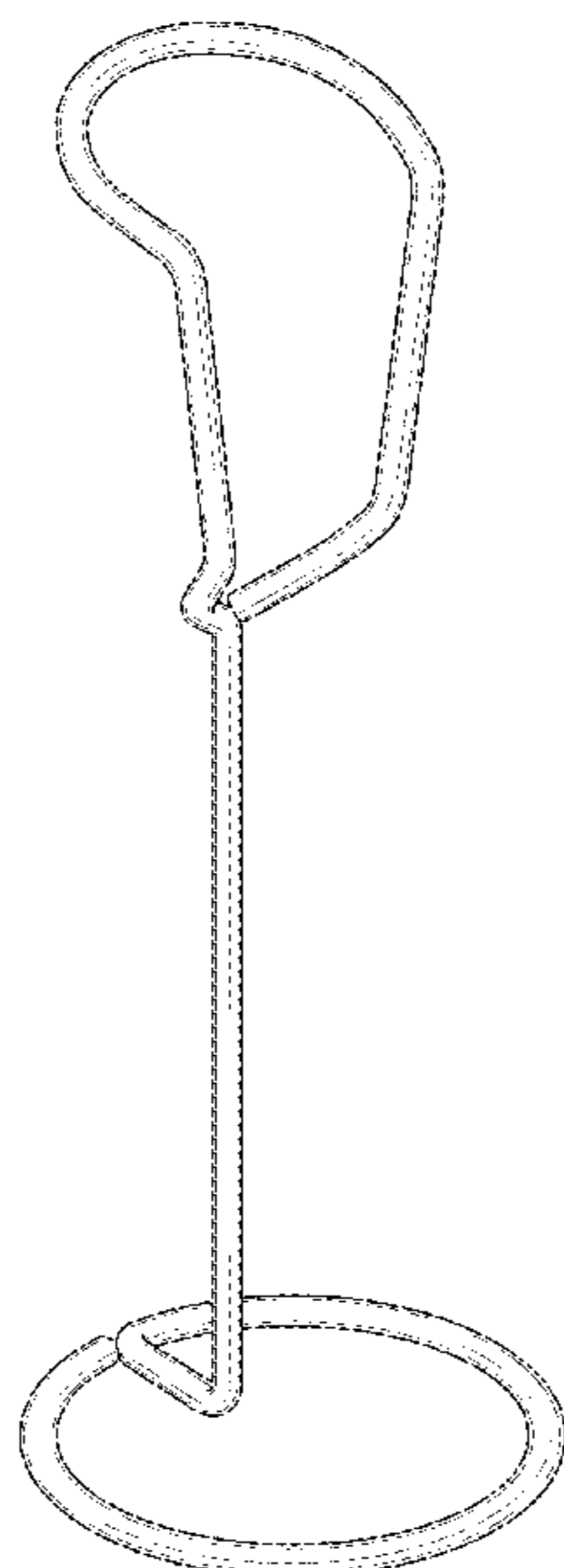
(57) **CLAIM**

The ornamental design for a milk frother stand, as shown
and described.

DESCRIPTION

FIG. 1 is a top perspective view of a milk frother stand
showing our new design.
FIG. 2 is a bottom perspective view thereof.
FIG. 3 is a front view thereof.
FIG. 4 is a right side view thereof.
FIG. 5 is a rear view thereof.
FIG. 6 is a left side view thereof.
FIG. 7 is a top view thereof.
FIG. 8 is a bottom view thereof; and,
FIG. 9 is another top perspective view thereof with a milk
frother shown in broken lines.
The broken lines in FIG. 9 are for the purpose of illustrating
environment and form no part of the claimed design.

1 Claim, 9 Drawing Sheets



(56)

References Cited

U.S. PATENT DOCUMENTS

2012/0318936 A1 * 12/2012 Lutz E04H 13/001
248/121

* cited by examiner

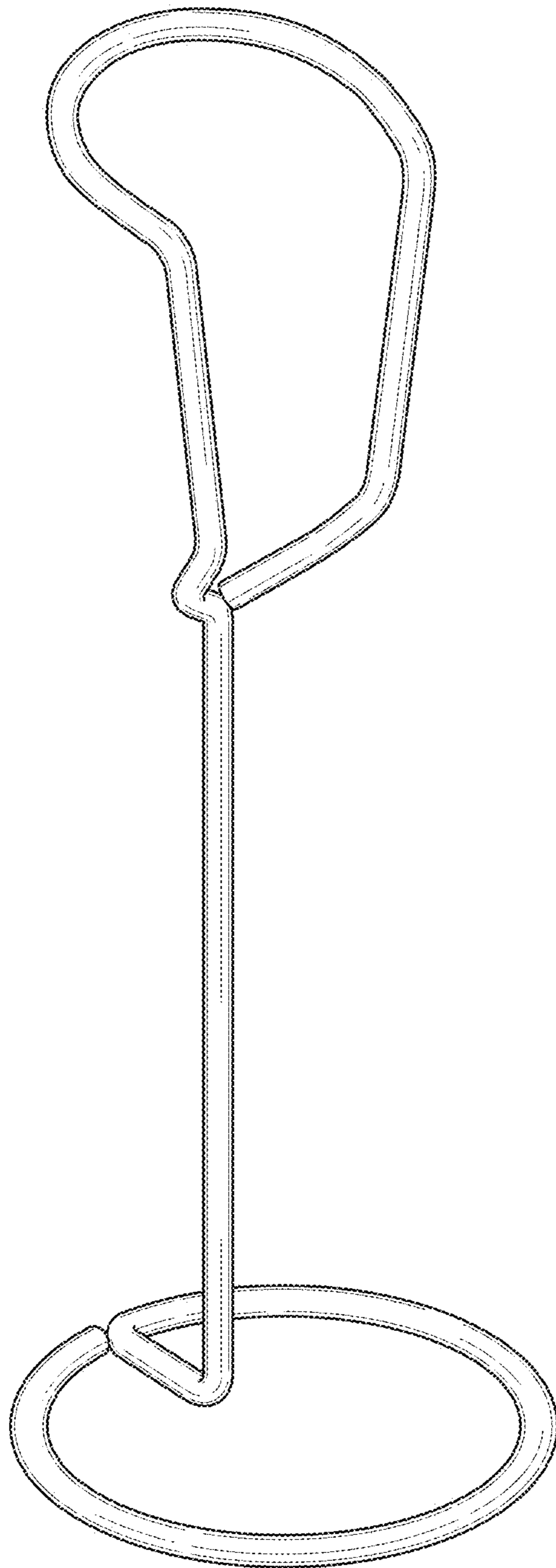


FIG. 1

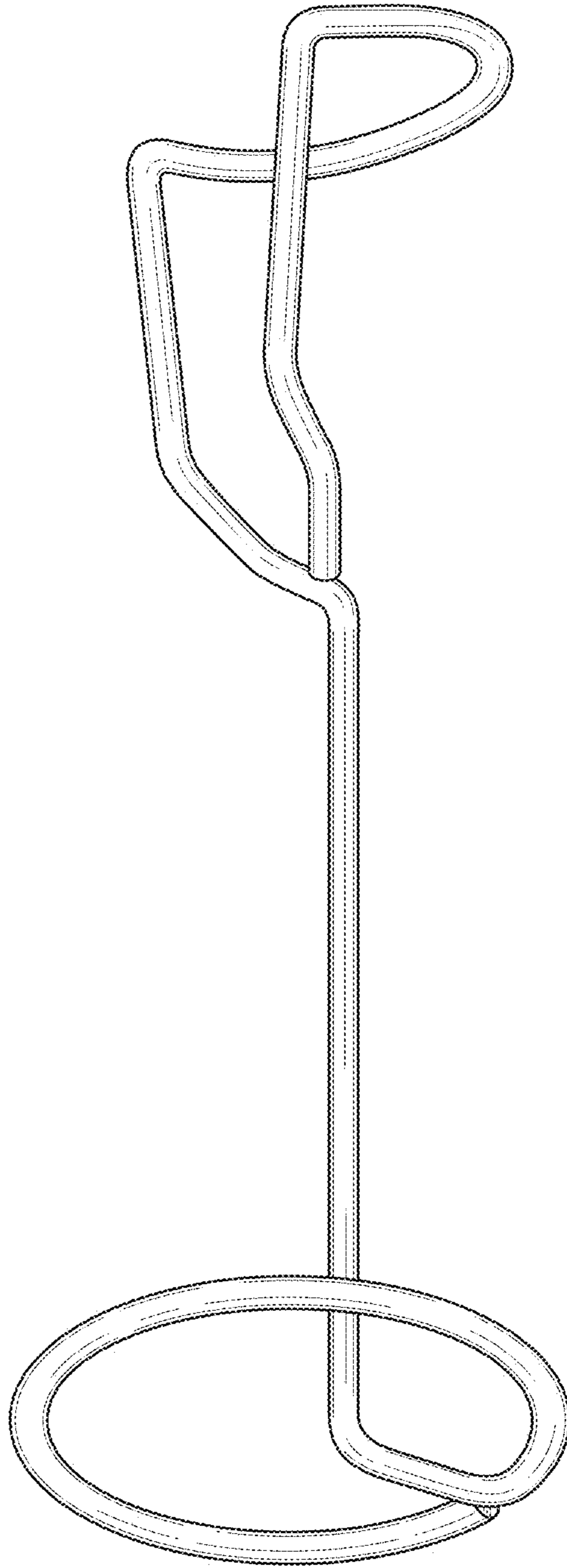


FIG. 2

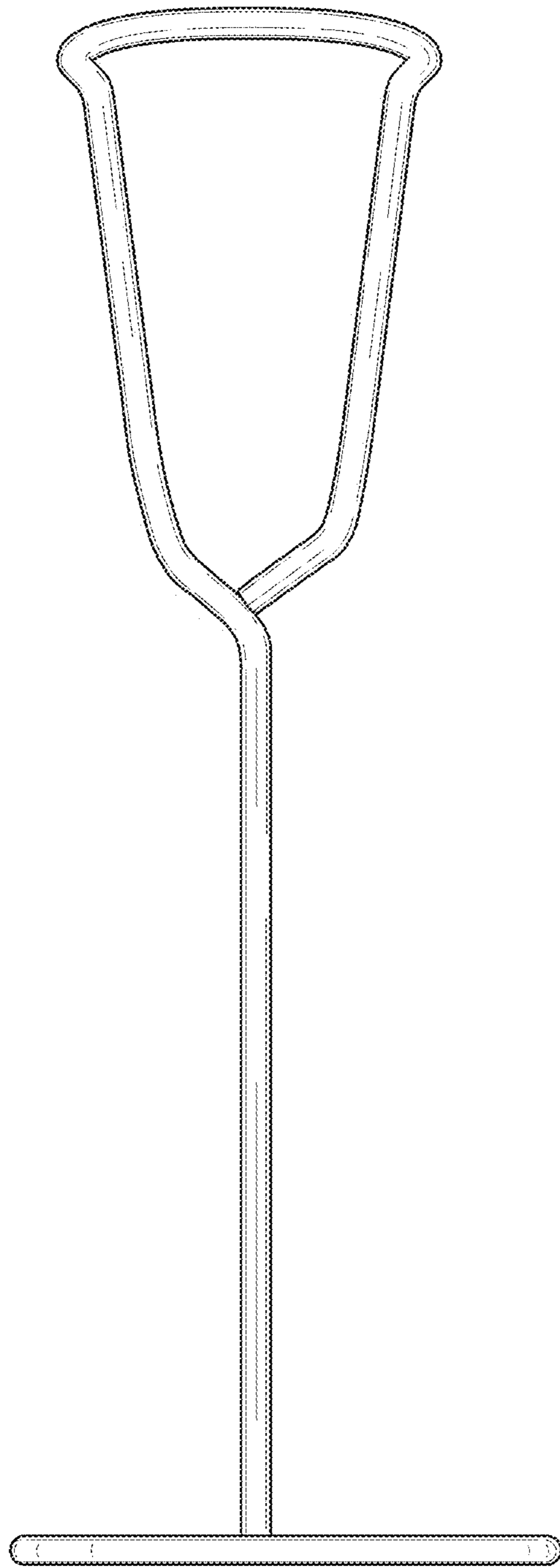


FIG. 3

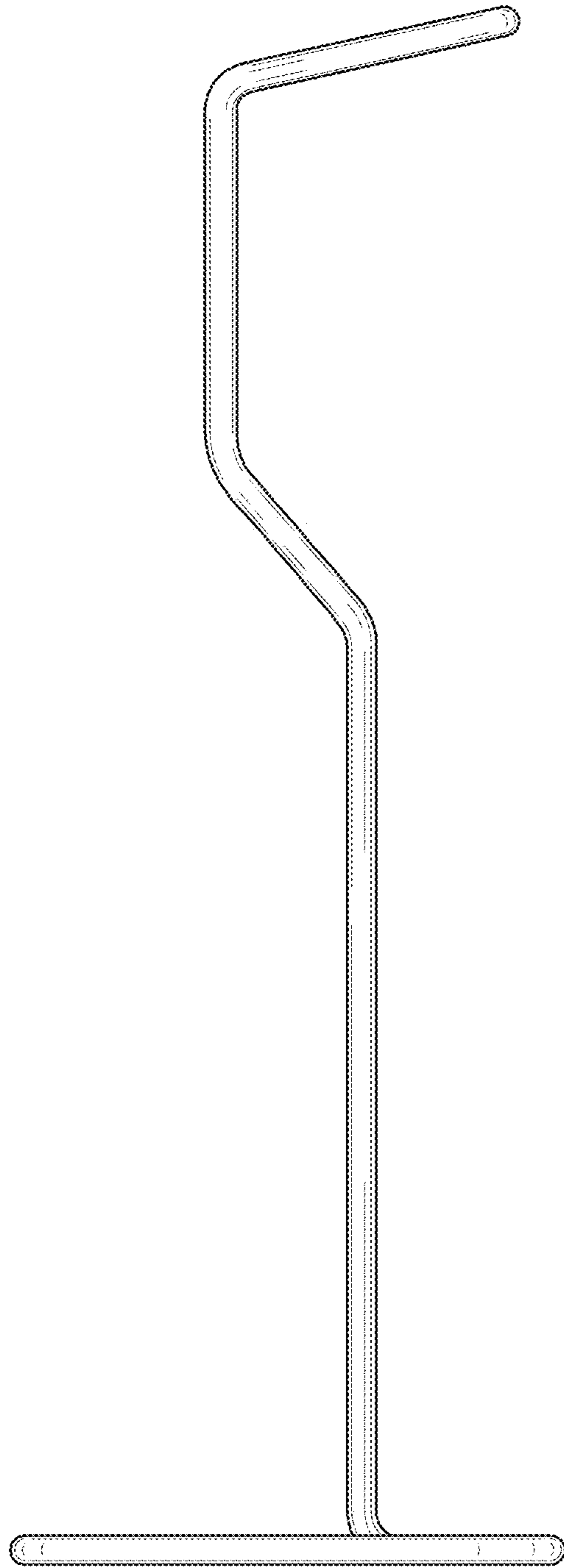


FIG. 4

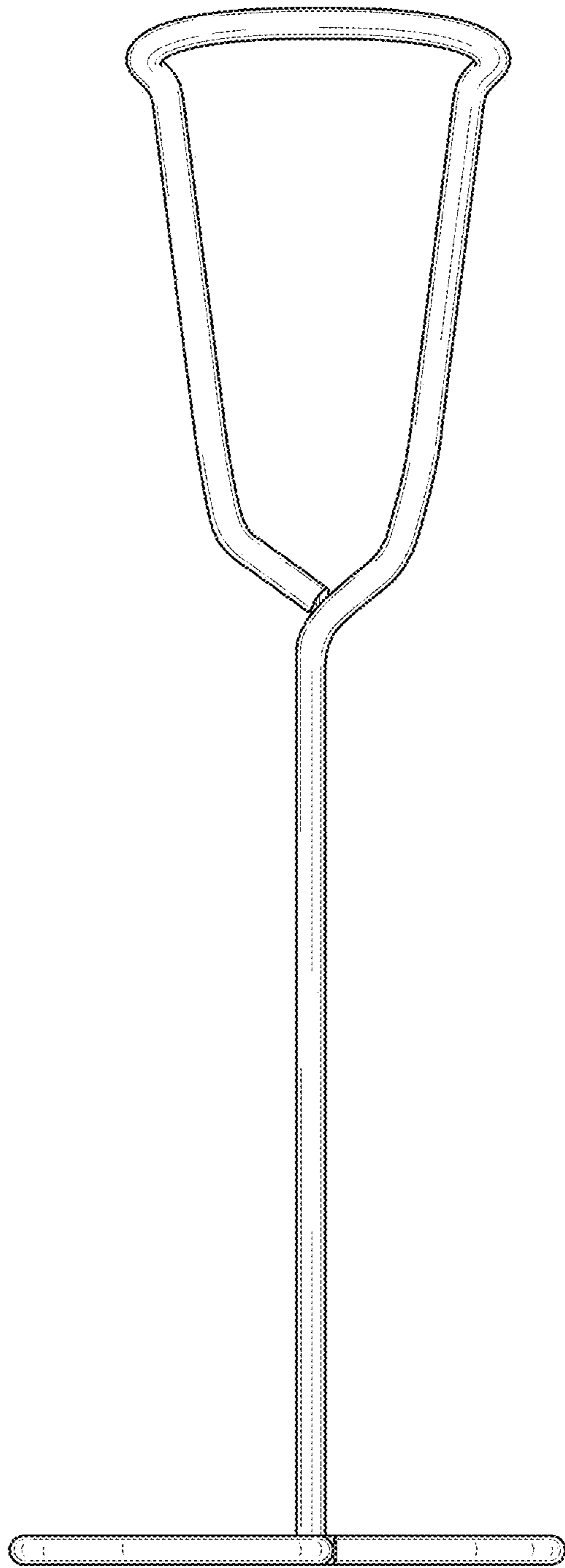


FIG. 5

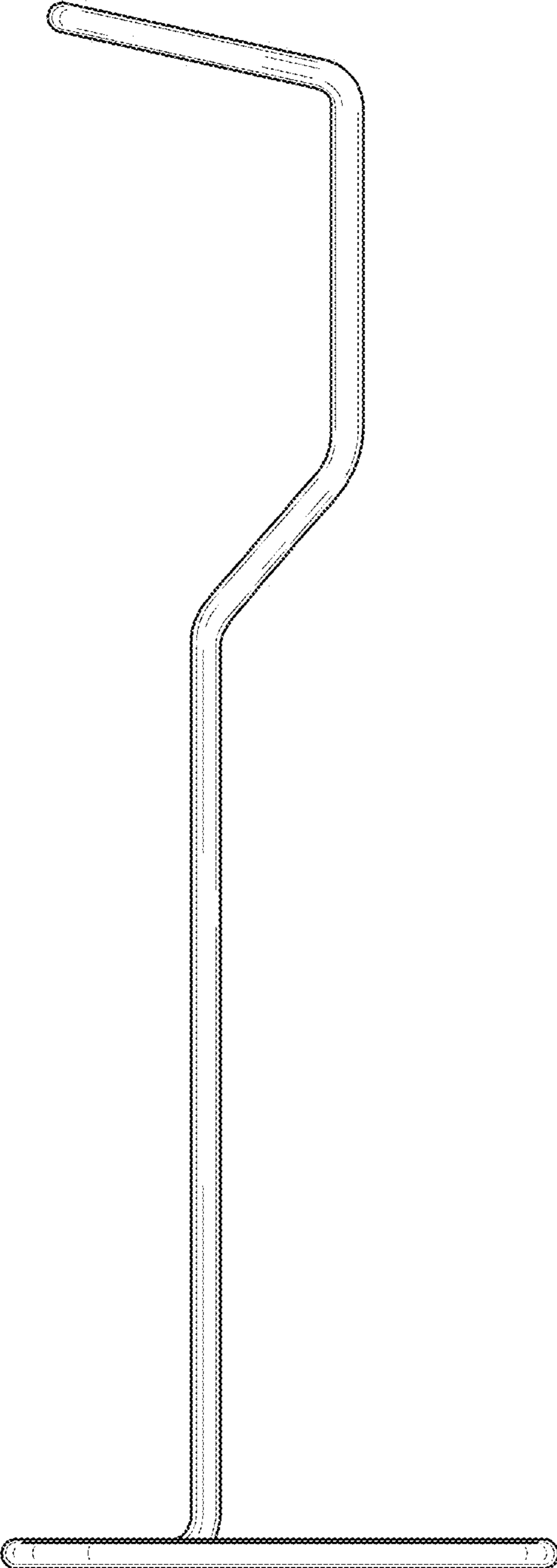


FIG. 6

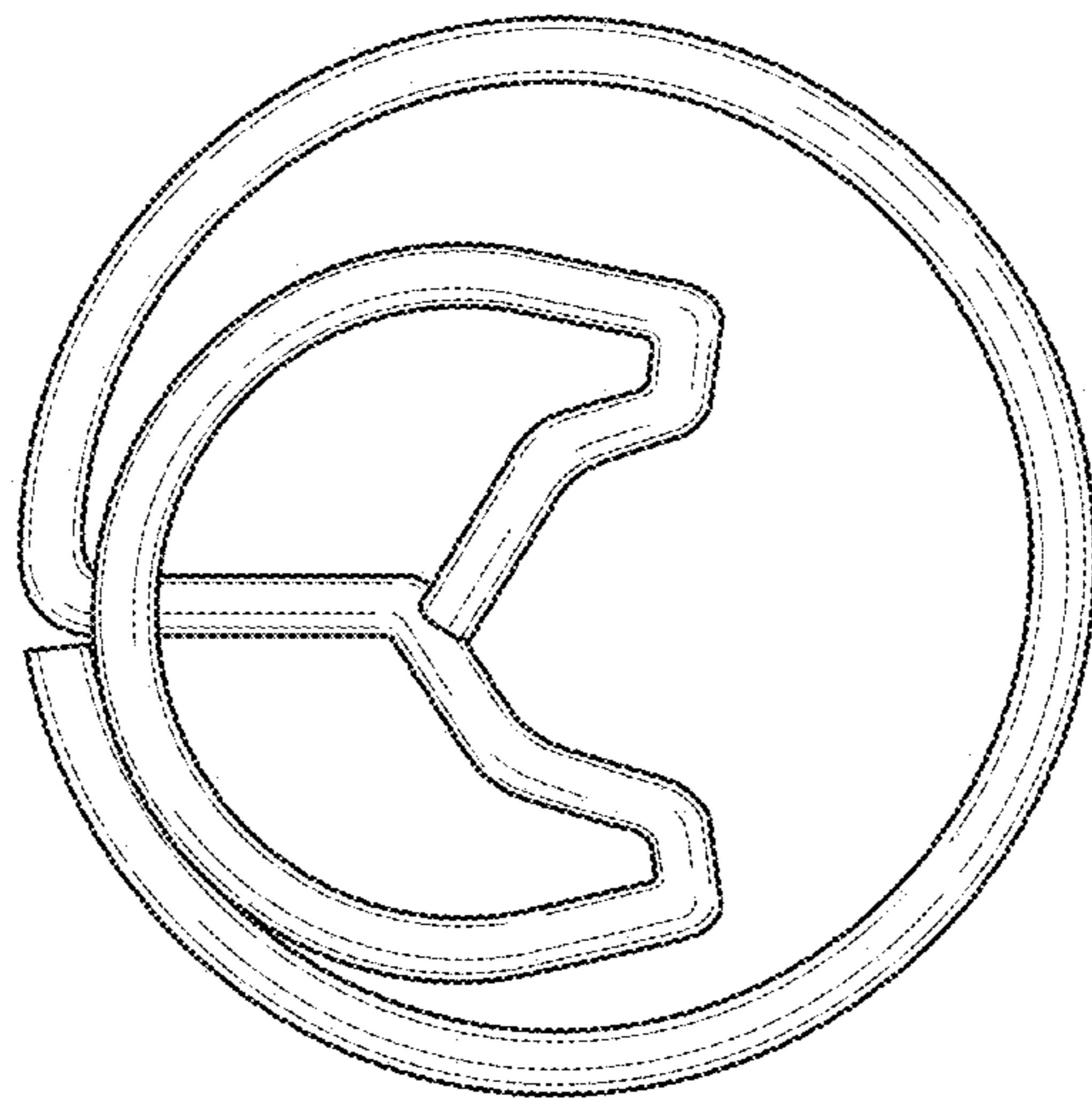


FIG. 7

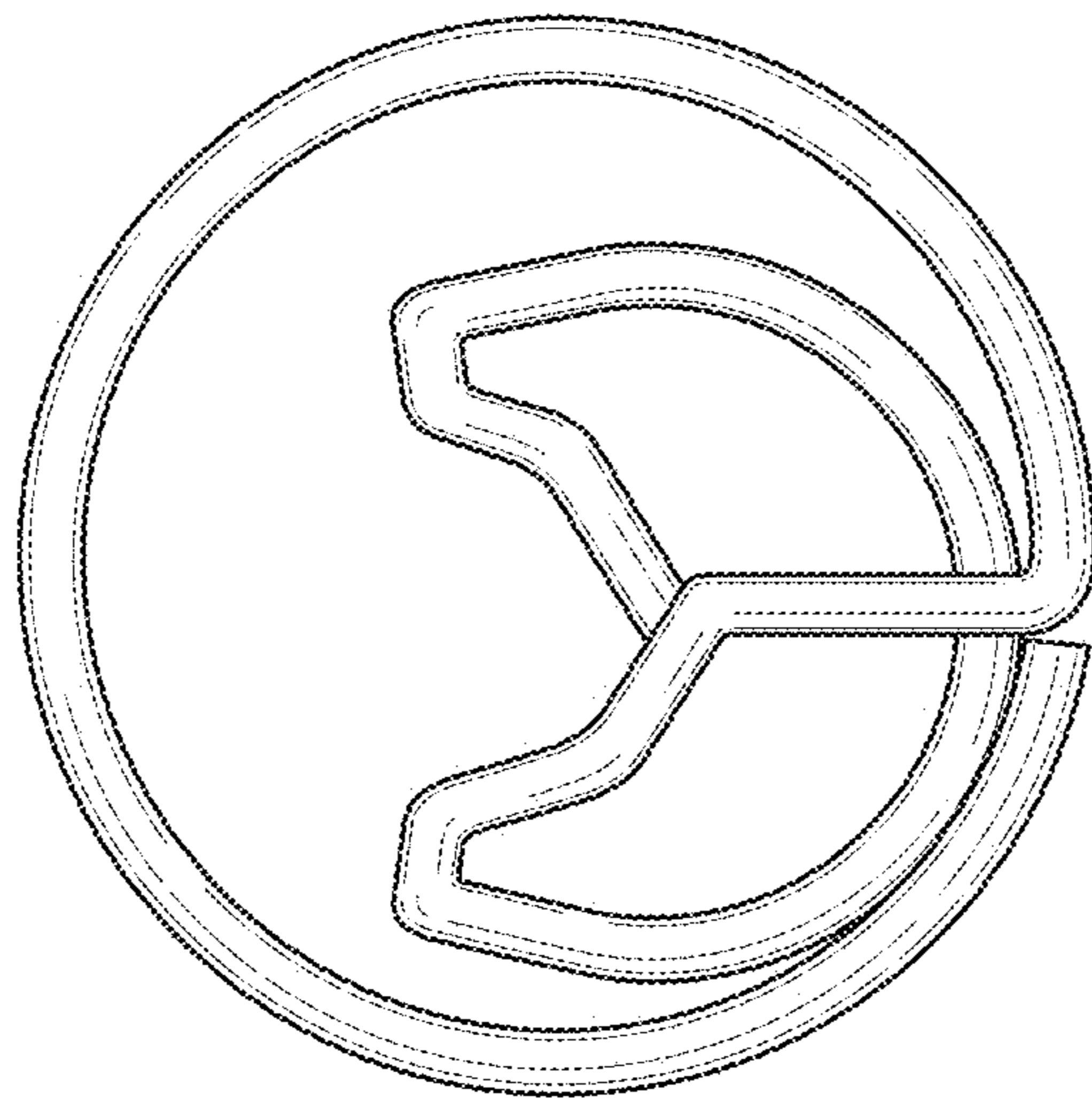


FIG. 8

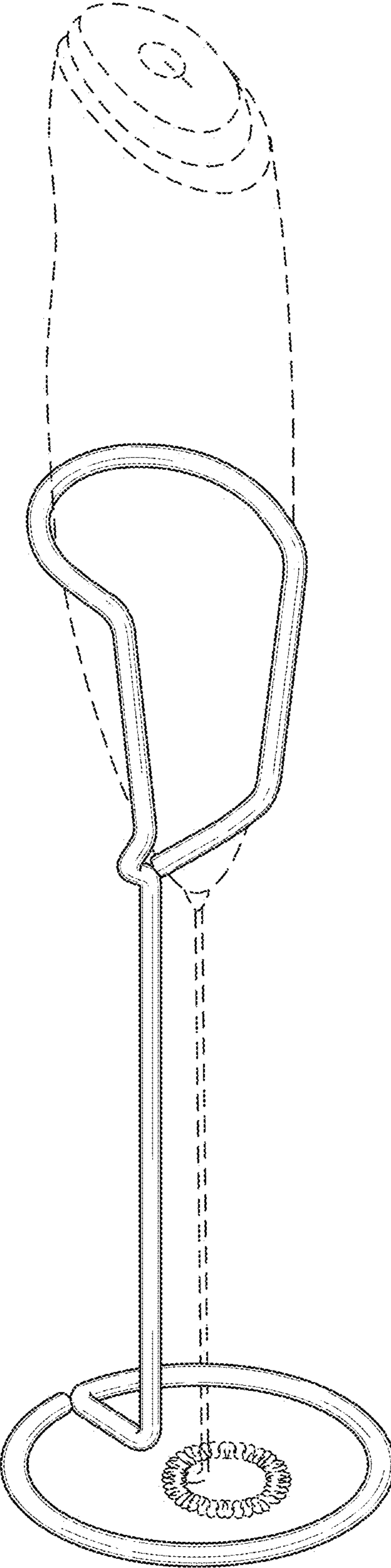


FIG. 9