



US00D968156S

(12) **United States Design Patent**
Zhang

(10) **Patent No.:** **US D968,156 S**
(45) **Date of Patent:** **** Nov. 1, 2022**

(54) **STEAM AIR FRYER**

(56) **References Cited**

(71) Applicant: **NINGBO CARELINE ELECTRIC APPLIANCE CO., LTD.**, Zhejiang (CN)

(72) Inventor: **Yichi Zhang**, Zhejiang (CN)

(73) Assignee: **NINGBO CARELINE ELECTRIC APPLIANCE CO., LTD.**, Zhejiang (CN)

(**) Term: **15 Years**

(21) Appl. No.: **29/751,696**

(22) Filed: **Sep. 23, 2020**

(51) **LOC (13) Cl.** **07-02**

(52) **U.S. Cl.**

USPC **D7/354**

(58) **Field of Classification Search**

USPC D7/339, 334, 323, 337, 340, 341, 346, D7/350.3, 351, 352, 354, 355, 356, 357, D7/358, 359, 360, 361, 362, 363, 364, D7/365, 366, 367, 402, 403, 406, 407, D7/601, 348, 368, 373, 309, 350.1, 350.4; D21/524, 525

CPC A21B 1/24; A21B 1/52; A21B 2/00; A21B 3/04; A47J 27/08; A47J 27/09; A47J 27/092; A47J 37/00; A47J 37/0623; A47J 37/0641; A47J 37/08; A47J 37/12; A47J 37/1209; A47J 37/1257; A47J 37/129; A47J 37/1295; A47J 39/003; A47J 39/006; A47J 41/0061; H05B 1/0263; H05B 2206/042; H05B 6/12; H05B 6/64; H05B 6/6402; H05B 6/6426; H05B 6/647; H05B 6/6473

See application file for complete search history.

U.S. PATENT DOCUMENTS

D525,478 S * 7/2006 Averty A47J 37/0664 D7/354
D692,718 S * 11/2013 Verbrugge A47J 37/0641 D7/354
D715,088 S * 10/2014 Kim A47J 37/1266 D7/354
D882,329 S * 4/2020 Varjabedian D7/354

(Continued)

FOREIGN PATENT DOCUMENTS

CN 304586901 * 4/2018
CN 305129187 * 4/2019
CN 306016883 * 8/2020

OTHER PUBLICATIONS

Tefal Air Fryer, posted at Amazon.co.uk. on May 20, 2018, [site visited Feb. 10, 2022]. Available from internet, URL: <https://www.amazon.co.uk/Tefal-EY401840-Fryer-Precision-Portions/dp/B07D1LTRGW/> (Year: 2018).*

(Continued)

Primary Examiner — Andrew Kerr

Assistant Examiner — Chariton Alexakis

(74) *Attorney, Agent, or Firm* — Lando & Anastasi, LLP

(57) **CLAIM**

The ornamental design for a steam air fryer, as shown and described.

DESCRIPTION

FIG. 1 is a front, right and top side perspective view of a steam air fryer showing my new design;
FIG. 2 is a front elevational view thereof;
FIG. 3 is a rear elevational view thereof;
FIG. 4 is a left side elevational view thereof;

(Continued)

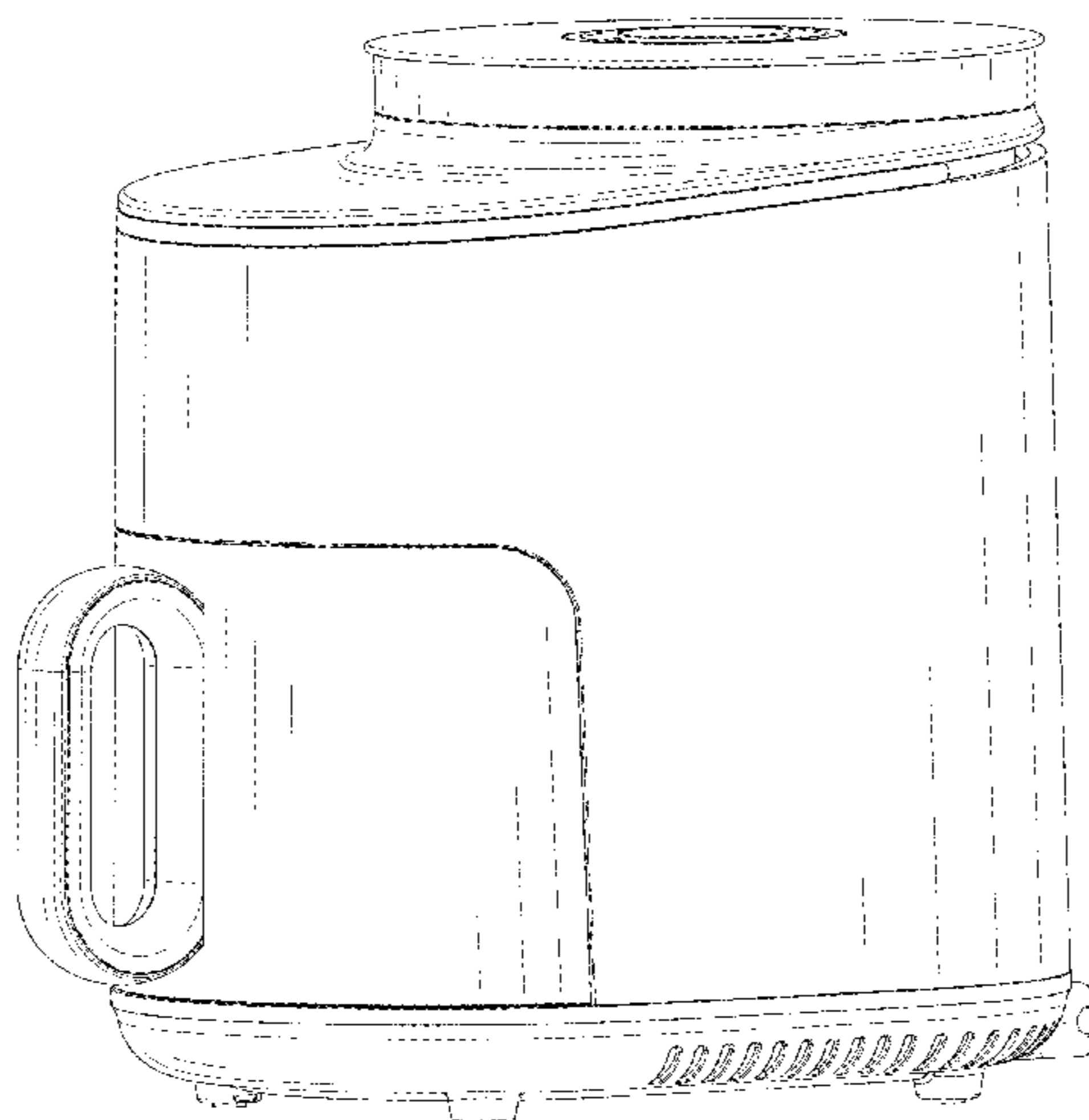


FIG. 5 is a right side elevational view thereof; FIG. 6 is a top plan view thereof; and, FIG. 7 is a bottom plan view thereof. The dashed broken lines shown in the drawings illustrate portions of the steam air fryer that form no part of the claimed design.

2016/0192808	A1*	7/2016	Van Der Burg	A47J 37/0641 99/443 C
2017/0231430	A1*	8/2017	Moon	A47J 37/1266 99/331
2017/0245686	A1*	8/2017	Man	A47J 37/0641
2021/0235926	A1*	8/2021	Itzkowitz	A47J 37/0664

1 Claim, 7 Drawing Sheets

OTHER PUBLICATIONS

(56)

References Cited

U.S. PATENT DOCUMENTS

D907,948	S *	1/2021	Deng	D7/311
D938,219	S *	12/2021	Wu	A47J 37/0641 D7/354
D943,336	S *	2/2022	Tan	D7/354

Ninja Air Fryer, posted at Amazon.com. on Aug. 13, 2018, [site visited Feb. 10, 2022]. Available from internet, URL: <<https://www.amazon.com/Ninja-AF101-Fryer-Black-gray/dp/B07FDJMC9Q/>> (Year: 2018).*

GoWISE USA Electric Air Fryer, posted at Amazon.com. on Nov. 1, 2019, [site visited Feb. 10, 2022]. Available from internet, URL: <<https://www.amazon.com/GoWISE-USA-GW22956-Dehydrator-Touchscreen/dp/B07ZWG619F/>> (Year: 2019).*

* cited by examiner

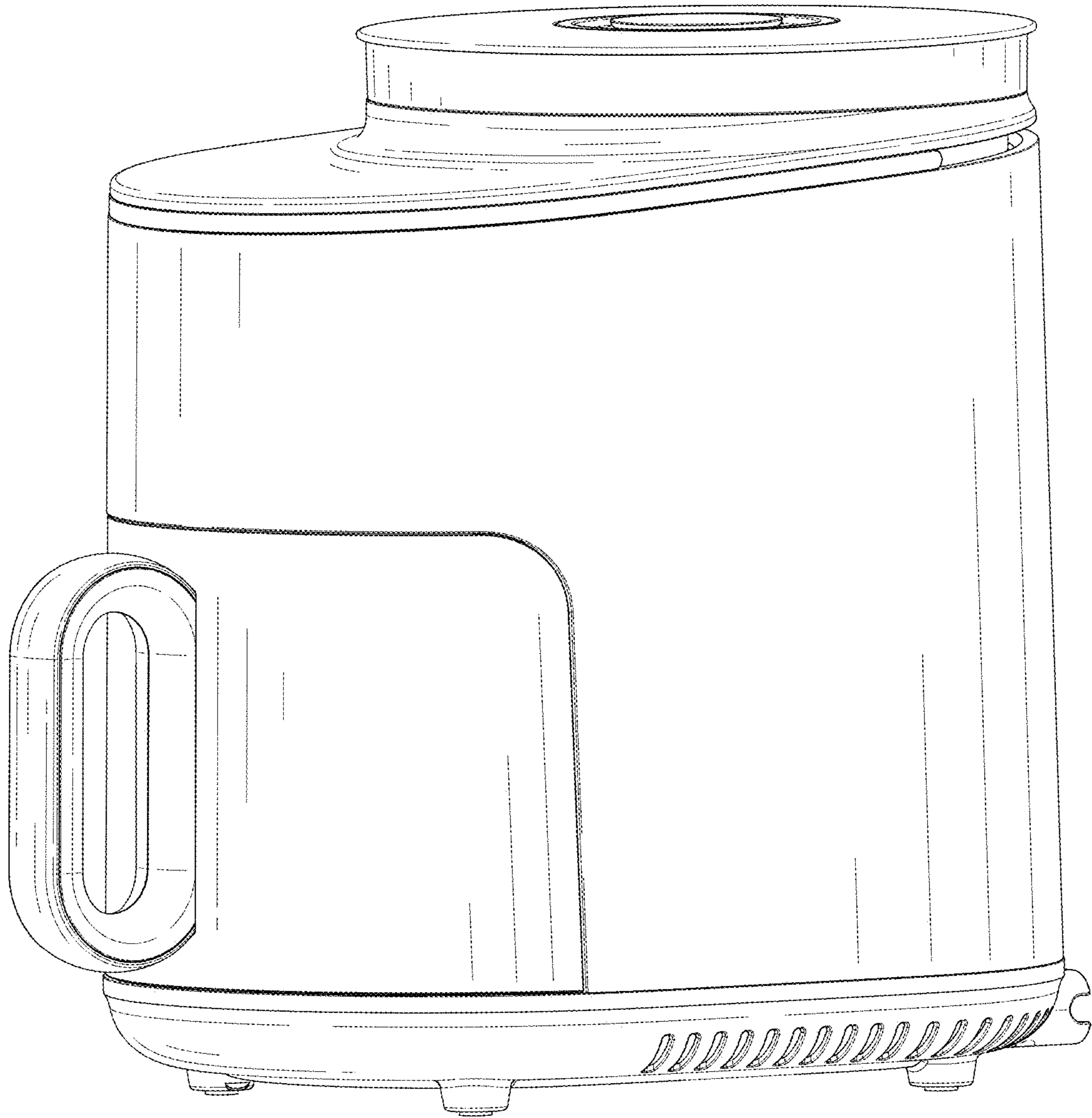


FIG. 1

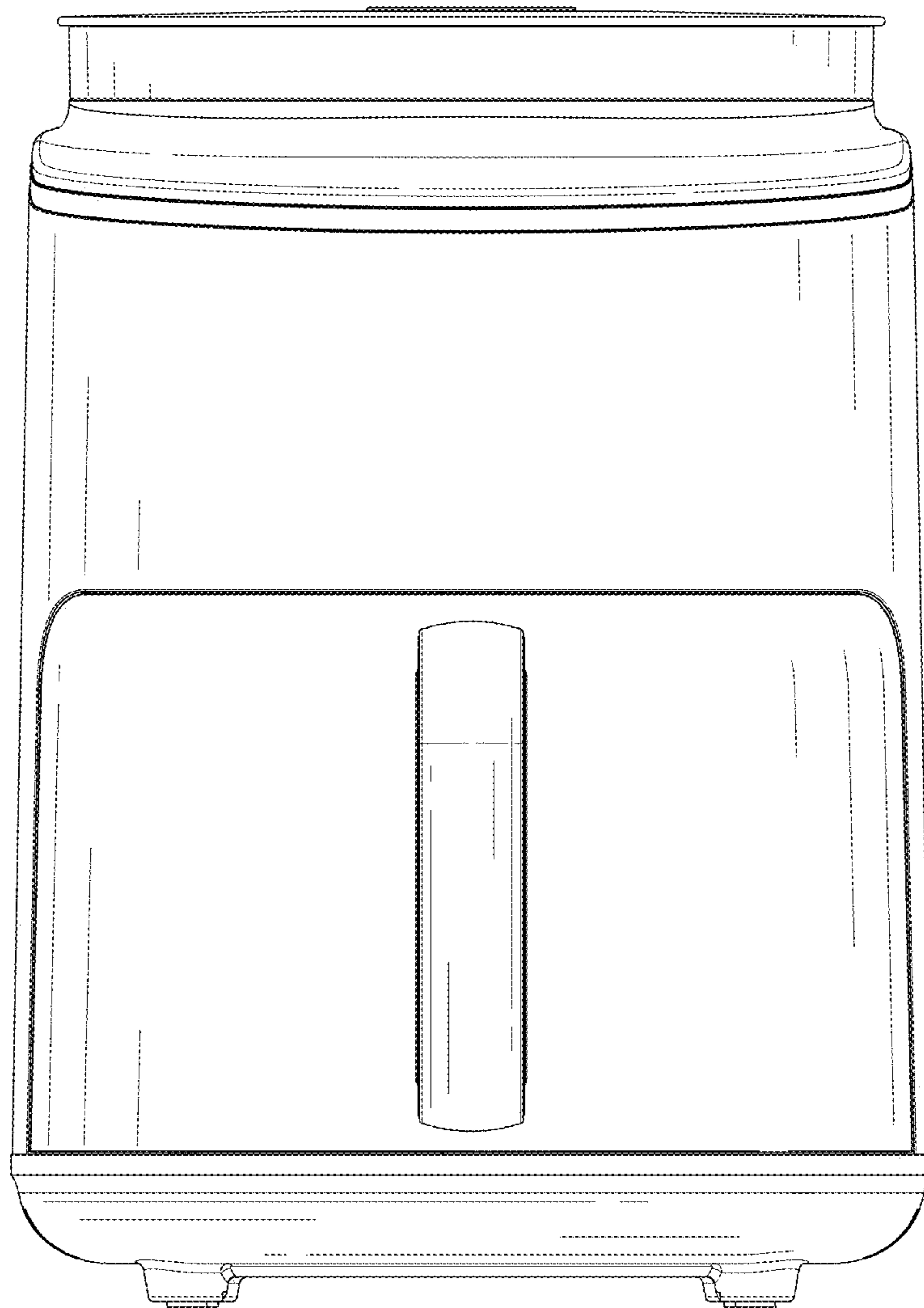


FIG. 2

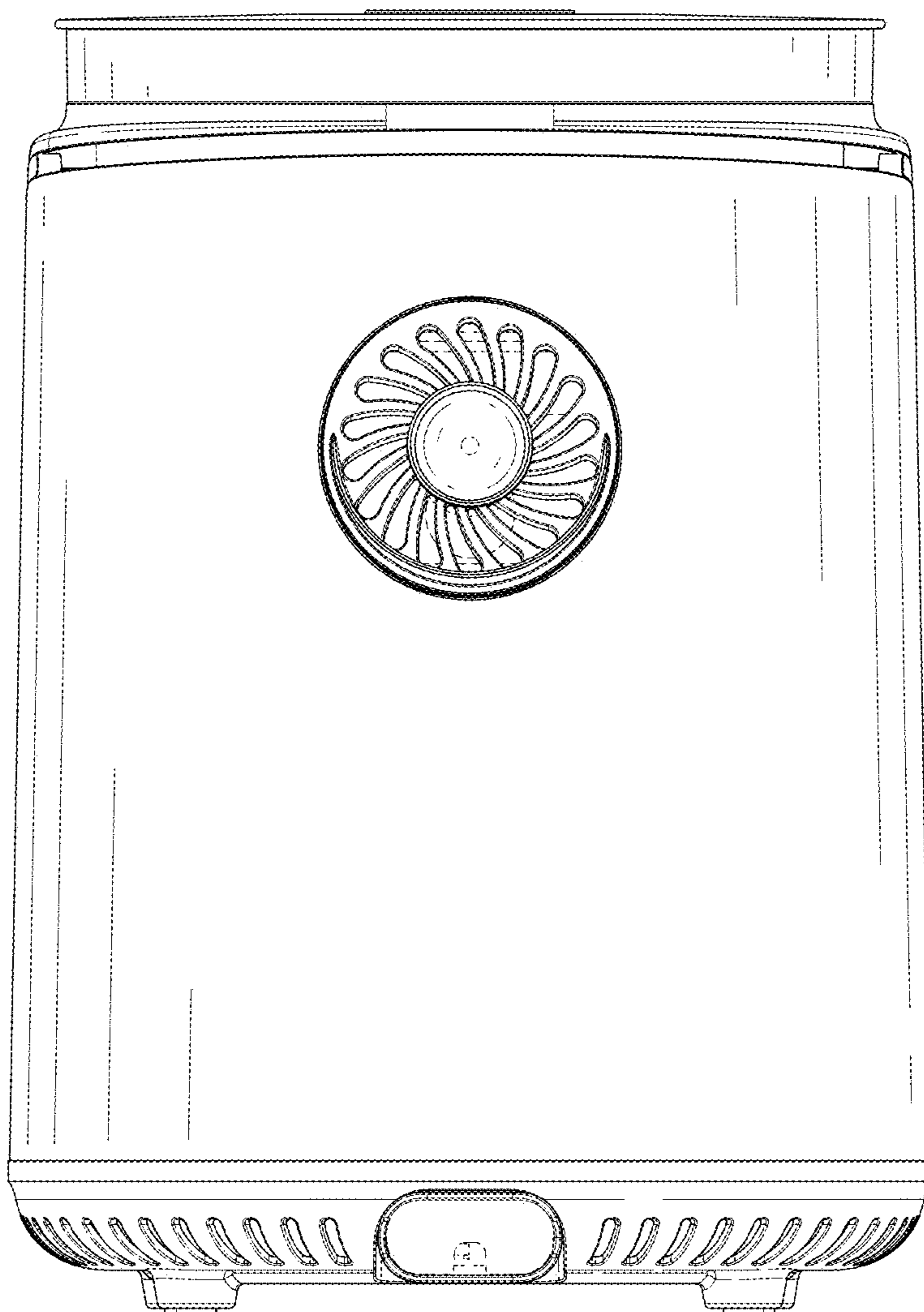


FIG. 3

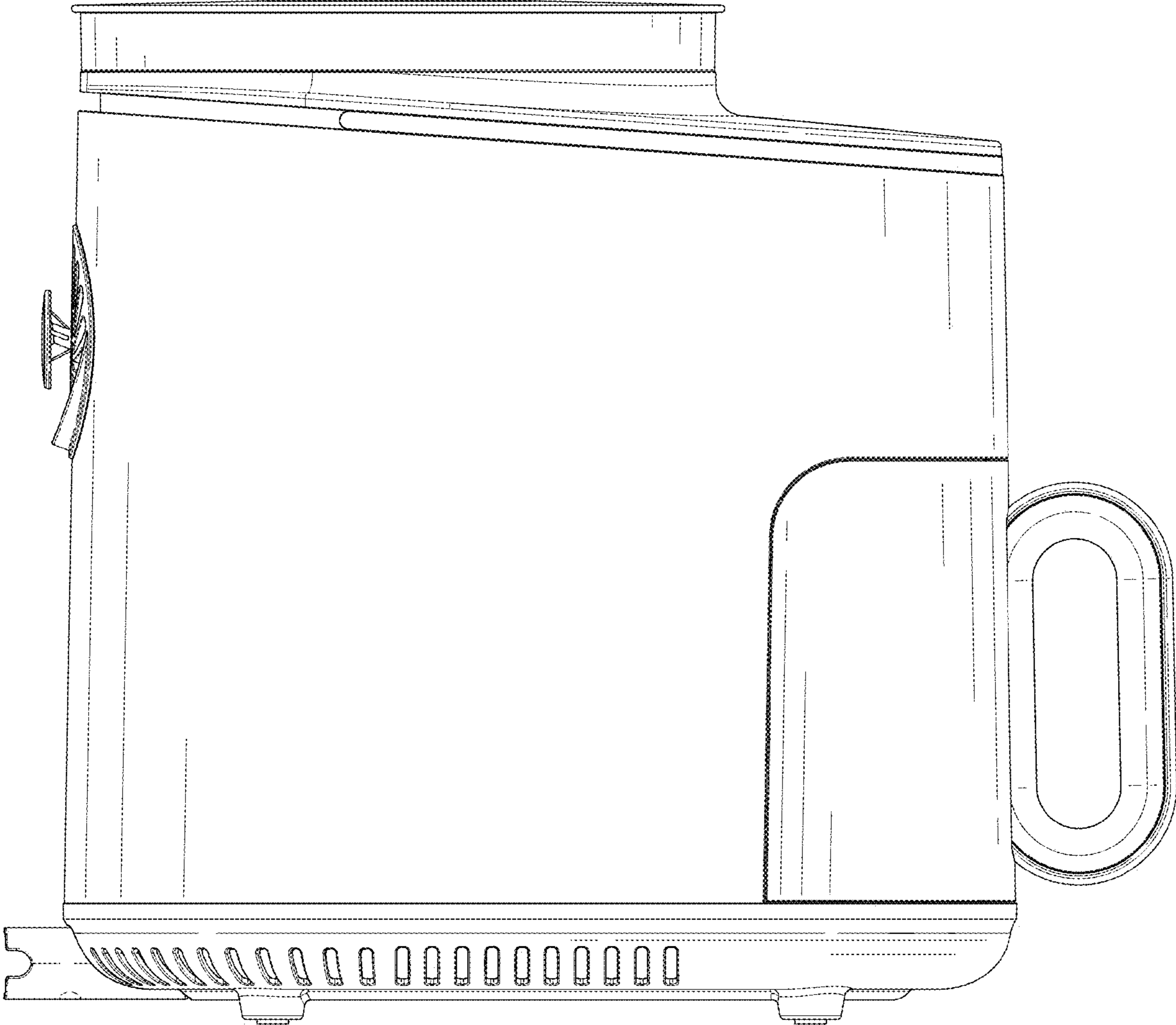


FIG. 4

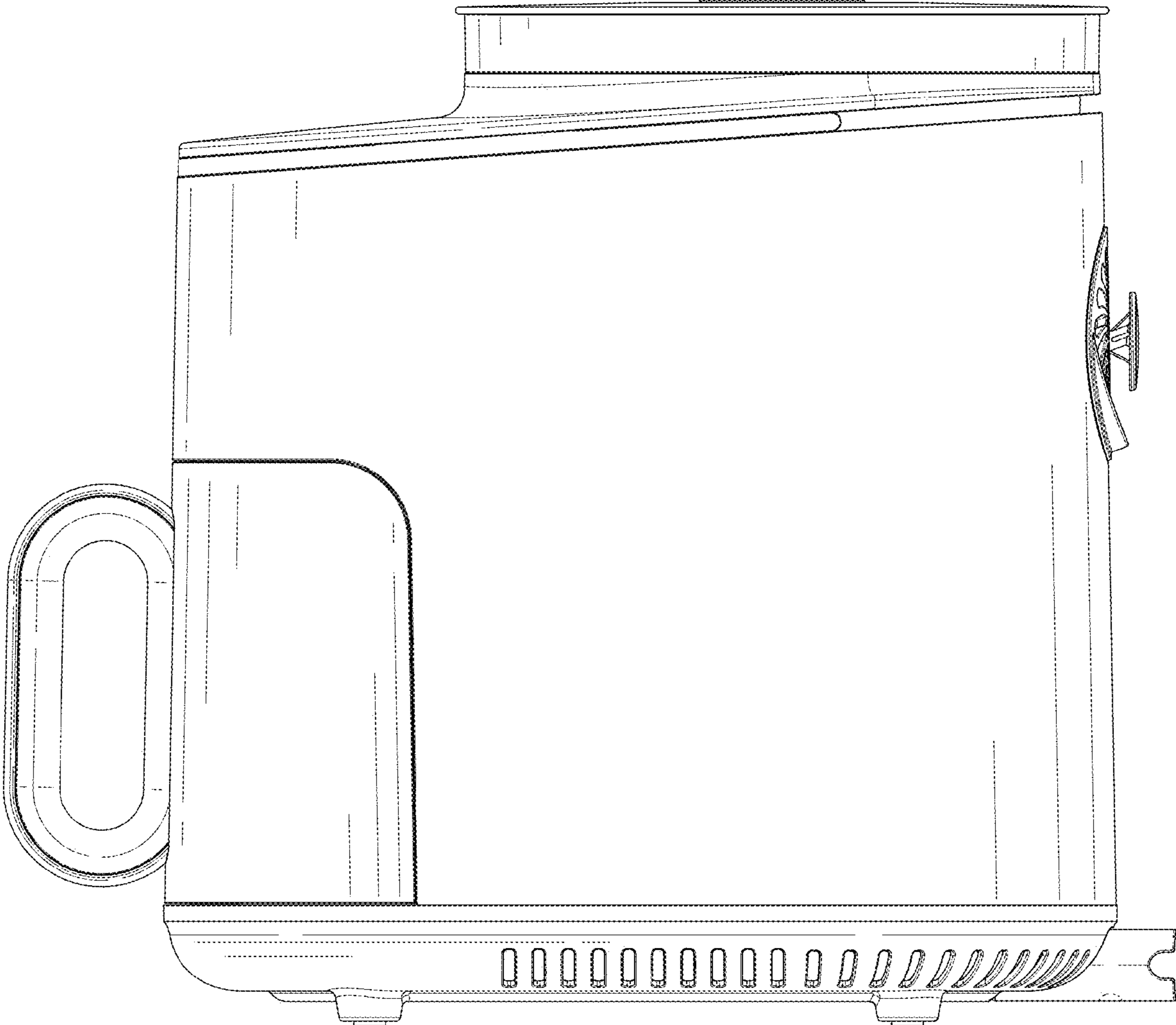


FIG. 5

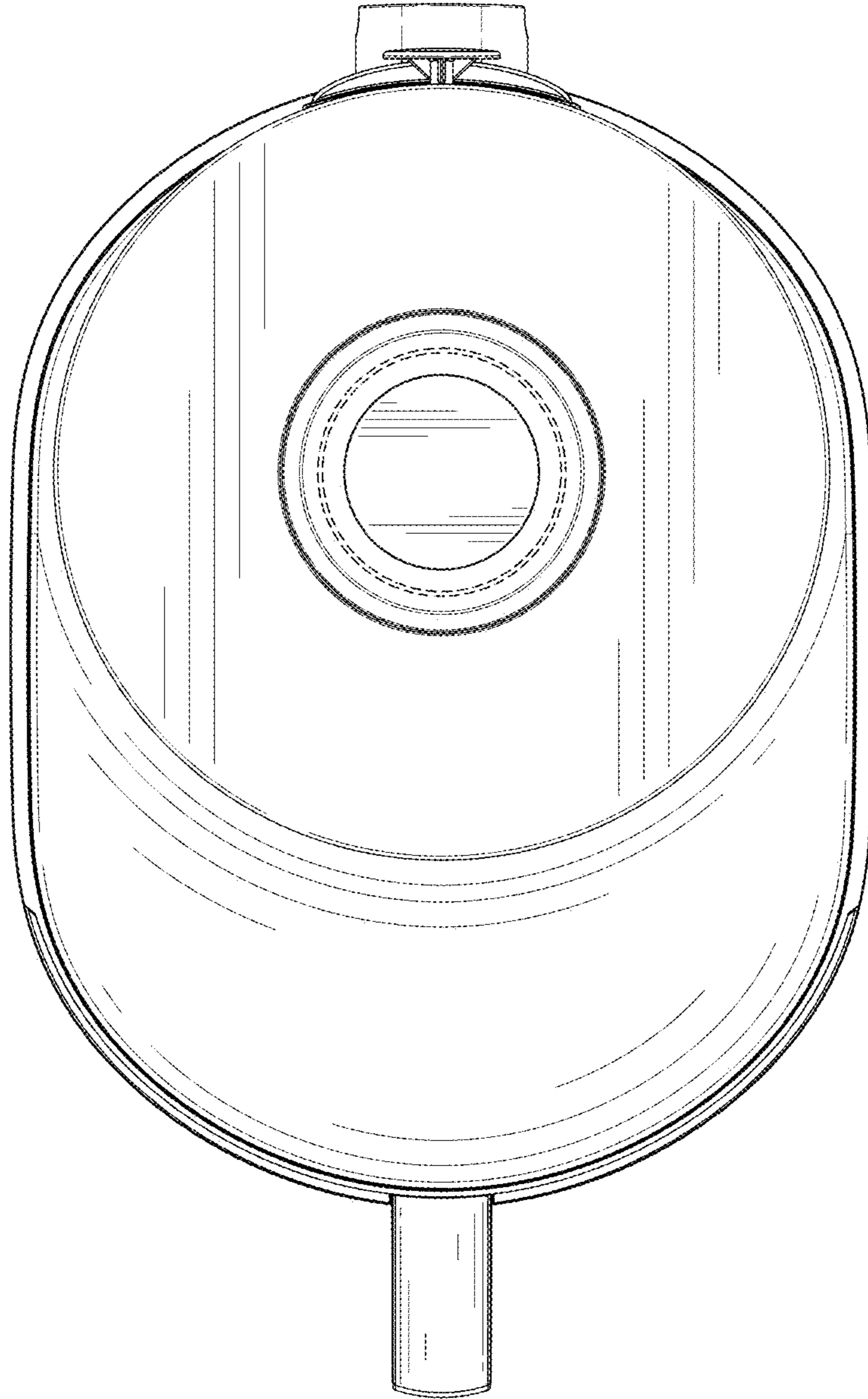


FIG. 6

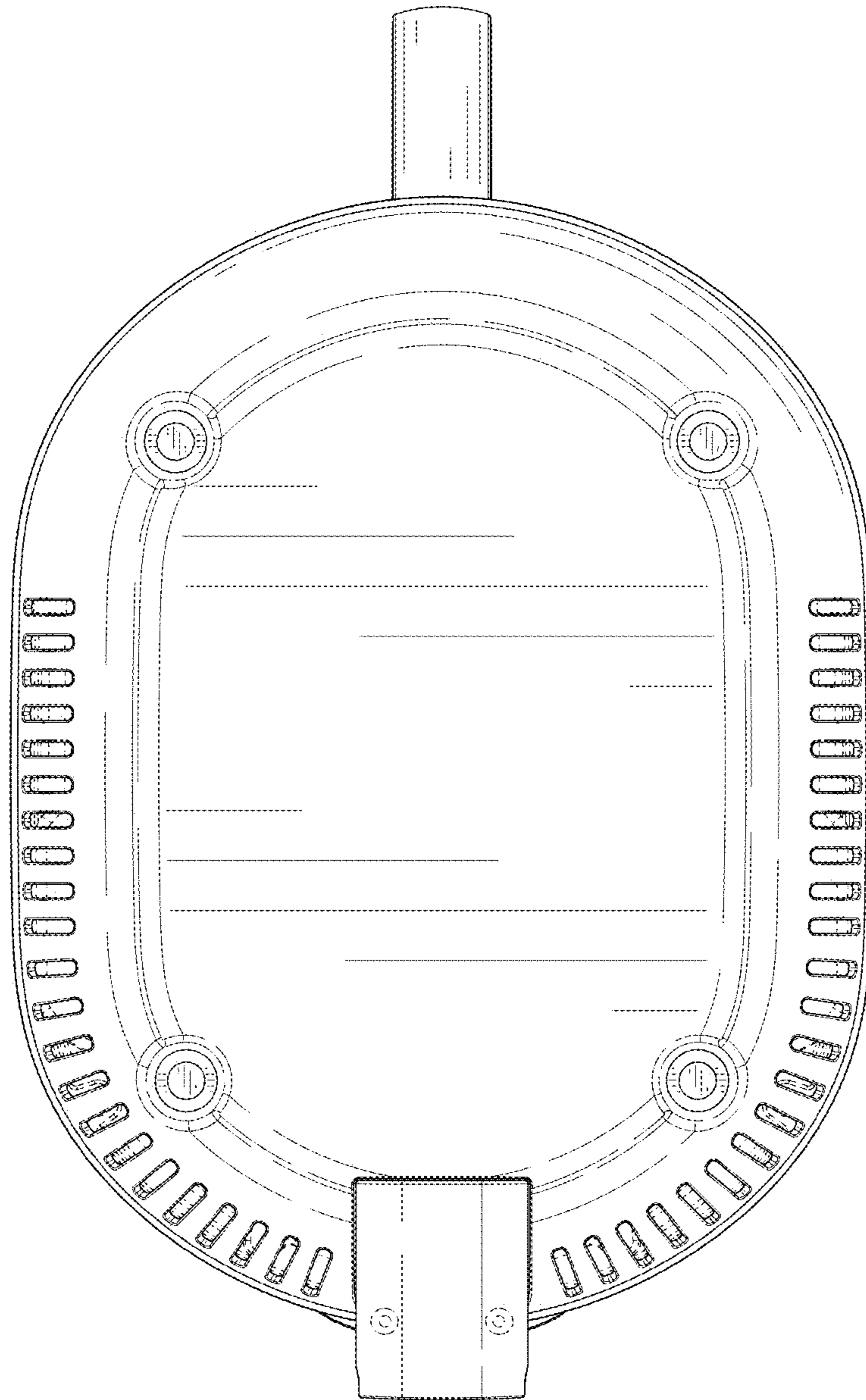


FIG. 7