



US00D968152S

(12) **United States Design Patent**
Jin

(10) **Patent No.:** **US D968,152 S**

(45) **Date of Patent:** **** Nov. 1, 2022**

(54) **BOTTLE WARMER**

(71) Applicant: **Shenzhen DJ Innovation Industry Co., Ltd, Shenzhen (CN)**

(72) Inventor: **Bo Jin, Shenzhen (CN)**

(**) Term: **15 Years**

(21) Appl. No.: **29/768,710**

(22) Filed: **Feb. 1, 2021**

(51) **LOC (13) Cl.** **07-02**

(52) **U.S. Cl.**
USPC **D7/326**

(58) **Field of Classification Search**
USPC D7/305, 323, 326-327, 362, 368, 376,
D7/378, 399, 509, 510, 523, 601, 602,
D7/605, 608; D9/500, 504
CPC A01J 9/08; A23L 3/10; A47J 27/04; A47J
27/004; A47J 36/24; A47J 36/2411; A47J
36/2416; A47J 36/2433; A47J 36/2438;
A47J 39/00; A47J 39/006; A47J 41/00;
A47J 43/046; B65D 81/3205; B65D
81/3222; B65D 81/3876; H05B 3/0004
See application file for complete search history.

(56) **References Cited**

U.S. PATENT DOCUMENTS

D276,785 S * 12/1984 Cleland D7/367
D383,642 S * 9/1997 Feil D7/384

D475,238 S * 6/2003 Feil D7/376
D537,674 S * 3/2007 Davenport D7/378
D611,288 S * 3/2010 Bodum D7/319
D788,521 S * 6/2017 Blaise D7/378
D851,992 S * 6/2019 Cottam D7/412
D906,037 S * 12/2020 Yuan D7/362
2002/0027175 A1 * 3/2002 Capp A47J 43/046
241/199.12

* cited by examiner

Primary Examiner — Ricky Pham

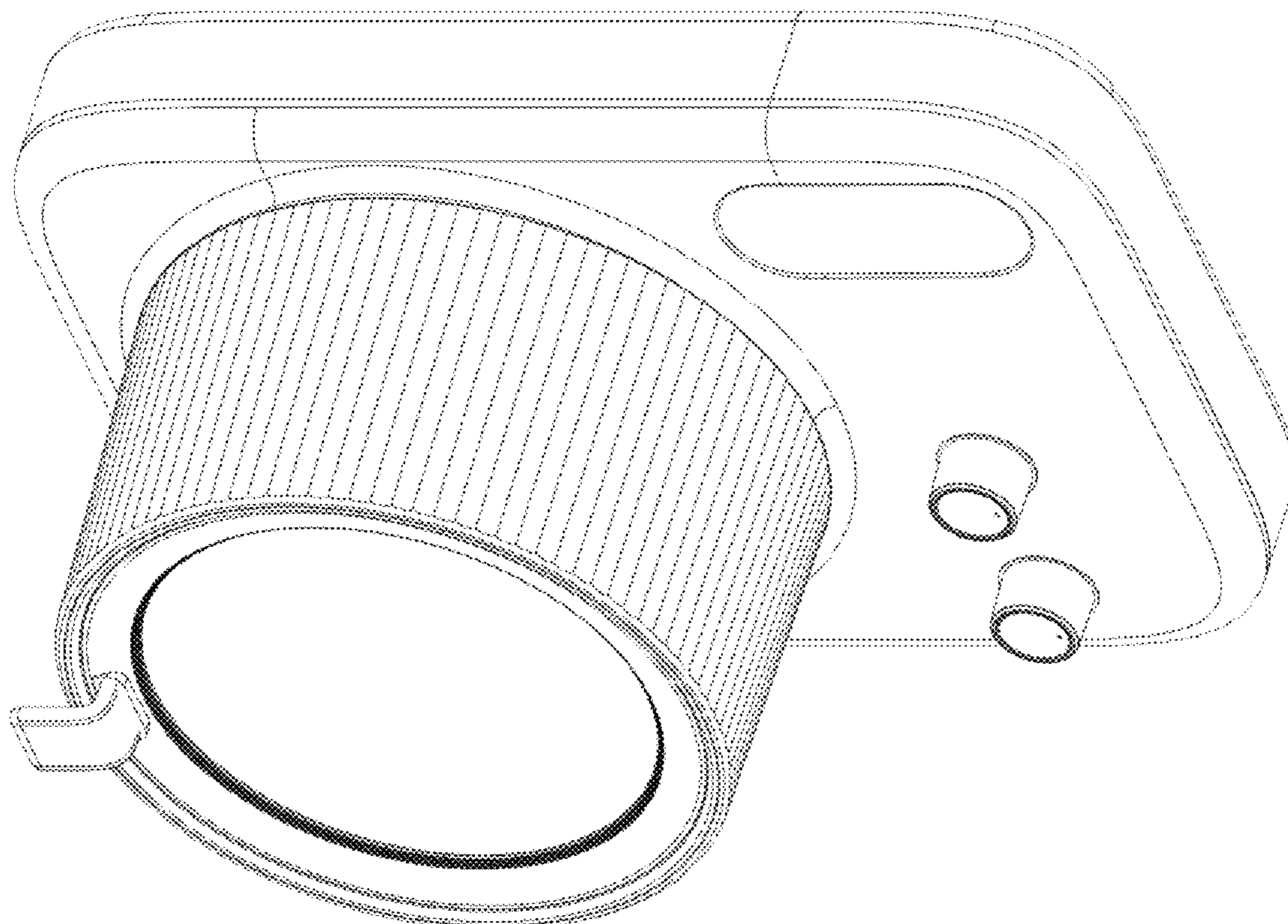
(57) **CLAIM**

The ornamental design for a bottle warmer, as shown and described.

DESCRIPTION

FIG. 1 is a perspective view of a bottle warmer showing my new design;
FIG. 2 is a front view thereof;
FIG. 3 is a back view thereof;
FIG. 4 is a left side view thereof;
FIG. 5 is a right side view thereof;
FIG. 6 is a top view thereof; and,
FIG. 7 is a bottom view thereof.

1 Claim, 7 Drawing Sheets



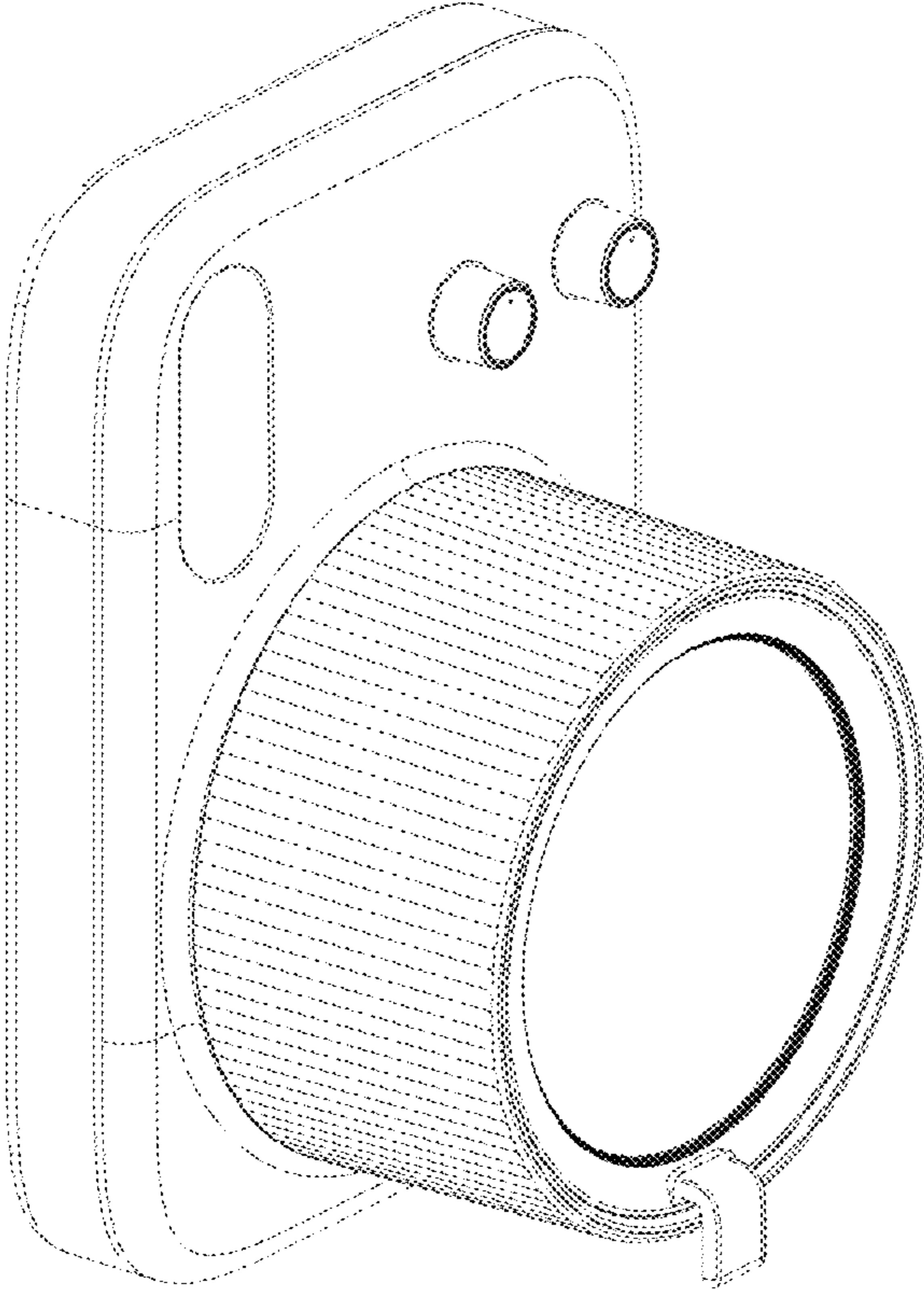


FIG.1

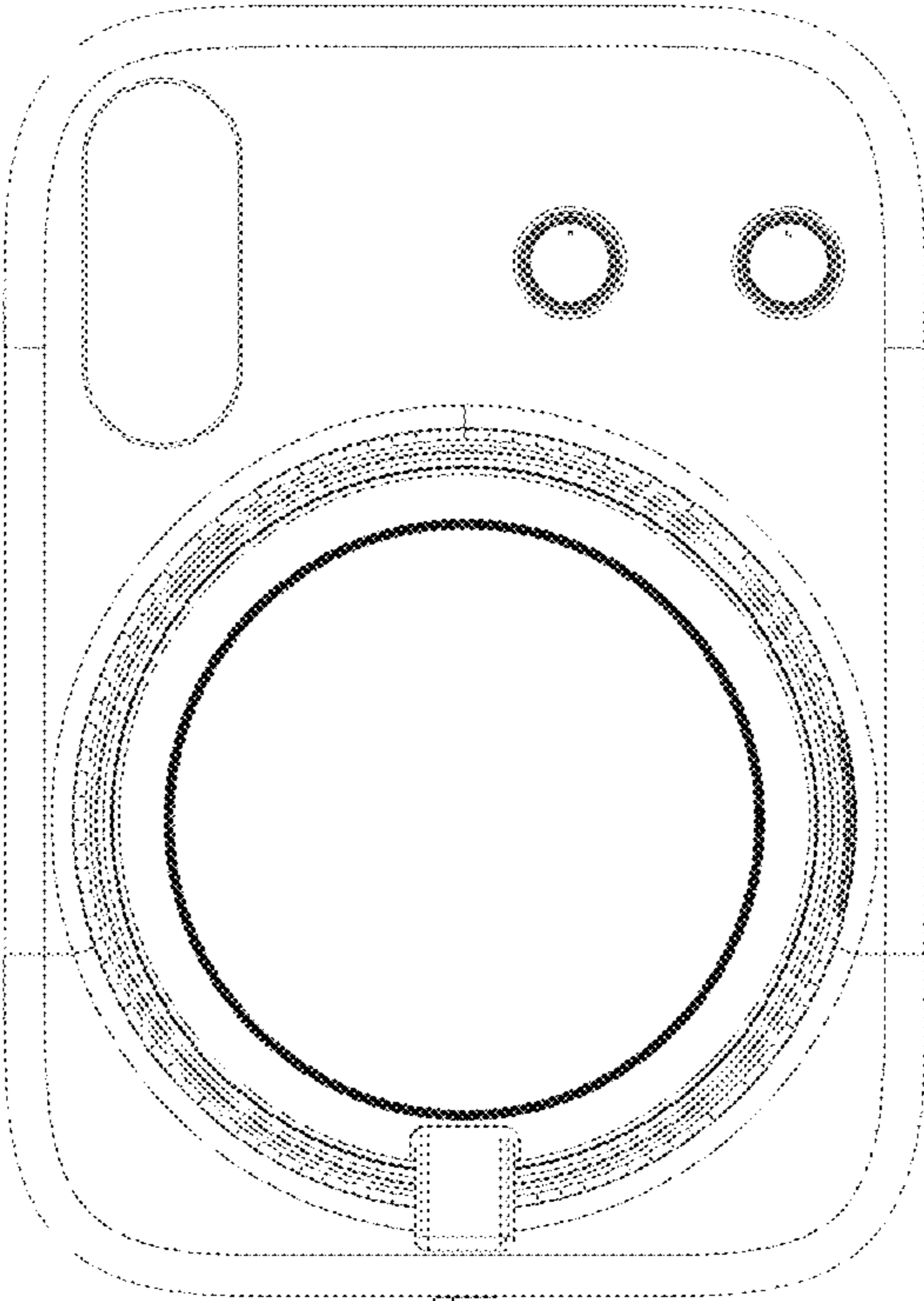


FIG.2

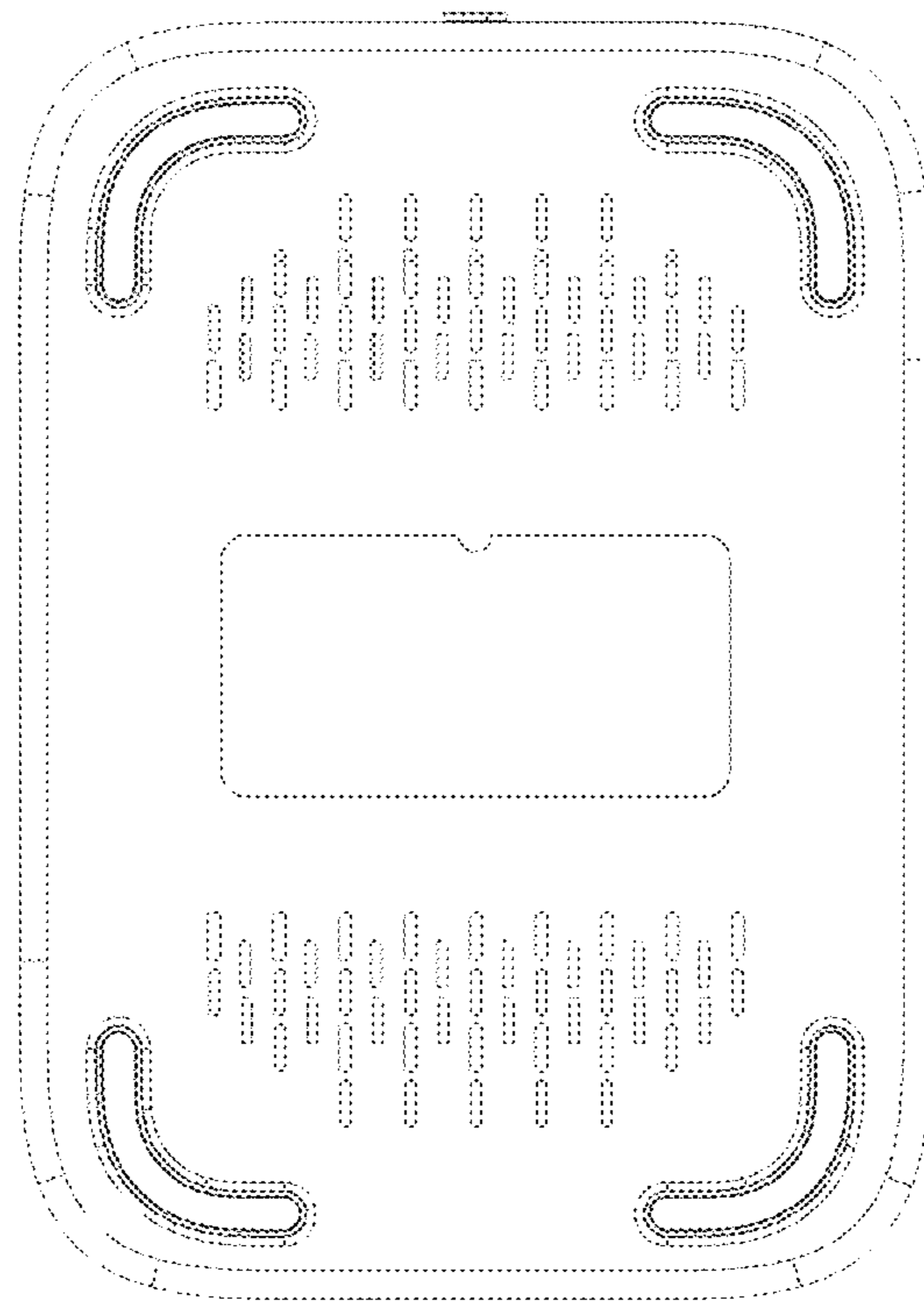


FIG. 3

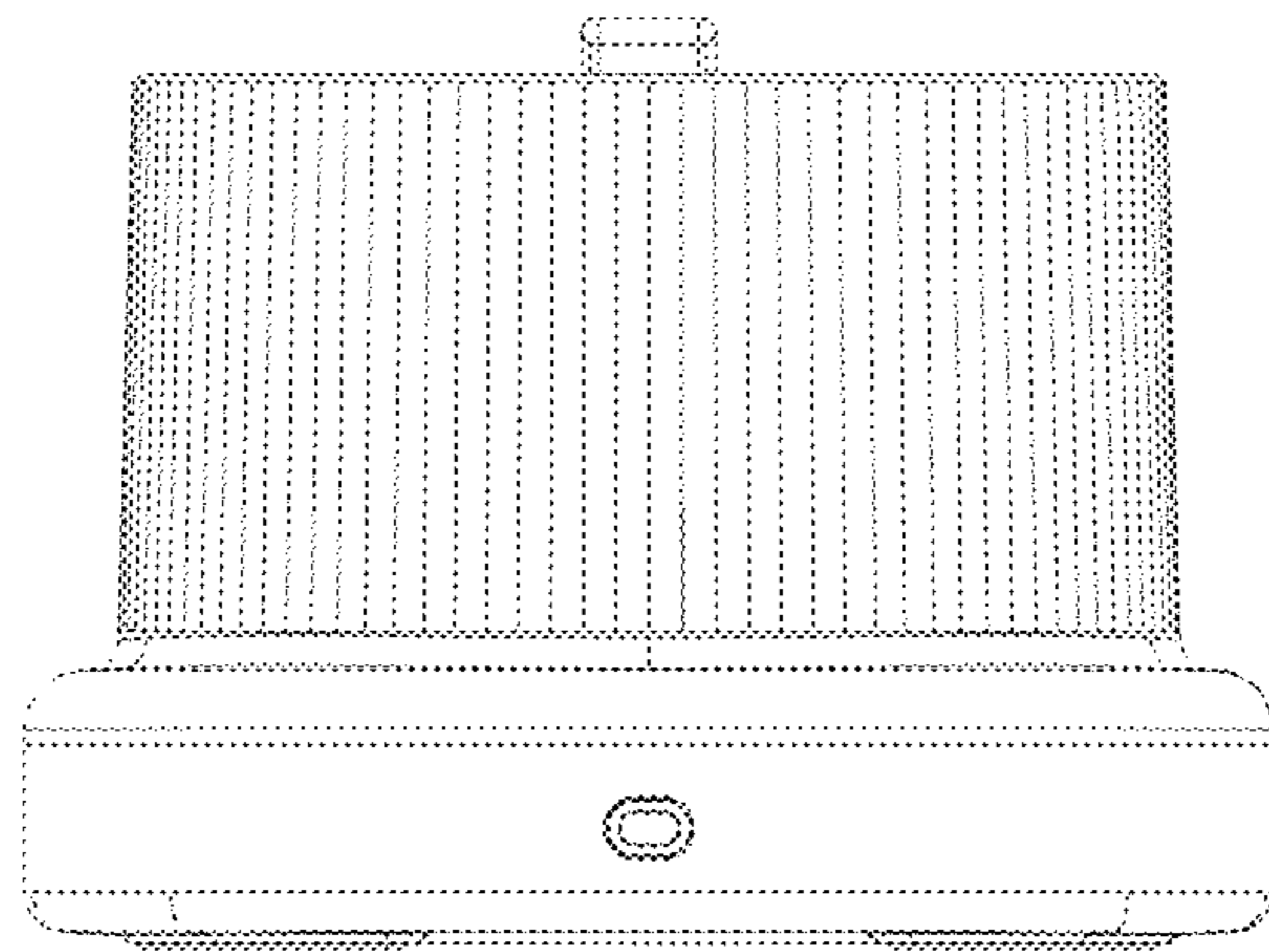


FIG.4

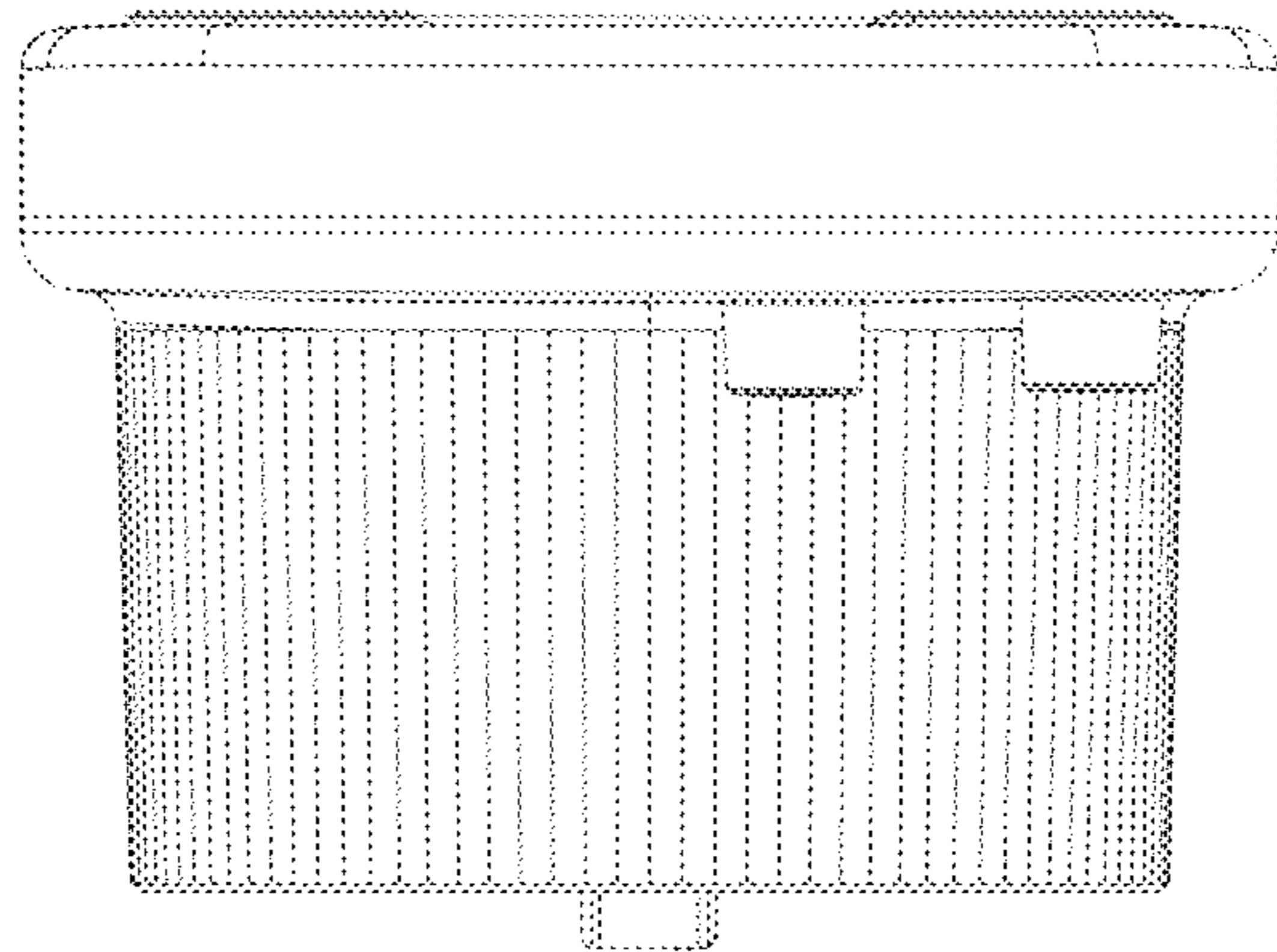


FIG.5

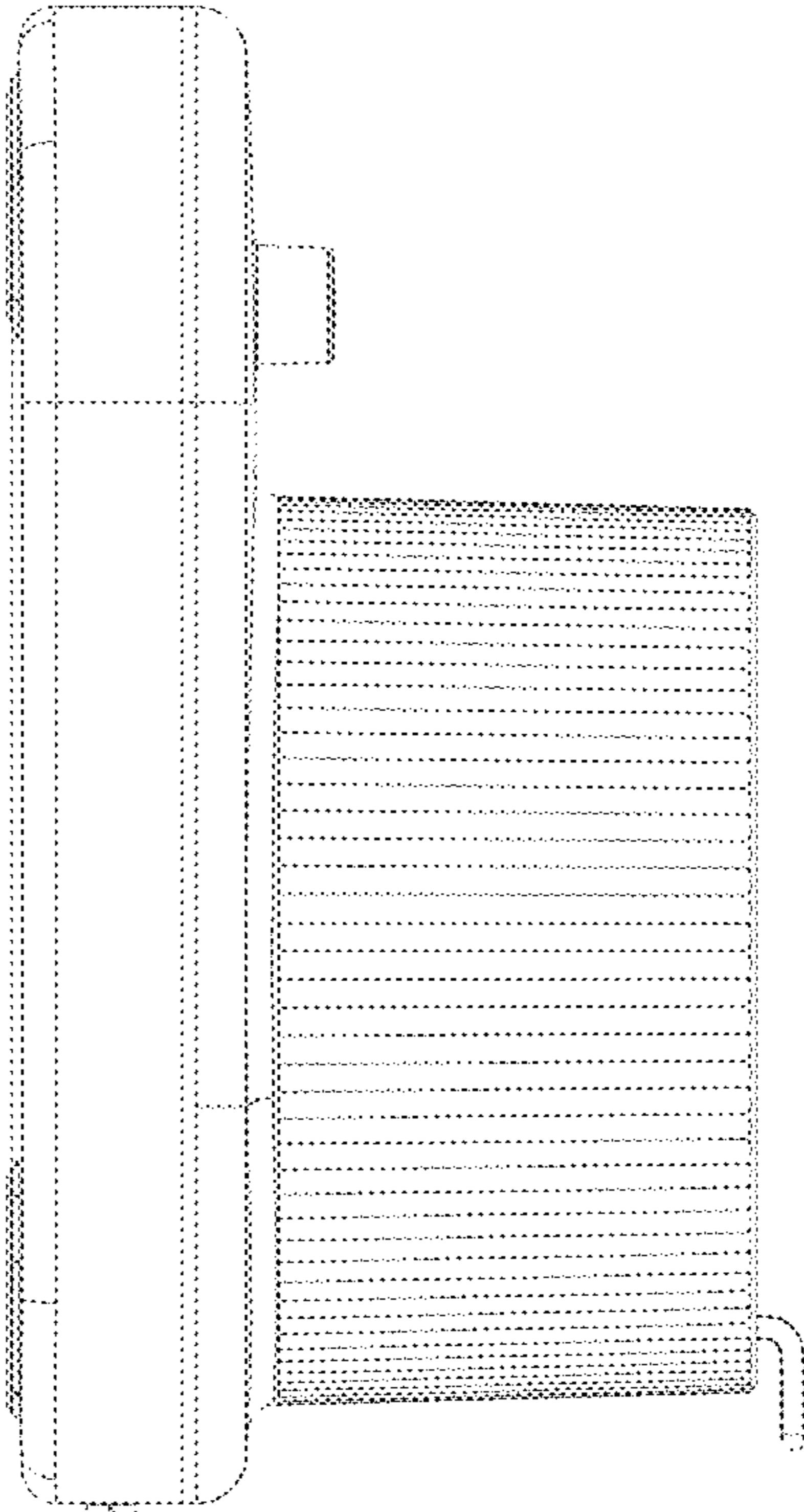


FIG.6

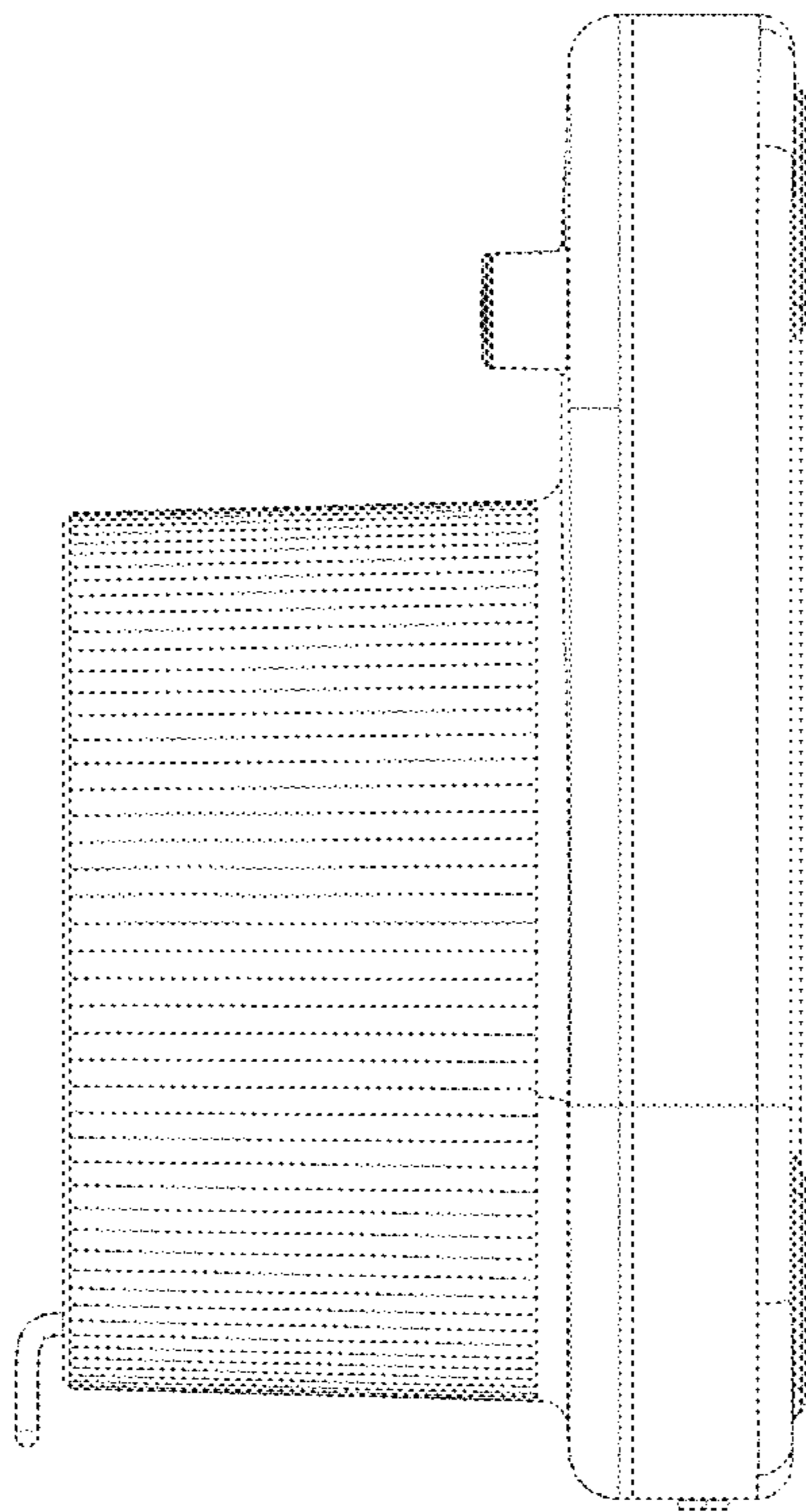


FIG. 7